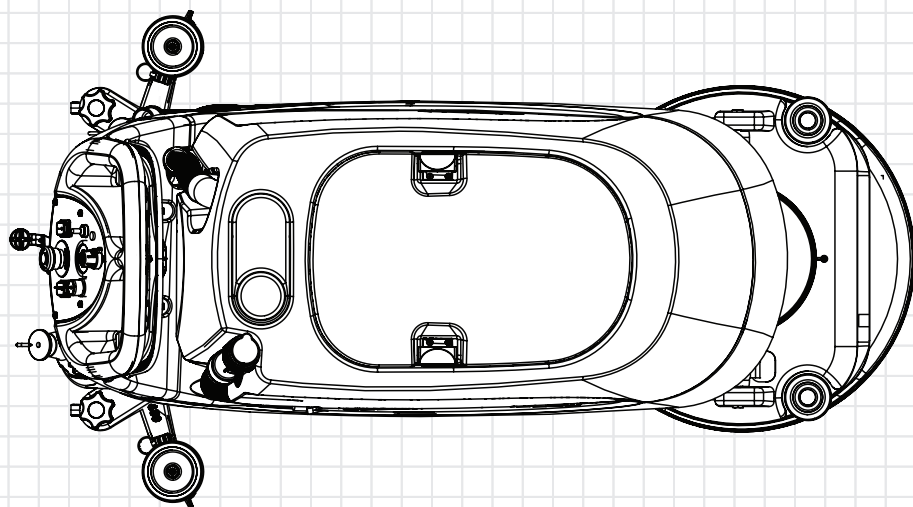
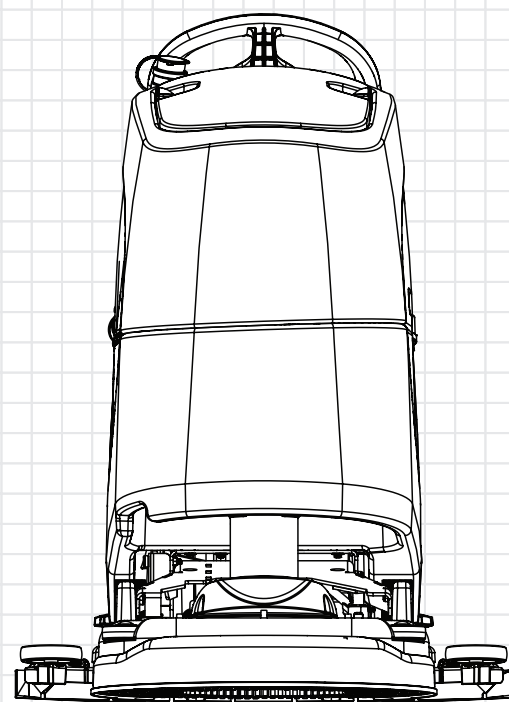
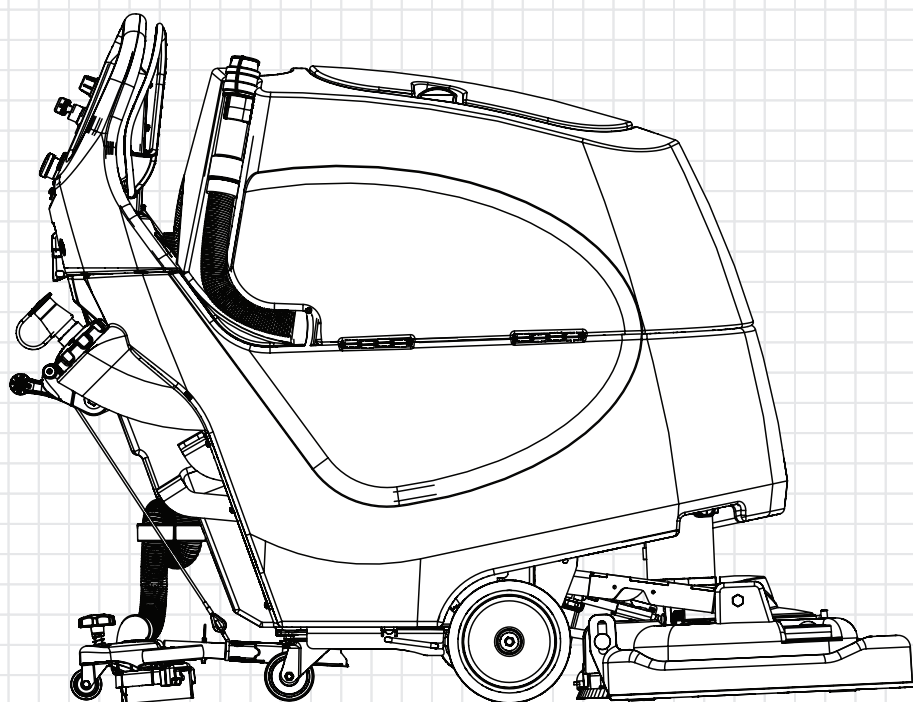


TGB6055T



Service Engineer Exploded Drawings



DISCLAIMER:

These drawings are for part order reference only and intended for service engineers use.

The installation of Genuine Numatic spare parts should only be executed by Certified Numatic service engineers who specialised and familiar with all relevant safety regulations.

Numatic International Ltd do not accept responsibility or liability for any loss or damage to property or person if repairs or servicing of products are carried out by non-certified persons.

Specifications and parts are subject to change without notice.

HAFTUNGSAUSSCHLUSS:**DE**

Diese Zeichnungen dienen nur als Referenz für Teilebestellungen und sind nur für den Gebrauch durch Servicetechniker bestimmt.

Die Montage von originalen Numatic-Ersatzteilen darf nur von zertifizierten Numatic-Servicetechnikern ausgeführt werden, die mit allen relevanten Sicherheitsvorschriften vertraut sind.

Numatic International Ltd übernimmt keine Verantwortung oder Haftung für Verluste oder Schäden an Eigentum oder Personen, wenn Reparaturen oder Wartungsarbeiten an Produkten von nicht zertifizierten Personen durchgeführt werden.

Technische Daten und Teile können ohne vorherige Ankündigung geändert werden.

CLAUDE DE NON-RESPONSABILITÉ:**FR**

Ces schémas sont fournis à titre de référence de commande de pièces uniquement et sont destinés aux techniciens de maintenance.

L'installation de pièces de rechange Numatic d'origine doit être effectuée uniquement par des techniciens de maintenance Numatic certifiés spécialisés et familiarisés avec toutes les règles de sécurité applicables.

Numatic International Ltd décline toute responsabilité en cas de perte ou de dommage matériel ou personnel si des réparations ou l'entretien des produits sont effectués par des personnes non certifiées.

Les spécifications et les pièces sont susceptibles d'être modifiées sans préavis.

DISCLAIMER:**NL**

Deze tekeningen zijn uitsluitend bedoeld als referentie voor het bestellen van onderdelen en voor gebruik door servicemonteurs.

De installatie van originele reserveonderdelen van Numatic mag alleen worden uitgevoerd door gecertificeerde servicemonteurs van Numatic die gespecialiseerd zijn en bekend zijn met alle relevante veiligheidsvoorschriften.

Numatic International Ltd aanvaardt geen verantwoordelijkheid of aansprakelijkheid voor verlies of schade aan eigendommen of personen als reparaties of onderhoud aan producten worden uitgevoerd door niet-gecertificeerde personen.

Specificaties en onderdelen kunnen zonder voorafgaande kennisgeving worden gewijzigd.

RENÚNCIA DE RESPONSABILIDADE:**PT**

Estes desenhos servem apenas como referência para a encomenda de peças e destinam-se a ser utilizados pelos técnicos de assistência.

A instalação de peças sobresselentes genuínas da Numatic só deve ser efetuada por técnicos de assistência certificados da Numatic que se especializem e familiarizem com todos os regulamentos de segurança relevantes.

A Numatic International Ltd não aceita qualquer responsabilidade por perdas ou danos materiais ou pessoais se as reparações ou a manutenção dos produtos forem efetuadas por pessoas não certificadas.

As especificações e as peças estão sujeitas a alterações sem aviso prévio.

ESCLUSIONE DI RESPONSABILITÀ:**IT**

Questi disegni sono forniti solo come riferimento per l'ordine dei componenti e sono destinati all'uso da parte dei tecnici dell'assistenza.

L'installazione di ricambi originali Numatic deve essere eseguita esclusivamente da tecnici dell'assistenza certificati Numatic specializzati e a conoscenza di tutte le norme di sicurezza pertinenti.

Numatic International Ltd non si assume alcuna responsabilità per eventuali perdite o danni alla proprietà o alle persone se le riparazioni o la manutenzione dei prodotti vengono eseguite da persone non certificate.

Le specifiche e le parti sono soggette a modifiche senza preavviso.

EXENCIÓN DE RESPONSABILIDAD:**ES**

Estos esquemas solo se muestran como referencia para pedir piezas y para su uso por parte de ingenieros de mantenimiento.

La instalación de recambios originales de Numatic solo deben realizarla los ingenieros de mantenimiento homologados de Numatic que estén especializados y familiarizados con las normativas de seguridad pertinentes.

Numatic International Ltd no acepta la responsabilidad de cualquier pérdida o daño a la propiedad o a las personas si las reparaciones o el mantenimiento de los productos se llevan a cabo por personas sin certificación.

Las especificaciones y piezas están sujetas a cambios sin previo aviso.

ZASTRZEŻENIE:**PL**

Rysunki te służą wyłącznie do celów referencyjnych podczas zamawiania części i są przeznaczone do użytku przez inżynierów serwisowych.

Montaż oryginalnych części zamiennych Numatic powinien być wykonywany wyłącznie przez certyfikowanych serwisantów firmy Numatic, którzy posiadają odpowiednie kwalifikacje i znają wszystkie odpowiednie przepisy bezpieczeństwa.

Firma Numatic International Ltd nie ponosi odpowiedzialności za jakiegokolwiek straty lub szkody majątkowe i osobiste, jeśli naprawy lub serwisowanie produktów są przeprowadzane przez osoby nieposiadające certyfikatu.

Dane techniczne i części mogą zostać zmienione bez powiadomienia.

FRISKRIVNINGSKLAUSUL:**SV**

Dessa ritningar är endast avsedda för referens vid beställning av reservdelar och är avsedda för servicetekniker.

Installation av originalreservdelar från Numatic får endast utföras av certifierade Numatic-servicetekniker som specialiserar sig på och känner till alla relevanta säkerhetsföreskrifter.

Numatic International Ltd påtar sig inget ansvar för förlust eller skada på egendom eller person om reparationer eller service av produkter utförs av icke-certifierade personer.

Specifikationerna och produktens delar kan ändras utan föregående meddelande.

VASTUUVAPAUCLAUSEKE:**FI**

Nämä piirrokset on tarkoitettu ainoastaan osien tilaamisen avuksi ja ainoastaan huoltoinsinöörin käyttöön. Aitoja Numatic-varaosia saavat asentaa vain sertifioidut Numatic-huoltoinsinöörit, jotka ovat perehtyneet kaikkiin asiaankuuluviin turvamääräyksiin.

Numatic International Ltd ei ole vastuussa mistään omaisuus- tai henkilövahingoista, jos sertifioidut henkilöt ovat korjanneet tai huoltaneet tuotteita.

Teknisiä ominaisuuksia ja osia voidaan muuttaa ilman erillistä ilmoitusta.

ANSVARFRASKRIVELSE:**DA**

Disse tegninger er kun til reference for reservedelsordrer og er beregnet til serviceteknikere.

Montering af originale Numatic-reservedele må kun udføres af certificerede Numatic-serviceteknikere, der er specialiseret i og har kendskab til alle relevante sikkerhedsbestemmelser.

Numatic International Ltd påtager sig intet ansvar for tab eller skade på ejendom eller person, hvis reparationer eller service på produkter foretages af ikke-certificerede personer.

Specifikationer og dele kan ændres uden varsel.

Numatic International Spare Parts

Model No: TGB6055 EXPLODED VIEW : TOP TANK

NB: FOR WIRING SEE DRAWING.

NON-TRACTION MODEL

230V : DRW-21948

120V : DRW-23101

CHARGERLESS : DRW-21949

TRACTION MODEL

230V : DRW-22424

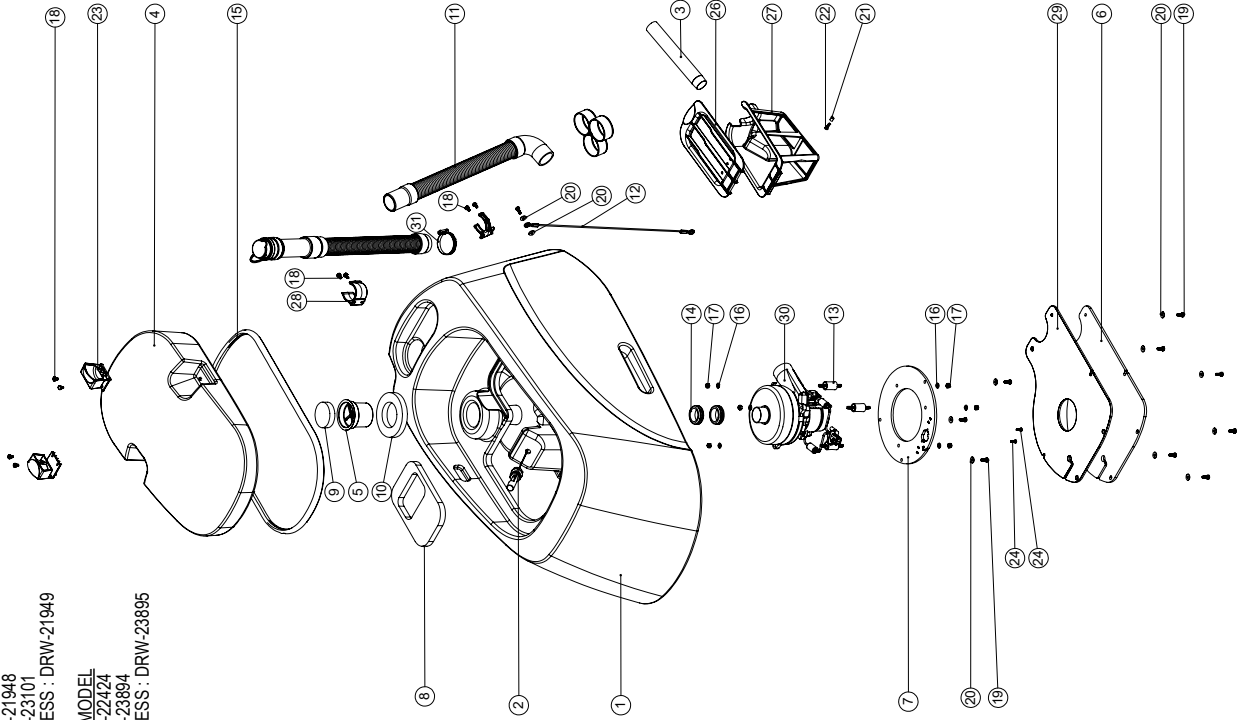
120V : DRW-23894

CHARGERLESS : DRW-23895

903822

DRAWING: DRW-21584 ISS:A18

11/10/2022



Numatic International Spare Parts

Model No: TGB6055 EXPLODED VIEW : TOP TANK

ITEM: PART No:	Description	Comments	QTY
1 902295	TTV4555TTB6055 GREY TOP TANK Moulding CW FLOAT SWITCH & TUBE		1
2 902234	FLOAT SWITCH (N.C.)	903038 SPARE END TIP	1
3 304386	PROCESSED ALUMINIUM WELDED TUBE CUT TO LENGTH (210MM)C6		1
4 902323	TTV4555 GREY SEPARATOR HOOD Moulding		1
5 237688	FOAM FILTER BODY		1
6 902237	VAC MOTOR BOTTTOM PLATE (2 STAGE)		1
7 902236	TANGENTIAL VAC MOTOR BRACKET (PP)		1
8 208950	FLOAT PAD		1
9 208947	INNER FOAM FILTER OUTER FOAM FILTER		1
10 208947	INNER FOAM FILTER OUTER FOAM FILTER		1
11 280021	35MM X 1000MM LONG 3:1 STRETCH HOSE (SHORT & LONG CUFF)		1
12 N/A	495MM LONG LIFTING LINK WIRE (Item: 208204)		1
13 208334	30MM x 20MM ANTI VIBRATION MOUNT		3
14 208144	38MM GROMMET X 6MM PANEL THICKNESS		2
15 391433	TTV4555 SEPARATOR SEALING GASKET CUT TO LENGTH		1
16 219870	M6 FORM A WASHER STAINLESS STEEL		6
17 219842	M6 STAINLESS STEEL NYLON INSERT NUT		6
18 291135	M5 X 10MM LONG STAINLESS STEEL POZI PAN SEMS SCREW		8
19 291132	M5 X 16MM LONG STAINLESS STEEL POZI PAN SEMS SCREW		9
20 219844	M5 FORM G STAINLESS STEEL WASHER		11
21 219508	SPIROL SPACER		1
22 299021	Nø8 X 3/4 INCH LONG SELF TAP POZI PAN SCREW		1
23 902919	CLIP Moulding (RED)		2
24 219569	Nø8 X 1/2 INCH LONG POZI PAN STAINLESS STEEL PLASTITE SCREW		2
25 900903	HOSE CLOSURE REPLACEMENT KIT (ø5MM-38MM STRETCH HOSE)	SPARE PART	1
26 903285	FILTER BASKET LID (RED)		1
27 903283	FILTER BASKET (RED)		1
28 237382	ACETAL HOSE CLIP Moulding		1
29 903628	VAC MOTOR BOTTTOM PLATE LINER		1
30 915802	24V TANGENTIAL DISCHARGE 2-STAGE VAC MOTOR & PLUG ASSEMBLY + CHOKE		1
31 219919	32MM-50MM STAINLESS STEEL HOSE CLIP		1
32 291145	M4 SHAKEPROOF WASHER STAINLESS STEEL		4
33 237754	35-38MM HOSE CLIP		1
34 237718	HOSE GUIDE		1
35 901548	35MM X 250MM STRETCH HOSE (3:1) CW ADJUSTABLE CUFF + CAP		1
36 219547	M5 X 16MM LONG POZI PAN STAINLESS STEEL SCREW		1

Numatic International Spare Parts

Model No: TGB6055T EXPLODED VIEW : BOTTOM TANK

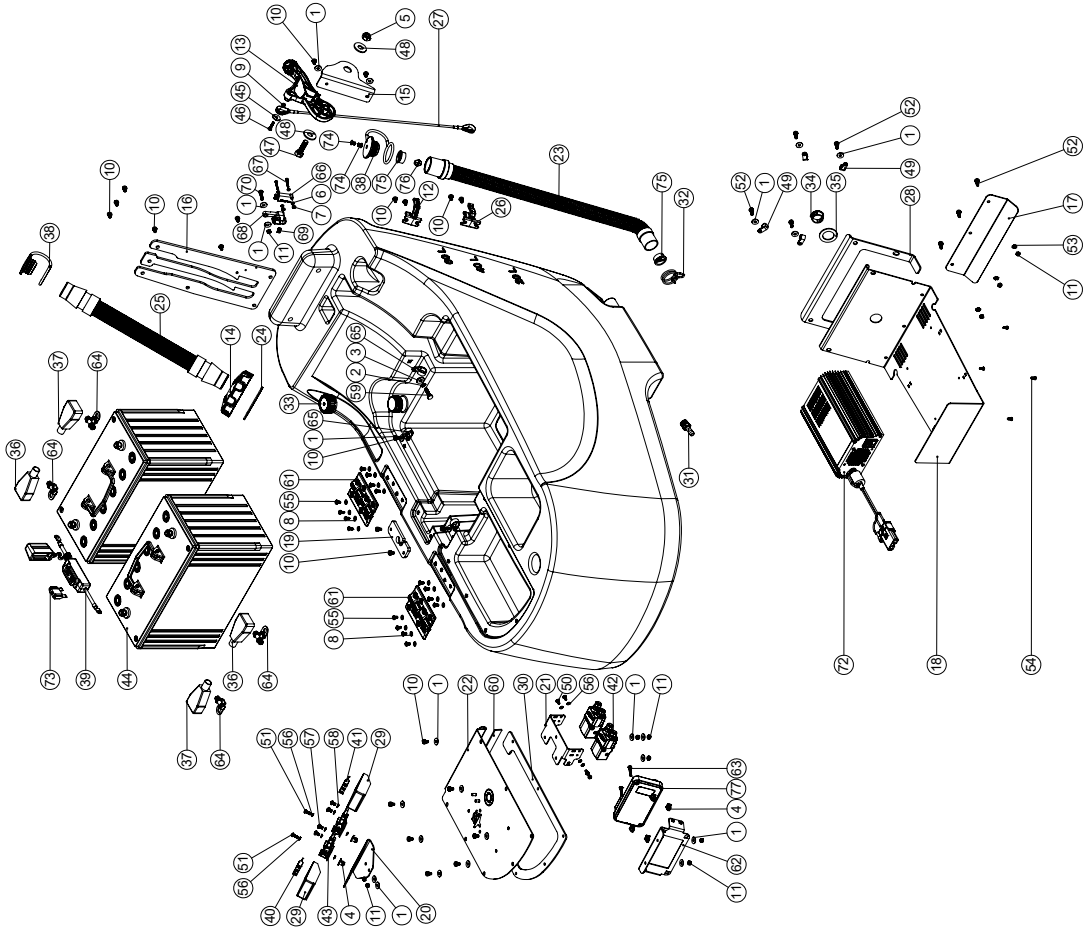
Internal Code: N/A

DRAWING: DRW-21958 ISS:A09

NB: FOR WIRING SEE DRAWING:

230V DRW-22424

120V DRW-23894



Numatic International Spare Parts

Model No: TGB6055T EXPLODED VIEW : BOTTOM TANK

ITEM:	PART No.:	DESCRIPTION	COMMENTS:	QTY.
1	219644	M8 FORM G STAINLESS STEEL WASHER		24
2	902353	M8 EXTERNAL SHAKEPROOF WASHER STAINLESS STEEL		1
3	219647	M6 FORM G STAINLESS STEEL WASHER		1
4	900866	NYLON GROMMET NUT (PLASTIC INSERT TO SUIT No 8 PLASTITE SCREW)		6
5	219697	M10 STAINLESS STEEL NYLON INSERT NUT		1
6	219691	M3 FORM A STAINLESS STEEL WASHER		4
7	291154	M3 NYLON INSERT NUT STAINLESS STEEL		2
8	219355	M8 FORM A STAINLESS STEEL WASHER		16
9	219687	M4 STAINLESS STEEL NYLON INSERT NUT		1
10	291135	M8 X 10MM LONG STAINLESS STEEL POZI PAN SEMS SCREW		23
11	219653	M9 STAINLESS STEEL NYLON INSERT NUT		11
12	237734	35-58MM HOSE CLIP		1
13	902324	RED SQUARE GEE LIFT HANDLE		1
14	237174	FILLER CAP WITH FILLER HOSE HOLE		1
15	903270	FLOOR COIL HANDLE BRACKET Z/PL		1
16	904142	TVASSE GRIP FEEL GUIDE PLATE Z/PL		1
17	902257	CHARGER GRIP FEEL GUIDE PLATE PAINTED SILVER		1
18	902238	ETB6055 GRD CHARGER PLATE PAINTED SILVER		1
19	902238	FUSE BRACKET PAINTED SILVER		1
20	902253	COUPLER BRACKET PAINTED SILVER		1
21	902253	ELECTRONICS PLATE ASSY PAINTED SILVER		1
22	902289	SLIP HOSE		1
23	219644	FILLER CAP SEALING RING		1
24	206342	120MM LONG BLACK STRETCH HOSE C/W CLIFFS		1
25	901916	230MM HOSE CLIP		1
26	208949	LIFTING WIRE TLV4555 / TT8065		1
27	208937	CHARGER PLATE PUNCHED GASKET		1
28	208902	MAXI FUSE HOLDER COVER		2
29	902066	PUMP PLATE GASKET (4555/6065)		2
30	919388	3/8 BSP MALE C/W UNDERCUT & O RING TO 10.5MM HOSETAIL		1
31	902133	SPRING WIRE CLAMP (VDNAC-Y8010356)		1
32	208106	BOTTLE CAP		1
33	206314	WINDOW PLUG		1
34	902328	WINDOW PLUG GASKET		1
35	206936	BLACK BATTERY TERMINAL COVER (415N8V14)		2
36	208935	RED BATTERY TERMINAL COVER (415N8V02)		2
37	903341	32MM HOSE CAP RED (C/W 8MM HOLE)		2
38	903175	IP67 FUSE HOLDER - LITTEL FUSE MAHCO001ZXJB.210.RING.RING		2
39	903175	20 AMP MAXI FUSE		1
40	230104	30 AMP MAXI FUSE		1
41	903736	24V ALBRIGHT CONTACTOR (SU160-2009)		2
42	230102	FUSE HOLDER RATED AT 60 AMPS		2
43	230136	96 AH STUD TERMINAL GEL TYPE BATTERY		2
44	220867	12V TRACTION BLOCK BATTERY		2
45	291118	M6 STAINLESS STEEL WASHER 19MM OD		1
46	219886	M4 X 20MM LONG STAINLESS STEEL POZI PAN MACHINE SCREW		1
47	219895	M10 X 5MM LONG HEXAGONAL STAINLESS STEEL SCREW		2
48	291124	M10 PENNY WASHER STAINLESS STEEL		2
49	219393	P CLIP		4
50	219869	M4 X 8MM LONG POZI PAN STAINLESS STEEL SCREW		2
51	219869	N8 X 1/2 INCH LONG POZI PAN STAINLESS STEEL PLASTITE SCREW		4
52	291132	M5 X 16MM LONG STAINLESS STEEL POZI PAN SEMS SCREW		7
53	291020	M5 STAINLESS STEEL EXTERNAL SHAKEPROOF LOCK WASHER		3
54	902533	N6 X 3/8 INCH LONG POZI PAN SELF TAP SCREW STAINLESS STEEL		4
55	291004	M5 X 10MM LONG STAINLESS STEEL BUTTON HEAD SCREW		16
56	291145	M4 SHAKEPROOF WASHER STAINLESS STEEL		8
57	219864	M5 X 8MM LONG POZI PAN SCREW Z/PL		4
58	219861	M5 SINGLE COIL STAINLESS STEEL WASHER		1
59	902232	M6 X 25MM LONG POZI PAN SCREW STAINLESS STEEL		4
60	902387	3MM X 19MM INSEAL TYPE 3259 (190MM)		1
61	303954	PLASTIC HINGE ASSEMBLY		2
62	904096	MOTOR CONTROLLER BRACKET PAINTED SILVER		2
63	219826	N08 X 1 1/4 INCH LONG POZI DRIVE COUNTERSUNK HEAD SCREW		2
64	902666	BATTERY CONNECTOR (M6 - M10)		4
	220455	BATTERY TERMINAL NEGATIVE (-)	100Ah VERSION	2
	220454	BATTERY TERMINAL POSITIVE (+)	80Ah VERSION	2
	219514	P-CLIP		3
65	219514	IP RATED MICROSWITCH		1
66	208748	M3 X 25MM LONG POZI PAN SCREW STAINLESS STEEL		2
67	904052	CENTRE SWITCH OPERATING LEVER MOULDING		1
68	227587	SWITCH COMPRESSION SPRING		1
69	219804	M5 X 25MM LONG POZI PAN STAINLESS STEEL SCREW		1
70	219575	ETB6055 GREY BOTTOM TANK MOULDING		1
71	902159	ETB6055 GREY BOTTOM TANK MOULDING (EP)	WITH LOGO	1
72	902988	230V/24V/10 AMP HF NORD CHARGER (PROCESSED 185MM LONG WIRING)	WITHOUT LOGO	1
73	903735	120V/24V/10 AMP HF NORD CHARGER (PROCESSED 185MM LONG WIRING)	230V VERSION	1
74	221107	50 AMP MAXI FUSE (RED)	120V VERSION	1
75	904403	BARBED RIVET BLACK		2
76	904109	FLOAT STOP MOULDING		2
77	904459	PROGRAMMED 70A MOTOR CONTROLLER (6055/8572)		1

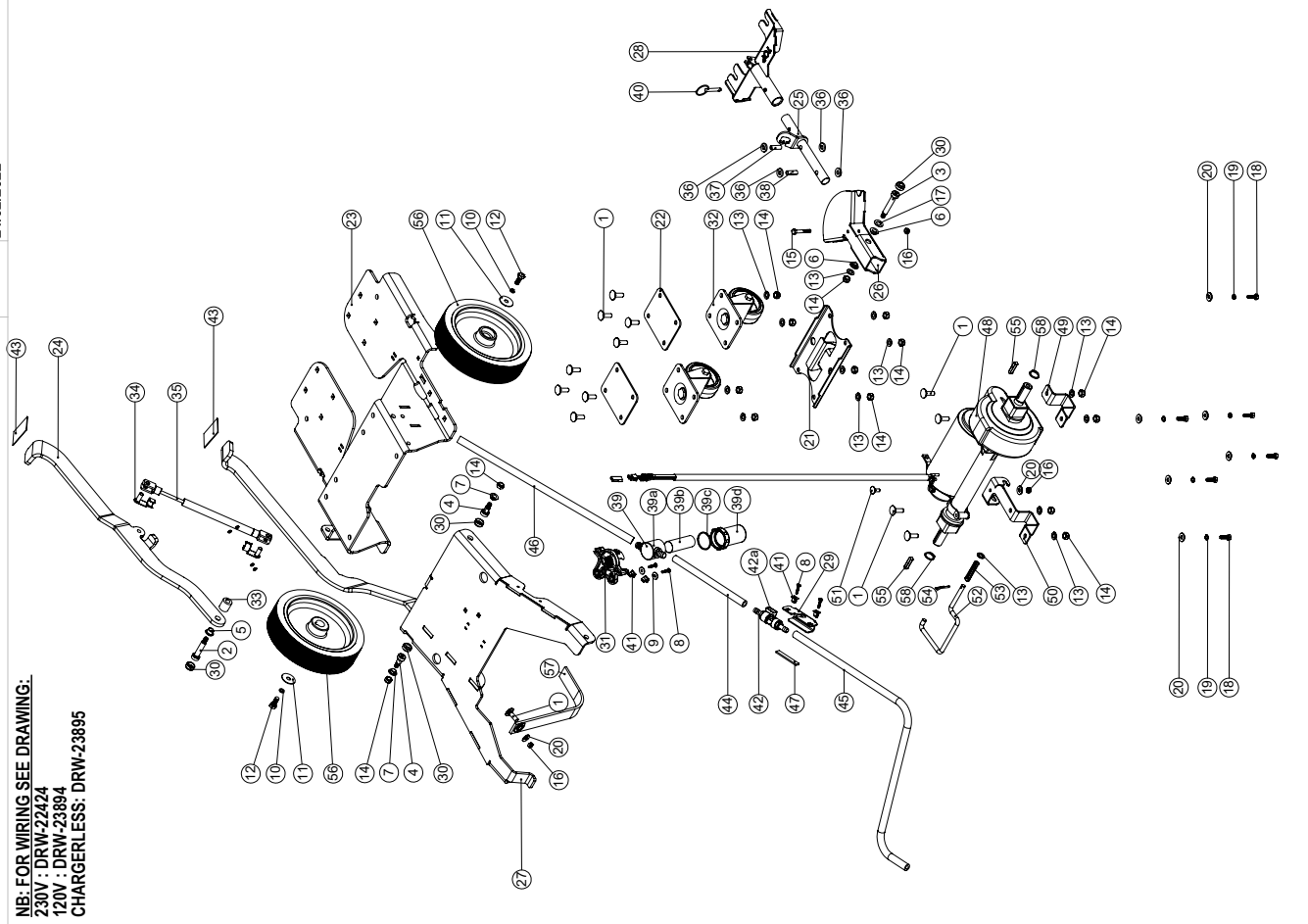
Numatic International Spare Parts

Model No: TGB6055T EXPLODED VIEW : CHASSIS

NB: FOR WIRING SEE DRAWING:
230V : DRW-22424
120V : DRW-23894
CHARGERLESS: DRW-23895

904133

DRAWING: DRW-21956 ISS:A11
24/02/2022



Numatic International Spare Parts

Model No: TGB6055T EXPLODED VIEW : CHASSIS

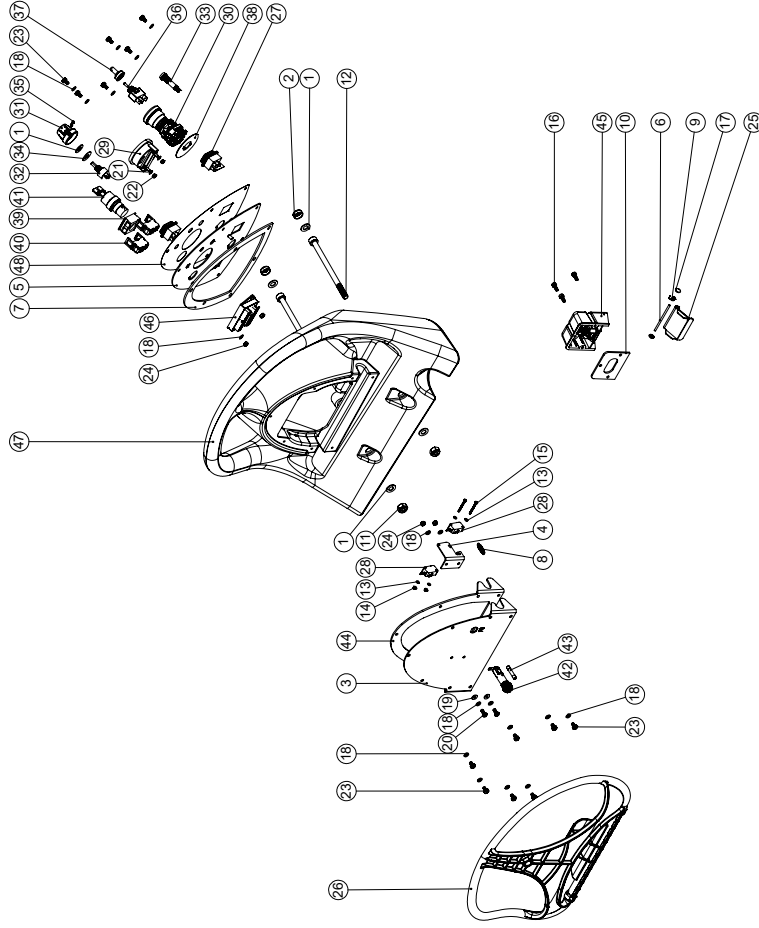
ITEM:	PART No:	DESCRIPTION	COMMENTS:	QTY:
1	902010	M8 X 25 COACH BOLT S/S		13
2	208355	M8 X 10 X 40MM LONG HEX SOCKET SHOULDER BOLT		1
3	208333	M8 X 10 X 50MM LONG HEX SOCKET SHOULDER BOLT		1
4	208313	M8 X 10 X 12MM LONG HEX SOCKET SHOULDER BOLT		2
5	208331	IGUS BEARING (GFM 101209)		1
6	208312	IGUS BEARING (GFM 101205)		2
7	208330	IGUS BEARING (GFM 101206)		2
8	219568	NO8.3/4 INCH LG. POZI-PAN.SCREW.STAINLESS STEEL.PLASTITITE		4
9	219644	M5 FORM G STAINLESS STEEL WASHER		2
10	219898	M8 SINGLE COIL STAINLESS STEEL WASHER		2
11	219877	M8 X 30 STAINLESS STEEL WASHER		2
12	219717	M8 X 20MM LONG HEXAGONAL STAINLESS STEEL BOLT		2
13	219578	M8 FORM A STAINLESS STEEL WASHER		14
14	219639	M8 STAINLESS STEEL NYLON INSERT NUT		15
15	291125	M6 X 40 LONG HEX BOLT STAINLESS STEEL		1
16	219642	M6 STAINLESS STEEL NYLON INSERT HALF NUT		3
17	219903	M10 FORM A STAINLESS STEEL WASHER		1
18	219976	M6 X 20MM LONG HEXAGONAL HEAD SET SCREW		6
19	902353	M6 EXTERNAL SHAKEPROOF WASHER STAINLESS STEEL		6
20	219647	M6 FORM G STAINLESS STEEL WASHER		8
21	904960	FLOOR TOOL LIFTING PIVOT BRACKET WELD ASSY PAINTED SILVER		1
22	329581	CASTOR ADAPTOR SPACER		2
23	904074	TGB6055 TRACTION CHASSIS PAINTED SILVER		1
24	404131	TTV4555 EXTRA LOAD PEDAL ZIPL		1
25	905730	TGB6055 FLOOR TOOL PIVOT TUBE ASSEMBLY		1
26	905728	FLOOR TOOL LIFTING PLATE WELD ASSEMBLY (3MM M/S) ZIPL		1
27	902288	ETB6055 DECK LIFTING LINK ZIPL		1
28	304466	FLOOR TOOL BRACKET ASSEMBLY (TT/TTTB4045/4055)		1
29	902282	TAP BRACKET PAINTED SILVER		1
30	237632	SHOULDER BOLT COVER		4
31	901006	FILTER MOUNTING BRACKET		1
32	N/A	HEAVY DUTY CASTOR. BLUE TYRE (Item:204116)		2
33	208350	NYLON SPACER I/D 10.2MM X O/D 20.0MM X LENGTH 21.0MM		2
34	208634	GAS RAM CLEVIS CLIP		1
35	N/A	280N GAS RAM (Item:208623)		4
36	208964	SLIDE NYLON SPACER		1
37	208963	VERTICAL NYLON SPACER		1
38	208954	SPIRO SPACER		1
39	208888	EXTENDED STRAINER		1
39a	208827	STRAINER BLACK TOP	SPARE PART	1
39b	208889	EXTENDED STRAINER 50 MESH SCREEN	SPARE PART	1
39c	208830	STRAINER GASKET	SPARE PART	1
39d	208890	EXTENDED STRAINER CLEAR BOWL	SPARE PART	1
40	208953	DETENT PINS		1
41	900986	NYLON GROMMET NUT (PLASTIC INSERT TO SUIT No 8 PLASTITITE SCREW)		4
42	208761	10MM HOSE TAIL TO 10MM HOSE TAIL BALL VALVE ASSEMBLY		1
42a	901544	TAP HANDLE C/W COVER AND M3X6MM SCREW (SPARE ITEM)	SPARE PART	1
43	903064	FOOT PEDAL PAD (RED)	903063 CUT TO LENGTH	2
44	303713	SILICONE TUBE (210MM LONG)		1
45	391216	SILICON TUBE 8MM I/D X 3.2MM WALL SECTION (CUT 600MM)		1
46	304443	SILICON TUBE 8MM I/D X 3.2MM WALL SECTION (CUT 420MM)		1
47	902760	3MM THICK X 9MM WIDE INSEAL (212062 X 60MM LONG)		1
48	321700	465MM LONG ASI TRANSAXLE C/W SHORTNED 850MM WIRES		1
49	329497	TRANSAXLE MOUNTING BRACKET		1
50	392217	TTV4555 BRAKE LEVER AND AXLE CLAMP		1
51	291103	M6 X 16 COACH BOLT S/S		1
52	304370	TTV4555 BRAKE LEVER		1
53	219326	50MM LONG COMPRESSION SPRING		1
54	219171	3.2MM X 28MM SPLIT COTTER PIN		1
55	206744	6MM X 6MM X 32MM FEATHER KEY		2
56	204115	200MM X 50MM TRACTION WHEEL - GREY PU TREAD COMBED PROFILE		2
57	903323	ANTI-STATIC STRAP (CUT TO LENGTH: 320MM LONG)		1
58	219889	19MM HEAVY DUTY CIRCLIP		2
59	291145	M4 SHAKEPROOF WASHER STAINLESS STEEL		4

Numatic International Spare Parts

Model No: TGB6055T EXPLODED VIEW : HANDLE

NB: FOR WIRING SEE DRAWING:
230V : DRW-22424
120V : DRW-23894

904132
DRAWING: DRW-21957 ISS A14
05/10/2022



Numatic International Spare Parts

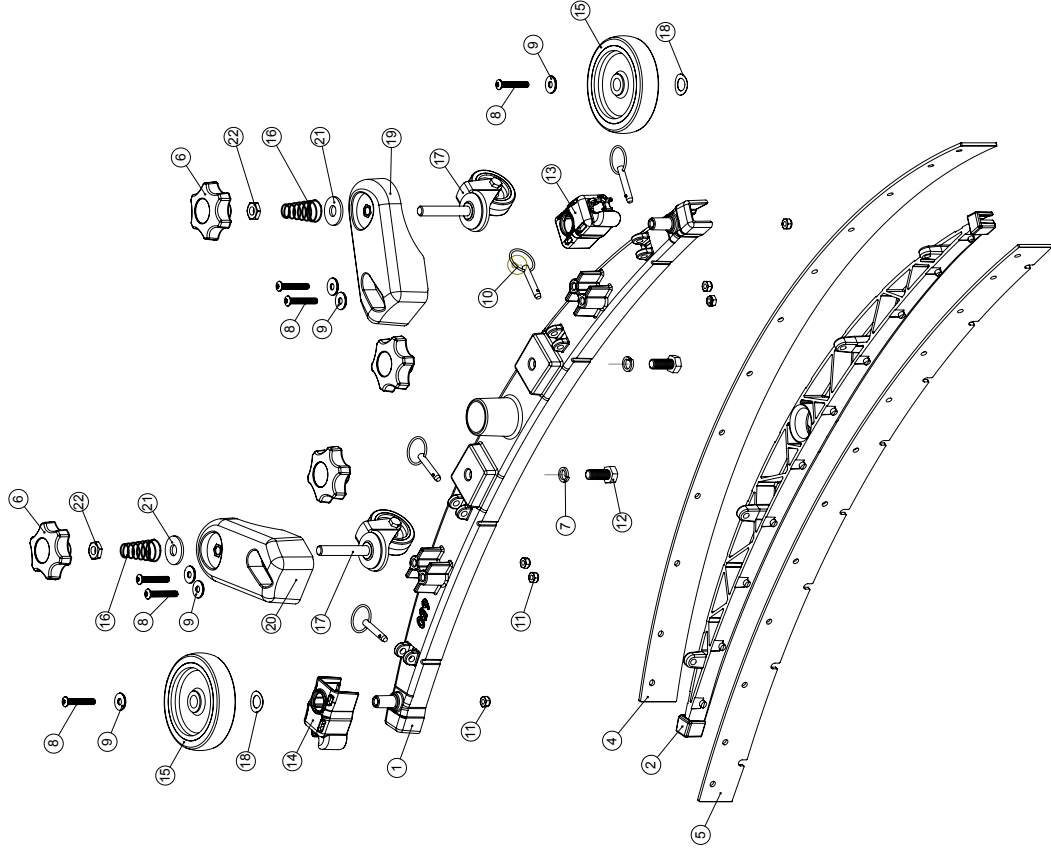
Model No: TGB6055T EXPLODED VIEW : HANDLE

ITEM:	PART No:	DESCRIPTION	COMMENTS:	QTY.
1	219903	M10 FORM A STAINLESS STEEL WASHER		5
2	237632	SHOULDER BOLT COVER		2
3	902283	HANDLE BACK PLATE ETB6055 PAINTED SILVER		1
4	902251	HANDLE MICRO SWITCH BRACKET PAINTED SILVER		1
5	907126	TGB6055T CONTROL PANEL PLATE ASSEMBLY (NEW KEY) PAINTED SILVER		1
6	380979	72MM LONG X 3MM DIAMETER STAINLESS STEEL BAR		1
7	208336	CONTROL PANEL PUNCHED GASKET		1
8	208356	TRIGGER SPRING		1
9	219819	TORSION SPRING		1
10	202105	SOCKET COVER SEALING GASKET		1
11	219897	M10 STAINLESS STEEL NYLON INSERT NUT		2
12	902351	M10 X 150MM LONG SOCKET CAP SCREW STAINLESS STEEL		2
13	219501	M3 FORM A STAINLESS STEEL WASHER		4
14	291154	M3 NYLON INSERT NUT STAINLESS STEEL		2
15	291196	M3 X 30MM LONG POZI PAN SCREW STAINLESS STEEL		2
16	291007	M5 X 12MM LONG STAINLESS STEEL SOCKET CAP SCREW		3
17	219832	3MM DIAMETER STARLOCK		2
18	219355	M5 FORM A STAINLESS STEEL WASHER		19
19	219462	RUBBER WASHER REF NO. 0380810		2
20	219740	M5 X 12MM LONG STAINLESS STEEL POZI PAN SCREW		2
21	219688	M4 FORM A STAINLESS STEEL WASHER		2
22	219687	M4 STAINLESS STEEL NYLON INSERT NUT		2
23	291135	M5 X 10MM LONG STAINLESS STEEL POZI PAN SEMS SCREW		13
24	219633	M5 STAINLESS STEEL NYLON INSERT NUT		4
25	227781	FLAP MOULDING		1
26	902325	RED HANDLE TRIGGER MOULDING		1
27	902235	SWITCH DPST RED ILLUMINATED WITH MEMBRANE 24V		2
28	208391	SNAP ACTION SWITCH		2
29	914620	BATTERY HOURS METER NE306	O-RING INCLUDED	1
30	902532	BATTERY DISCHARGE INDICATOR + HOUR METER 24V		1
31	904087	EMERGENCY STOP (XW1E-BV412MFR)		1
32	903488	SPEED ADJUSTMENT KNOB CW INSERT (RED)		1
33	270291	POTENTIOMETER TYPE P630,22k OHMS 20% 3W (WITH PANEL SEAL) (ROUND SHAFT WITH FLAT / NO SLOT IN SHAFT END)		1
34	904094	SPEED CONTROL GASKET		1
35	219744	M4 X 6MM LONG BLACKODISED GRUB SCREW		2
36	206786	SWITCH		1
37	206785	SWITCH COVER CW NUT		1
38	904086	EMERGENCY STOP NAME PLATE (HWAV-27-Y)		1
39	907150	FIXING ADAPTER (020G)		1
40	907151	TERMINAL BLOCK N.O. (020E10)		2
41	907149	KEY SWITCH SELECTOR (020SCA1)	907208 SPARE KEYS	1
42	903032	BULGIN PANEL MOUNT FUSEHOLDER		1
43	903066	FUSE 2.5A (6.3x32)		1
44	903062	HANDLE BACK PLATE GASKET		1
45	904030	240V EMI FILTER WITH SOCKET COVER ASSEMBLY (PROCESSED)	240V VERSION	1
	904031	120V EMI FILTER WITH SOCKET COVER ASSEMBLY (PROCESSED)	120V VERSION	1
46	904179	Terminal Block Assembly		1
47	304442	PROCESSED TTV5565 GREY HANDLE Moulding		1
48	904766	TGB6055T (TGB1620T) CONTROL PANEL OVERLAY		1

Numatic International Spare Parts
Model No: 650 TWINTEC ALUMINIUM FLOOR TOOL (38MM HOSE, RED TRIM, SERILOR BLADES)

903347
 DRAWING: DRW-22621 ISS:A09
 PRO
 27/03/2018

NB: FOR WIRING SEE DRAWING: N/A



Numatic International Spare Parts
Model No: 650 TWINTEC ALUMINIUM FLOOR TOOL (38MM HOSE, RED TRIM, SERILOR BLADES)

ITEM:	PART No:	Description	Qty
1	208198	(650MM SCRUB WIDTH) ALUMINIUM SQUEEGEE CASTING (38MM HOSE FITTING)	1
2	903345	(650MM SCRUB WIDTH) RED BLADE HOLDER Moulding (SLOPING PROFILE) (32MM & 38MM HOSE FITTING)	1
	900518	650 REPLACEMENT SERILOR GREEN POLYURETHANE BLADES SET	
4	208970	(650MM SCRUB WIDTH) REPLACEMENT (4.0MM / 35-45 SHORE A) REAR LAMINATED SERILOR POLYBLADE (847MM LONG)	1
5	208987	(650MM SCRUB WIDTH) REPLACEMENT (3.2MM / 40 SHORE A) FRONT MONOLAYER SERILOR POLYBLADE (819MM LONG)	1
6	903281	M10 LOBE KNOB (RED)	4
7	219889	M10 SINGLE COIL STAINLESS STEEL WASHER	2
8	219933	M6 X 35MM SOCKET BUTTON HEAD BOLT STAINLESS STEEL	6
9	219647	M6 FORM G STAINLESS STEEL WASHER	6
10	206953	DETENT PINS	4
11	219642	M6 STAINLESS STEEL NYLON INSERT NUT	6
12	219909	M10 X 25MM LONG HEXAGONAL STAINLESS STEEL SCREW	2
13	237322	RIGHT HAND FLOOR TOOL CLIP Moulding	1
14	237323	LEFT HAND FLOOR TOOL CLIP Moulding	1
15	208796	4 INCH WHEEL	2
16	229175	CONICAL SPRING	2
17	907759	50MM DIAMETER GREY TPR TYRED SWIVEL CASTOR C/W M10 X 60 SWAGED STEM.	2
18	219891	13MM WAVEY WASHER	2
19	906860	ADJUSTABLE FLOOR TOOL CASTOR PLASTIC PLATE LEFT	1
20	906859	ADJUSTABLE FLOOR TOOL CASTOR PLASTIC PLATE RIGHT	1
21	291124	M10 PENNY WASHER STAINLESS STEEL	2
22	219951	A4 (STAINLESS STEEL) M10 HEX LOCK NUT (HALF NUT)	2

Numatic International Spare Parts

Model No: TGB6055 EXPLODED VIEW : BRUSH DECK

NB: FOR WIRING SEE DRAWING.

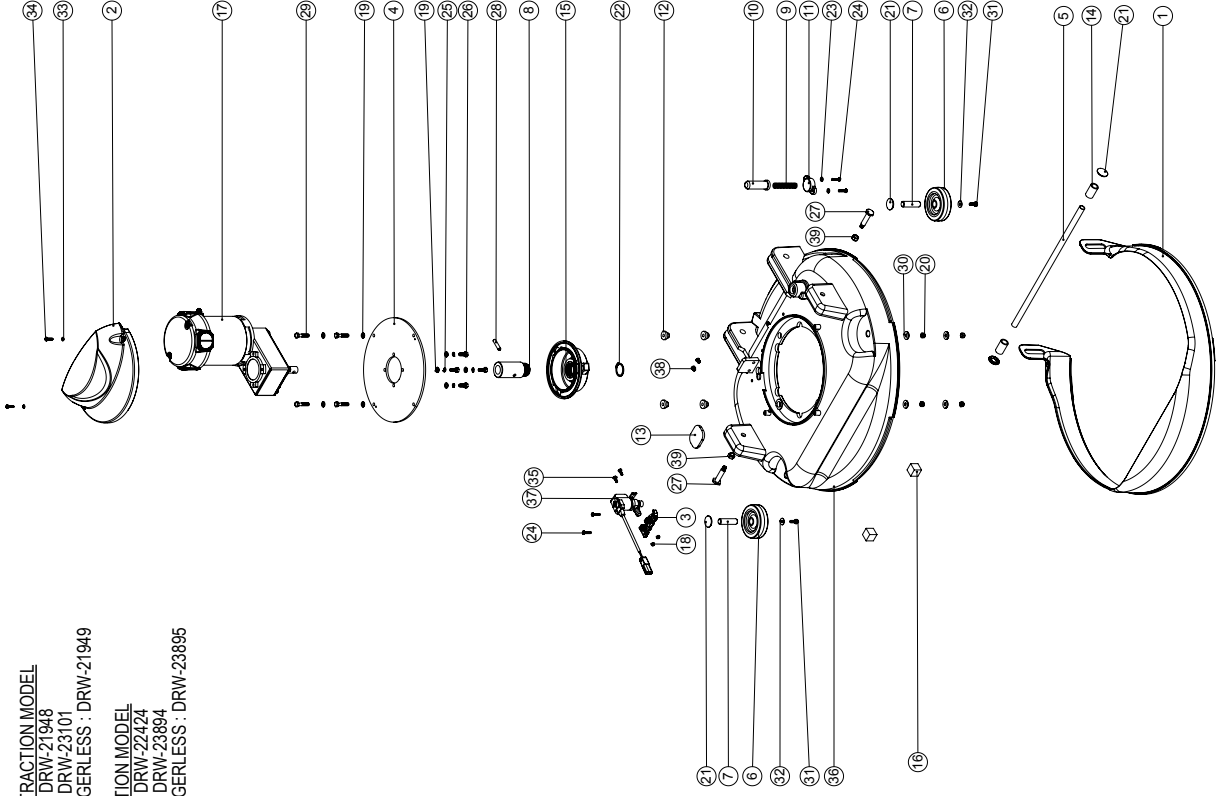
NON-TRACTION MODEL
230V : DRW-21948
120V : DRW-23101
CHARGERLESS : DRW-21949

TRACTION MODEL
230V : DRW-22424
120V : DRW-23894
CHARGERLESS : DRW-23895

Internal Code:

PRO

DRAWING: DRW-21591 ISSA17
18/10/2018



Numatic International Spare Parts

Model No: TGB6055 EXPLODED VIEW : BRUSH DECK

ITEM: PART No:	Description	Comments	QTY
1	229562 SPLASH SKIRT MOULDING		1
2	237380 AMER MOTOR COVER		1
3	902556 SOLENOID MOUNT MOULDING		1
4	404166 TTB4045/4055 AMER MOTOR ADAPTOR PLATE PAINT SILVER GREY		1
5	391439 1/2 INCH DIAMETER X 18G STAINLESS STEEL TUBE (0.375)		1
6	204068 3 INCH GREY WHEEL		2
7	206013 BUFFER WHEEL PIN		2
8	208727 DRIVE SHAFT		1
9	219692 COMPRESSION SPRING		1
10	229128 PLUNGER		1
11	223242 PLUNGER MOUNTING PLATE MOULDING		1
12	229285 MOTOR MOUNTING SPACER		4
13	202098 FOOT PEDAL PAD		1
14	208769 NATUARL NYLON SPACER (12.8x18x30)		2
15	230207 DIE CAST CHUCK MACHINED		1
16	902352 FOAM SPACER 20MM		2
17	205245 AMER 100RPM MOTOR	230222 CARBON BRUSHES (SET)	1
18	219687 IM4 STAINLESS STEEL NYLON INSERT NUT		2
19	219870 IM6 FORM A WASHER STAINLESS STEEL		8
20	219642 IM6 STAINLESS STEEL NYLON INSERT NUT		4
21	204021 12.7MM STAINLESS STEEL HUB CAP		4
22	230048 26MM EXTERNAL CIRCLIP		1
23	219355 IM5 FORM A STAINLESS STEEL WASHER		2
24	219568 NC08.34 INCH LG. POZI-PAN SCREW STAINLESS STEEL PLASTITE		4
25	219718 WASHER M6 SPRING STAINLESS STEEL		4
26	219719 IM6 X 16MM LONG HEXAGONAL STAINLESS STEEL HEAD BOLT		4
27	206236 PIVOT PIN		2
28	291079 6MM X 30MM STAINLESS STEEL ROLL PIN		1
29	291022 IM6 X 30MM LONG STAINLESS STEEL HEXAGONAL HEAD BOLT		4
30	219647 IM6 FORM G STAINLESS STEEL WASHER		4
31	291132 IM5 X 16MM LONG STAINLESS STEEL POZI PAN SEMS SCREW		2
32	219644 IM5 FORM G STAINLESS STEEL WASHER		2
33	291145 IM4 SHAKEPROOF WASHER STAINLESS STEEL		6
34	219862 IM4 X 16MM LONG POZI PAN STAINLESS STEEL SCREW		2
35	219890 IM4 X 12MM LONG POZI PAN STAINLESS STEEL SCREW		2
36	304445 6055 BASE MOULDING		1
37	902949 TERMINATED SOLONOID CABLE BLACK.125.0M5.2.24		1
38	219009 IM4 BRASS TAPPEX INSERT		2
39	219639 IM8 STAINLESS STEEL NYLON INSERT NUT		2

Numatic International Limited (Head Office)

Chard, Somerset TA20 2GB, UNITED KINGDOM

Tel: 01460 68600 numatic.com

Numatic International GmbH

Fränkische Straße 15-19, 30455 Hannover, DEUTSCHLAND

Tel: +49 (0) 511 984 2160 numatic.de

Numatic International Denmark

Fränkische Straße 15-19, 30455 Hannover, DEUTSCHLAND

Tel: +45 (0) 316 40808 numatic-online.dk

Numatic International S.A.S

13/17 rue du Valengelier, EAE la Tuilerie, 77500 Chelles, FRANCE

Tel: +33 (0) 164 726 161 numatic.fr

Numatic International BV

Vennootsweg 15, 2404 CG, Alphen aan den Rijn, NEDERLAND

Tel: +31 (0) 172 467 999 numatic.nl

Numatic International Schweiz AG.

Sihlbruggstrasse 3A, 6340 Baar, SCHWEIZ

Tel: +41 (0) 41 768 0760 numatic.ch

Numatic International (PTY) Ltd.

Cnr. 16th & Pharmaceutical Road, Randjes Park, Midrand 1685, SOUTH AFRICA

Tel: +27 (0) 861 686 284 numatic.co.za

Numatic International ULDA

Rua Francisco da Silva Duarte, nº79,

4475-269 Santa Maria de Avioso, Castelo da Maia, PORTUGAL

Tel: +351 220 047 700 numatic.pt

Numatic International Spain, S.L.U.

Av. Baix Llobregat, 5-7, Oficina bajos 1 (Parc Negocis Mas Blau II)

08820 El Prat de Llobregat (Barcelona), SPAIN

Tel: +34 93 647 22 22 numatic.es

Numatic International Italy S.R.L

Via Luigi Galvani, 2, Z.I. Talponedo, 33080 Porcia (PN), ITALY

Tel: +39 (0) 434 046 211 numatic.it