

### **NUC244NX Snap Clip Upgrade**

For reasons of continuous improvement Numatic has implemented the following upgrade for NUC244NX machines.

This upgrade is the replacement of 910965 Snap clip with an improved silicon O-ring 915418.

This is to increase durability and is an integral part of the chuck assembly.

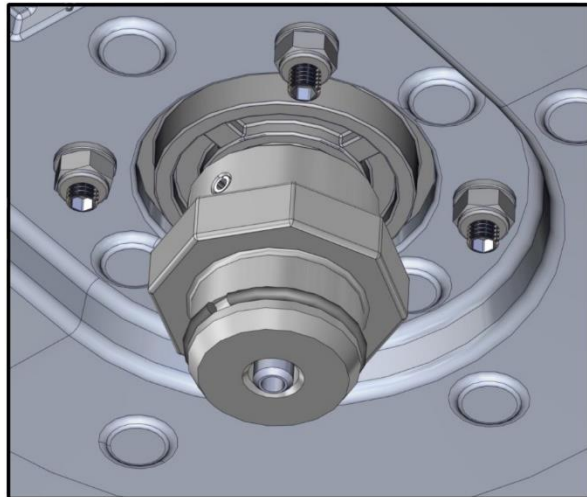
**Please note:** This is not a critical update it is a product improvement.

If your model is an earlier version or is currently fitted with the 910965 Snap clip, and you have not had any failures with this part, then no further action is required.

Any failures to this part will be covered under normal Terms and conditions of your warranty document.

Please note that PT No.910965 is no longer available. When ordering a replacement please request 915735 O-ring kit as the alternative upgrade.

**901965 EXTERNAL SNAP RING**  
*is being replaced with*  
**915735 NUC 244NX REPLACEMENT O-RING KIT**



View 915735 Upgrade Instruction All languages