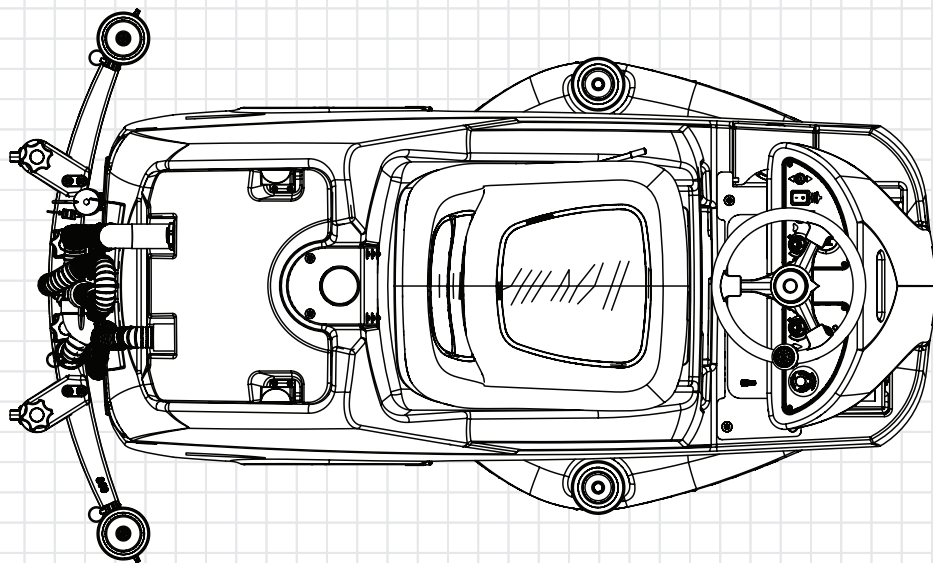
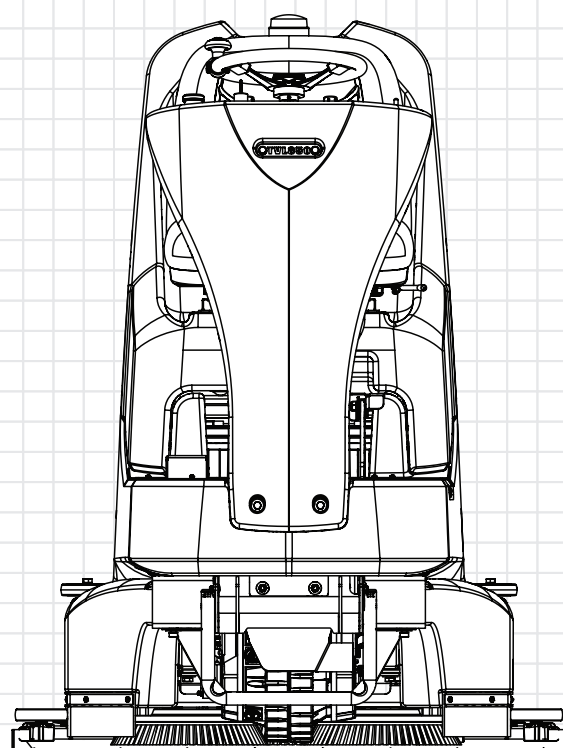
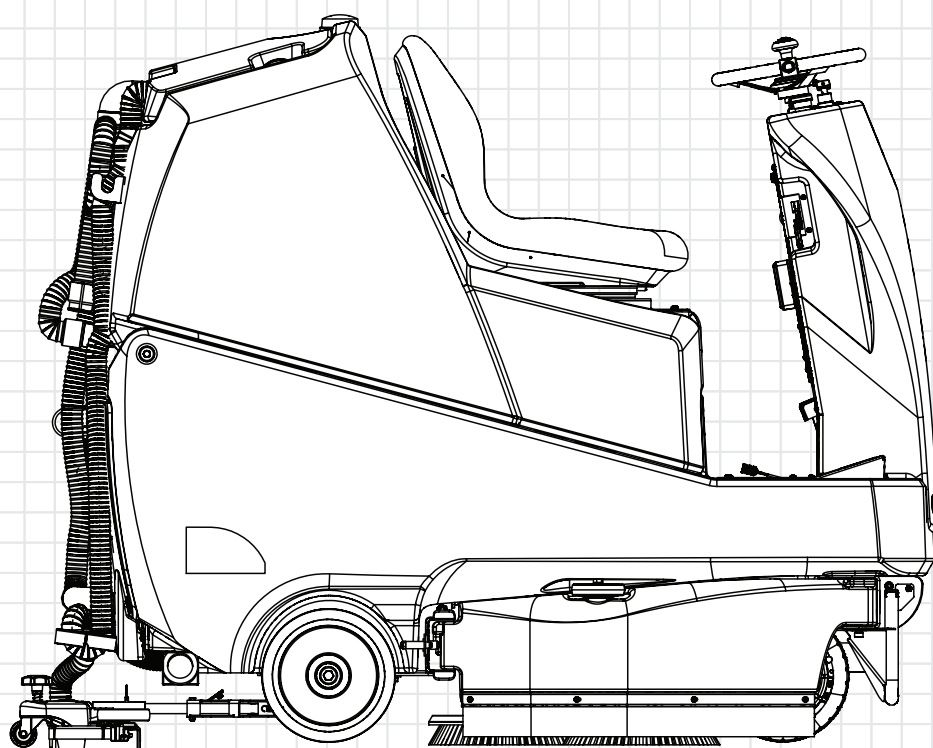


# TVL850



## Service Engineer Exploded Drawings



### DISCLAIMER:

These drawings are for part order reference only and intended for service engineers use.

The installation of Genuine Numatic spare parts should only be executed by Certified Numatic service engineers who specialised and familiar with all relevant safety regulations.

Numatic International Ltd do not accept responsibility or liability for any loss or damage to property or person if repairs or servicing of products are carried out by non-certified persons.

Specifications and parts are subject to change without notice.

**HAFTUNGSAUSSCHLUSS:****DE**

Diese Zeichnungen dienen nur als Referenz für Teilebestellungen und sind nur für den Gebrauch durch Servicetechniker bestimmt.

Die Montage von originalen Numatic-Ersatzteilen darf nur von zertifizierten Numatic-Servicetechnikern ausgeführt werden, die mit allen relevanten Sicherheitsvorschriften vertraut sind.

Numatic International Ltd übernimmt keine Verantwortung oder Haftung für Verluste oder Schäden an Eigentum oder Personen, wenn Reparaturen oder Wartungsarbeiten an Produkten von nicht zertifizierten Personen durchgeführt werden.

Technische Daten und Teile können ohne vorherige Ankündigung geändert werden.

**CLAUDE DE NON-RESPONSABILITÉ:****FR**

Ces schémas sont fournis à titre de référence de commande de pièces uniquement et sont destinés aux techniciens de maintenance.

L'installation de pièces de rechange Numatic d'origine doit être effectuée uniquement par des techniciens de maintenance Numatic certifiés spécialisés et familiarisés avec toutes les règles de sécurité applicables.

Numatic International Ltd décline toute responsabilité en cas de perte ou de dommage matériel ou personnel si des réparations ou l'entretien des produits sont effectués par des personnes non certifiées.

Les spécifications et les pièces sont susceptibles d'être modifiées sans préavis.

**DISCLAIMER:****NL**

Deze tekeningen zijn uitsluitend bedoeld als referentie voor het bestellen van onderdelen en voor gebruik door servicemonteurs.

De installatie van originele reserveonderdelen van Numatic mag alleen worden uitgevoerd door gecertificeerde servicemonteurs van Numatic die gespecialiseerd zijn en bekend zijn met alle relevante veiligheidsvoorschriften.

Numatic International Ltd aanvaardt geen verantwoordelijkheid of aansprakelijkheid voor verlies of schade aan eigendommen of personen als reparaties of onderhoud aan producten worden uitgevoerd door niet-gecertificeerde personen.

Specificaties en onderdelen kunnen zonder voorafgaande kennisgeving worden gewijzigd.

**RENÚNCIA DE RESPONSABILIDADE:****PT**

Estes desenhos servem apenas como referência para a encomenda de peças e destinam-se a ser utilizados pelos técnicos de assistência.

A instalação de peças sobresselentes genuínas da Numatic só deve ser efetuada por técnicos de assistência certificados da Numatic que se especializem e familiarizem com todos os regulamentos de segurança relevantes.

A Numatic International Ltd não aceita qualquer responsabilidade por perdas ou danos materiais ou pessoais se as reparações ou a manutenção dos produtos forem efetuadas por pessoas não certificadas.

As especificações e as peças estão sujeitas a alterações sem aviso prévio.

**ESCLUSIONE DI RESPONSABILITÀ:****IT**

Questi disegni sono forniti solo come riferimento per l'ordine dei componenti e sono destinati all'uso da parte dei tecnici dell'assistenza.

L'installazione di ricambi originali Numatic deve essere eseguita esclusivamente da tecnici dell'assistenza certificati Numatic specializzati e a conoscenza di tutte le norme di sicurezza pertinenti.

Numatic International Ltd non si assume alcuna responsabilità per eventuali perdite o danni alla proprietà o alle persone se le riparazioni o la manutenzione dei prodotti vengono eseguite da persone non certificate.

Le specifiche e le parti sono soggette a modifiche senza preavviso.

**EXENCIÓN DE RESPONSABILIDAD:****ES**

Estos esquemas solo se muestran como referencia para pedir piezas y para su uso por parte de ingenieros de mantenimiento.

La instalación de recambios originales de Numatic solo deben realizarla los ingenieros de mantenimiento homologados de Numatic que estén especializados y familiarizados con las normativas de seguridad pertinentes.

Numatic International Ltd no acepta la responsabilidad de cualquier pérdida o daño a la propiedad o a las personas si las reparaciones o el mantenimiento de los productos se llevan a cabo por personas sin certificación.

Las especificaciones y piezas están sujetas a cambios sin previo aviso.

**ZASTRZEŻENIE:****PL**

Rysunki te służą wyłącznie do celów referencyjnych podczas zamawiania części i są przeznaczone do użytku przez inżynierów serwisowych.

Montaż oryginalnych części zamiennych Numatic powinien być wykonywany wyłącznie przez certyfikowanych serwisantów firmy Numatic, którzy posiadają odpowiednie kwalifikacje i znają wszystkie odpowiednie przepisy bezpieczeństwa.

Firma Numatic International Ltd nie ponosi odpowiedzialności za jakiegokolwiek straty lub szkody majątkowe i osobiste, jeśli naprawy lub serwisowanie produktów są przeprowadzane przez osoby nieposiadające certyfikatu.

Dane techniczne i części mogą zostać zmienione bez powiadomienia.

**FRISKRIVNINGSKLAUSUL:****SV**

Dessa ritningar är endast avsedda för referens vid beställning av reservdelar och är avsedda för servicetekniker.

Installation av originalreservdelar från Numatic får endast utföras av certifierade Numatic-servicetekniker som specialiserar sig på och känner till alla relevanta säkerhetsföreskrifter.

Numatic International Ltd påtar sig inget ansvar för förlust eller skada på egendom eller person om reparationer eller service av produkter utförs av icke-certifierade personer.

Specifikationerna och produktens delar kan ändras utan föregående meddelande.

**VASTUUVAPAUCLAUSEKE:****FI**

Nämä piirrokset on tarkoitettu ainoastaan osien tilaamisen avuksi ja ainoastaan huoltoinsinöörien käyttöön. Aitoja Numatic-varaosia saavat asentaa vain sertifioidut Numatic-huoltoinsinöörit, jotka ovat perehtyneet kaikkiin asiaankuuluviin turvamääräyksiin.

Numatic International Ltd ei ole vastuussa mistään omaisuus- tai henkilövahingoista, jos sertifioidut henkilöt ovat korjanneet tai huoltaneet tuotteita.

Teknisiä ominaisuuksia ja osia voidaan muuttaa ilman erillistä ilmoitusta.

**ANSVARFRASKRIVELSE:****DA**

Disse tegninger er kun til reference for reservedelsordrer og er beregnet til serviceteknikere.

Montering af originale Numatic-reservedele må kun udføres af certificerede Numatic-serviceteknikere, der er specialiseret i og har kendskab til alle relevante sikkerhedsbestemmelser.

Numatic International Ltd påtager sig intet ansvar for tab eller skade på ejendom eller person, hvis reparationer eller service på produkter foretages af ikke-certificerede personer.

Specifikationer og dele kan ændres uden varsel.

# Numatic International Spare Parts

**Model No :** TOP TANK ASSEMBLY (TRG)

908971  
DRAWING: DRW-28731 ISS:A18  
13/10/2023

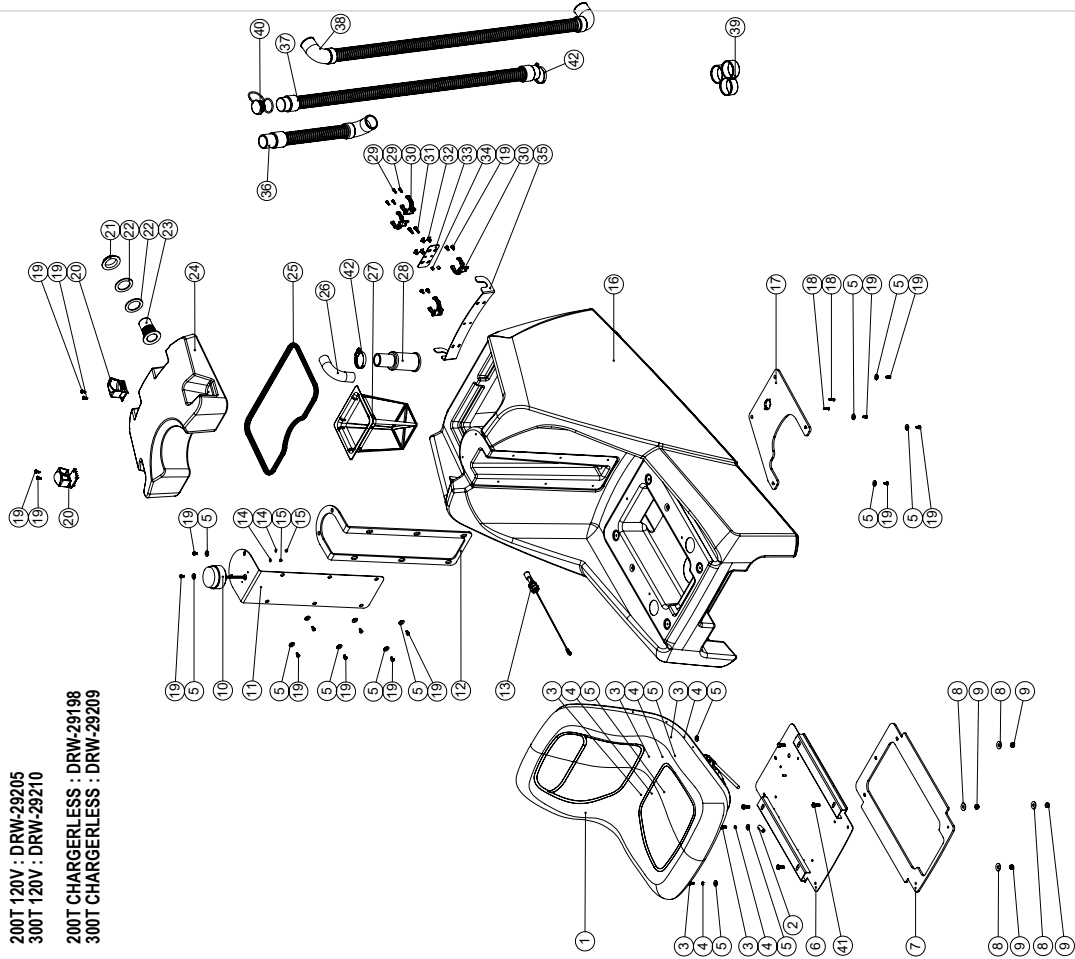
NB: FOR WIRING SEE DRAWING: WD-0???

NB: FOR WIRING SEE DRAWING:

200T 230V : DRW-28869  
300T 230V : DRW-29208

200T 120V : DRW-29205  
300T 120V : DRW-29210

200T CHARGERLESS : DRW-29198  
300T CHARGERLESS : DRW-29209



# Numatic International Spare Parts

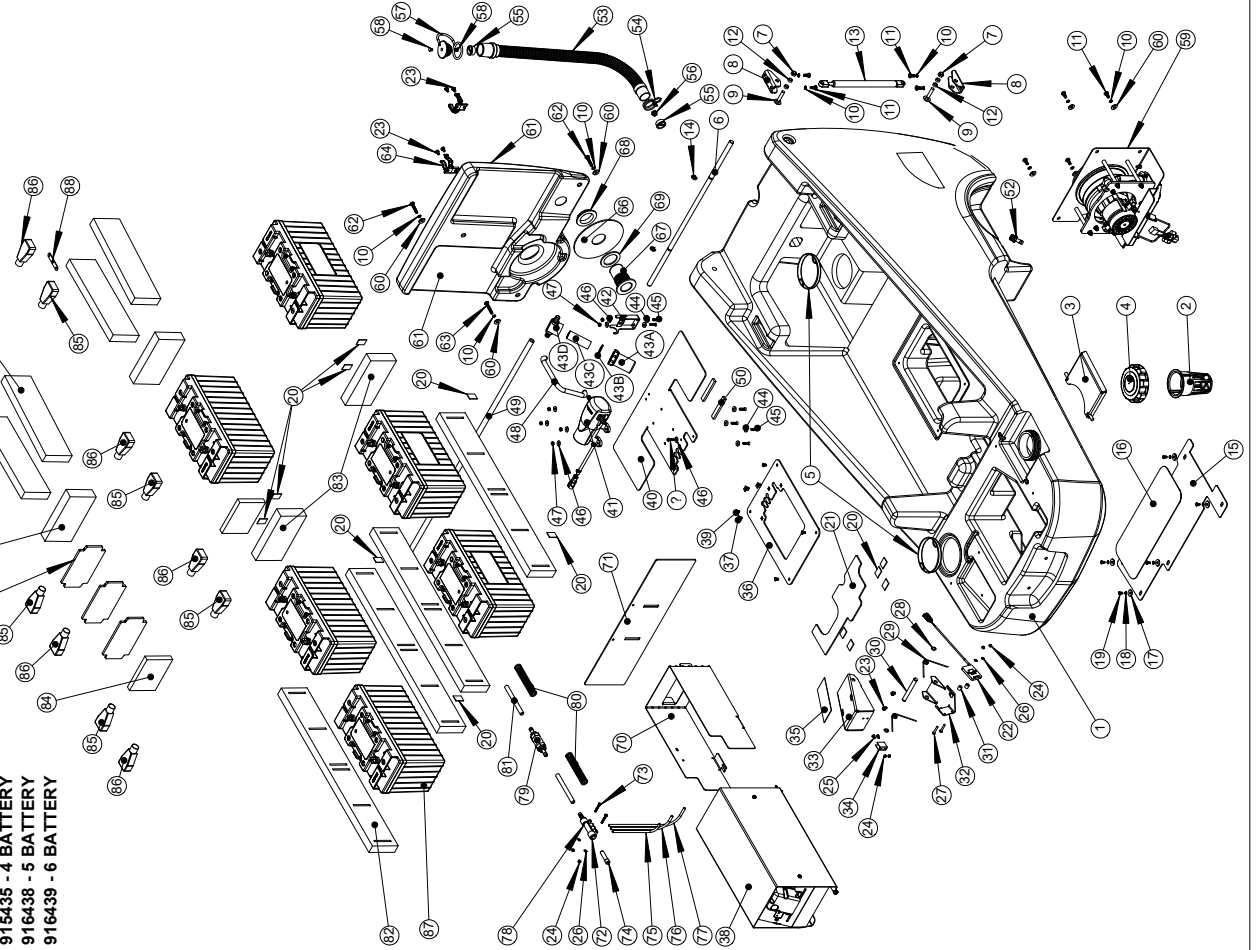
**Model No :** TOP TANK ASSEMBLY (TRG)

ITEM:	PART No:	Description	COMMENTS	QTY.
1	910522	MILSCO BACK SEAT XB 180		1
2	908574	RED ROD CAP (30MM)		1
3	219646	M8 X 16MM LONG POZI PAN STAINLESS STEEL SCREW		5
4	291060	WASHER M6 SHAKEPROOF STAINLESS STEEL		5
5	219647	M6 FORM G STAINLESS STEEL WASHER		17
6	908960	TRG SEAT PLATE WELD ASSEMBLY PAINTED SILVER		1
7	908760	SEAT PLATE GASKET		1
8	219716	M8 FORM G STAINLESS STEEL WASHER		4
9	219639	M8 STAINLESS STEEL NYLON INSERT NUT		4
10	208867	FLASHING XENON BEACON X80 SERIES		1
11	908817	BEACON BRACKET & COVER (TRG) M/S		1
12	908117	BEACON BRACKET & COVER GASKET		1
13	902234	FLOAT REED SWITCH ASSEMBLY		1
14	219888	M4 FORM A STAINLESS STEEL WASHER		2
15	219887	M4 STAINLESS STEEL NYLON INSERT NUT		2
16	237337	TOP TANK MOULDING (GRAPHITE)		1
17	908814	TOP TANK CONNECTOR PLATE (TRG) PIP		1
18	219668	N08.3/4 INCH LG. POZI PAN SCREW STAINLESS STEEL PLASTITE		2
19	291131	M5 X 12MM LONG STAINLESS STEEL POZI PAN SEMS SCREW		20
20	902919	CLIP MOULDING (RED)		2
21	206116	BLACK NUT		1
22	219310	RUBBER WASHER		2
23	237526	38MM RED DRAIN HOSE CONNECTOR		1
24	237336	TTV SEPARATOR MOULDING (GRAPHITE)		1
25	391209	1225MM LONG SEALING STRIP		1
26	908398	90° ISO BEND - (BS4825 PT2 LONG)		1
27	908342	TANK FILTER (RED)		1
28	908396	FLOAT BASKET FILTER		1
29	219569	N68 X 1/2 INCH LONG POZI PAN STAINLESS STEEL PLASTITE SCREW		4
30	237754	35-38MM HOSE CLIP		4
31	291133	M5 X 20MM LONG STAINLESS STEEL POZI PAN SEMS SCREW		2
32	900886	NYLON GROMMET NUT (PLASTIC INSERT TO SUIT No 8 PLASTITE SCREW)		4
33	902516	HOSE CLIP BRACKET		1
34	208475	8MM SPACER		2
35	329904	RIDE-ON SQUEEGER STORAGE BRACKET		1
36	213059	SUCTION HOSE 1450MM X Ø38MM		1
37	908890	DUMP HOSE 1100MM X Ø38MM		1
38	213060	VAC HOSE 1060MM X Ø38MM		1
39	237718	HOSE GUIDE		1
40	900901	RED HOSE CLOSURE (35MM-38MM)		1
41	219717	M8 X 20MM LONG HEXAGONAL STAINLESS STEEL BOLT		4
42	219819	32MM-50MM STAINLESS STEEL HOSE CLIP		2

**Numatic International Spare Parts**  
**Model No:** TVL850 BOTTOM TANK ASSEMBLY EXPLODED DRAWING

915435, 915436, 916438, 916439, 917245  
 DRAWING: DRW-39450 ISS: A05  
 12/10/2023

**CONFIGURATIONS**  
 917245 - NO BATTERY  
 915436 - 3 BATTERY  
 915435 - 4 BATTERY  
 916438 - 5 BATTERY  
 916439 - 6 BATTERY



**Numatic International Spare Parts**  
**Model No:** TVL850 BOTTOM TANK ASSEMBLY EXPLODED DRAWING

915435, 915436, 916438, 916439, 917245  
 DRAWING: DRW-39450 ISS: A05  
 12/10/2023

**CONFIGURATIONS**  
 917245 - NO BATTERY  
 915436 - 3 BATTERY  
 915435 - 4 BATTERY  
 916438 - 5 BATTERY  
 916439 - 6 BATTERY

POS.	ITEM No.	DESCRIPTION	QTY. NO. BATTERY VERSION	QTY. 3 BATTERY VERSION	QTY. 4 BATTERY VERSION	QTY. 5 BATTERY VERSION	QTY. 6 BATTERY VERSION
1	915168	TRG BOTTOM TANK MOUNTING	1	1	1	1	1
2	903972	TRG BOTTOM TANK MOUNTING (NO LOGO)	1	1	1	1	1
3	904197	BOTTOM TANK FILLING FILTER REED	1	1	1	1	1
4	904198	HEATER COVER W/ WELD ASSEMBLY	1	1	1	1	1
5	218452	100MM DIAMETER HOLE PLUG	2	2	2	2	2
6	206071	TOP TANK PIVOT TUBE	2	2	2	2	2
7	219539	M6 STAINLESS STEEL NYLON INSERT NUT	2	2	2	2	2
8	219540	M6 X 20mm CARTRIDGE BOLT	2	2	2	2	2
9	219541	M6 X 20mm CARTRIDGE BOLT	2	2	2	2	2
10	219542	M6 X 16mm LONG POZI PAN STAINLESS STEEL SCREW	8	8	8	8	8
11	219543	M6 X 16mm LONG POZI PAN STAINLESS STEEL SCREW	8	8	8	8	8
12	206072	PLASTIC FIXING RING	2	2	2	2	2
13	206073	FLOOR PLATE	1	1	1	1	1
14	206074	FLOOR PLATE (LEFT HAND)	1	1	1	1	1
15	206075	FLOOR PLATE (RIGHT HAND)	1	1	1	1	1
16	206076	FLOOR PLATE (NO LOGO)	1	1	1	1	1
17	219544	M6 X 10mm LONG POZI PAN SEMS SCREW	5	5	5	5	5
18	219545	M6 X 10mm LONG POZI PAN SEMS SCREW	5	5	5	5	5
19	219546	M6 X 10mm LONG POZI PAN SEMS SCREW	5	5	5	5	5
20	219547	M6 X 10mm LONG POZI PAN SEMS SCREW	5	5	5	5	5
21	219548	M6 X 10mm LONG POZI PAN SEMS SCREW	5	5	5	5	5
22	219549	M6 X 10mm LONG POZI PAN SEMS SCREW	5	5	5	5	5
23	219550	M6 X 10mm LONG POZI PAN SEMS SCREW	5	5	5	5	5
24	219551	M6 X 10mm LONG POZI PAN SEMS SCREW	5	5	5	5	5
25	219552	M6 X 10mm LONG POZI PAN SEMS SCREW	5	5	5	5	5
26	219553	M6 X 10mm LONG POZI PAN SEMS SCREW	5	5	5	5	5
27	219554	M6 X 10mm LONG POZI PAN SEMS SCREW	5	5	5	5	5
28	219555	M6 X 10mm LONG POZI PAN SEMS SCREW	5	5	5	5	5
29	219556	M6 X 10mm LONG POZI PAN SEMS SCREW	5	5	5	5	5
30	219557	M6 X 10mm LONG POZI PAN SEMS SCREW	5	5	5	5	5
31	219558	M6 X 10mm LONG POZI PAN SEMS SCREW	5	5	5	5	5
32	219559	M6 X 10mm LONG POZI PAN SEMS SCREW	5	5	5	5	5
33	219560	M6 X 10mm LONG POZI PAN SEMS SCREW	5	5	5	5	5
34	219561	M6 X 10mm LONG POZI PAN SEMS SCREW	5	5	5	5	5
35	219562	M6 X 10mm LONG POZI PAN SEMS SCREW	5	5	5	5	5
36	219563	M6 X 10mm LONG POZI PAN SEMS SCREW	5	5	5	5	5
37	900986	NYLON GROMMET NUT (PLASTIC INSERT TO SUIT No 8)	3	3	3	3	3
38	915389	24V 70A CHARGES ASSEMBLY (TRL)	1	1	1	1	1
39	291008	WATER PUMP PLATE (TVL850) PP	4	4	4	4	4
40	915453	WATER PUMP PLATE (TVL850) PP	1	1	1	1	1
41	209278	WATER PUMP ASSEMBLY	1	1	1	1	1
42	209279	WATER PUMP ASSEMBLY	1	1	1	1	1
43	209280	WATER PUMP ASSEMBLY	1	1	1	1	1
44	209281	WATER PUMP ASSEMBLY	1	1	1	1	1
45	209282	WATER PUMP ASSEMBLY	1	1	1	1	1
46	209283	WATER PUMP ASSEMBLY	1	1	1	1	1
47	209284	WATER PUMP ASSEMBLY	1	1	1	1	1
48	209285	WATER PUMP ASSEMBLY	1	1	1	1	1
49	209286	WATER PUMP ASSEMBLY	1	1	1	1	1
50	212267	12MM WIDE 6MM THICK INSEAL (80mm)	6	6	6	6	6
51	219568	N8 X 3/4 INCH LONG POZI PAN STAINLESS STEEL SCREW	1	1	1	1	1
52	219389	3/8 BSP FEMALE CW UNDERCUT & O RING TO 10.5MM	1	1	1	1	1
53	N/A	DUMP HOSE	1	1	1	1	1
54	902133	SPRING WIRE CLAMP (YDNAC-Y8010356)	1	1	1	1	1
55	904108	FLOAT STOP MOUNTING	2	2	2	2	2
56	904109	FLOAT STOP MOUNTING	2	2	2	2	2
57	904110	FLOAT STOP MOUNTING	2	2	2	2	2
58	904111	FLOAT STOP MOUNTING	2	2	2	2	2
59	916452	VAC MOTOR ASSEMBLY SOUNDPROOF (TRL/TVL/TRG) 3	1	1	1	1	1
60	219571	STAGE MODIFIED	7	7	7	7	7
61	219572	STAGE MODIFIED	7	7	7	7	7
62	219573	STAGE MODIFIED	7	7	7	7	7
63	219574	STAGE MODIFIED	7	7	7	7	7
64	219575	STAGE MODIFIED	7	7	7	7	7
65	219576	STAGE MODIFIED	7	7	7	7	7
66	219577	STAGE MODIFIED	7	7	7	7	7
67	219578	STAGE MODIFIED	7	7	7	7	7
68	206116	BLACK NUT	68	68	68	68	68
69	206117	BLACK NUT	68	68	68	68	68
70	206118	BLACK NUT	68	68	68	68	68
71	915382	PP BATTERY DIVIDER (TRL)	1	1	1	1	1
72	208031	3 WAY MANIFOLD (10MM DIAMETER INPUT 7MM DIAMETER OUTPUT)	1	1	1	1	1
73	219593	MAX 3MM LONG POZI PAN STAINLESS STEEL SCREW	2	2	2	2	2
74	219594	MAX 3MM LONG POZI PAN STAINLESS STEEL SCREW	2	2	2	2	2
75	391517	61MM LONG 4MM ID X 6MM O/D FLEXIBLE NYLON TUBE	1	1	1	1	1
76	391518	72MM LONG 4MM ID X 6MM O/D FLEXIBLE NYLON TUBE	1	1	1	1	1
77	391519	82MM LONG 4MM ID X 6MM O/D FLEXIBLE NYLON TUBE	1	1	1	1	1
78	391520	92MM LONG 4MM ID X 6MM O/D FLEXIBLE NYLON TUBE	1	1	1	1	1
79	391521	102MM LONG 4MM ID X 6MM O/D FLEXIBLE NYLON TUBE	1	1	1	1	1
80	219595	NON RETURN VALVE ASSEMBLY	2	2	2	2	2
81	219596	NON RETURN VALVE ASSEMBLY	2	2	2	2	2
82	219597	NON RETURN VALVE ASSEMBLY	2	2	2	2	2
83	219598	NON RETURN VALVE ASSEMBLY	2	2	2	2	2
84	219599	NON RETURN VALVE ASSEMBLY	2	2	2	2	2
85	915219	BLACK BATTERY TERMINAL COVER (415N0V14) (19.05MM DIA)	3	3	3	3	3
86	915218	RED BATTERY TERMINAL COVER (415N0V02) (19.05MM DIA)	3	3	3	3	3
87	N/A	CANBUS HILINK CONNECTOR PCB	1	1	1	1	1
88	N/A	FOAM PAD 260 X 80 X 26	1	1	1	1	1
89	916435	Single Battery Foam Spacer	3	3	3	3	3
90	916202	Single Battery Foam Spacer	3	3	3	3	3

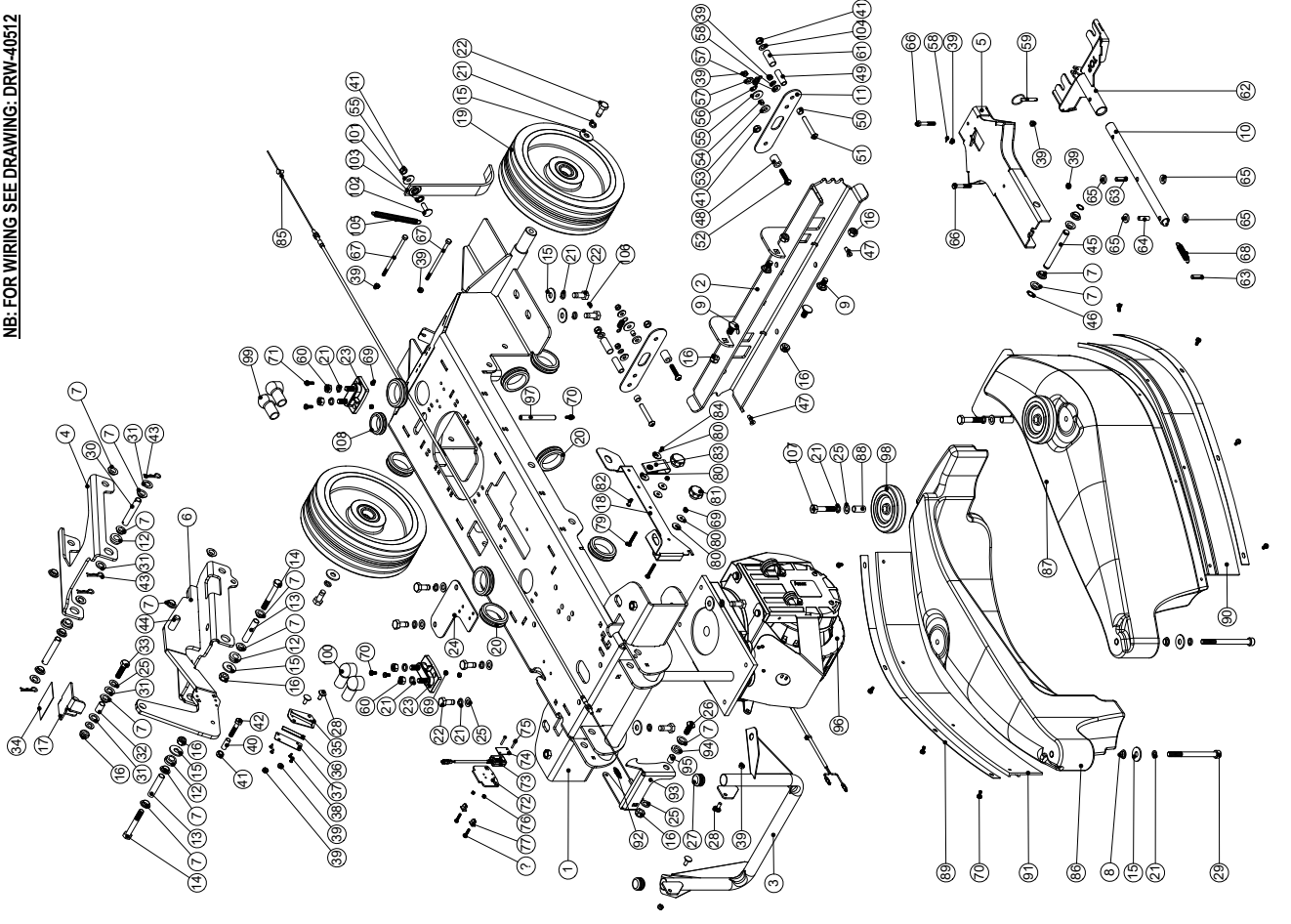
IN: MANUAL BAG

**Numatic International Spare Parts**

Model No.: TVL850 CHASSIS ASSEMBLY

915439  
DRAWING: DRW-39410 ISS:A05  
12/10/2023

NB: FOR WIRING SEE DRAWING: DRW-40512



**Numatic International Spare Parts**

Model No.: TVL850 CHASSIS ASSEMBLY

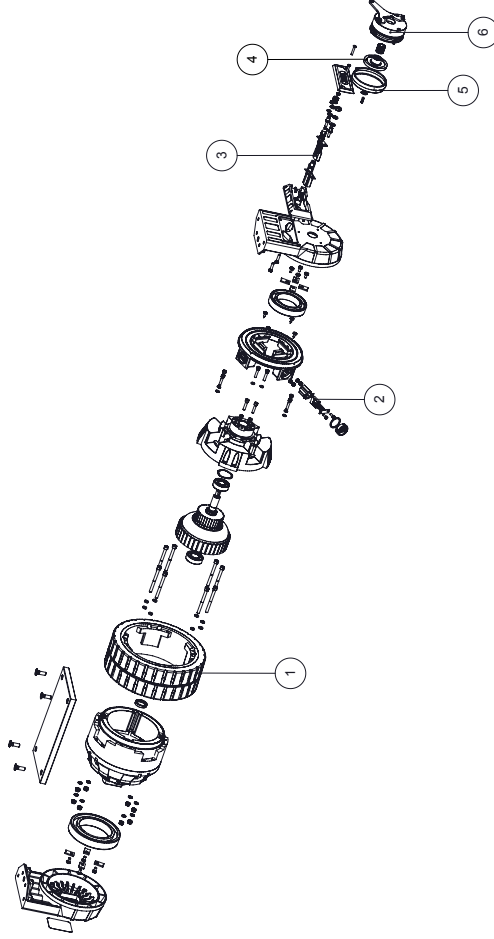
ITEM	PART NO.	DESCRIPTION	QTY
1	900776	CHASSIS WELDED ASSEMBLY (TRG) PAINTED SILVER	1
2	900758	SIDE POD SIDE PLATE ASSEMBLY (TRG) Z/PL	1
3	900759	BRUSH DECK REAR LINK (TRG) PAINTED SILVER	1
4	900760	BRUSH DECK FRONT LINK (TRG) PAINTED SILVER	1
5	900752	SOUEEGEE LIFTING PLATE WELDED ASSEMBLY (TRG) Z/PL	1
6	900767	BRUSH DECK PEDAL ARM WELDED ASSY (TRG) Z/PL	1
7	900830	COIL SPRING (TRG) (1375)	10
8	900833	COIL SPRING (TRG) (1375)	10
9	900848	M10 X 20MM LONG COACH BOLT STAINLESS STEEL	1
10	900836	PIVOT TUBE WELD ASSEMBLY (TRG)	1
11	900838	SAATCHI PIVOT TUBE END STOP	2
12	900839	SAATCHI PIVOT TUBE END STOP	2
13	900838	SAATCHI PIVOT TUBE END STOP	2
14	900838	SAATCHI PIVOT TUBE END STOP	2
15	900838	SAATCHI PIVOT TUBE END STOP	2
16	900838	SAATCHI PIVOT TUBE END STOP	2
17	900847	TRG FOOT PEDAL HINGE BRACKET	1
18	900848	M10 X 20MM LONG HEX BOLT STAINLESS STEEL	1
19	900839	25MM DIAMETER WHEEL	2
20	900839	25MM DIAMETER WHEEL	2
21	900839	25MM DIAMETER WHEEL	2
22	900839	25MM DIAMETER WHEEL	2
23	900839	25MM DIAMETER WHEEL	2
24	900839	25MM DIAMETER WHEEL	2
25	900839	25MM DIAMETER WHEEL	2
26	900839	25MM DIAMETER WHEEL	2
27	900839	25MM DIAMETER WHEEL	2
28	900839	25MM DIAMETER WHEEL	2
29	900839	25MM DIAMETER WHEEL	2
30	900839	25MM DIAMETER WHEEL	2
31	900839	25MM DIAMETER WHEEL	2
32	900839	25MM DIAMETER WHEEL	2
33	900839	25MM DIAMETER WHEEL	2
34	900848	M10 X 20MM LONG COACH BOLT STAINLESS STEEL	1
35	900750	MAGNET PLATE (TRG) PAINTED SILVER	1
36	900863	MAGNET (TRG) (10 X 35mm)	1
37	900863	MAGNET (TRG) (10 X 35mm)	1
38	900863	MAGNET (TRG) (10 X 35mm)	1
39	900863	MAGNET (TRG) (10 X 35mm)	1
40	900863	MAGNET (TRG) (10 X 35mm)	1
41	900863	MAGNET (TRG) (10 X 35mm)	1
42	900863	MAGNET (TRG) (10 X 35mm)	1
43	900863	MAGNET (TRG) (10 X 35mm)	1
44	900863	MAGNET (TRG) (10 X 35mm)	1
45	900863	MAGNET (TRG) (10 X 35mm)	1
46	900863	MAGNET (TRG) (10 X 35mm)	1
47	900863	MAGNET (TRG) (10 X 35mm)	1
48	900863	MAGNET (TRG) (10 X 35mm)	1
49	900863	MAGNET (TRG) (10 X 35mm)	1
50	900863	MAGNET (TRG) (10 X 35mm)	1
51	900863	MAGNET (TRG) (10 X 35mm)	1
52	900863	MAGNET (TRG) (10 X 35mm)	1
53	900863	MAGNET (TRG) (10 X 35mm)	1
54	900863	MAGNET (TRG) (10 X 35mm)	1
55	900863	MAGNET (TRG) (10 X 35mm)	1
56	900863	MAGNET (TRG) (10 X 35mm)	1
57	900863	MAGNET (TRG) (10 X 35mm)	1
58	900863	MAGNET (TRG) (10 X 35mm)	1
59	900863	MAGNET (TRG) (10 X 35mm)	1
60	900863	MAGNET (TRG) (10 X 35mm)	1
61	900863	MAGNET (TRG) (10 X 35mm)	1
62	900863	MAGNET (TRG) (10 X 35mm)	1
63	900863	MAGNET (TRG) (10 X 35mm)	1
64	900863	MAGNET (TRG) (10 X 35mm)	1
65	900863	MAGNET (TRG) (10 X 35mm)	1
66	900863	MAGNET (TRG) (10 X 35mm)	1
67	900863	MAGNET (TRG) (10 X 35mm)	1
68	900863	MAGNET (TRG) (10 X 35mm)	1
69	900863	MAGNET (TRG) (10 X 35mm)	1
70	900863	MAGNET (TRG) (10 X 35mm)	1
71	900863	MAGNET (TRG) (10 X 35mm)	1
72	900863	MAGNET (TRG) (10 X 35mm)	1
73	900863	MAGNET (TRG) (10 X 35mm)	1
74	900863	MAGNET (TRG) (10 X 35mm)	1
75	900863	MAGNET (TRG) (10 X 35mm)	1
76	900863	MAGNET (TRG) (10 X 35mm)	1
77	900863	MAGNET (TRG) (10 X 35mm)	1
78	900863	MAGNET (TRG) (10 X 35mm)	1
79	900863	MAGNET (TRG) (10 X 35mm)	1
80	900863	MAGNET (TRG) (10 X 35mm)	1
81	900863	MAGNET (TRG) (10 X 35mm)	1
82	900863	MAGNET (TRG) (10 X 35mm)	1
83	900863	MAGNET (TRG) (10 X 35mm)	1
84	900863	MAGNET (TRG) (10 X 35mm)	1
85	900863	MAGNET (TRG) (10 X 35mm)	1
86	900863	MAGNET (TRG) (10 X 35mm)	1
87	900863	MAGNET (TRG) (10 X 35mm)	1
88	900863	MAGNET (TRG) (10 X 35mm)	1
89	900863	MAGNET (TRG) (10 X 35mm)	1
90	900863	MAGNET (TRG) (10 X 35mm)	1
91	900863	MAGNET (TRG) (10 X 35mm)	1
92	900863	MAGNET (TRG) (10 X 35mm)	1
93	900863	MAGNET (TRG) (10 X 35mm)	1
94	900863	MAGNET (TRG) (10 X 35mm)	1
95	900863	MAGNET (TRG) (10 X 35mm)	1
96	900863	MAGNET (TRG) (10 X 35mm)	1
97	900863	MAGNET (TRG) (10 X 35mm)	1
98	900863	MAGNET (TRG) (10 X 35mm)	1
99	900863	MAGNET (TRG) (10 X 35mm)	1
100	900863	MAGNET (TRG) (10 X 35mm)	1
101	900863	MAGNET (TRG) (10 X 35mm)	1
102	900863	MAGNET (TRG) (10 X 35mm)	1
103	900863	MAGNET (TRG) (10 X 35mm)	1
104	900863	MAGNET (TRG) (10 X 35mm)	1
105	900863	MAGNET (TRG) (10 X 35mm)	1
106	900863	MAGNET (TRG) (10 X 35mm)	1
107	900863	MAGNET (TRG) (10 X 35mm)	1
108	900863	MAGNET (TRG) (10 X 35mm)	1
109	900863	MAGNET (TRG) (10 X 35mm)	1

**Numatic International Spare Parts**

**Model No: TTV678 & TRO650 Motor Wheel & Brake Assembly**

NB: FOR WIRING SEE DRAWING: WD-0359, DRW-15631, DRW-13416, DRW-14741

234604  
DRAWING: EXP-1032 ISS:A03  
28/03/2014



**Numatic International Spare Parts**

**Model No: TTV678 & TRO650 Motor Wheel & Brake Assembly**

POS:	ITEM NO:	DESCRIPTION:	COMMENTS:
1	208145	WHEEL	
2	208146	ARMATURE BRUSH	
3	208147	MOTOR BRUSH	
4	208148	FRICION DISC	
5	208149	RUBBER GASKET	
6	321506	MODIFIED ELECTRONICALLY RELEASED BRAKE C/W PINION & SCREWS	

**Numatic International Spare Parts**

**Model No:** TTV678 & TRO650 MOTOR WHEEL GEARBOX ASSEMBLY

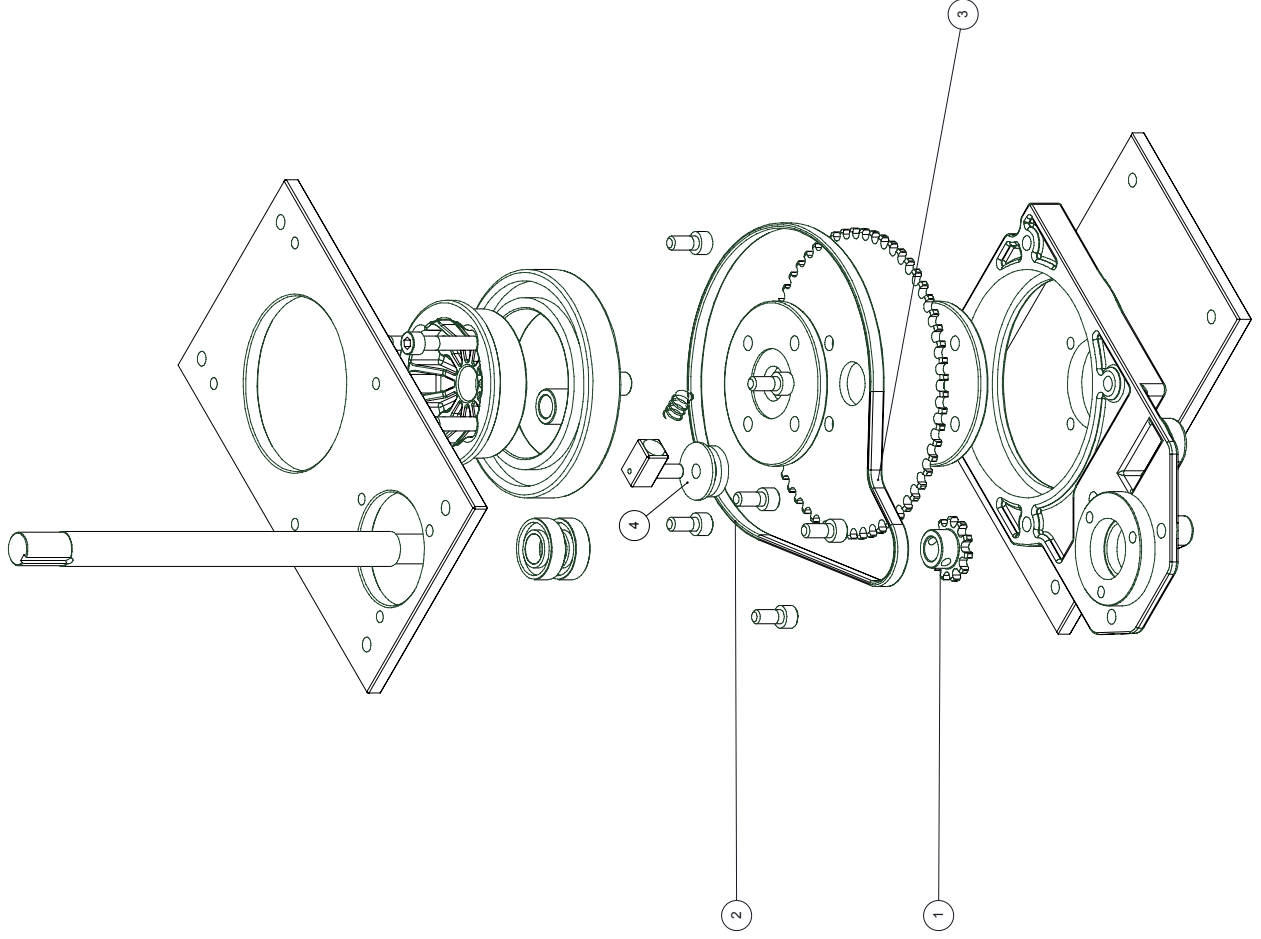
NB: FOR WIRING SEE DRAWING: WD-0359, DRW- 15631, DRW-13416, DRW-14741

234605

DRAWING: EXP-1033

PRO

ISS:A05



**Numatic International Spare Parts**

**Model No:** TTV678 & TRO650 MOTOR WHEEL GEARBOX ASSEMBLY EXPLODED DRAWING (EXP-1033)

POS:	ITEM NO:	DESCRIPTION:	COMMENTS:
1	208151	PINION	
2	208152	STEERING CHAIN	
3	208153	STEERING CHAIN MASTER LINK	
4	901617	WHEEL TENSIONER	AVAILABLE SEPERATELY

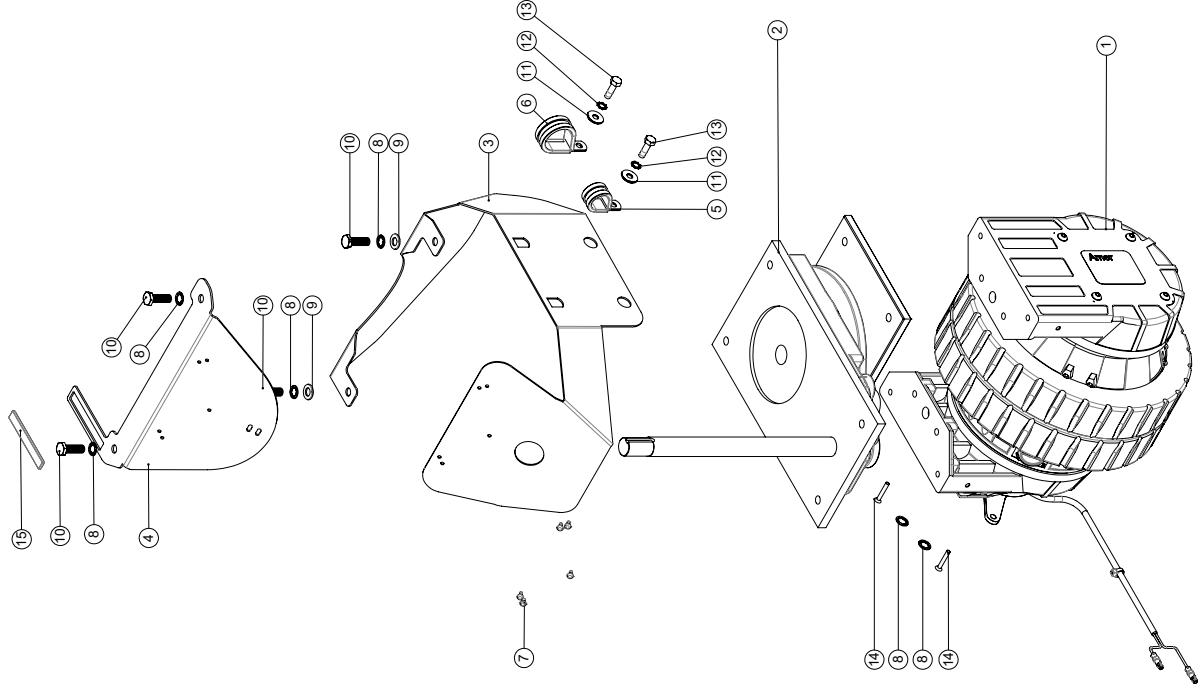


**Numatic International Spare Parts**

**Model No:** DRIVE WHEEL ASSEMBLY (TRG) EXPLODED DRAWING

908970  
 Internal Code: DRAWING: DRW-28741 ISS:A08  
 06/07/2023

NB: FOR WIRING SEE DRAWING: N/A



**Numatic International Spare Parts**

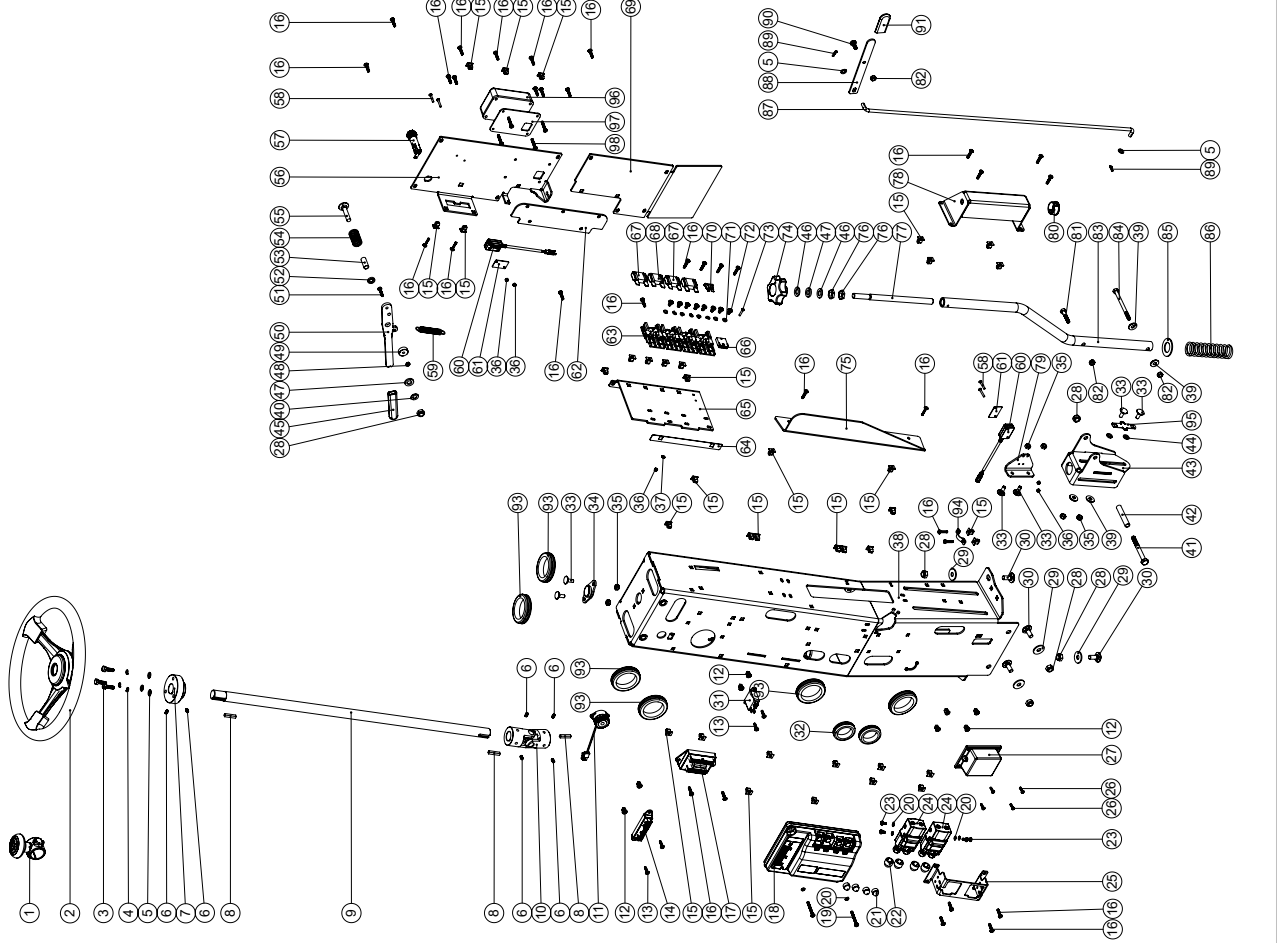
**Model No:** DRIVE WHEEL ASSEMBLY (TRG) EXPLODED DRAWING

ITEM:	PART No:	DESCRIPTION	COMMENTS:	QTY
1	904964	MOTOR WHEEL & MODIFIED BRAKE LEAD ASSEMBLY (MK2)		1
2	206928	STEERING SYSTEM		1
3	904917	DRIVE WHEEL MUD FLAP		1
4	908792	DRIVE WHEEL CABLE HOLDER (TRG) SIS		1
5	904920	P-CLIP (21) STAINLESS STEEL		1
6	904921	P-CLIP P34 STAINLESS STEEL		1
7	208963	SNAP BLACK RIVET (REF SR-3055B)		5
8	902520	M8 INTERNAL WASHER SHAKEPROOF STAINLESS STEEL		6
9	219578	M8 FORM A STAINLESS STEEL WASHER		2
10	906763	M8 X 25MM LG HEX HEAD SCREW STN STEEL C/W THREADLOCK (LOW HEAD)		4
11	219647	M6 FORM G STAINLESS STEEL WASHER		2
12	902353	M6 EXTERNAL SHAKEPROOF WASHER STAINLESS STEEL		2
13	291144	M6 X 20MM LG HEX HEAD SCREW STAINLESS STEEL C/W THREADLOCK		2
14	904946	M4 X 25MM LG. POZI CSK SCREW (STAINLESS STEEL)		2
15	908115	75 X 10 X 3MM THICK N42 NEDDYMIUM MAGNET (F75103-2)		1

**Numatic International Spare Parts**  
**Model No:** TVL850 STEERING COLUMN ASSEMBLY

916164, 916521  
 DRAWING: DRW-40564 ISS:A01  
 20/03/2023

NB: FOR WIRING SEE DRAWING: DRW-40512



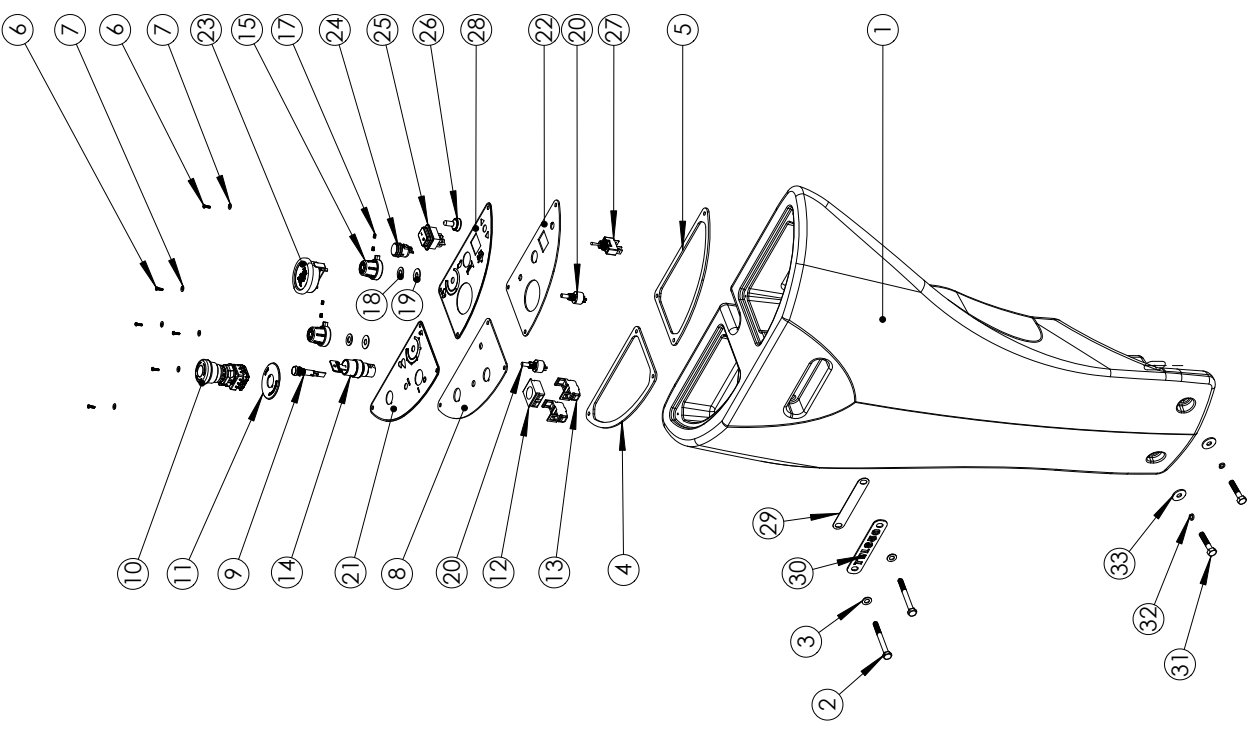
**Numatic International Spare Parts**  
**Model No:** TVL850 STEERING COLUMN ASSEMBLY

ITEM:	PART No:	DESCRIPTION	COMMENTS	TVL 850 STEERING COLUMN QUANTITY:	TVL 850 STEERING COLUMN WITH TELEMATICS QUANTITY:
1	208104	STEERING WHEEL KNOB		1	1
2	209961	300MM STEERING WHEEL CW CENTRE CAP		1	1
3	219976	M6 X 20MM LONG HEXAGONAL HEAD SET SCREW		3	3
4	219977	M6 X 20MM LONG HEXAGONAL HEAD SET SCREW		3	3
5	219978	M6 FORM B STAINLESS STEEL WASHER		5	5
6	219784	M5 X 8MM LONG BLACK OXIDISED GRUB SCREW		6	6
7	209960	RIIDE-ON STEERING WHEEL ADAPTOR	SPARES PART	1	1
8	905374	UNIVERSAL JOINT KEY		3	3
9	209962	UNIVERSAL JOINT		1	1
10	209963	UNIVERSAL JOINT		1	1
11	906871	24V DC BUZZER CW CONNECTOR		1	1
12	906769	NYLON GROMMET NUT (PLASTIC INSERT TO SUIT NO 6 PLASTIC SCREW)		8	8
13	219814	N08 X 5/8 INCH LONG POZI-PAN PLASTIC STEEL SCREW		4	4
14	208009	POTTED TERMINAL BLOCK ASSEMBLY FOR TO SUIT N6 8 PLASTIC SCREW		1	1
15	906768	NYLON GROMMET NUT (PLASTIC INSERT TO SUIT N6 8 PLASTIC SCREW)		30	30
16	219968	N08 X 3/4 INCH LG POZI-PAN SCREW STAINLESS STEEL PLASTITE		35	35
17	904179	TERMINAL BLOCK ASSEMBLY		1	1
18	916324	PROGRAMMED 140 24V DC MOTOR CONTROLLER (TVL)		1	1
19	219825	N08 X 1 1/2 INCH LONG POZI PAN STAINLESS STEEL PLASTITE SCREW		2	2
20	907016	M8 BOLT AND NUT CAP		6	6
21	907016	M8 BOLT AND NUT CAP		4	4
22	903260	M8 BOLT AND NUT CAP		4	4
23	219897	M4 X 8MM LONG POZI PAN STAINLESS STEEL SCREW		4	4
24	903736	24V AL BRIGHT CONTACTOR (S60-2009)		2	2
25	903736	24V AL BRIGHT CONTACTOR (S60-2009)		2	2
26	219853	M4 X 8MM LONG POZI PAN PLASTIC SCREW		4	4
27	905341	KEYO PWM POWER CONTROL 10A M171		1	1
28	219839	M8 STAINLESS STEEL NYLON INSERT NUT		6	6
29	219716	M8 FORM G STAINLESS STEEL WASHER		4	4
30	902770	24V FET MOTOR CONTROLLER (SPT)		4	4
31	902770	24V FET MOTOR CONTROLLER (SPT)		2	2
32	208029	GROMMET (32MM ID)		2	2
33	281103	M6 X 16 COACH BOLT S/S		6	6
34	209110	IGUS IR12 BOLT PLAIN BEARING 20MM ID		1	1
35	219842	M6 NYLON INSERT NUT (PLASTIC INSERT TO SUIT N6 8 PLASTIC SCREW)		6	6
36	219842	M6 NYLON INSERT NUT (PLASTIC INSERT TO SUIT N6 8 PLASTIC SCREW)		6	6
37	904219	M3 STAINLESS STEEL EXTERNAL SHAKEPROOF WASHER		5	5
38	906783	STEERING COLUMN WELD ASSEMBLY (TRG) M/S PAINTED SILVER		1	1
39	219847	M6 FORM G STAINLESS STEEL WASHER		4	4
40	209576	M8 FORM A STAINLESS STEEL WASHER		1	1
41	209576	M8 FORM A STAINLESS STEEL WASHER		1	1
42	391199	54MM LONG X 10MM DIAMETER STAINLESS STEEL TUBE		1	1
43	906772	BRUSH PRESSURE ADJUSTMENT SLIDE (TRG) S/S		2	2
44	219895	M6 NYLON WASHER		2	2
45	903870	LEVER HANDLE INCLUDING RED WASHER		1	1
46	219894	NYLON WASHER (18MM O/D X 10.4MM I/D X 3MM THICK)		2	2
47	219894	NYLON WASHER (18MM O/D X 10.4MM I/D X 3MM THICK)		2	2
48	219897	M4 STAINLESS STEEL NYLON INSERT NUT		1	1
49	906515	FLOOR TOOL LIFTING HANDLE (TRG) S/S		1	1
50	906515	FLOOR TOOL LIFTING HANDLE (TRG) S/S		1	1
51	906640	CARRIAGE BOLT SPACER		1	1
52	906640	CARRIAGE BOLT SPACER		1	1
53	391191	LEVER PIVOT SPACER (S/S 10MM O/D X 8MM I/D X 24MM LONG)		1	1
54	219892	COMPRESSION SPRING		1	1
55	291120	M8 X 40 CARRIAGE BOLT S/S		1	1
56	291120	M8 X 40 CARRIAGE BOLT S/S		1	1
57	910302	BULGIN PANEL MOUNT FISHHOLDER (TVL 850) (M/S) - TELEMATICS		1	1
58	291155	M3 X 20MM LONG POZI PAN SCREW STAINLESS STEEL		4	4
59	206777	EXTENSION SPRING 65.3MM LONG		2	2
60	904501	REED SWITCH ASSEMBLY		2	2
61	906781	FUSE PANEL VIEWING WINDOW (TRG)		4	4
62	906781	FUSE PANEL VIEWING WINDOW (TRG)		4	4
63	230102	FUSE HOLDER RATED AT 60 AMPS		1	1
64	906747	SYMBOL BACKPLATE RED P/P		1	1
65	906779	FUSE HOLDER PLATE (TRG) M/S PAINTED SILVER		1	1
66	219891	20 AMP MAXI FUSE (TRK SERIES)		3	3
67	219891	20 AMP MAXI FUSE (TRK SERIES)		3	3
68	230104	30 AMP MAXI FUSE		1	1
69	906777	STEERING COLUMN COVER (TRG) M/S PAINTED SILVER		1	1
70	905670	4 AMP FUSE		1	1
71	219864	M5 X 16MM LONG POZI PAN SCREW Z/P		8	8
72	219864	M5 X 16MM LONG POZI PAN SCREW Z/P		8	8
73	902065	M3 X 18MM LONG POZI PAN SCREW STAINLESS STEEL		1	1
74	903881	M10 LOBE KNOB (RED)		1	1
75	329888	STEERING COLUMN SPASH GAURD		1	1
76	905645	165 X 165 X 165mm SHIELD TO SUIT TRX26 - P3		2	2
77	905645	165 X 165 X 165mm SHIELD TO SUIT TRX26 - P3		2	2
78	329888	BRUSH PRESSURE ADJUSTMENT BRACKET		1	1
79	906760	REED SWITCH BRACKET (TRG) PAINTED SILVER		1	1
80	209621	19MM (3/4 INCH) SNAP BUSHING		1	1
81	219863	M6 NYLON STAINLESS STEEL HEXAGONAL HEAD BOLT		3	3
82	219863	M6 NYLON STAINLESS STEEL HEXAGONAL HEAD BOLT		3	3
83	908824	BRUSH PRESSURE ADJUSTMENT TUBE WELD ASSY (TRG) S/S		1	1
84	219815	M6 X 10MM LONG STAINLESS STEEL HEXAGONAL HEAD BOLT		1	1
85	281167	M20 FORM B STAINLESS STEEL WASHER		1	1
86	904105	RELEASER RELEASE ROD		1	1
87	904105	RELEASER RELEASE ROD		1	1
88	329850	RELEASE HANDLE		1	1
89	904923	MINI R-CLIP ZINC PLATED		2	2
90	219846	M6 X 16MM LONG POZI PAN STAINLESS STEEL SCREW		1	1
91	904191	30MM LONG DIP-MOULDED HANDLE COVER (RED)		1	1
92	220235	FLOAT GROMMET		17	17
93	220235	FLOAT GROMMET		6	6
94	906803	CABLE CLAMP PP		1	1
95	906801	CABLE CLAMP PP RED		1	1
96	911544	TELEMATICS MODULE		1	1
97	219868	N8 X 1 INCH LONG POZI PAN STAINLESS STEEL PLASTITE SCREW		1	1
98	219868	N8 X 1 INCH LONG POZI PAN STAINLESS STEEL PLASTITE SCREW		1	1
99	909805	LEVER PIVOT/SELECTOR PLATE (TRG) Z/P	POS. 58	1	1

**Numatic International Spare Parts**  
**Model No:** TVL850 FRONT MOULDING ASSEMBLY

915438  
 DRAWING: DRW-39455 ISS:A01  
 20/03/2023

NB: FOR WIRING SEE DRAWING: DRW-40512



**Numatic International Spare Parts**  
**Model No:** TVL850 FRONT MOULDING ASSEMBLY

ITEM:	ITEM No:	DESCRIPTION:	COMMENTS:	QTY.
1	237335	TTV STEERING COLUMN MOULDING (GRAPHITE)		1
2	291123	M8 X 75 LONG HEX HEAD BOLT STAINLESS STEEL		2
3	219578	M8 FORM A STAINLESS STEEL WASHER		2
4	208097	KEY PANEL GASKET		1
5	208096	PCB GASKET		1
6	902534	M3 X 10MM LONG POZI PAN SCREW STAINLESS STEEL		6
7	219688	M4 FORM A STAINLESS STEEL WASHER		6
8	908763	RIGHT CONTROL PANEL (TRG) M/S PAINTED SILVER		1
9	907298	24V LED GREEN INDICATOR (H02750SSG6)		1
10	907149	EMERGENCY STOP (XW1E-BV412MFR)		1
11	904086	EMERGENCY STOP NAME PLATE (HWAV-27-Y)		1
12	907150	FIXING ADAPTER (020G)		1
13	907151	TERMINAL BLOCK N.O. (020E10)		2
14	907149	KEY SWITCH SELECTOR (020SCA1)	SPARE KEY Y-907208	1
15	903485	SPEED ADJUSTMENT KNOB (RED)		2
16	219845	M4 BRASS INSERT		2
17	219744	M4 X 6MM LONG BLACKODISED GRUB SCREW		4
18	219903	M10 FORM A STAINLESS STEEL WASHER		2
19	904094	SPEED CONTROL GASKET		2
20	270316	POTIOMETER TYPE P630 22K OHMS 20% 3W (WITH PANEL SEAL) (ROUND SHAFT WITH FLAT /NO SLOT IN SHAFT END)		2
21	916454	TVL850 CONTROL PANEL OVERLAY (RIGHT)		1
22	908765	LEFT CONTROL PANEL (TRG) M/S PAINTED SILVER		1
23	914748	NORD (LEP) BATTERY HOUR METER 24V (MODEL: 1428.306.01 BDI NE306 CAN NUMATIC)	O-RING INCLUDED	1
24	906658	SEALED PUSHBUTTON SWITCH SINGLE POLE		1
25	902235	SWITCH DPST RED ILLUMINATED WITH MEMBRANE 24V		1
26	206785	SWITCH COVER C/W NUT		1
27	206786	SWITCH		1
28	914918	TRG/TRL/TVL CONTROL PANEL OVERLAY (LEFT)		1
29	908745	NAME PLATE SPACER RED PIP		1
30	916436	TRL850 / VARIO NUMATIC FRONT PLATE S/S		1
31	291112	M8 X 40 LONG HEX BOLT STAINLESS STEEL		2
32	219898	M8 SINGLE COIL STAINLESS STEEL WASHER		2
33	219716	M8 FORM G STAINLESS STEEL WASHER		2

**Numatic International Spare Parts**

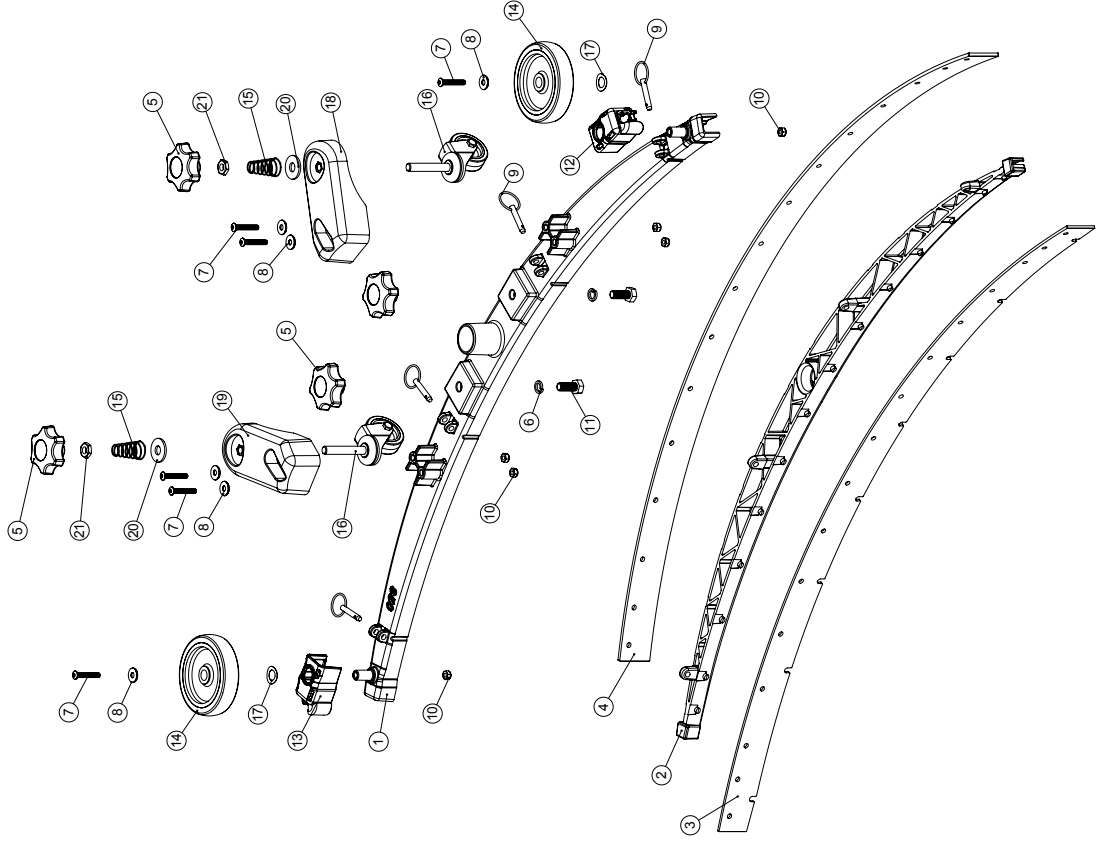
**Model No: 850 TWINTEC ALUMINIUM FLOOR TOOL (38MM HOSE)**

599443 900481 900481 900481  
 DRAWING: DRW-18079 ISS: A06  
 27/03/2018

Internal Code:

PRO

NB: FOR WIRING SEE DRAWING: N/A



**Numatic International Spare Parts**

**Model No: 850 TWINTEC ALUMINIUM FLOOR TOOL (38MM HOSE)**

ITEM:	PART No:	DESCRIPTION	QTY.
1	208197	(850MM SCRUB WIDTH) ALUMINIUM SQUEEGEE CASTING (38MM HOSE FITTING)	1
2	228988	(850MM SCRUB WIDTH) BLADE HOLDER Moulding (SLOPING PROFILE) (32MM & 38MM HOSE FITTING)	1
3	SEE TABLE	(850MM SCRUB WIDTH) REPLACEMENT (3.2MM / 40 SHORE A) FRONT MONOLAYER SERILOR POLY/BLADE (1085MM LONG)	1
4	SEE TABLE	850MM SCRUB WIDTH REPLACEMENT REAR BLADE (1117MM LONG)	1
5	903281	M10 LOBE KNOB (RED)	4
6	219899	M10 SINGLE COIL STAINLESS STEEL WASHER	2
7	219933	M6 X 35MM SOCKET BUTTON HEAD BOLT STAINLESS STEEL	6
8	219647	M6 FORM G STAINLESS STEEL WASHER	6
9	208953	DETENT PINS	4
10	219642	M6 STAINLESS STEEL NYLON INSERT NUT	6
11	219909	M10 X 25MM LONG HEXAGONAL STAINLESS STEEL SCREW	2
12	237322	RIGHT HAND FLOOR TOOL CLIP Moulding	1
13	237323	LEFT HAND FLOOR TOOL CLIP Moulding	1
14	208796	4 INCH WHEEL	2
15	229175	CONICAL SPRING	2
16	907759	50MM DIAMETER GREY TPR TYRED SWIVEL CASTOR CW M10 X 60 SWAGED STEM.	2
17	219891	13MM WAVEY WASHER	2
18	906860	ADJUSTABLE FLOOR TOOL CASTOR PLASTIC PLATE LEFT	1
19	906859	ADJUSTABLE FLOOR TOOL CASTOR PLASTIC PLATE RIGHT	1
20	291124	M10 PENNY WASHER STAINLESS STEEL	2
21	219951	A4 (STAINLESS STEEL) M10 HEX LOCK NUT (HALF NUT)	2

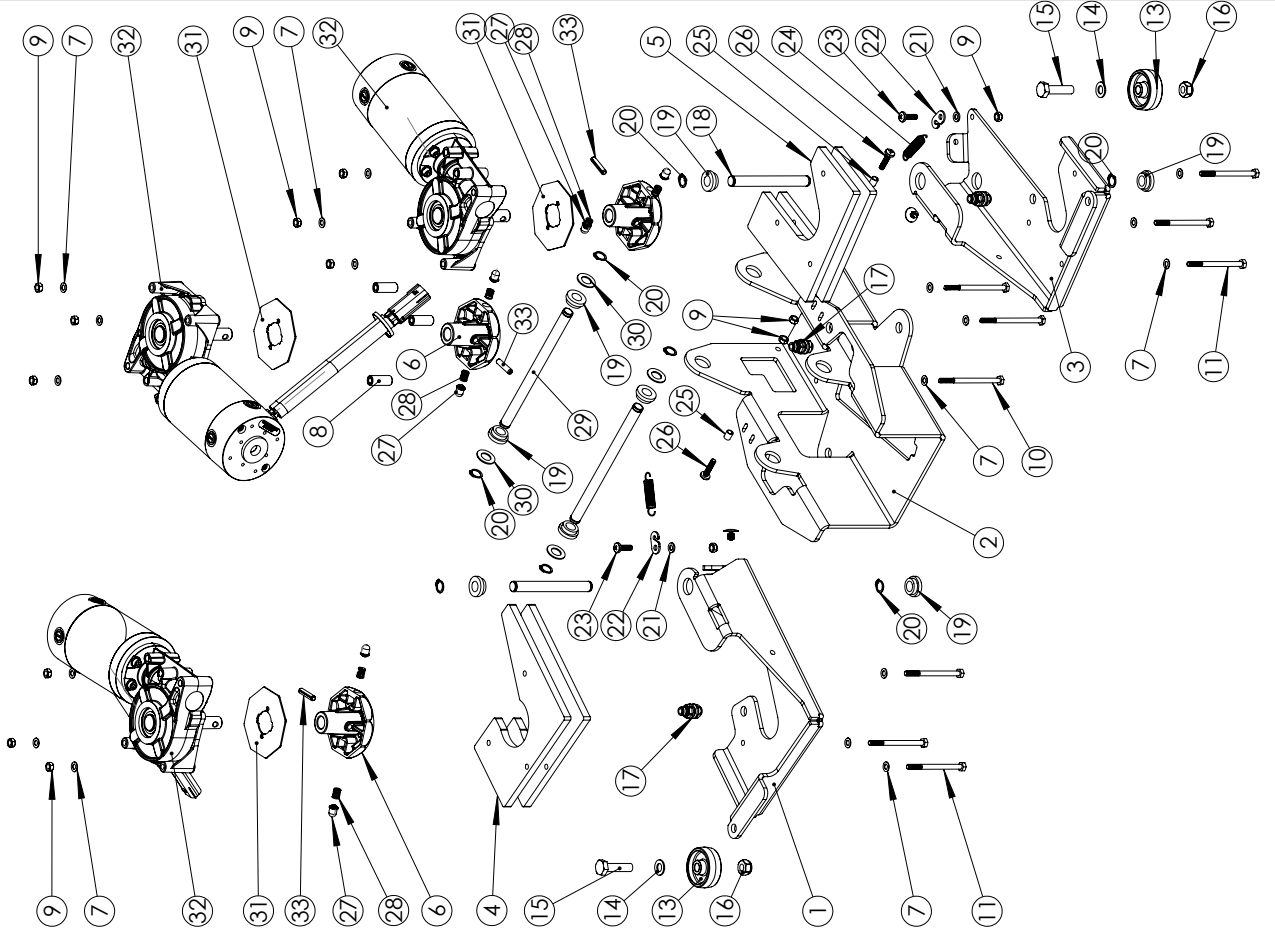
BLADE	FRONT	REAR
POLYURETHANE 43 SHORE A	206949	206950
POLYURETHANE 50 SHORE A	208193	208195
LINATEX NATURAL RUBBER 40 SHORE A	208194	208196
SERILOR/CLEAN/POLYURETHANE FRONT: 40 SHORE A / REAR: 35-45 SHORE A	208969	208972

**Numatic International Spare Parts**

**Model No:** TRL850 BRUSH DECK ASSEMBLY EXPLODED DRAWING

915434  
DRAWING: DRW-39456 ISS:A03  
23/11/2023

NB: FOR WIRING SEE DRAWING: DRW-40512



**Numatic International Spare Parts**

**Model No:** TRL850 BRUSH DECK ASSEMBLY EXPLODED DRAWING

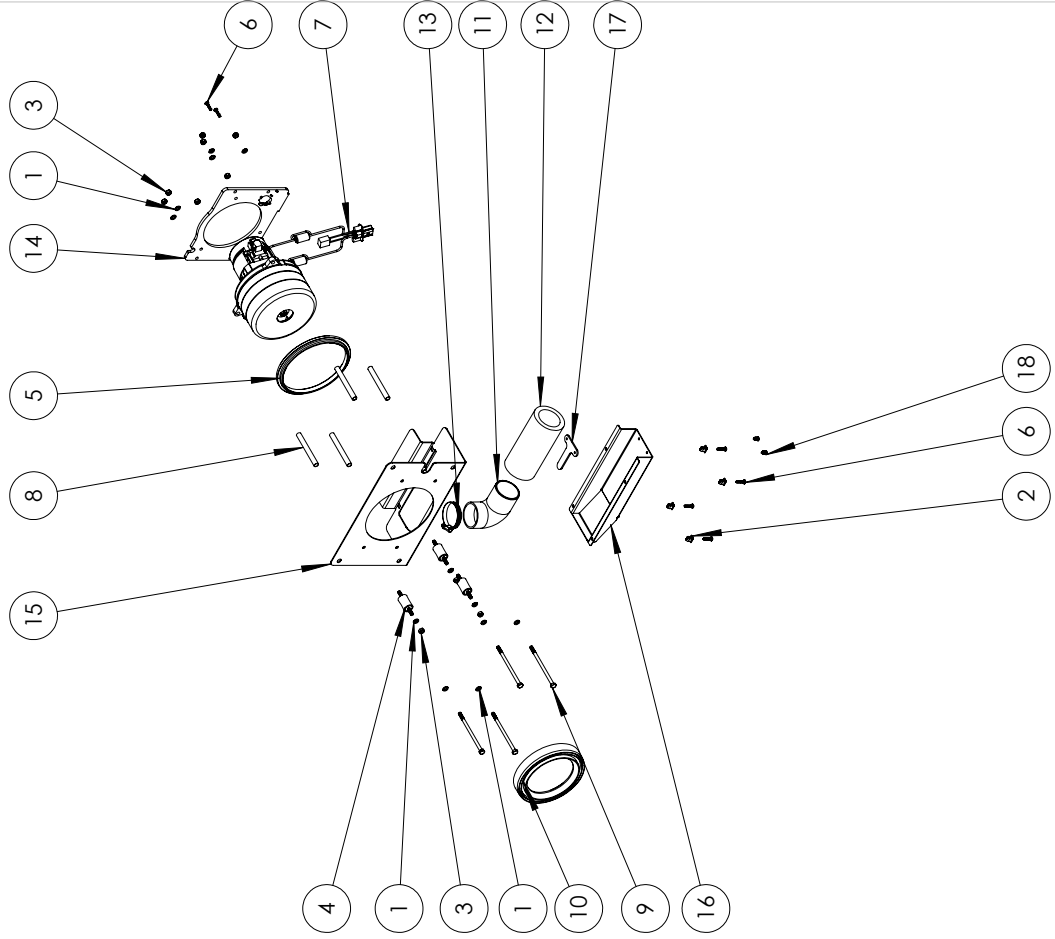
ITEM:	ITEM No:	DESCRIPTION:	COMMENTS:	QTY.
1	303803	WELDED BRUSH DECK RIGHT PIVOT PAINTED SILVER GREY		1
2	329816	BRUSH DECK CENTRE PIVOT PAINTED SILVER GREY		1
3	303802	WELDED BRUSH DECK LEFT PIVOT PAINTED SILVER GREY		1
4	329890	RIDE-ON RH BRUSH DECK WEIGHT		2
5	329889	RIDE-ON LH BRUSH DECK WEIGHT		2
6	206966	CHUCK CASTING		3
7	219560	M6 FORM B STAINLESS STEEL WASHER		18
8	206851	MOTOR MOUNTING SPACER		3
9	219983	M6 NYLOC STAINLESS STEEL FULL NUT		13
10	291021	M6 X 90MM LONG STAINLESS STEEL HEXAGONAL HEAD BOLT		3
11	219915	M6 X 80MM LONG STAINLESS STEEL HEXAGONAL HEAD BOLT		6
12	208024	PUSH IN BARBED FASTENER		2
13	206712	50MM DIAMETER BLACK WHEEL		2
14	219903	M10 FORM A STAINLESS STEEL WASHER		2
15	903430	M10 X 40MM LONG HEXAGONAL STAINLESS STEEL SCREW		2
16	219897	M10 STAINLESS STEEL NYLON INSERT NUT		2
17	208032	6MM BULKHEAD CONNECTOR		3
18	206981	BRUSH DECK PIVOT PIN		2
19	208058	SHOULDERED BUSH - Ø12.9MM I/D		8
20	905563	13MM EXTERNAL CIRCLIP ST/ST		8
21	219483	M6 NYLON WASHER		2
22	329920	BRUSH DECK SPRING PIVOT BRACKET		2
23	219701	M6 X 20MM LONG POZI PAN STAINLESS STEEL SCREW		2
24	208050	BRUSH DECK ROTATION SPRING		2
25	219843	6MM I/D X 9.5MM LONG SPIROL SPACER (STAINLESS STEEL)		2
26	902232	M6 X 25MM LONG POZI PAN SCREW STAINLESS STEEL		2
27	208135	CHUCK DOME		6
28	206957	DRIVE SYSTEM SPRING		6
29	206980	PIVOT TUBE		2
30	219302	M12 FORM B STAINLESS STEEL WASHER		4
31	392331	OCTO CHUCK PLASTIC COVER		3
32	916286	24V DC BRUSH DRIVE PM600 MOTOR/GEARBOX ASSEMBLY (14:1 RATIO) CW CHOKE & WATERPROOF CONNECTOR		3
33	291079	6MM X 30MM STAINLESS STEEL ROLL PIN		3

**Numatic International Spare Parts**

**Model No:** VAC MOTOR ASSEMBLY TVL860 3 STAGE

NB: FOR WIRING SEE DRAWING: DRW-40512

916452  
DRAWING: DRW-41006 ISS:A02  
10/07/2023



**Numatic International Spare Parts**

**Model No:** VAC MOTOR ASSEMBLY TVL860 3 STAGE

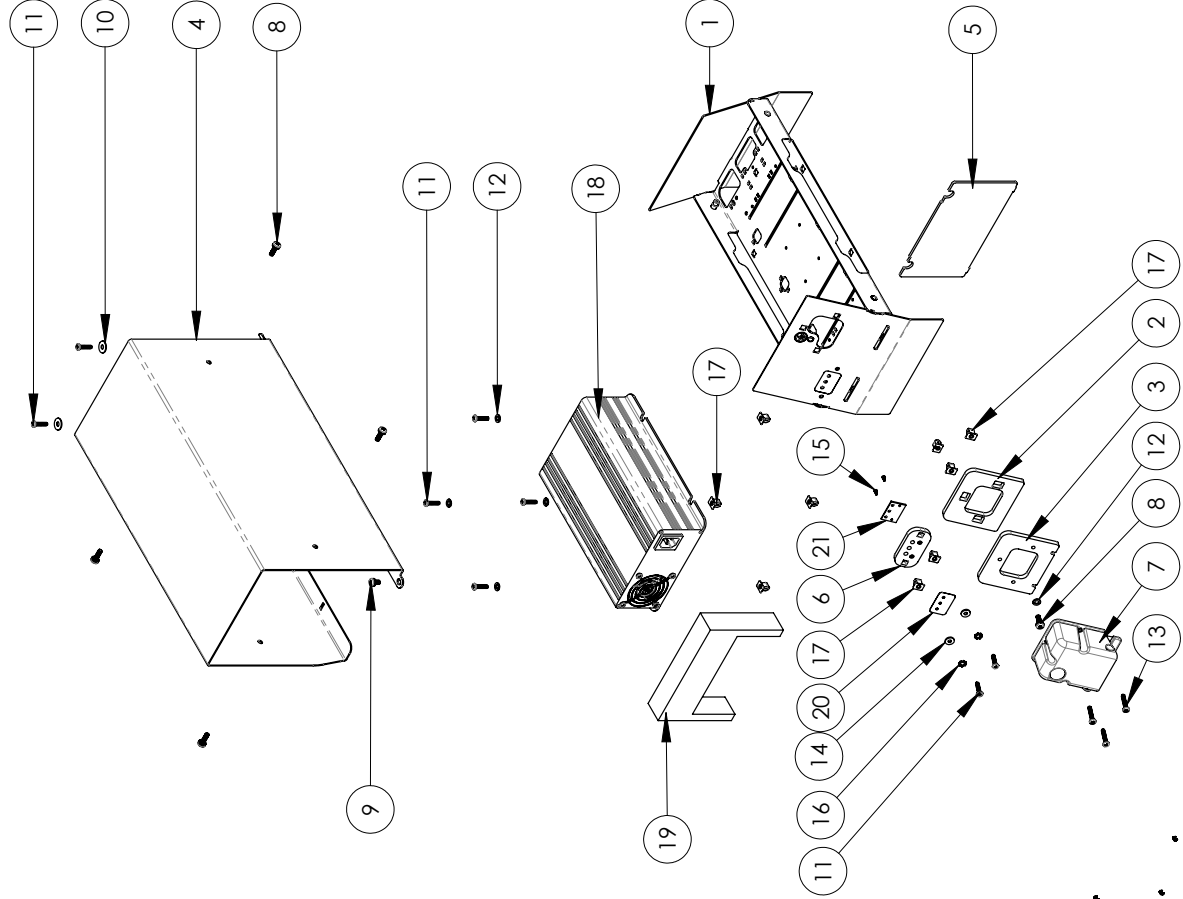
POS.	ITEM NO.	DESCRIPTION	COMMENTS	QTY.
1	219870	M6 FORM A WASHER STAINLESS STEEL		14
2	900986	NYLON GROMMET NUT (PLASTIC INSERT TO SUIT No 8 PLASTITE SCREW)		4
3	219642	M6 STAINLESS STEEL NYLON INSERT HALF NUT		10
4	208334	30MM X 20MM ANTI VIBRATION MOUNT		3
5	237032	>TPE < 3 STAGE MOTOR GASKET		1
6	219568	NO8.3/4 INCH LG.POZI- PAN.SCREW.STAINLESS STEEL.PLASTITE		6
7	916102	24V TANGENTIAL DISCHARGE 3-STAGE VAC MOTOR & PLUG ASSEMBLY		1
8	391266	88.5MM LONG X 10MM DIAMETER X 1MM WALL STAINLESS STEEL TUBE		4
9	905559	M6 X 110MM LONG HEXAGONAL HEAD BOLT ST/ST		4
10	202065	BOTTOM MOTOR GASKET		1
11	916449	DIP MOULDED ELBOW MODIFIED		1
12	208956	SILENCER FOAM TUBE 150MM		1
13	219919	32MM-50MM STAINLESS STEEL HOSE CLIP		1
14	908744	VAC MOTOR MIDDLE PLATE (TRG) PP		1
15	916910	VAC MOTOR BOTTOM PLATE SOUNDPROOF (TRG/TRL/TVL 3- STAGE) S/S		1
16	916912	FOAM SILENCER BOX COVER		1
17	916907	SILENCER CLAMP		1
18	914862	FIR TREE RIVET		2

**Numatic International Spare Parts**

**Model No:** 230V 20A CHARGER ASSEMBLY (TRL) EXPLODED DRAWING

915369  
DRAWING: DRW-39204 ISS:A02  
Internal Code: 17/07/2023

NB: FOR WIRING SEE DRAWING:



**Numatic International Spare Parts**

**Model No:** 230V 20A CHARGER ASSEMBLY (TRL) EXPLODED DRAWING

Pos.	Item_No	DESCRIPTION	QTY.
1	908733	CHARGER TRAY WELD ASSEMBLY (TRG) PAINTED SILVER	1
2	904505	IEC SOCKET SPACER PP	1
3	904504	IEC SOCKET SECONDARY SPACER PP	1
4	908731	CHARGER COVER (TRG) PAINTED SILVER	1
5	908734	CHARGER AIR DEFLECTOR (TRG) PP	1
6	908735	CHARGER LED PCB SPACER C/W INSERTS (TRG) PP	1
7	904032	240V EMI FILTER WITH SOCKET COVER ASSEMBLY C/W FLAP	1
8	291132	M5 X 16MM LONG STAINLESS STEEL POZI PAN SEMS SCREW	5
9	291135	M5 X 10MM LONG STAINLESS STEEL POZI PAN SEMS SCREW	1
10	219644	M5 FORM G STAINLESS STEEL WASHER	2
11	219568	NO8 3/4 INCH LG. POZI-PAN.SCREW.STAINLESS STEEL.PLASTITE	8
12	219355	M5 FORM A STAINLESS STEEL WASHER	5
13	219369	NO8 X 1 INCH LONG POZI PAN STAINLESS STEEL PLASTITE SCREW	3
14	219462	RUBBER WASHER REF NO. 0380810	2
15	905565	M2 X 6MM LONG POZI PAN SCREW ST/ST	2
16	291020	M5 STAINLESS STEEL EXTERNAL SHAKEPROOF LOCK WASHER	2
17	900986	NYLON GROMMET NUT (PLASTIC INSERT TO SUIT NO 8 PLASTITE SCREW)	9
18	914042	CHARGER. 24V.LFP	1
19	904576	AIR SEPARATOR (20A CHARGER)	1
20	208978	CHARGER LIGHTS OVERLAY	1
21	280002	CHARGER LED DISPLAY PCB	1


**Numatic International Limited (Head Office)**

Chard, Somerset TA20 2GB, UNITED KINGDOM

Tel: 01460 68600 numatic.com

**Numatic International GmbH**

Fränkische Straße 15-19, 30455 Hannover, DEUTSCHLAND

Tel: +49 (0) 511 984 2160 numatic.de

**Numatic International Denmark**

Fränkische Straße 15-19, 30455 Hannover, DEUTSCHLAND

Tel: +45 (0) 316 40808 numatic-online.dk

**Numatic International S.A.S**

13/17 rue du Valengelier, EAE la Tuilerie, 77500 Chelles, FRANCE

Tel: +33 (0) 164 726 161 numatic.fr

**Numatic International BV**

Vennootsweg 15, 2404 CG, Alphen aan den Rijn, NEDERLAND

Tel: +31 (0) 172 467 999 numatic.nl

**Numatic International Schweiz AG.**

Sihlbruggstrasse 3A, 6340 Baar, SCHWEIZ

Tel: +41 (0) 41 768 0760 numatic.ch

**Numatic International (PTY) Ltd.**

Cnr. 16th & Pharmaceutical Road, Randjes Park, Midrand 1685, SOUTH AFRICA

Tel: +27 (0) 861 686 284 numatic.co.za

**Numatic International ULDA**

Rua Francisco da Silva Duarte, nº79,

4475-269 Santa Maria de Avioso, Castelo da Maia, PORTUGAL

Tel: +351 220 047 700 numatic.pt

**Numatic International Spain, S.L.U.**

Av. Baix Llobregat, 5-7, Oficina bajos 1 (Parc Negocis Mas Blau II)

08820 El Prat de Llobregat (Barcelona), SPAIN

Tel: +34 93 647 22 22 numatic.es

**Numatic International Italy S.R.L**

Via Luigi Galvani, 2, Z.I. Talponedo, 33080 Porcia (PN), ITALY

Tel: +39 (0) 434 046 211 numatic.it