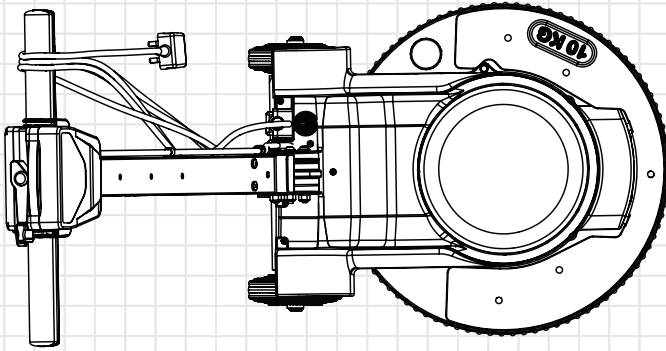
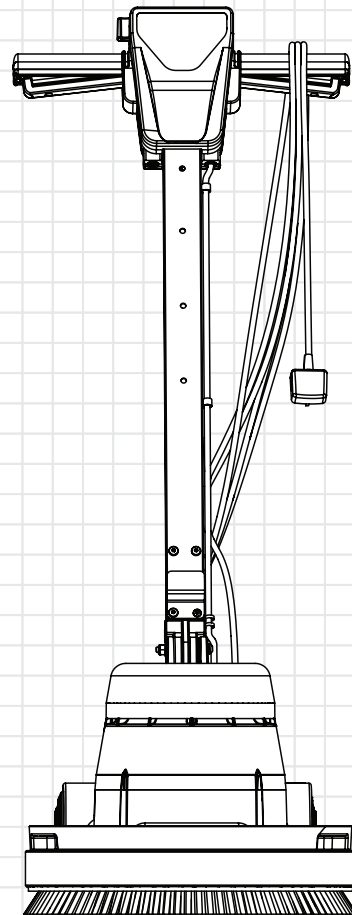
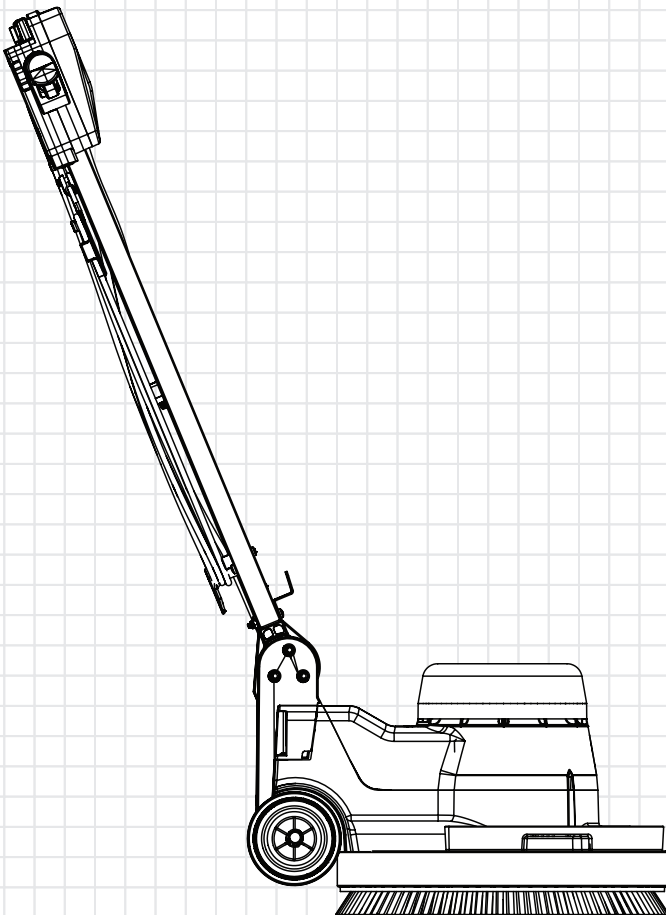


NR1500H



Service Engineer Exploded Drawings



DISCLAIMER:

These drawings are for part order reference only and intended for service engineers use.

The installation of Genuine Numatic spare parts should only be executed by Certified Numatic service engineers who specialised and familiar with all relevant safety regulations.

Numatic International Ltd do not accept responsibility or liability for any loss or damage to property or person if repairs or servicing of products are carried out by non-certified persons.

Specifications and parts are subject to change without notice.

HAFTUNGSAUSSCHLUSS:**DE**

Diese Zeichnungen dienen nur als Referenz für Teilebestellungen und sind nur für den Gebrauch durch Servicetechniker bestimmt.

Die Montage von originalen Numatic-Ersatzteilen darf nur von zertifizierten Numatic-Servicetechnikern ausgeführt werden, die mit allen relevanten Sicherheitsvorschriften vertraut sind.

Numatic International Ltd übernimmt keine Verantwortung oder Haftung für Verluste oder Schäden an Eigentum oder Personen, wenn Reparaturen oder Wartungsarbeiten an Produkten von nicht zertifizierten Personen durchgeführt werden.

Technische Daten und Teile können ohne vorherige Ankündigung geändert werden.

CLAUDE DE NON-RESPONSABILITÉ:**FR**

Ces schémas sont fournis à titre de référence de commande de pièces uniquement et sont destinés aux techniciens de maintenance.

L'installation de pièces de rechange Numatic d'origine doit être effectuée uniquement par des techniciens de maintenance Numatic certifiés spécialisés et familiarisés avec toutes les règles de sécurité applicables.

Numatic International Ltd décline toute responsabilité en cas de perte ou de dommage matériel ou personnel si des réparations ou l'entretien des produits sont effectués par des personnes non certifiées.

Les spécifications et les pièces sont susceptibles d'être modifiées sans préavis.

DISCLAIMER:**NL**

Deze tekeningen zijn uitsluitend bedoeld als referentie voor het bestellen van onderdelen en voor gebruik door servicemonteurs.

De installatie van originele reserveonderdelen van Numatic mag alleen worden uitgevoerd door gecertificeerde servicemonteurs van Numatic die gespecialiseerd zijn en bekend zijn met alle relevante veiligheidsvoorschriften.

Numatic International Ltd aanvaardt geen verantwoordelijkheid of aansprakelijkheid voor verlies of schade aan eigendommen of personen als reparaties of onderhoud aan producten worden uitgevoerd door niet-gecertificeerde personen.

Specificaties en onderdelen kunnen zonder voorafgaande kennisgeving worden gewijzigd.

RENÚNCIA DE RESPONSABILIDADE:**PT**

Estes desenhos servem apenas como referência para a encomenda de peças e destinam-se a ser utilizados pelos técnicos de assistência.

A instalação de peças sobresselentes genuínas da Numatic só deve ser efetuada por técnicos de assistência certificados da Numatic que se especializem e familiarizem com todos os regulamentos de segurança relevantes.

A Numatic International Ltd não aceita qualquer responsabilidade por perdas ou danos materiais ou pessoais se as reparações ou a manutenção dos produtos forem efetuadas por pessoas não certificadas.

As especificações e as peças estão sujeitas a alterações sem aviso prévio.

ESCLUSIONE DI RESPONSABILITÀ:**IT**

Questi disegni sono forniti solo come riferimento per l'ordine dei componenti e sono destinati all'uso da parte dei tecnici dell'assistenza.

L'installazione di ricambi originali Numatic deve essere eseguita esclusivamente da tecnici dell'assistenza certificati Numatic specializzati e a conoscenza di tutte le norme di sicurezza pertinenti.

Numatic International Ltd non si assume alcuna responsabilità per eventuali perdite o danni alla proprietà o alle persone se le riparazioni o la manutenzione dei prodotti vengono eseguite da persone non certificate.

Le specifiche e le parti sono soggette a modifiche senza preavviso.

EXENCIÓN DE RESPONSABILIDAD:**ES**

Estos esquemas solo se muestran como referencia para pedir piezas y para su uso por parte de ingenieros de mantenimiento.

La instalación de recambios originales de Numatic solo deben realizarla los ingenieros de mantenimiento homologados de Numatic que estén especializados y familiarizados con las normativas de seguridad pertinentes.

Numatic International Ltd no acepta la responsabilidad de cualquier pérdida o daño a la propiedad o a las personas si las reparaciones o el mantenimiento de los productos se llevan a cabo por personas sin certificación.

Las especificaciones y piezas están sujetas a cambios sin previo aviso.

ZASTRZEŻENIE:**PL**

Rysunki te służą wyłącznie do celów referencyjnych podczas zamawiania części i są przeznaczone do użytku przez inżynierów serwisowych.

Montaż oryginalnych części zamiennych Numatic powinien być wykonywany wyłącznie przez certyfikowanych serwisantów firmy Numatic, którzy posiadają odpowiednie kwalifikacje i znają wszystkie odpowiednie przepisy bezpieczeństwa.

Firma Numatic International Ltd nie ponosi odpowiedzialności za jakiegokolwiek straty lub szkody majątkowe i osobiste, jeśli naprawy lub serwisowanie produktów są przeprowadzane przez osoby nieposiadające certyfikatu.

Dane techniczne i części mogą zostać zmienione bez powiadomienia.

FRISKRIVNINGSKLAUSUL:**SV**

Dessa ritningar är endast avsedda för referens vid beställning av reservdelar och är avsedda för servicetekniker.

Installation av originalreservdelar från Numatic får endast utföras av certifierade Numatic-servicetekniker som specialiserar sig på och känner till alla relevanta säkerhetsföreskrifter.

Numatic International Ltd påtar sig inget ansvar för förlust eller skada på egendom eller person om reparationer eller service av produkter utförs av icke-certifierade personer.

Specifikationerna och produktens delar kan ändras utan föregående meddelande.

VASTUUVAPAUCLAUSEKE:**FI**

Nämä piirrokset on tarkoitettu ainoastaan osien tilaamisen avuksi ja ainoastaan huoltoinsinöörin käyttöön. Aitoja Numatic-varaosia saavat asentaa vain sertifioidut Numatic-huoltoinsinöörit, jotka ovat perehtyneet kaikkiin asiaankuuluviin turvamääräyksiin.

Numatic International Ltd ei ole vastuussa mistään omaisuus- tai henkilövahingoista, jos sertifioidut henkilöt ovat korjanneet tai huoltaneet tuotteita.

Teknisiä ominaisuuksia ja osia voidaan muuttaa ilman erillistä ilmoitusta.

ANSVARFRASKRIVELSE:**DA**

Disse tegninger er kun til reference for reservedelsordrer og er beregnet til serviceteknikere.

Montering af originale Numatic-reservedele må kun udføres af certificerede Numatic-serviceteknikere, der er specialiseret i og har kendskab til alle relevante sikkerhedsbestemmelser.

Numatic International Ltd påtager sig intet ansvar for tab eller skade på ejendom eller person, hvis reparationer eller service på produkter foretages af ikke-certificerede personer.

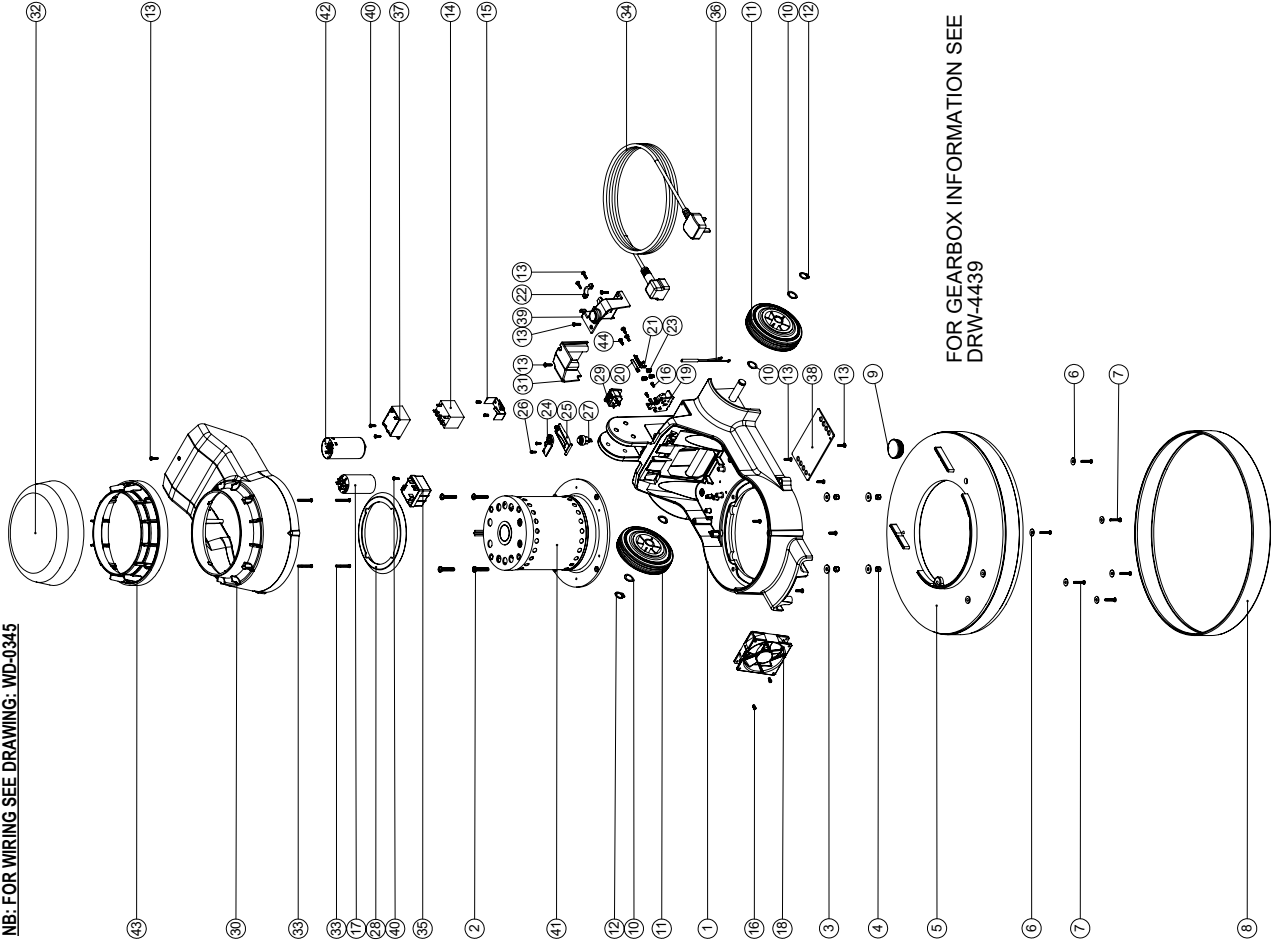
Specifikationer og dele kan ændres uden varsel.

Numatic International Spare Parts

Model No: NR 1500H BASE ASSEMBLY EXPLODED DRAWING (EXP-0918)

234487
DRAWING: EXP-0918 ISS:A19
13/05/2010

NB: FOR WIRING SEE DRAWING: WD-0345



Numatic International Spare Parts

Model No: NR 1500H BASE ASSEMBLY EXPLODED DRAWING (EXP-0918)

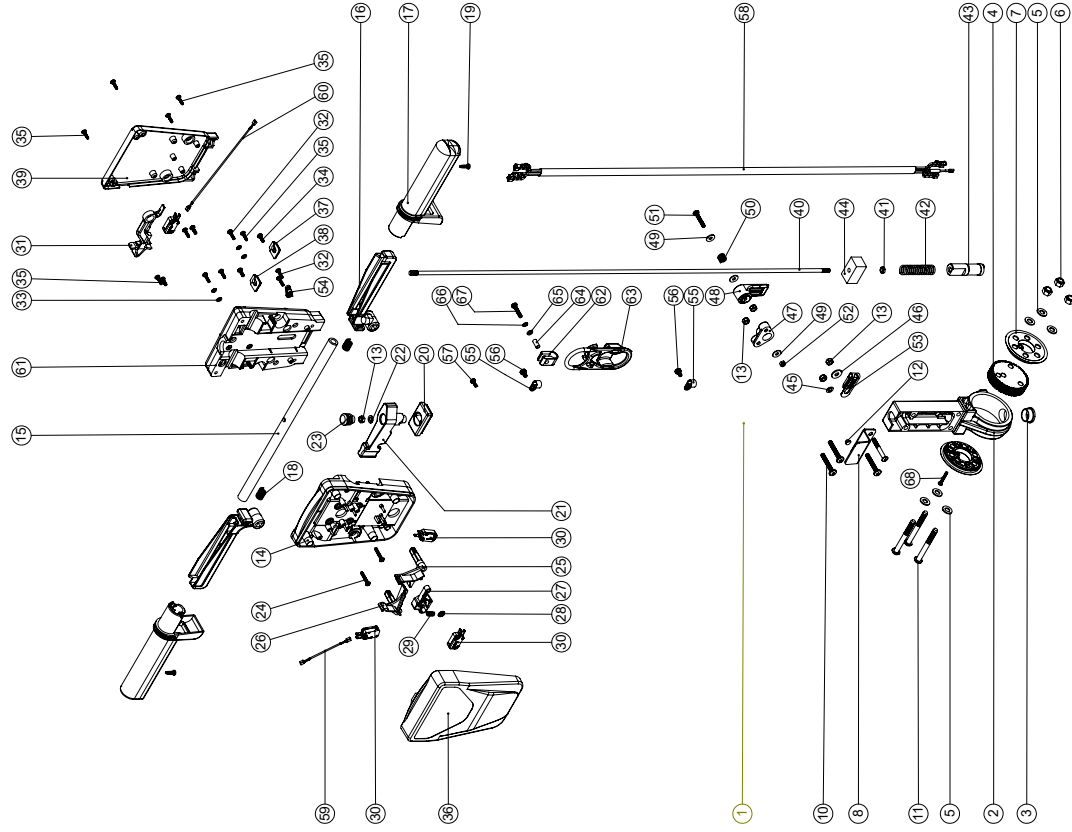
| POS. | ITEM NO. | DESCRIPTION: | COMMENTS: |
|------|----------|--|-----------|
| 1 | 338580 | PRINTED GRAPHITE BASE MOULDING SUB ASSEMBLY C/W M6 MUL TIBERT | |
| 2 | 219268 | M6 X 35MM LONG POZI PAN SCREW | |
| 3 | 219008 | M6 FORM G WASHER | |
| 4 | 219088 | M6 NYLON INSERT NUT | |
| 5 | 329110 | GREY SANDING DECK | |
| 6 | 219644 | M5 FORM G STAINLESS STEEL WASHER | |
| 7 | 219369 | N68 X 1 INCH LONG POZI PAN STAINLESS STEEL PLASTITE SCREW | |
| 8 | 206478 | MEDIUM GREY (RAL7011) BUFFER RING | |
| 9 | 229400 | BLACK END STOP | |
| 10 | 219219 | 21.5MM X 16.3MM WAVE WASHER | |
| 11 | 220060 | WHEEL GREY BLACK HUB | |
| 12 | 228051 | EXTERNAL CIRCLIP | |
| 13 | 219874 | IN06 X 5/8 INCH LONG POZI PAN PLASTITE STAINLESS STEEL SCREW | |
| 14 | 206875 | 240V / 25A RELAY | |
| 15 | 206500 | RELAY BRACKET | |
| 16 | 219651 | M4 X 10MM LONG POZI PAN THREAD CUTTING SCREW | |
| 17 | 220876 | 20 MFD MOTOR RUN CAPACITOR (450V) | |
| 18 | 205072 | PROCESSED 12V DC BRUSHLESS FAN | |
| 19 | 216288 | TERMINAL BLOCK | |
| 20 | 206562 | CONTACT PIN | |
| 21 | 206563 | EARTH CONTACT PIN | |
| 22 | 216290 | CABLE CLAMP 16A PLUGGED | |
| 23 | 219009 | M4 BRASS TAPPEX INSERT | |
| 24 | 216293 | LEVER PLATE | |
| 25 | 216292 | CUT OUT LEVER | |
| 26 | 219677 | N64 X 10MM LONG POZI PAN PLASTITE SCREW | |
| 27 | 229454 | HANDLE SWITCH | |
| 28 | 227556 | TOP MOTOR GASKET | |
| 29 | 220964 | APPLIANCE OUTPUT SOCKET | |
| 30 | 229441 | FLOOR MACHINE MIDDLE SECTION MOULDING | |
| 31 | 216291 | OUTPUT COVER | |
| 32 | 328112 | NU SPEED TOP SECTION MOULDING PRINTED | |
| 33 | 236136 | MAINS CABLE (15.0 METERS / 1.5MM / 3 CORE YELLOW CABLE / SOCKET + EURO PLUG) | |
| 34 | 236087 | MAINS CABLE (15.0 METERS / 1.5MM / 3 CORE CABLE / SOCKET + AUSTRALIAN PLUG) | |
| 35 | 236078 | MAINS CABLE (15.0 METERS / 1.5MM / 3 CORE CABLE / SOCKET + SWISS PLUG) | |
| 36 | 236081 | MAINS CABLE (15.0 METERS / 1.5MM / 3 CORE CABLE / SOCKET + SOUTH AFRICAN PLUG) | |
| 37 | 219648 | IN06 X 1 3/8 INCH LONG POZI PAN SCREW | |
| 38 | 236072 | MAINS CABLE (15.0 METERS / 1.5MM / 3 CORE CABLE / SOCKET + UK PLUG) | |
| 39 | 206822 | 110/120V VOLTAGE RELAY | |
| 40 | 321193 | AC LED WITH TERMINALS | |
| 41 | 206753 | UNIVERSAL POWER SUPPLY | |
| 42 | 329228 | GAURD PLATE | |
| 43 | 206865 | 16A INPUT COVER C/W WINDOW PLUG | |
| 44 | 219318 | N66 X 1/2 INCH LONG POZI PAN PLASTITE SCREW (Z/PL) | |
| 45 | 205217 | COMBINED INDUCTION MOTOR 4POLE 220-240V 50HZ | |
| 46 | 208266 | MOTOR START CAPACITOR 98 MFD | |
| 47 | 229466 | GREY TALL MOTOR INSERT MOULDING | |
| 48 | 219471 | M6 X 12MM LONG POZI PAN SEMS SCREW | |

Numatic International Spare Parts

Model No: NR HANDLE ASSEMBLY EXPLODED DRAWING (EXP-0943)

234514
DRAWING: EXP-0943 ISS:A18
01/03/2022

NB: FOR WIRING SEE DRAWING: WD-0345



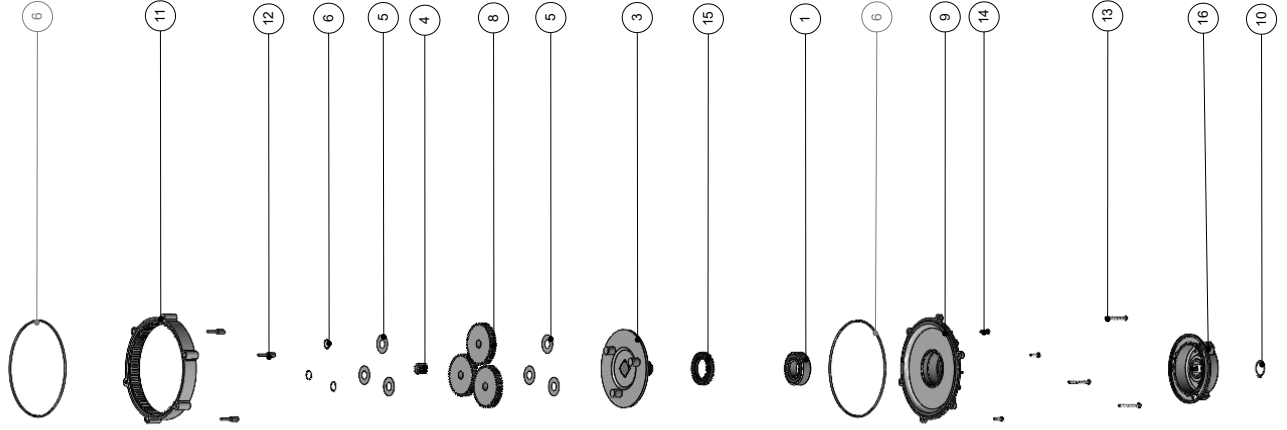
Numatic International Spare Parts

Model No: NR HANDLE ASSEMBLY EXPLODED DRAWING (EXP-0943)

| ITEM: | PART No: | DESCRIPTION | COMMENTS | QTY. |
|-------|----------|--|--------------------|------|
| 1 | 429096 | LOLINE HANDLE TUBE PAINTED (830) | | 1 |
| 2 | 900398 | HANDLE CASTING MACHINED (HNS VERSION) | | 1 |
| 3 | 229099 | 25MM DIA HOLE PLUG | | 1 |
| 4 | 900397 | MINI ADJUSTMENT GEAR | | 1 |
| 5 | 219010 | M8 FORM A WASHER | | 6 |
| 6 | 219078 | NUT M8 NYLON INSERT Z/PL | | 3 |
| 7 | 900396 | ADJUSTMENT GEAR SPACER | | 2 |
| 8 | 329000 | HANDLE BRACKET | | 1 |
| 9 | 219881 | M6 X 45MM SOCKET BUTTON HEAD SCREW | | 1 |
| 10 | 902522 | M6 X 40MM LONG SOCKET BUTTON HEAD STAINLESS STEEL BOLT | | 3 |
| 11 | 219806 | M8 X 70MM LONG SOCKET BUTTON HEAD BOLT | | 3 |
| 12 | 229009 | BLANKING PLUG | | 1 |
| 13 | 219642 | M6 STAINLESS STEEL NYLON INSERT HALF NUT | | 5 |
| 14 | 227576 | TALC FILLED FRONT INNER HALF MOULDING | | 1 |
| 15 | 388289 | CROSS TUBE | | 1 |
| 16 | 227581 | TRIGGER MOULDING (GREY) | RED VERSION 903547 | 2 |
| 17 | 227580 | HAND GRIP MOULDING | | 2 |
| 18 | 219803 | TRIGGER COMPRESSION SPRING | | 2 |
| 19 | 219036 | N68 X 5/8 INCH LONG POZI PAN SELF TAPPING SCREW | | 2 |
| 20 | 227582 | HANDLE PLUG MOULDING | | 1 |
| 21 | 227583 | ADJUSTMENT LEVER MOULDING | RED VERSION 903546 | 1 |
| 22 | 219493 | M6 NYLON WASHER | RED VERSION 903545 | 1 |
| 23 | 20638V | 19MM BLACK TUBE END STOP | | 1 |
| 24 | 219369 | N68 X 1 INCH LONG POZI PAN STAINLESS STEEL PLASTITTE SCREW | | 2 |
| 25 | 227585 | LEFT HAND SWITCH OPERATING LEVER MOULDING | | 1 |
| 26 | 227586 | RIGHT HAND SWITCH OPERATING LEVER MOULDING | | 1 |
| 27 | 227587 | CENTRE SWITCH OPERATING LEVER MOULDING | | 1 |
| 28 | 219805 | 4MM SPIREX | | 1 |
| 29 | 219804 | SWITCH COMPRESSION SPRING | | 1 |
| 30 | 229483 | SNAP ACTION SWITCH | | 4 |
| 31 | 227584 | INTERLOCK LEVER MOULDING | | 1 |
| 32 | 219914 | N68 X 5/8 INCH LONG POZI-PAN PLASTITTE STAINLESS STEEL SCREW | | 4 |
| 33 | 219206 | M4 FORM A WASHER | | 4 |
| 34 | 219569 | N68 X 1/2 INCH LONG POZI PAN STAINLESS STEEL PLASTITTE SCREW | | 4 |
| 35 | 219370 | N68 X 5/8 INCH LONG PLASTITTE STAINLESS STEEL SCREW | | 8 |
| 36 | 318959 | PRINTED FRONT COVER MOULDING | | 1 |
| 37 | 329539 | MODIFIED BLANKING PLATE | | 1 |
| 38 | 227666 | BLANKING PLUG | | 1 |
| 39 | 318968 | PRINTED REAR COVER MOULDING | | 1 |
| 40 | 229484 | 840MM HANDLE LOCKING ROD | | 1 |
| 41 | 219099 | M6 HALF NUT | | 1 |
| 42 | 229138 | SPRING 15.65MM OD 76.5MM FREE LENGTH | | 1 |
| 43 | 229073 | GEAR LOCKING PIN | | 1 |
| 44 | 229030 | ANTI VIBRATION PAD | | 1 |
| 45 | 219560 | M6 FORM B STAINLESS STEEL WASHER | | 1 |
| 46 | 219008 | M6 FORM G WASHER | | 1 |
| 47 | 227806 | CABLE RELEASE BASE MOULDING | RED VERSION 903882 | 1 |
| 48 | 227807 | CABLE RELEASE TOP MOULDING | RED VERSION 903883 | 1 |
| 49 | 219644 | M5 FORM G STAINLESS STEEL WASHER | | 3 |
| 50 | 206599 | SPRING 10.65MM OD 16.5MM FREE LENGTH | | 1 |
| 51 | 219720 | M5 X 30MM LONG STAINLESS STEEL POZI PAN SCREW | | 1 |
| 52 | 219633 | M5 STAINLESS STEEL NYLON INSERT NUT | | 1 |
| 53 | 229139 | P-CLIP | | 1 |
| 54 | 229669 | LOLINE HANDLE CABLE CLAMP | | 1 |
| 55 | 219393 | P-CLIP | | 2 |
| 56 | 291135 | M5 X 10MM LONG STAINLESS STEEL POZI PAN SEMS SCREW | | 2 |
| 57 | 219471 | M4 X 12MM LONG POZI PAN SEMS SCREW | | 1 |
| 58 | 230134 | NR 5 CORE LOOM ASSEMBLY (UK/EURO) | | 1 |
| 59 | 321247 | 60MM LONG BLUE LINK WIRE | | 1 |
| 60 | 321248 | 180MM LONG BLUE LINK WIRE | | 1 |
| 61 | 229509 | REAR INNER HALF MOULDING (FR) | | 1 |
| 62 | 219743 | CABLE CLEAT | | 1 |
| 63 | 902312 | CABLE STRESS RELIEF | | 1 |
| 64 | 903192 | SPIROL SPACER SP100 5MM NOM ID x 14MM | | 1 |
| 65 | 219355 | M5 FORM A STAINLESS STEEL WASHER | | 1 |
| 66 | 291084 | M5 SHAKEPROOF WASHER STAINLESS STEEL | | 1 |
| 67 | 219575 | M5 X 25MM LONG POZI PAN STAINLESS STEEL SCREW | | 1 |
| 68 | 291150 | N68 X 1 INCH LONG POZI PAN SCREW S/S | | 1 |

Numatic International Spare Parts

Model No: HFM, NPR & NR RANGE GEARBOX EXPLODED DRAWING (ALL SPEEDS) ISS:A04
 233756
 DRAWING: DRW-4439
 2/10/13



Numatic International Spare Parts

Model No: HFM, NPR & NR RANGE GEARBOX EXPLODED DRAWING (ALL SPEEDS)

| POS | ITEM NO | DESCRIPTION | COMMENTS |
|-----|---------|---|---|
| 1 | 230094 | 62MM O.D X .30MM I.D X 20MM BEARING (WITH SEALS) | HFM/NPR 1515/S & NR 1500S |
| 2 | 230291 | PLANET CARRIER & PIN ASSEMBLY (50HZ STANDARD SPEED) | HFM/NPR 1523/M, NPR1545/X, NR 1500M & NRS450 |
| | 230292 | PLANET CARRIER & PIN ASSEMBLY (60HZ HIGH SPEED) | HFM/NPR 1530/H & NR1500H |
| | 230294 | PLANET CARRIER & PIN ASSEMBLY (HIGH SPEED) | HFM/NPR 1515/S & NR 1500S |
| 3 | 230027 | 12 TOOTH PINION GEAR (STANDARD SPEED) | HFM/NPR 1523/M, HFM/NPR 1545/X, NR 1500M & NRS450 |
| | 230025 | 20 TOOTH PINION GEAR (50HZ MEDIUM/60HZ HIGH SPEED) | HFM/NPR 1530/H & NR1500H |
| | 230028 | 24 TOOTH PINION GEAR (HIGH SPEED) | HFM/NPR 1530/H & NR1500H |
| 4 | 230215 | 35MM X 15 I.D ALUMINIUM WASHER | |
| 5 | 230015 | 15MM EXTERNAL CIRCLIP | |
| 6 | 230001 | 60 Degree Oil V Seal | |
| 7 | 230013 | 48 TOOTH SPUR GEAR (STANDARD SPEED 50/60HZ) | HFM/NPR 1515/S & NR 1500S |
| | 230026 | 44 TOOTH SPUR GEAR (60HZ MEDIUM/60HZ HIGH SPEED) | HFM/NPR 1523/M, HFM/NPR1545/X, NR 1500M & NRS450 |
| | 230014 | 42 TOOTH SPUR GEAR (HIGH SPEED 50HZ) | HFM/NPR 1530/H & NR1500H |
| 8 | 230226 | DIE CAST BOTTOM PLATE | |
| 9 | 230048 | 26MM EXTERNAL CIRCLIP | |
| 10 | 214115 | GEAR BOX MID SECTION | |
| 11 | 208207 | GEARBOX FASTENER WITH SLOT | |
| 12 | 219706 | M5 X 45MM LONG STAINLESS STEEL HEXAGONAL BOLT | |
| 13 | 219904 | M5 X 16MM LONG HEXAGONAL STAINLESS STEEL BOLT | |
| 14 | 230158 | VITON OIL SEAL (BROWN) | |
| 15 | 330024 | DIE CAST CHUCK MACHINED & PROCESSED | |

Numatic International Limited (Head Office)

Chard, Somerset TA20 2GB, UNITED KINGDOM

Tel: 01460 68600 numatic.com

Numatic International GmbH

Fränkische Straße 15-19, 30455 Hannover, DEUTSCHLAND

Tel: +49 (0) 511 984 2160 numatic.de

Numatic International Denmark

Fränkische Straße 15-19, 30455 Hannover, DEUTSCHLAND

Tel: +45 (0) 316 40808 numatic-online.dk

Numatic International S.A.S

13/17 rue du Valengelier, EAE la Tuilerie, 77500 Chelles, FRANCE

Tel: +33 (0) 164 726 161 numatic.fr

Numatic International BV

Vennootsweg 15, 2404 CG, Alphen aan den Rijn, NEDERLAND

Tel: +31 (0) 172 467 999 numatic.nl

Numatic International Schweiz AG.

Sihlbruggstrasse 3A, 6340 Baar, SCHWEIZ

Tel: +41 (0) 41 768 0760 numatic.ch

Numatic International (PTY) Ltd.

Cnr. 16th & Pharmaceutical Road, Randjes Park, Midrand 1685, SOUTH AFRICA

Tel: +27 (0) 861 686 284 numatic.co.za

Numatic International ULDA

Rua Francisco da Silva Duarte, nº79,

4475-269 Santa Maria de Avioso, Castelo da Maia, PORTUGAL

Tel: +351 220 047 700 numatic.pt

Numatic International Spain, S.L.U.

Av. Baix Llobregat, 5-7, Oficina bajos 1 (Parc Negocis Mas Blau II)

08820 El Prat de Llobregat (Barcelona), SPAIN

Tel: +34 93 647 22 22 numatic.es

Numatic International Italy S.R.L

Via Luigi Galvani, 2, Z.I. Talponedo, 33080 Porcia (PN), ITALY

Tel: +39 (0) 434 046 211 numatic.it