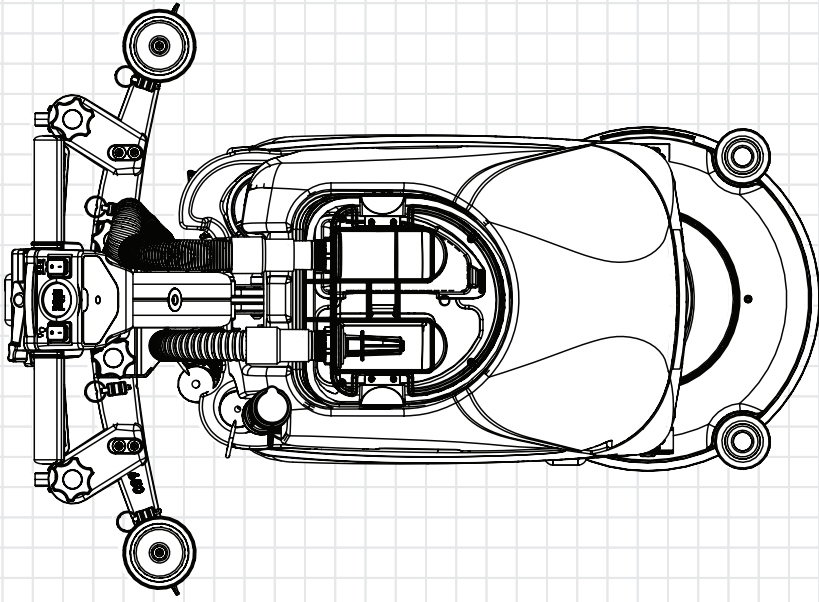
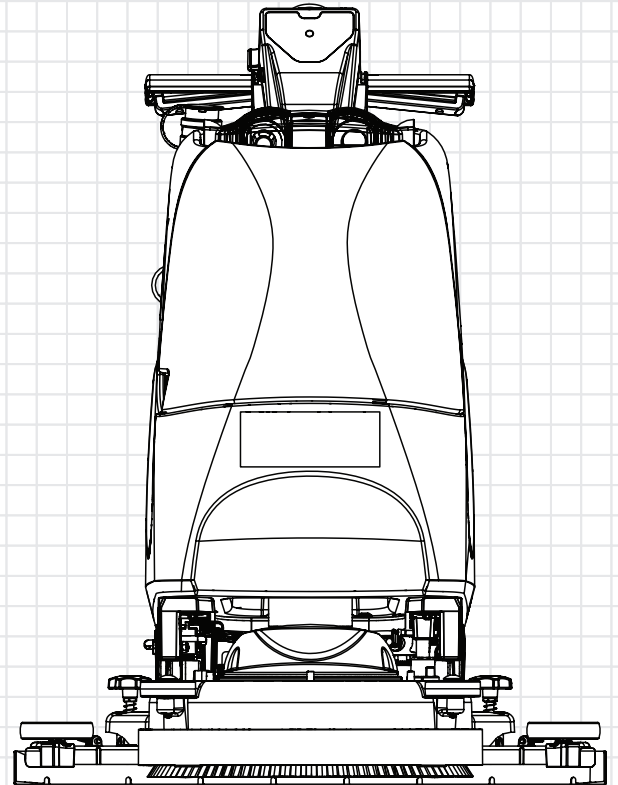
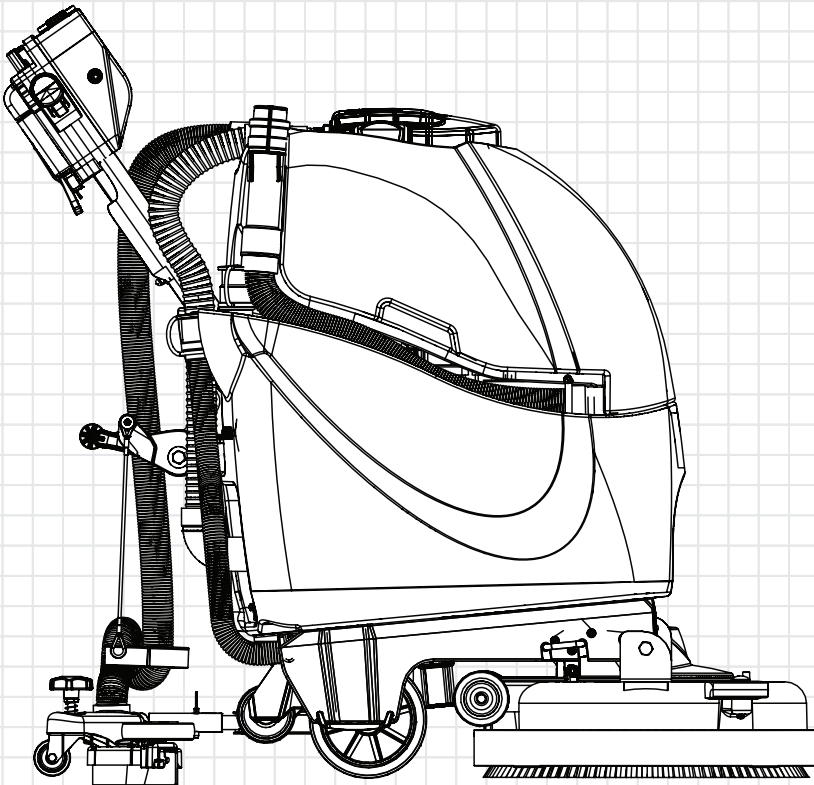


TGB3045 Chargerless



Service Engineer Exploded Drawings



DISCLAIMER:

These drawings are for part order reference only and intended for service engineers use.

The installation of Genuine Numatic spare parts should only be executed by Certified Numatic service engineers who specialised and familiar with all relevant safety regulations.

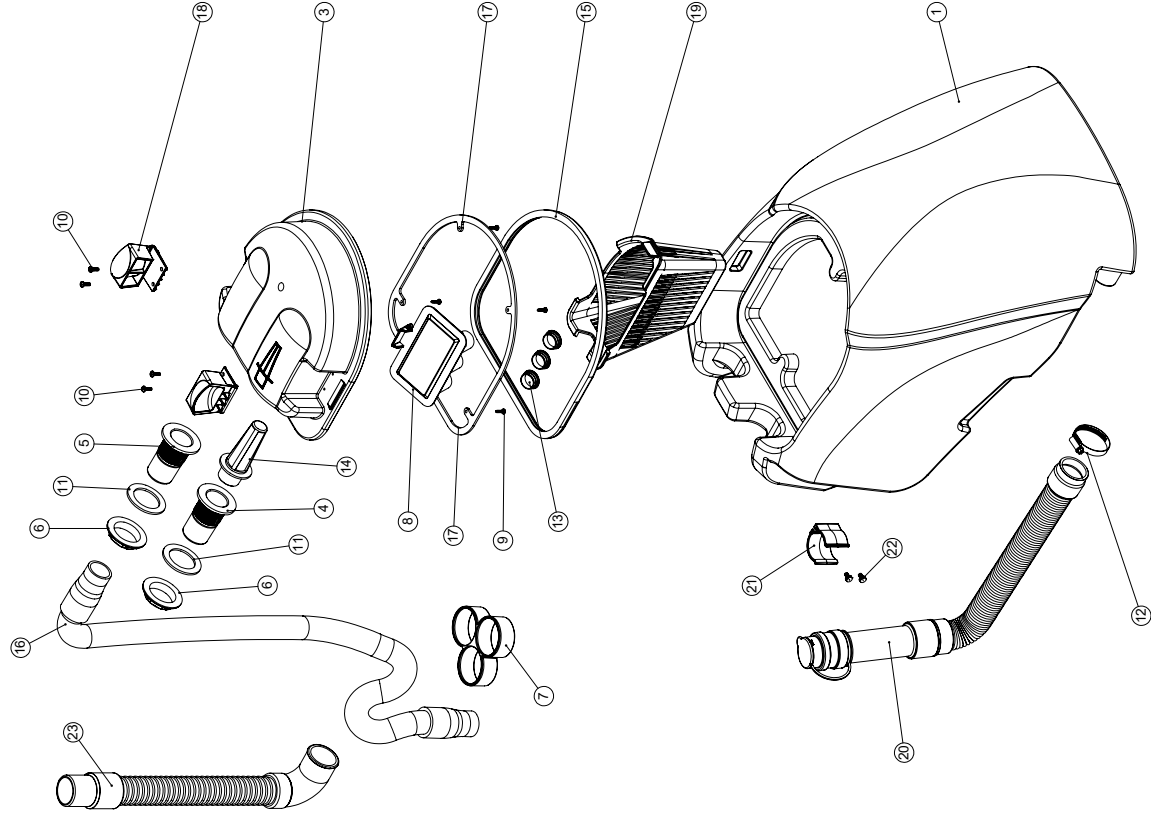
Numatic International Ltd do not accept responsibility or liability for any loss or damage to property or person if repairs or servicing of products are carried out by non-certified persons.

Specifications and parts are subject to change without notice.

Numatic International Spare Parts

Model No: TGB 3045 (& HGB) TOP TANK ASSEMBLY EXPLODED VIEW

903638
 Internal Code: DRAWING: DRW-21692 ISS:A21
 07/09/2021



Numatic International Spare Parts

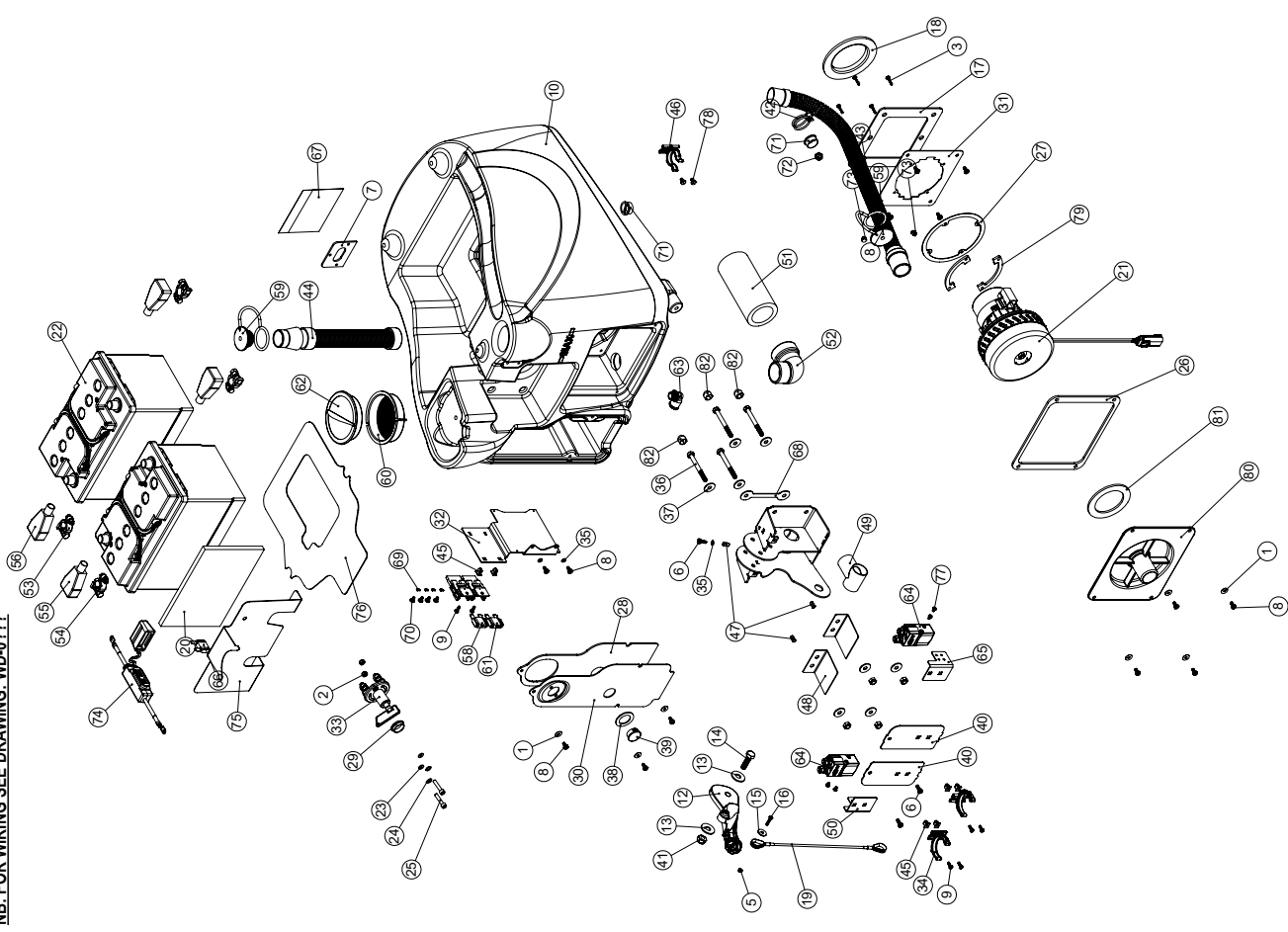
Model No: TGB 3045 (& HGB) TOP TANK ASSEMBLY EXPLODED VIEW

ITEM:	PART No:	Description	Comments	QTY
1	N/A	TGB3045 TOP TANK MOULDING		1
	904727	HGB3045 TOP TANK MOULDING (BLACK)	HGB	
3	237381	INTEGRATED CHASSIS SEPARATOR		1
4	237526	38MM RED DRAIN HOSE CONNECTOR		1
5	237018	38MM DRAIN HOSE CONNECTOR		1
6	206116	BLACK NUT		2
7	237718	HOSE GUIDE		1
8	237090	SEPARATOR FLOAT MOULDING (MK 2)		1
9	219852	N06 X 1/2 LONG POZI PAN STAINLESS STEEL SELF TAP SCREW		4
10	219569	N08 X 1/2 INCH LONG POZI PAN STAINLESS STEEL PLASTITE SCREW		4
11	219310	RUBBER WASHER		2
12	219919	32MM-50MM STAINLESS STEEL HOSE CLIP		1
13	206315	TUBE END PLUG		3
14	206265	TT/B 345 BARREL FILTER		1
15	208591	NEW SEPARATOR GASKET		1
16	N/A	35MM X 690MM LONG 3:1 STRETCH HOSE (SHORT & LONG CUFF)		1
17	392200	FILTER GASKET RING		1
18	902919	CLIP MOULDING (RED)		2
19	906070	MESHLESS FILTER BASKET		1
20	N/A	35MM X 250MM STRETCH HOSE (3:1) C/W ADJUSTABLE CUFF + CAP		1
21	237382	ACETAL HOSE CLIP MOULDING		1
22	291135	M5 X 10MM LONG STAINLESS STEEL POZI PAN SEMS SCREW		2
23	905520	VAC HOSE 580MM X Ø38MM		1

Numatic International Spare Parts

Model No.: TGB 3045 CHARGERLESS BOTTOM TANK ASSEMBLY EXPLODED VIEW

NB: FOR WIRING SEE DRAWING: WD-0777



904619
DRAWING: DRW-23857 ISS:A13
30/07/2019

Numatic International Spare Parts

Model No.: TGB 3045 CHARGERLESS BOTTOM TANK ASSEMBLY EXPLODED VIEW

ITEM:	PART No:	DESCRIPTION	COMMENTS:	QTY:
1	2196441	M5 FORM G STAINLESS STEEL WASHER		7
2	2196442	M6 STAINLESS STEEL NYLON INSERT HALF NUT		2
3	2195688	N08 3/4 INCH LG POZI PAN SCREW STAINLESS STEEL PLASTITE		4
4	2196839	M4 STAINLESS STEEL NYLON INSERT NUT		4
5	2196837	M4 STAINLESS STEEL NYLON INSERT NUT		4
6	291132	M5 X 16MM LONG STAINLESS STEEL POZI PAN SEMS SCREW		3
7	202105	SOCKET COVER SEALING GASKET		1
8	291131	M5 X 12MM LONG STAINLESS STEEL POZI PAN SEMS SCREW		13
9	2195689	N08 X 1/2 INCH LONG POZI PAN STAINLESS STEEL PLASTITE SCREW		6
10	902590	TGB 3045 BOTTOM TANK MOLDING (GRAPHITE)		1
11	903612	TGB 3045 HANDLE MOUNT WELD ASSEMBLY Z/PL		1
12	902324	RED SQUEEGEE LIFT HANDLE		1
13	291124	M10 PENNY WASHER STAINLESS STEEL		2
14	219895	M10 X 35MM LONG HEXAGONAL STAINLESS STEEL SCREW		1
15	291118	M5 STAINLESS STEEL WASHER 19MM OD		1
16	219686	M4 X 20MM LONG STAINLESS STEEL POZI PAN MACHINE SCREW		1
17	208789	T1 MOTOR PLATE GASKET		1
18	202008	MOTOR CAP GASKET		1
19	208922	T1 LIFTING WIRE		1
20	208645	FOAM BATTERY SPACER		1
21	903292	VAC MOTOR ASSEMBLY		1
22	220868	12V TRACTION BLOCK BATTERY		2
23	219462	RUBBER WASHER REF NO. 0380810		2
24	219560	M6 FORM B STAINLESS STEEL WASHER		2
25	219477	M6 X 30MM STAINLESS STEEL CAP HEAD SCREW		2
26	902275	VAC PLATE GASKET		1
27	202139	MOTOR GASKET		1
28	902708	CHARGER & PCB PLATE GASKET		1
29	902331	GF PVC GROMMET (26MM X 22MM X 2MM)		1
30	902707	CHARGER & PCB COVER PLATE		1
31	902709	VAC MOTOR PLATE (GCL)		1
32	902706	CHARGER & PCB BRACKET		1
33	206746	MASTER KEY SWITCH & KEY		1
34	237754	35-38MM HOSE CLIP		2
35	219355	M5 FORM A STAINLESS STEEL WASHER		3
36	291123	M8 X 75 LONG HEX HEAD BOLT STAINLESS STEEL		4
37	219716	M8 FORM G STAINLESS STEEL WASHER		8
38	902328	WINDOW PLUG		1
39	206314	WINDOW PLUG		1
40	903539	HANDLE MOUNT COVER PAINTED SILVER		1
41	219897	M10 STAINLESS STEEL NYLON INSERT NUT		2
42	902133	SPRING WIRE CLAMP (VDNAC-Y8010356)		1
43	N/A	DUMP HOSE		1
44	208960	T/BTT FILLING HOSE		1
45	900986	NYLON GROMMET NUT (PLASTIC INSERT TO SUIT NO 8 PLASTITE SCREW)		6
46	901916	28mm HOSE CLIP		1
47	219558	M5 STAINLESS STEEL NUTSERT		3
48	903589	COVER PLATE		2
49	903600	T SHAPE DIP MOLDING		1
50	903588	CONTACTOR PLATE (LEFT)		1
51	208956	SILENCER FOAM TUBE 150MM		1
52	206563	DIP MOULDED ELBOW (MAINS VERSION)		1
53	220455	BATTERY TERMINAL CONVERTOR		2
54	220454	POSITIVE BATTERY TERMINAL CONVERTER		2
55	208935	RED BATTERY TERMINAL COVER (415N8V02)		2
56	208936	BLACK BATTERY TERMINAL COVER (415N8V14)		2
57	230102	FUSE HOLDER RATED AT 60 AMPS		2
58	230104	30 AMP MAXI FUSE		2
59	903341	32MM HOSE CAP RED (CW 8MM HOLE)		2
60	903543	CLEAN TANK INLET FILTER (RED)		1
61	221091	20 AMP MAXI FUSE		1
62	903544	FILLER CAP LID (RED)		1
63	901539	ELBOW ANGLE CONNECTOR 3/8 PARALLEL THREAD CW O-RING TO 12MM PUSH IN		1
64	903736	24V ALBRIGHT CONTACTOR (SU60-2009)		2
65	903737	CONTACTOR PLATE (RIGHT)		1
66	221047	40 AMP MAXI FUSE		1
67	904220	SPLASH GUARD SHEET		1
68	904263	CABLE RESTRAINT		1
69	219861	M5 SINGLE COIL STAINLESS STEEL WASHER		4
70	219864	M5 X 8MM LONG POZI PAN SCREW Z/PL		1
71	904108	FLOAT STOP MOLDING		2
72	904109	FLOAT MOLDING		1
73	904403	BARBED RIVET BLACK		2
74	903761	IP67 FUSE HOLDER - LITTEL FUSE MAHC0001ZX JB 246 M6 RING M6 RING		1
75	904729	WIRE & BATTERY PLATE (PP)		1
76	904728	BATTERY SPACER (PP)		1
77	904703	M4 X 6MM LONG POZI PAN SCREW STAINLESS STEEL		4
78	291135	M5 X 10MM LONG STAINLESS STEEL POZI PAN SEMS SCREW		2
79	905066	VAC SPACER PLATE		1
80	907553	VAC MOTOR PLATE MOLDING		1
81	907507	4MM THICK SEALING RING		1
82	903260	M8 BOLT AND NUT CAP		3

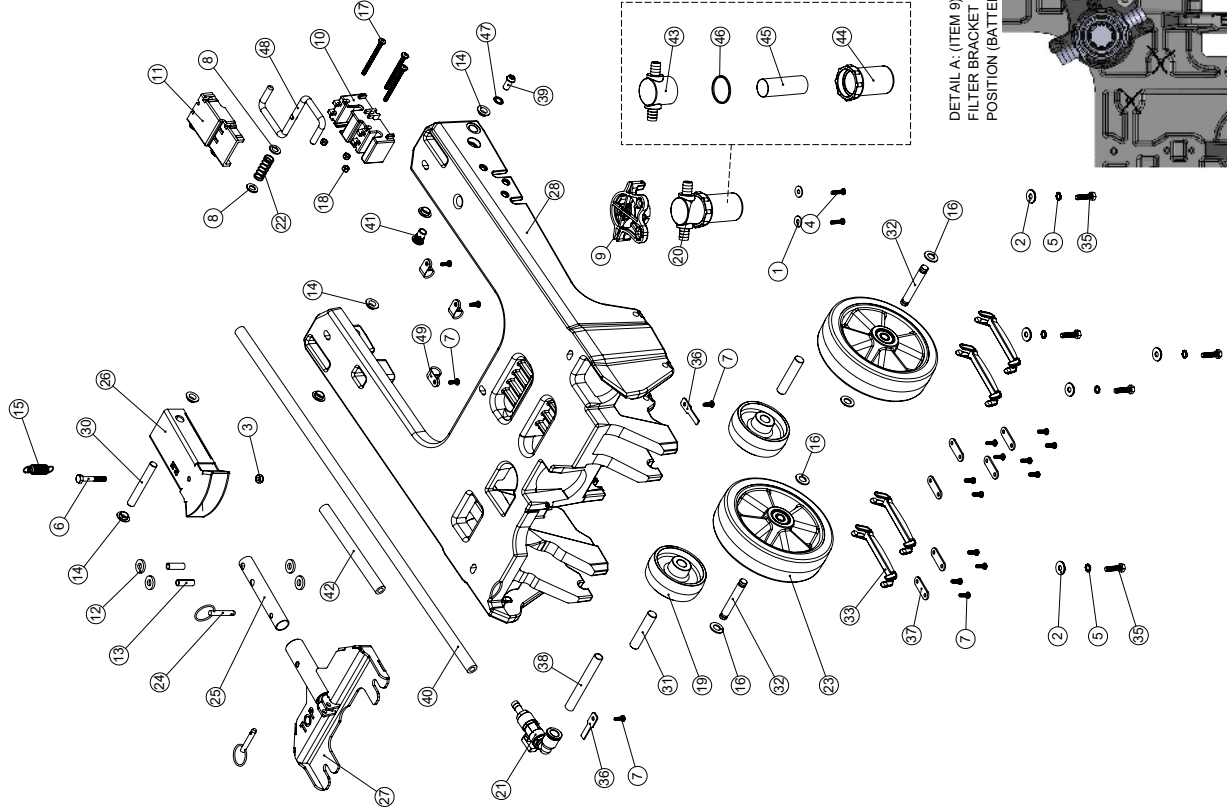
Numatic International Spare Parts

Model No: TGB 3045 (& HGB) CHASSIS ASSEMBLY EXPLODED VIEW

NB: FOR WIRING SEE DRAWING: DRW-22779

903635

DRAWING: DRW-22933 ISSA 15
04/02/2022



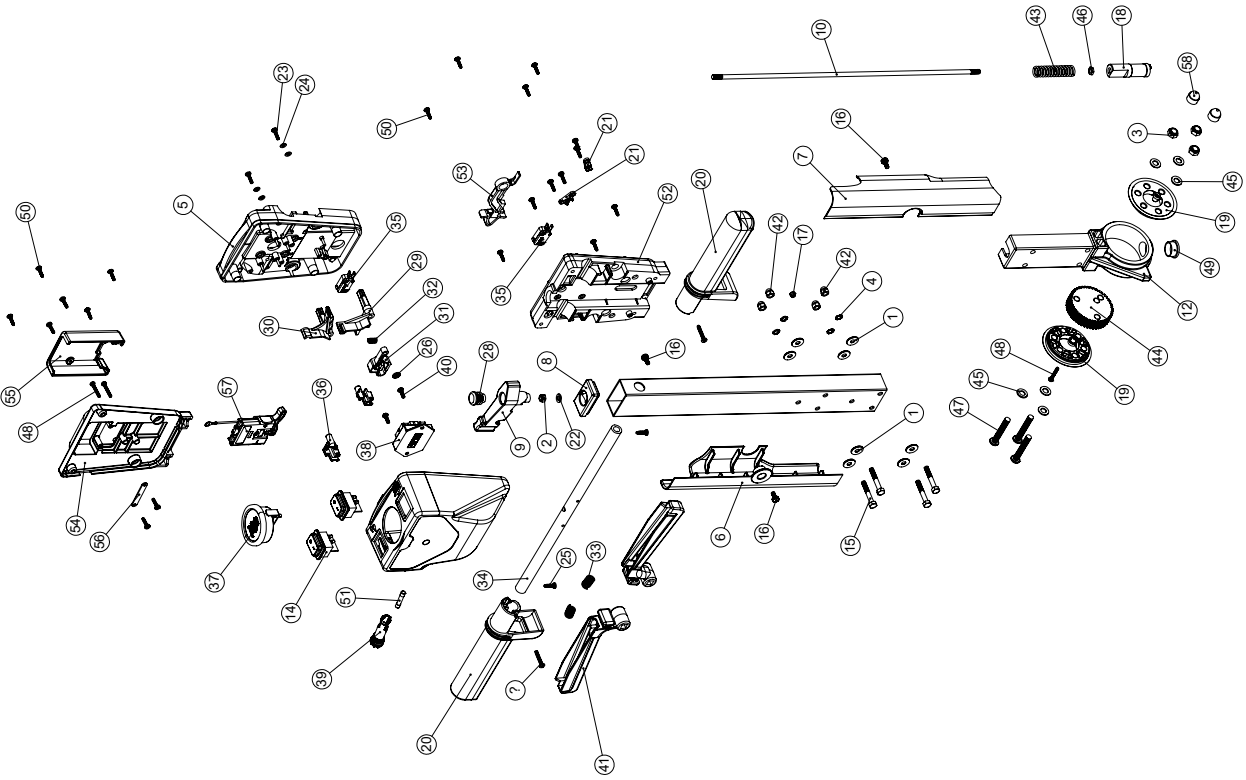
Numatic International Spare Parts

Model No: TGB 3045 (& HGB) CHASSIS ASSEMBLY EXPLODED VIEW

ITEM:	PART No:	DESCRIPTION	COMMENTS:	QTY:
1	219644	M5 FORM G STAINLESS STEEL WASHER		2
2	219647	M6 FORM G STAINLESS STEEL WASHER		5
3	219642	M6 STAINLESS STEEL NYLON INSERT NUT		1
4	219568	NO8.3/4 INCH LG.POZI-PAN SCREW STAINLESS STEEL PLASTITE		2
5	902353	M6 EXTERNAL SHAKEPROOF WASHER STAINLESS STEEL		5
6	291125	M6 X 40 LONG HEX BOLT STAINLESS STEEL		1
7	219569	NO8.1/2 INCH. LG.POZI-PAN SCREW STAINLESS STEEL PLASTITE		17
8	219578	M8 FORM A STAINLESS STEEL WASHER		2
9	901006	FILTER MOUNTING BRACKET	DETAIL A	1
10	901280	LATCH BLOCK BOTTOM MOULDING		1
11	901279	LATCH BLOCK TOP MOULDING		1
12	206964	SLIDE NYLON SPACER		4
13	206954	SPIRO SPACER		2
14	208312	IGUS BEARING (GFM 101205)		6
15	208619	FLOOR TOOL SPRING		1
16	219903	M10 FORM A STAINLESS STEEL WASHER		4
17	901558	M5 X 60MM STAINLESS STEEL POZI PAN MACHINE SCREW		3
18	219633	M5 STAINLESS STEEL NYLON INSERT NUT		3
19	206713	80MM DIAMETER WHITE WHEEL		2
20	208888	EXTENDED STRAINER		1
21	901543	12MM SWIVEL ELBOW PUSH FIT TO 10MM HOSE TAIL BALL VALVE ASSEMBLY		1
22	208578	DECK LOCK SPRING		1
23	208638	160mm WHEEL WITH POLYURETHENE TYRE		2
24	206953	DETENT PINS		2
25	304356	FLOOR TOOL PIVOT TUBE		1
26	304359	TT/TTB4045/4055 SQUEEGEE MOUNT WELD ASSEMBLY		1
27	304466	FLOOR TOOL BRACKET ASSEMBLY (TT/TTB4045/4055)		1
28	903589	T/TB PLASTIC CHASSIS	HGB	1
29	904902	HGB PLASTIC CHASSIS (BLACK)		1
30	903575	AXLE BAR ST/ST 10MM DIA. 75MM LONG		1
31	903576	AXLE BAR ST/ST 12.7MM DIA. 60MM LONG		2
32	903577	AXLE BAR ST/ST 10MM DIA. 68MM LONG		2
33	903597	AXLE CLIP		4
34	905060	AXLE CLIP (BLACK)	HGB	1
35	219825	M6 X 25MM LONG STAINLESS STEEL HEX SCREW		5
36	903594	TAP PLATE		2
37	903596	AXLE PLATE		6
38	903573	NYLON TUBE 12MM OD X 10MM ID (96MM +-1.0)		1
39	903566	M8X16MM LONG STAINLESS STEEL SOCKET BUTTON HEAD BOLT		1
40	903580	SILICON TUBE 640MM LONG X 8MM I/D X 14.4MM OD		1
41	903565	M8 STAINLESS STEEL HEADED NUTSERT		1
42	903581	SILICON TUBE 155MM LONG X 8MM I/D X 14.4MM OD		1
43	208827	STRAINER BLACK TOP	PART OF ITEM 20 (208888)	1
44	208890	68MM EXTENDED STRAINER CLEAR BOWL	PART OF ITEM 20 (208888)	1
45	208889	EXTENDED STRAINER 50 MESH SCREEN	PART OF ITEM 20 (208888)	1
46	208890	STRAINER GASKET	PART OF ITEM 20 (208888)	1
47	902520	M8 INTERNAL WASHER SHAKEPROOF STAINLESS STEEL		1
48	904440	DECK LATCH BAR		1
49	219465	P-CLIP		3

Numatic International Spare Parts
TGB 3045/4045/4055 CHARGERLESS HANDLE ASSEMBLY
Model No: EXPLODED VIEW

NB: FOR WIRING SEE DRAWING: WD-0772



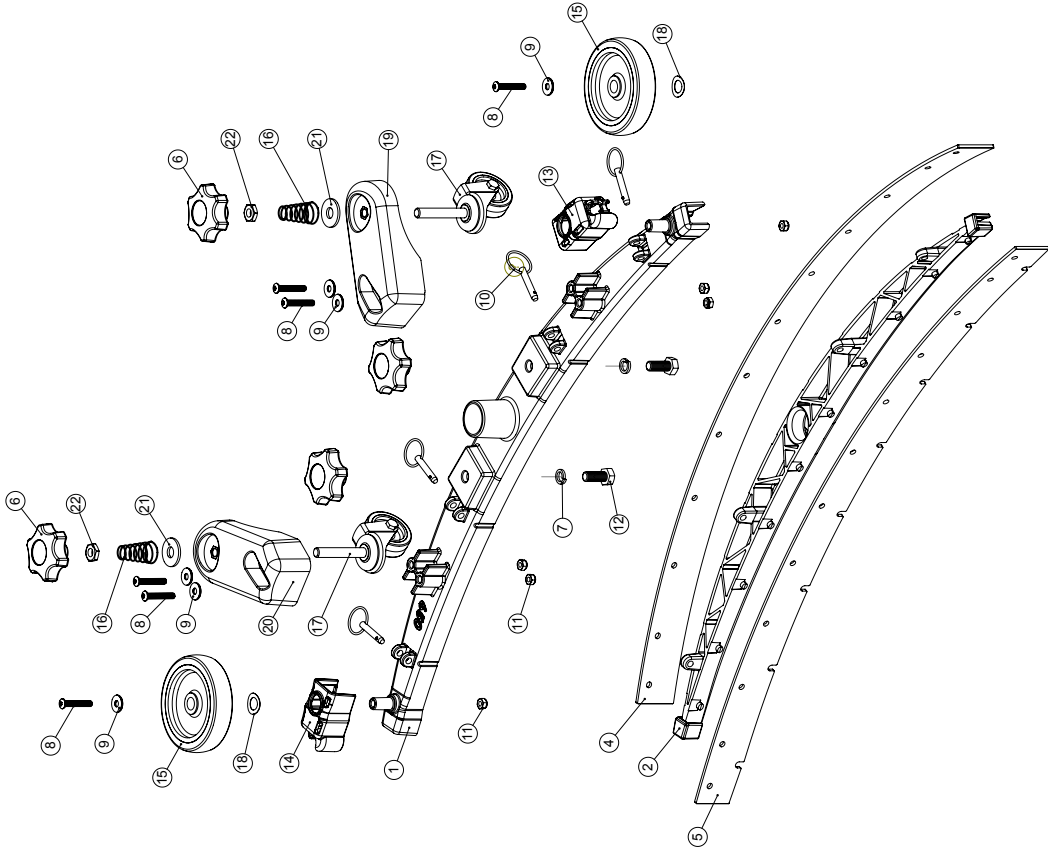
Numatic International Spare Parts
TGB 3045/4045/4055 CHARGERLESS HANDLE ASSEMBLY EXPLODED VIEW
Model No:

ITEM:	PART No:	DESCRIPTION	COMMENTS:	QTY:
1	219647	M6 FORM G STAINLESS STEEL WASHER		8
2	219642	M6 STAINLESS STEEL NYLON INSERT NUT		1
3	219639	M8 STAINLESS STEEL NYLON INSERT NUT		3
4	902353	M6 EXTERNAL SHAKPROOF WASHER STAINLESS STEEL		4
5	227576	FRONT INNER HALF MOULDING		1
6	237692	HANDLE CABLE COVER L/H	FLAME RETARDANT 120V USE 904907	1
7	237693	HANDLE CABLE COVER R/H	FLAME RETARDANT 120V USE 904908	1
8	903546	HANDLE PLUG MOULDING (RED)		1
9	903545	ADJUSTMENT LEVER MOULDING (RED)		1
10	229461	440MM HANDLE LOCKING ROD		1
11	903603	TGB/TTG 430MM PROCESSED ALL HANDLE PAINT SILVER		1
12	900398	HANDLE CASTING MACHINED (HNS VERSION)		1
13	903556	TGB HANDLE FRONT COVER TFPP		1
14	902235	SWITCH DPST RED ILLUMINATED WITH MEMBRANE 24V		2
15	291125	M6 X 40 LONG HEX BOLT STAINLESS STEEL		4
16	291131	M5 X 12MM LONG STAINLESS STEEL POZI PAN SEMS SCREW		3
17	229009	BLANKING PLUG		1
18	229073	GEAR LOCKING PIN		1
19	900396	ADJUSTMENT GEAR SPACER		2
20	227580	HAND GRIP MOULDING	FLAME RETARDANT 120V USE 237544	2
21	229669	LOLINE HANDLE CABLE CLAMP		2
22	219493	M6 NYLON WASHER		1
23	219914	N06 X 5/8 INCH LONG POZI-PAN PLASTITE STAINLESS STEEL SCREW		10
24	219688	M4 FORM A STAINLESS STEEL WASHER		4
25	219036	N08 X 5/8 INCH LONG POZI PAN SELF TAPPING SCREW		2
26	219805	4MM SPIREXIF		1
27	219369	N08 X 1 INCH LONG POZI PAN STAINLESS STEEL PLASTITE SCREW		2
28	20638V	19MM BLACK TUBE END STOP		1
29	227585	LEFT HAND SWITCH OPERATING LEVER MOULDING		1
30	227586	RIGHT HAND SWITCH OPERATING LEVER MOULDING		1
31	227587	CENTRE SWITCH OPERATING LEVER MOULDING		1
32	219804	SWITCH COMPRESSION SPRING		1
33	219803	TRIGGER COMPRESSION SPRING		2
34	338269	CROSS TUBE		1
35	229483	SNAP ACTION SWITCH		2
36	903558	TGB HANDLE BOSS		2
37	914620	BATTERY HOURS METER NE306		1
38	903766	DMH Terminal Block PCB Assembly		1
39	903032	BULGIN PANEL MOUNT FUSEHOLDER		1
40	219569	N08 X 1/2 INCH LONG POZI PAN STAINLESS STEEL PLASTITE SCREW		2
41	903547	TRIGGER MOULDING (RED)		2
42	219764	M6 STAINLESS STEEL DOME NUT		4
43	229138	SPRING 15.85MM OD 76.5MM FREE LENGTH		1
44	900397	MINI ADJUSTMENT GEAR		1
45	219578	M8 FORM A STAINLESS STEEL WASHER		6
46	219099	M6 HALF NUT		1
47	219922	M8 X 50MM LONG SOCKET BUTTON HEAD STAINLESS STEEL BOLT		3
48	291150	N06 X 1 INCH LONG POZI PAN SCREW S/S		3
49	229099	25MM DIA HOLE PLUG		1
50	219370	N08 X 5/8 INCH LONG PLASTITE STAINLESS STEEL SCREW		12
51	903066	FUSE 2.5A (6.3x32)		1
52	229509	REAR INNER HALF MOULDING (FR)		1
53	227584	INTERLOCK LEVER MOULDING		1
54	903689	TGB CHARGERLESS REAR COVER		1
55	903690	TGB CHARGERLESS PLUG COVER		1
56	903691	CABLE HOLDER PLATE		1
57	323217	LOOM ASSEMBLY - 1 CIRCUIT		1
58	903260	M8 BOLT AND NUT CAP		2

Numatic International Spare Parts
Model No: 650 TWINTEC ALUMINIUM FLOOR TOOL (38MM HOSE, RED TRIM, SERILOR BLADES)

903347
 DRAWING: DRW-22621 ISS:A09
 PRO
 27/03/2018

NB: FOR WIRING SEE DRAWING: N/A



Numatic International Spare Parts
Model No: 650 TWINTEC ALUMINIUM FLOOR TOOL (38MM HOSE, RED TRIM, SERILOR BLADES)

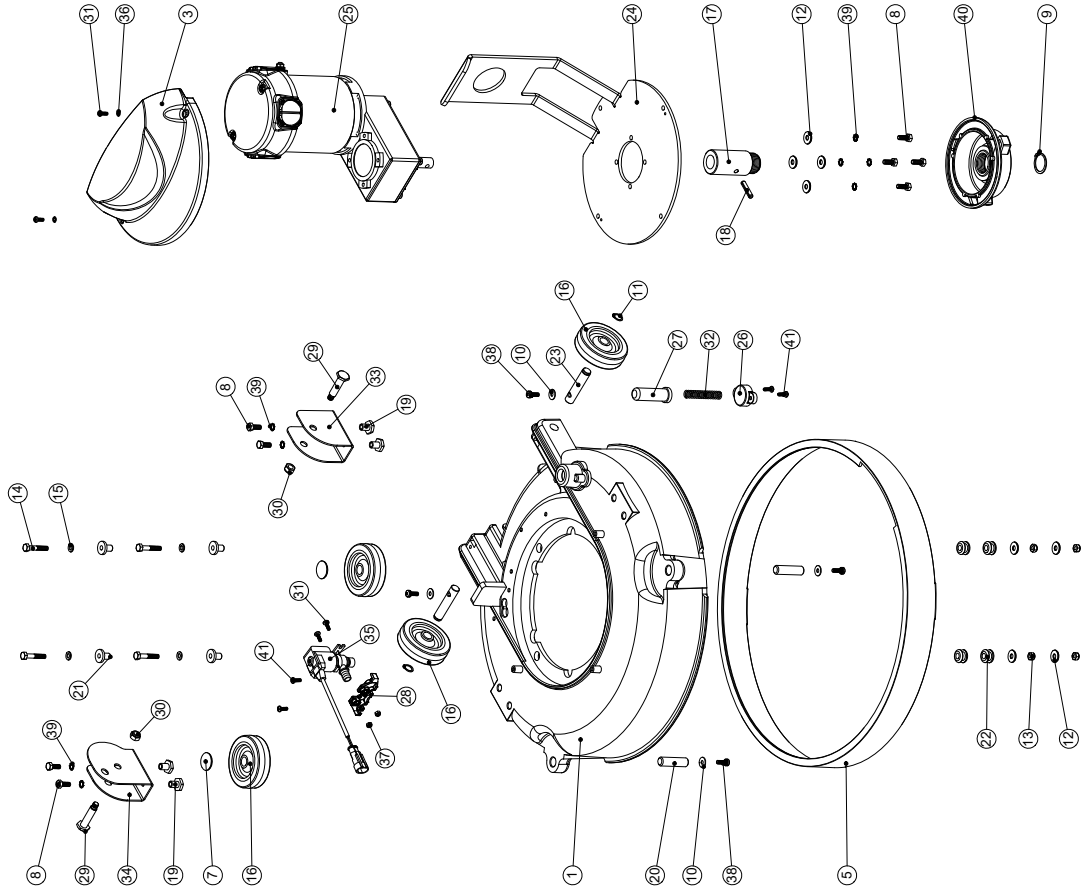
ITEM:	PART No:	Description	Qty
1	208198	(650MM SCRUB WIDTH) ALUMINIUM SQUEEGEE CASTING (38MM HOSE FITTING)	1
2	903345	(650MM SCRUB WIDTH) RED BLADE HOLDER MouldING (SLOPING PROFILE) (32MM & 38MM HOSE FITTING)	1
	900518	650 REPLACEMENT SERILOR GREEN POLYURETHANE BLADES SET	
4	208970	(650MM SCRUB WIDTH) REPLACEMENT (4.0MM / 35-45-35 SHORE A) REAR LAMINATED SERILOR POLYBLADE (847MM LONG)	1
5	208987	(650MM SCRUB WIDTH) REPLACEMENT (3.2MM / 40 SHORE A) FRONT MONOLAYER SERILOR POLYBLADE (819MM LONG)	1
6	903281	M10 LOBE KNOB (RED)	4
7	219889	M10 SINGLE COIL STAINLESS STEEL WASHER	2
8	219933	M6 X 35MM SOCKET BUTTON HEAD BOLT STAINLESS STEEL	6
9	219647	M6 FORM G STAINLESS STEEL WASHER	6
10	206953	DETENT PINS	4
11	219642	M6 STAINLESS STEEL NYLON INSERT NUT	6
12	219909	M10 X 25MM LONG HEXAGONAL STAINLESS STEEL SCREW	2
13	237322	RIGHT HAND FLOOR TOOL CLIP MouldING	1
14	237323	LEFT HAND FLOOR TOOL CLIP MouldING	1
15	208796	4 INCH WHEEL	2
16	229175	CONICAL SPRING	2
17	907759	50MM DIAMETER GREY TPR TYRED SWIVEL CASTOR C/W M10 X 60 SWAGED STEM.	2
18	219891	13MM WAVEY WASHER	2
19	906860	ADJUSTABLE FLOOR TOOL CASTOR PLASTIC PLATE LEFT	1
20	906859	ADJUSTABLE FLOOR TOOL CASTOR PLASTIC PLATE RIGHT	1
21	291124	M10 PENNY WASHER STAINLESS STEEL	2
22	219951	A4 (STAINLESS STEEL) M10 HEX LOCK NUT (HALF NUT)	2

Numatic International Spare Parts

Model No: TGB 3045/4045 (& HGB) BRUSH DECK ASSEMBLY EXPLODED VIEW

NB: FOR TGB 3045 WIRING SEE DRAWING: DRW-22779

NB: FOR TGB 4045 WD: DRW-22704



Numatic International Spare Parts

Model No: TGB 3045/4045 (& HGB) BRUSH DECK ASSEMBLY EXPLODED VIEW

ITEM:	PART No:	DESCRIPTION	COMMENTS:	QTY.
1	229258	TT 345 GRAPHITE BASE MOULDING (SPARES USE 329090)		1
	904896	HGB3045 RED BASE MOULDING (SPARES USE 905414)	HGB	
3	237380	AMER MOTOR COVER		1
	904897	AMER MOTOR COVER (BLACK)	HGB	
5	229644	450MM DIAMETER SPLASH SKIRT MOULDING		1
	904898	450MM DIAMETER SPLASH SKIRT MULDING (BLACK)	HGB	
7	204021	12.7MM STAINLESS STEEL HUB CAP		2
8	219719	M6 X 16MM LONG HEXAGONAL STAINLESS STEEL HEAD BOLT		8
9	230048	26MM EXTERNAL CIRCLIP		1
10	219644	M5 FORM G STAINLESS STEEL WASHER		4
11	219345	12MM EXTERNAL CIRCLIP		2
12	219647	M6 FORM G STAINLESS STEEL WASHER		8
13	219642	M6 STAINLESS STEEL NYLON INSERT NUT		4
14	291127	M6 X 35 LONG HEX BOLT STAINLESS STEEL		4
15	219870	M6 FORM A WASHER STAINLESS STEEL		4
16	204068	3 INCH GREY WHEEL		4
17	208727	DRIVE SHAFT		1
18	291079	6MM X 30MM STAINLESS STEEL ROLL PIN		1
19	219606	BRACKET SPACER		4
20	206013	BUFFER WHEEL PIN		2
21	208011	MOTOR MOUNTING SPACER		4
22	229025	STANDARD GROMMET		4
23	229382	REAR WHEEL PIN		2
24	392362	MOTOR ADAPTOR PLATE PAINT SILVER GREY		1
25	205245	AMER 100RPM MOTOR		1
26	223242	PLUNGER MOUNTING PLATE MULDING		1
27	229128	PLUNGER		1
28	902556	SOLENOID MOUNT MULDING		1
29	206236	PIVOT PIN		2
30	219639	M8 STAINLESS STEEL NYLON INSERT NUT		2
31	219890	M4 X 12MM LONG POZI PAN STAINLESS STEEL SCREW		4
32	219394	COMPRESSION SPRING		1
33	392249	DECK MOUNT RH		1
34	392248	DECK MOUNT BRACKET		1
35	902949	TERMINATED SOLENOID CABLE BLACK:125.0M5.2.24		1
36	291145	M4 SHAKEPROOF WASHER STAINLESS STEEL		2
37	219687	M4 STAINLESS STEEL NYLON INSERT NUT		2
38	291132	M5 X 16MM LONG STAINLESS STEEL POZI PAN SEMS SCREW		4
39	902353	M6 EXTERNAL SHAKEPROOF WASHER STAINLESS STEEL		8
40	230207	DIE CAST CHUCK MACHINED		1
41	219569	NO8.1/2 INCH. LG. POZI-PAN SCREW STAINLESS STEEL PLASTITE		4

903634

DRAWING: DRW-22932 ISS:A15
30/07/2019

Internal Code:

PRO

Numatic International Limited (Head Office)

Chard, Somerset TA20 2GB, UNITED KINGDOM

Tel: 01460 68600 numatic.com

Numatic International GmbH

Fränkische Straße 15-19, 30455 Hannover, DEUTSCHLAND

Tel: +49 (0) 511 984 2160 numatic.de

Numatic International Denmark

Fränkische Straße 15-19, 30455 Hannover, DEUTSCHLAND

Tel: +45 (0) 316 40808 numatic-online.dk

Numatic International S.A.S

13/17 rue du Valengelier, EAE la Tuilerie, 77500 Chelles, FRANCE

Tel: +33 (0) 164 726 161 numatic.fr

Numatic International BV

Vennootsweg 15, 2404 CG, Alphen aan den Rijn, NEDERLAND

Tel: +31 (0) 172 467 999 numatic.nl

Numatic International Schweiz AG.

Sihlbruggstrasse 3A, 6340 Baar, SCHWEIZ

Tel: +41 (0) 41 768 0760 numatic.ch

Numatic International (PTY) Ltd.

Cnr. 16th & Pharmaceutical Road, Randjes Park, Midrand 1685, SOUTH AFRICA

Tel: +27 (0) 861 686 284 numatic.co.za

Numatic International ULDA

Rua Francisco da Silva Duarte, nº79,

4475-269 Santa Maria de Avioso, Castelo da Maia, PORTUGAL

Tel: +351 220 047 700 numatic.pt

Numatic International Spain, S.L.U.

Av. Baix Llobregat, 5-7, Oficina bajos 1 (Parc Negocis Mas Blau II)

08820 El Prat de Llobregat (Barcelona), SPAIN

Tel: +34 93 647 22 22 numatic.es

Numatic International Italy S.R.L

Via Luigi Galvani, 2, Z.I. Talponedo, 33080 Porcia (PN), ITALY

Tel: +39 (0) 434 046 211 numatic.it