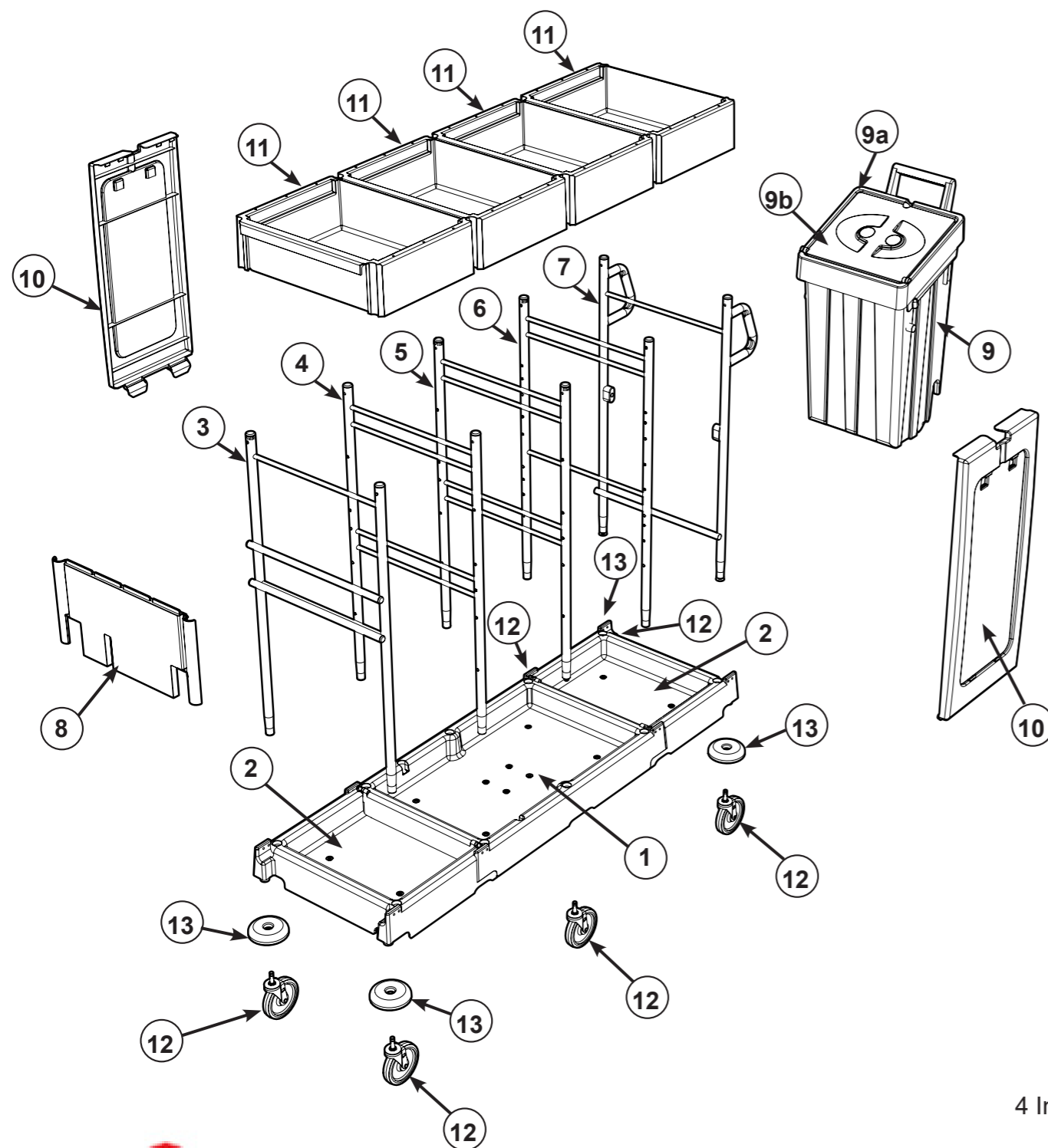


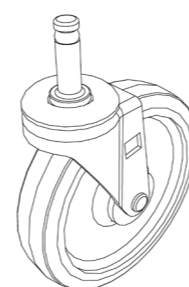
Exploded Spares PM-31S

Numatic

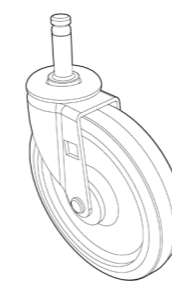


Number	Description	Part Number	Quantity
1	Large black refo trolley base	910010	1
2	Base extension black refo moulding	910034	2
3	Upright frame weld assembly stainless (front)	908631	1
4	Upright frame weld assembly stainless (central)	908641	1
5	Upright frame weld assembly stainless (central)	908633	1
6	Upright frame weld assembly (central)	908626	1
7	Rear upright frame welded assembly (stainless steel)	908643	1
8	Front panel black refo moulding	910014	1
9	Swing out bin assembly	911950	1
9a	Bag securing frame	911710	1
9b	Lid	911714	1
10	Side panel black refo moulding	910013	2
11	Clip on black refo plain tray moulding	910012	4
12	Option A Castor - 4 Inch stem fitting castor	628425	4
	Option B Castor - 5 Inch stem fitting castor	629766	4
	Option C Castor - 200mm Grey PU castor	901813	4
13	Buffer moulding - Optional	227479	4
14	120-Litre grey waste bags (roll of 10 - 700mm x 1100mm) - Optional	908229	0.1

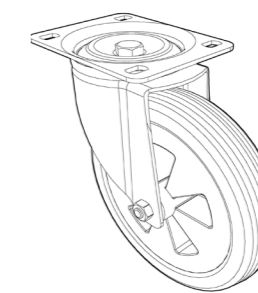
Castor Options:-



Option 'A' Castor
4 Inch Stem Fitting Castor
Part No 628425



Option 'B' Castor
5 Inch Stem Fitting Castor
Part No 629766



Option 'C' Castor
200mm Grey PU Castor
Part No 901813

Revision	A02
----------	-----