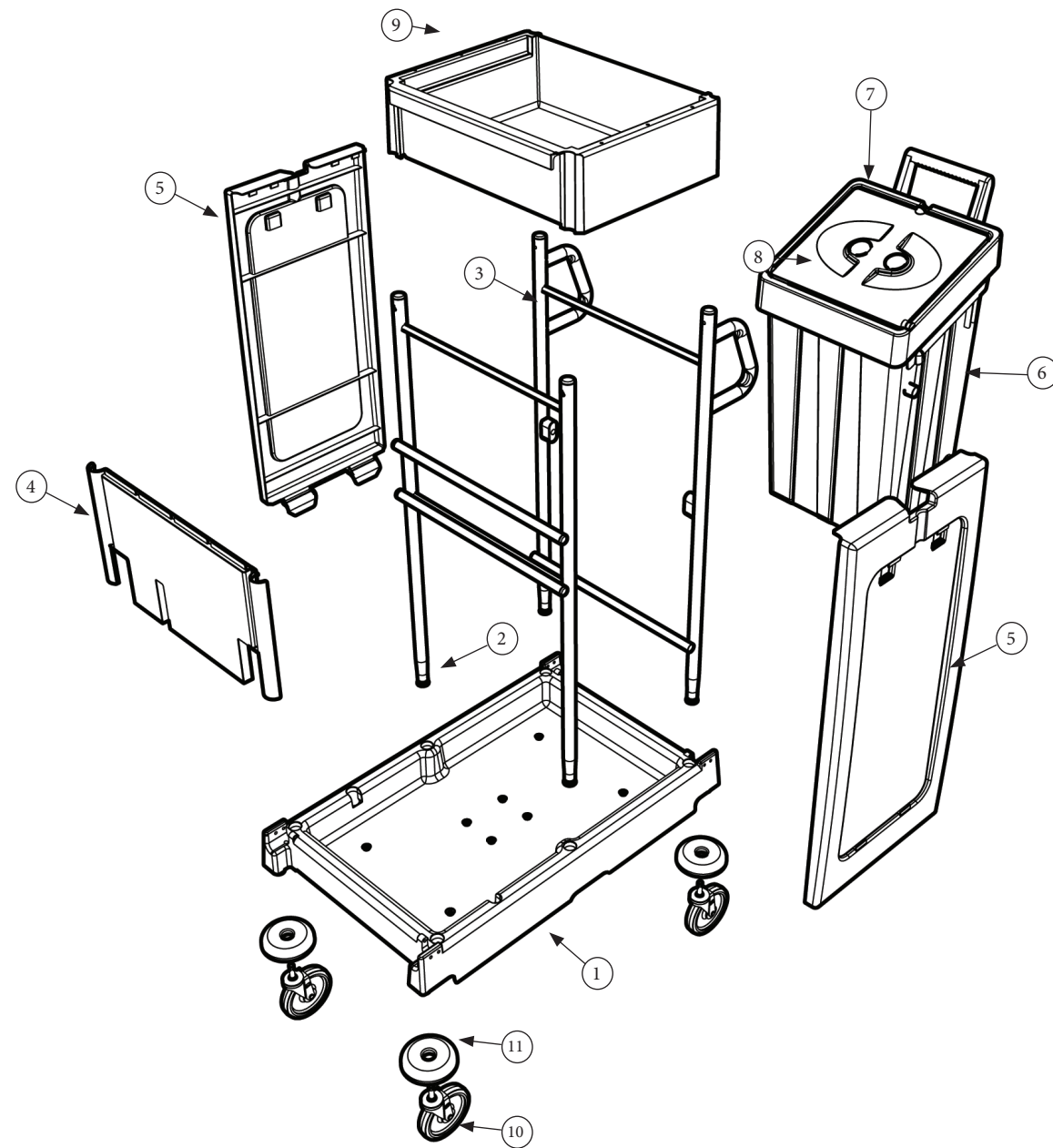


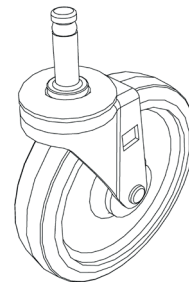
Exploded Spare PM-10S

Numatic

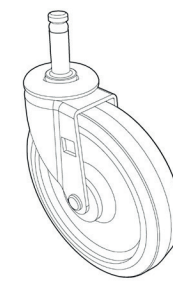
| Number | Description | Part Number | Quantity |
|--------|---|-------------|----------|
| 1 | Large black reflo trolley base | 910011 | 1 |
| 2 | Upright frame weld assembly stainless (front) | 908631 | 1 |
| 3 | Rear upright frame welded assembly (stainless steel) | 911949 | 1 |
| 4 | Front panel black reflo moulding | 910014 | 1 |
| 5 | Side panel black reflo moulding | 910013 | 2 |
| 6 | Swing out bin assembly | 911950 | 1 |
| 7 | Bag securing frame | 911710 | 1 |
| 8 | Lid (grey) | 911714 | 1 |
| 9 | Clip on black reflo plain tray moulding | 910012 | 1 |
| 10 | Option A Castor - 4 Inch stem fitting castor | 628425 | 4 |
| | Option B Castor - 5 Inch stem fitting castor | 629766 | 4 |
| | Option C Castor - 200mm Grey PU castor | 901813 | 4 |
| 11 | Buffer moulding - Optional | 227479 | 4 |
| 12 | 120-Litre grey waste bags (roll of 10 - 700mm x 1100mm) - Optional | 908229 | 1 |



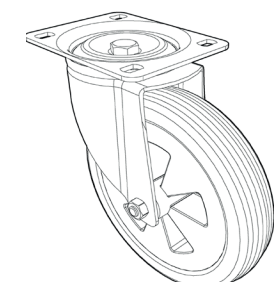
Castor Options:-



Option 'A' Castor
4 Inch Stem Fitting Castor
Part No 628425



Option 'B' Castor
5 Inch Stem Fitting Castor
Part No 629766



Option 'C' Castor
200mm Grey PU Castor
Part No 901813

Numatic

Numatic International Limited,
Chard, Somerset, TA20 2GB
Telephone: 01460 68600
Fax: 01460 68458

Specification subject to change without prior notice
www.numatic.com © Numatic International Limited

 Numatic.com

EXP-002010 02/23 (A01)