

# CTB370NX Operating Guide

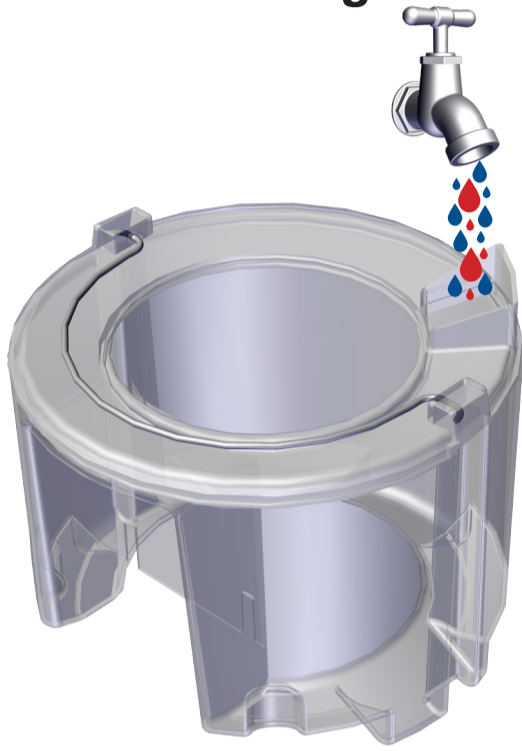
Extraction Battery Vacuum



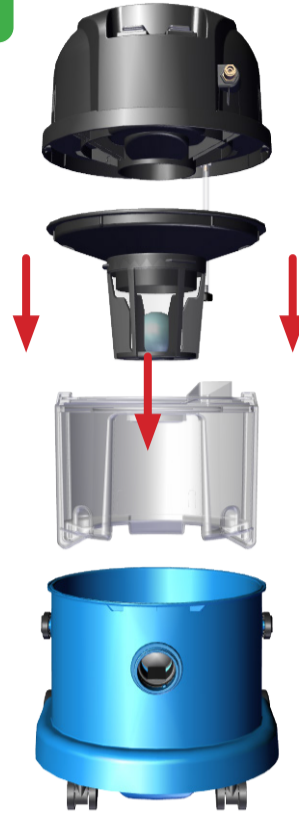
**START**



**1** Clean water tank filling



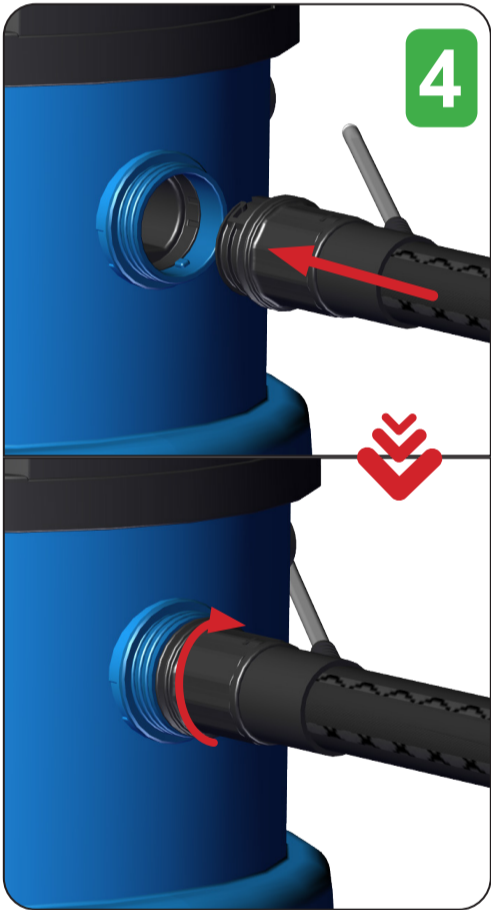
**2** Wet Set-Up



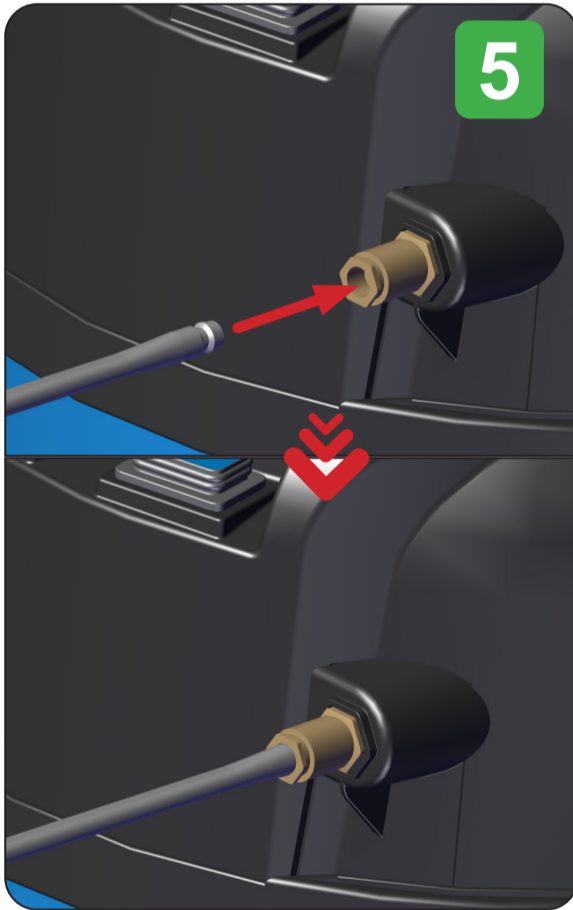
**3**



**4**



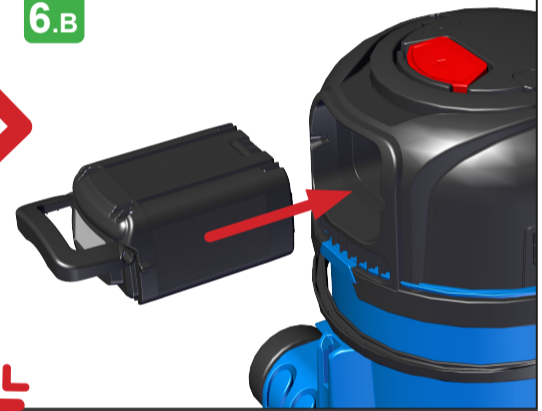
**5**



**6.A**



**6.B**



**6.C**



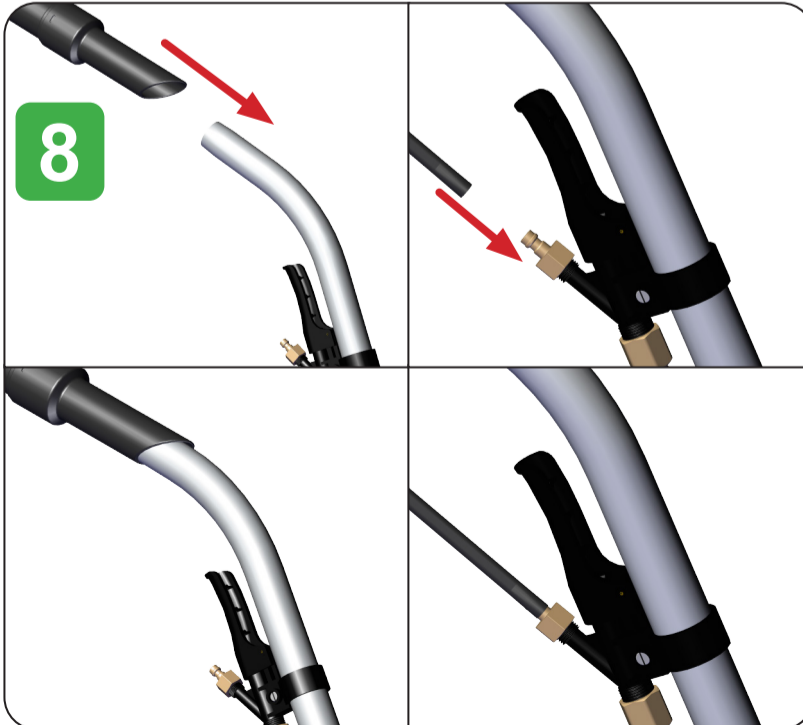
**6.D**



**7**



**8**



Place the NX300 battery on charge after each use.

# X-Tract Operating Guide

CTX-130

