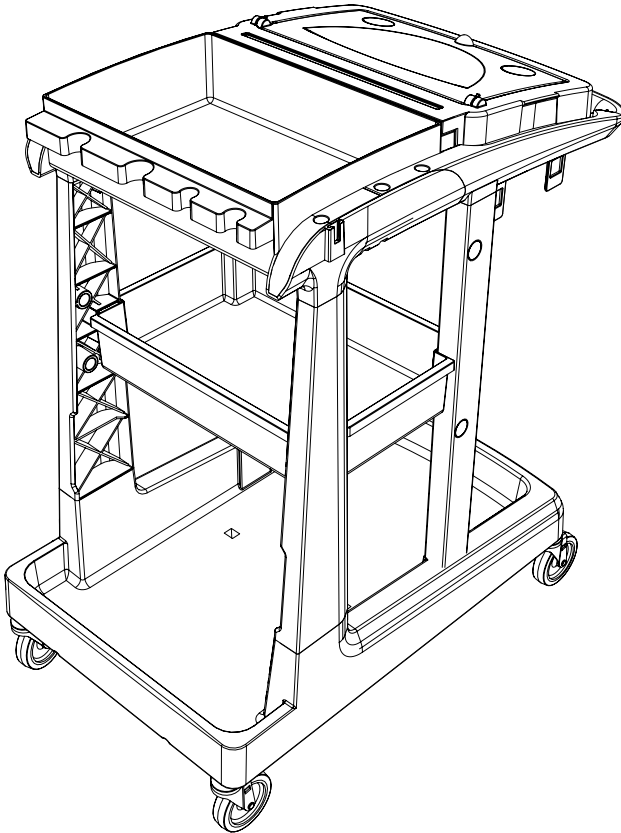


EM-1

Numatic

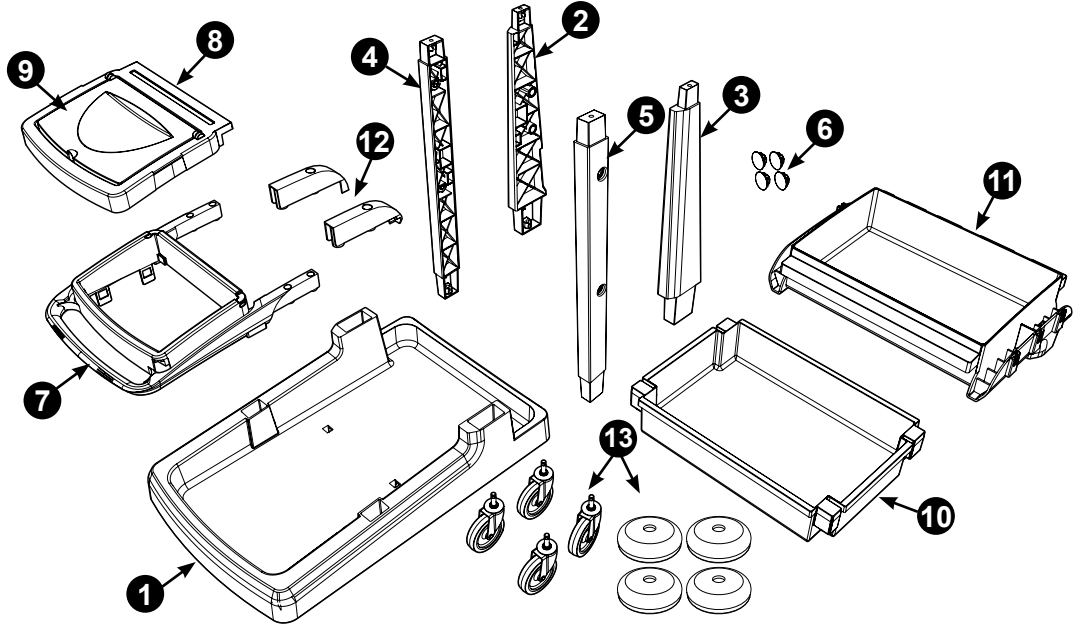
numatic.com



Original Instructions

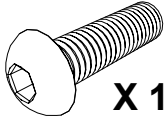


0.25 HR



Item	Description	Qty
1	Ecomatic Short Reflo Base	1
2	Front Right Hand Reflo Upright	1
3	Front Left Hand Reflo Upright	1
4	Rear Right Hand Reflo Upright	1
5	Rear Left Hand Reflo Upright	1
6	Hole Plug	4
7	Reflo Bag Frame	1
8	Reflo Bag Securing Frame	1
9	Lid Moulding	1
10	Reflo Tray	1
11	Reflo Top Tray	1
12	Ecomatic Cover Moulding	2
13	Castors & Buffers (Buffers Optional Extra)	4

M8 25mm
Socket Bolt



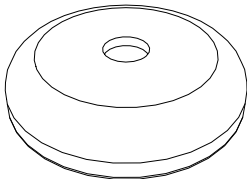
X 10

Allen Key

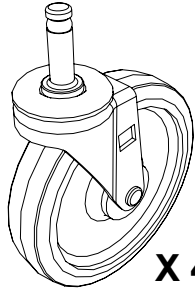
X 1



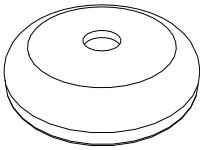
Buffer



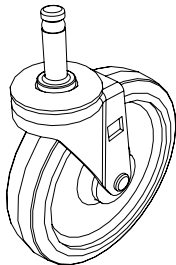
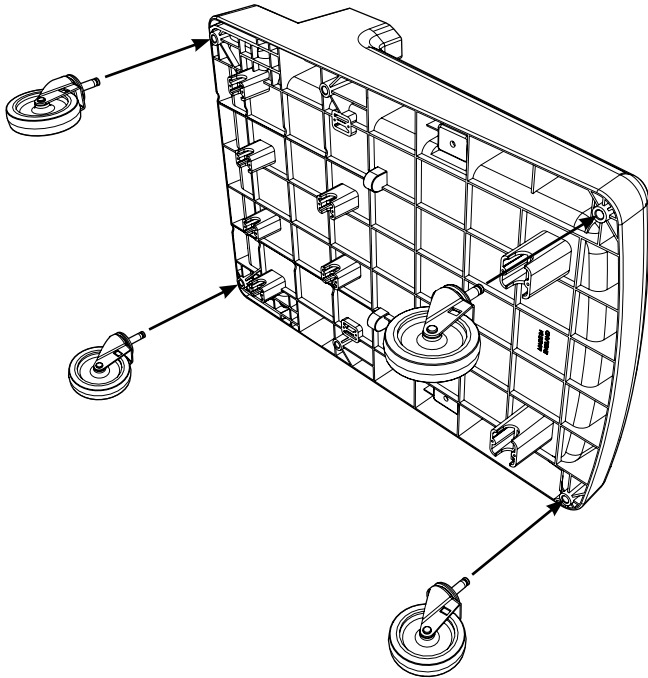
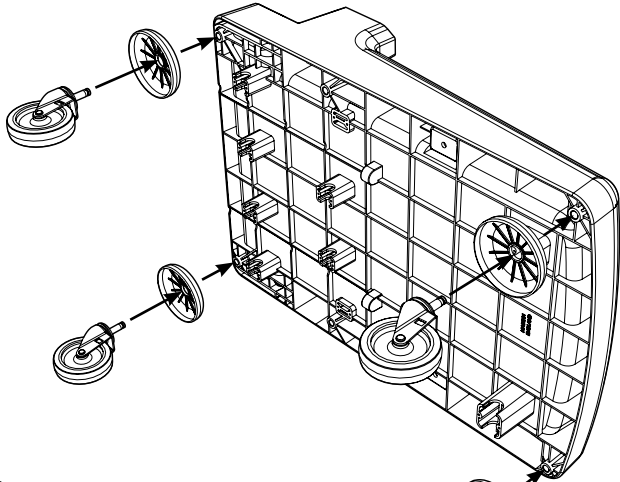
X 4



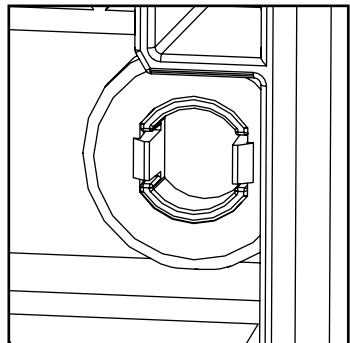
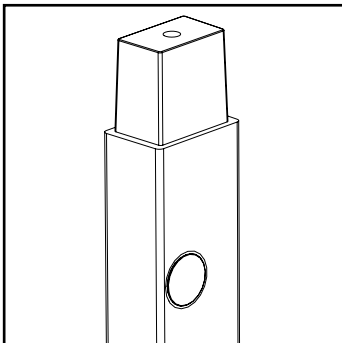
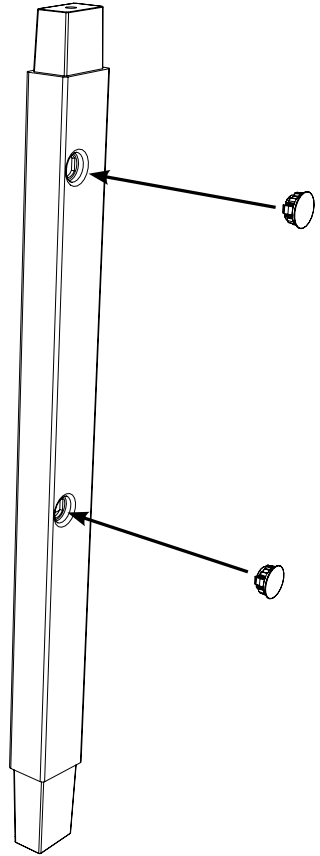
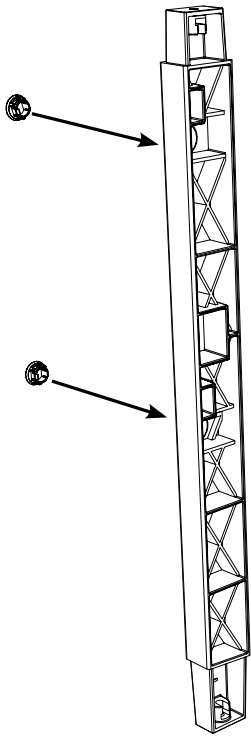
X 4

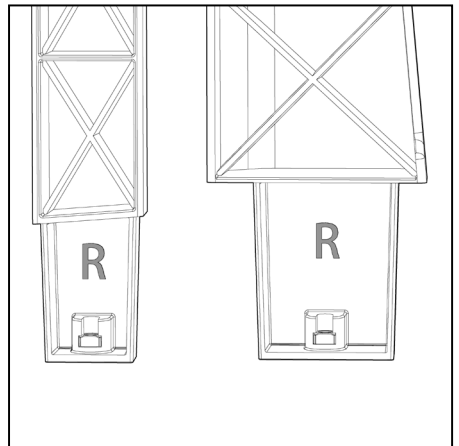
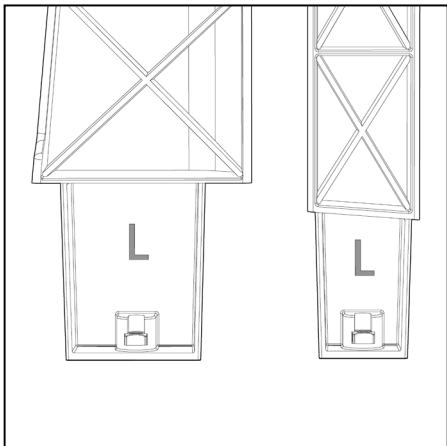
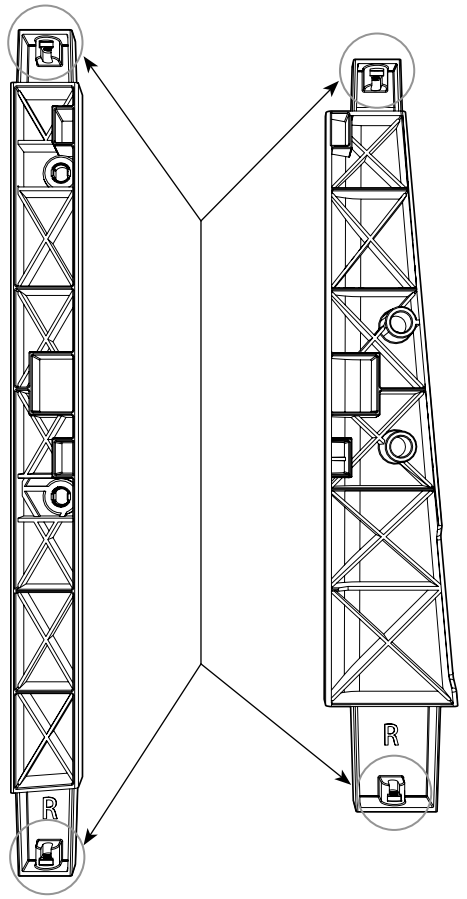
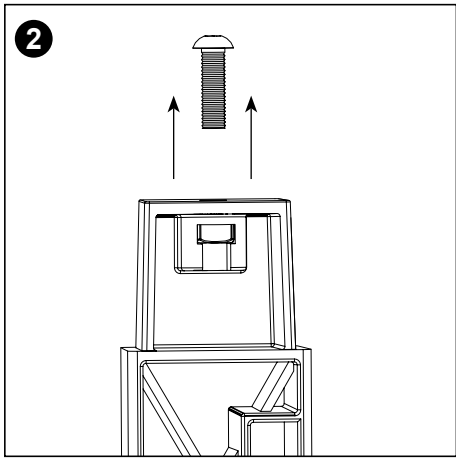
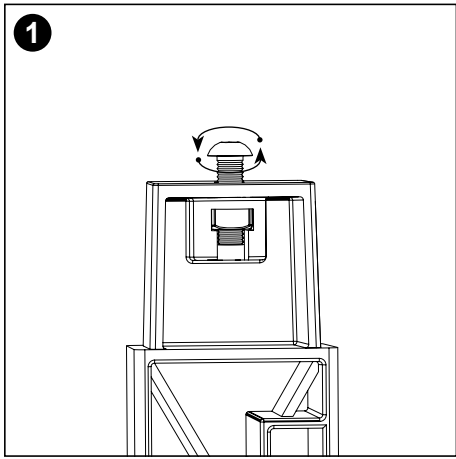


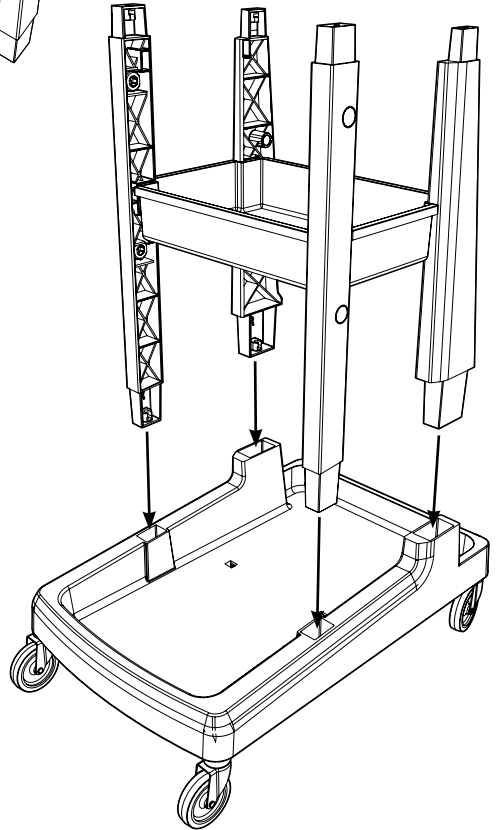
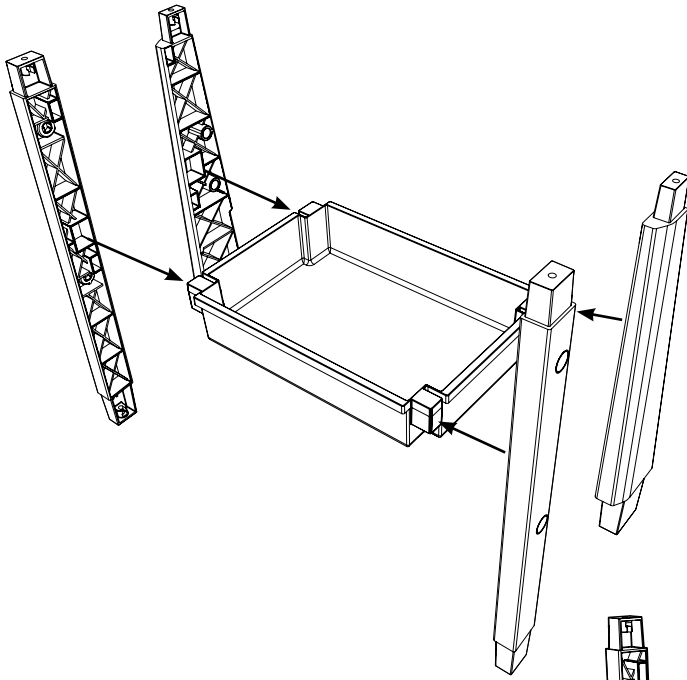
X 4

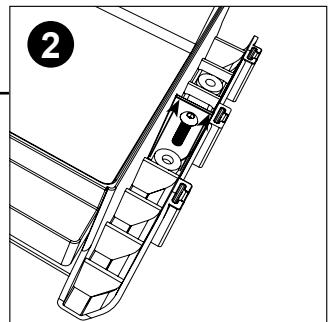
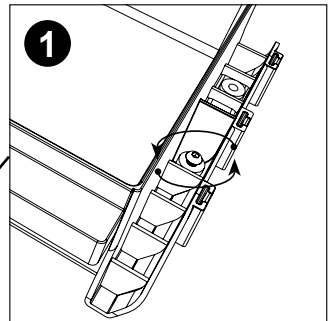
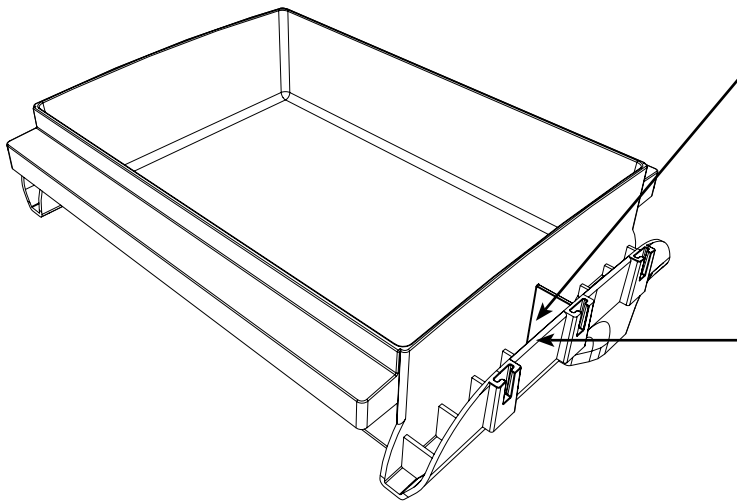
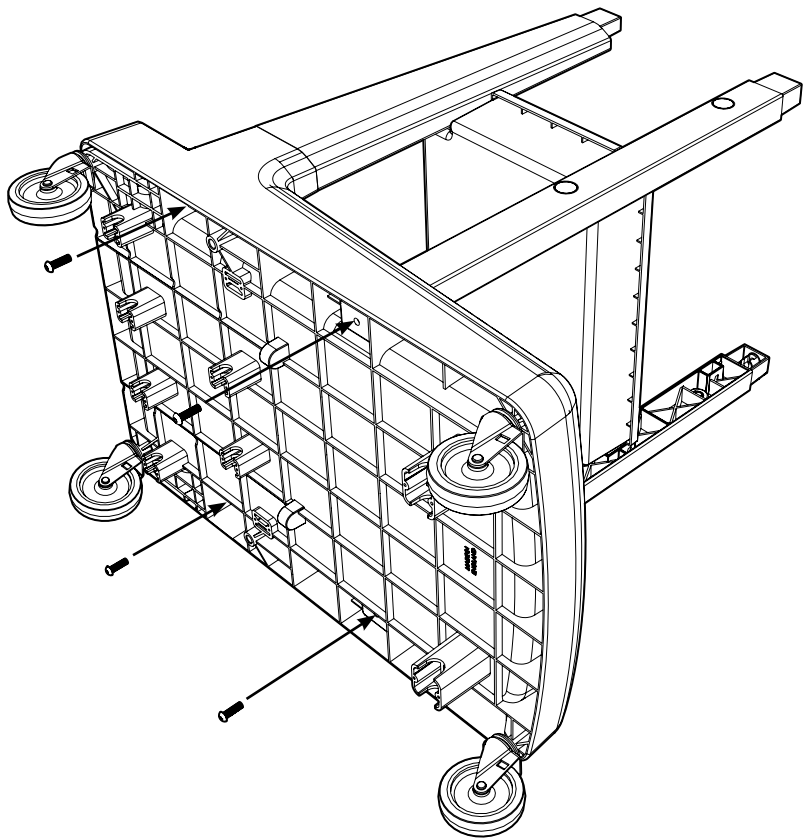


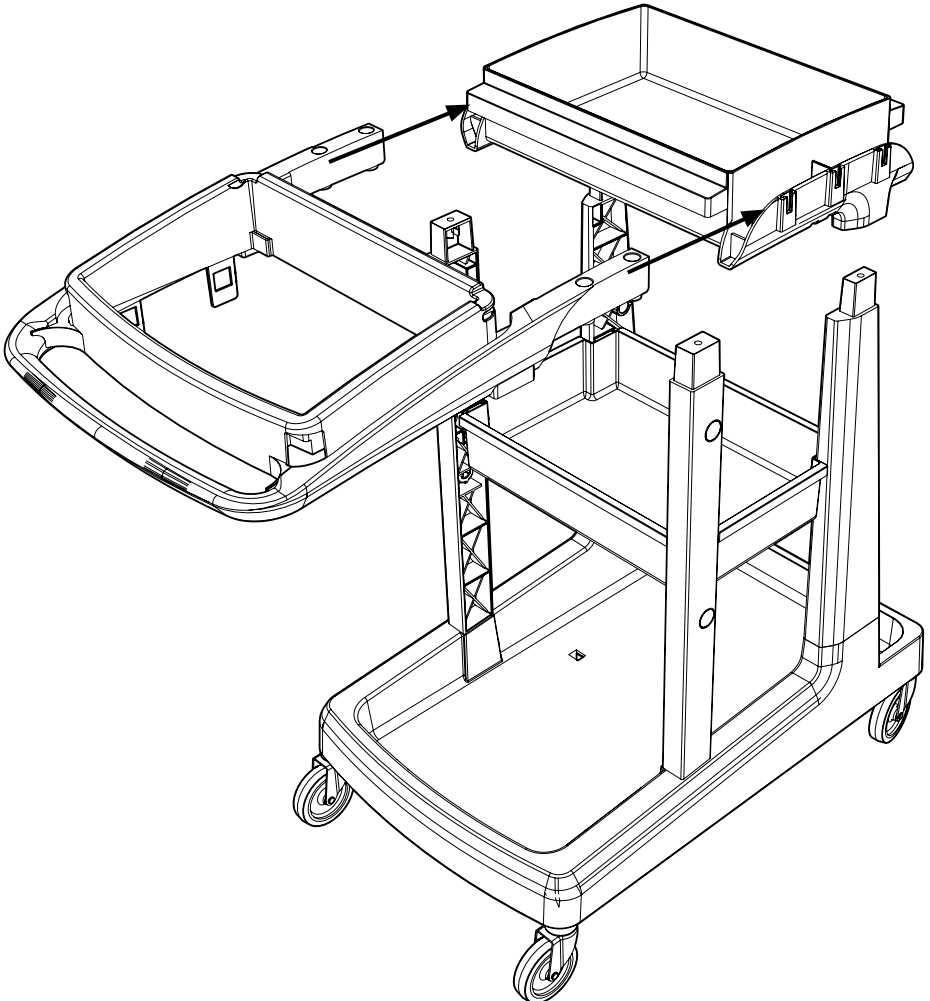
X 4

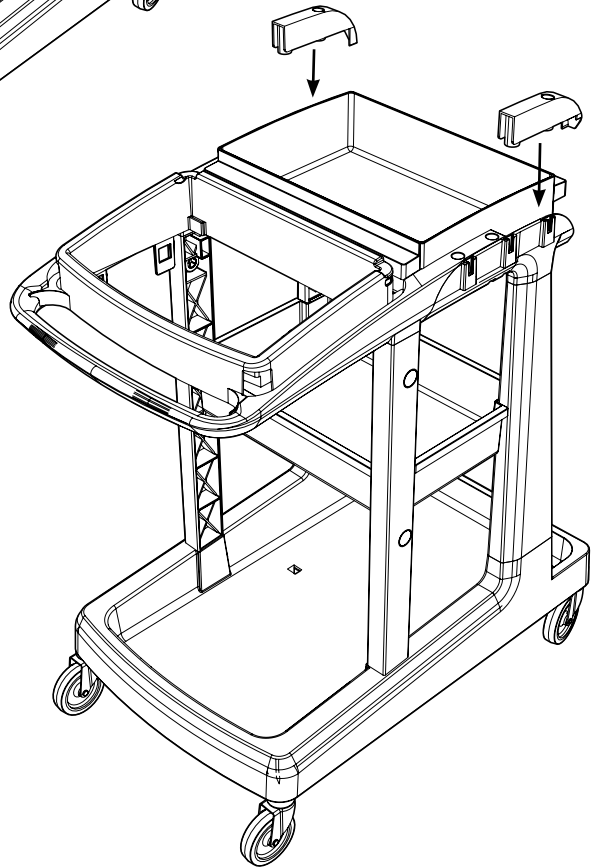
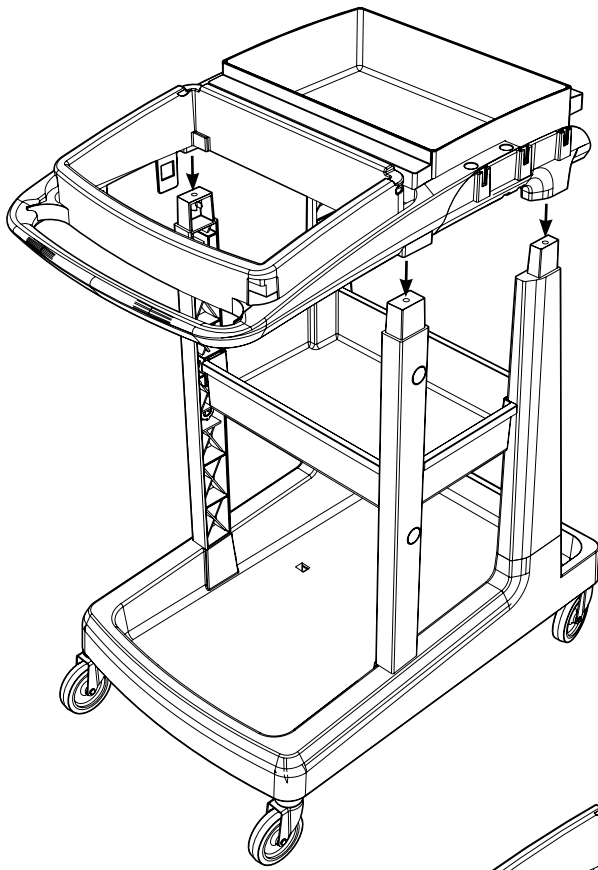


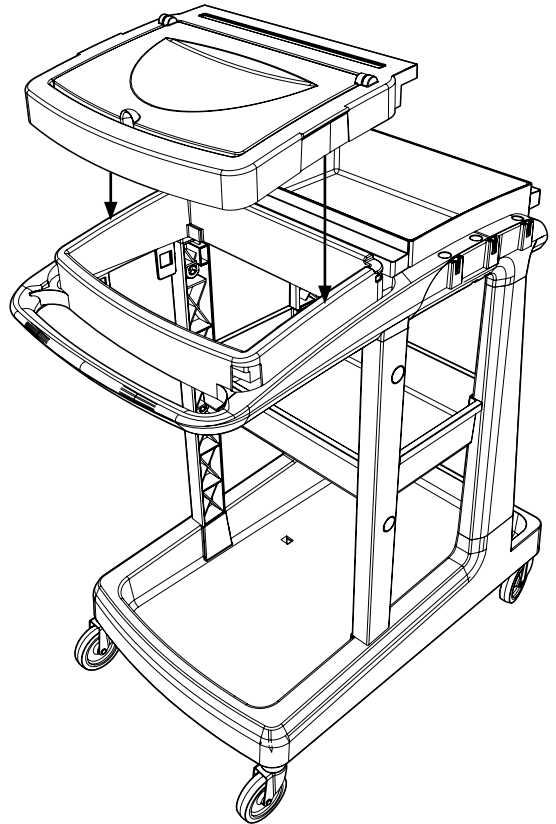
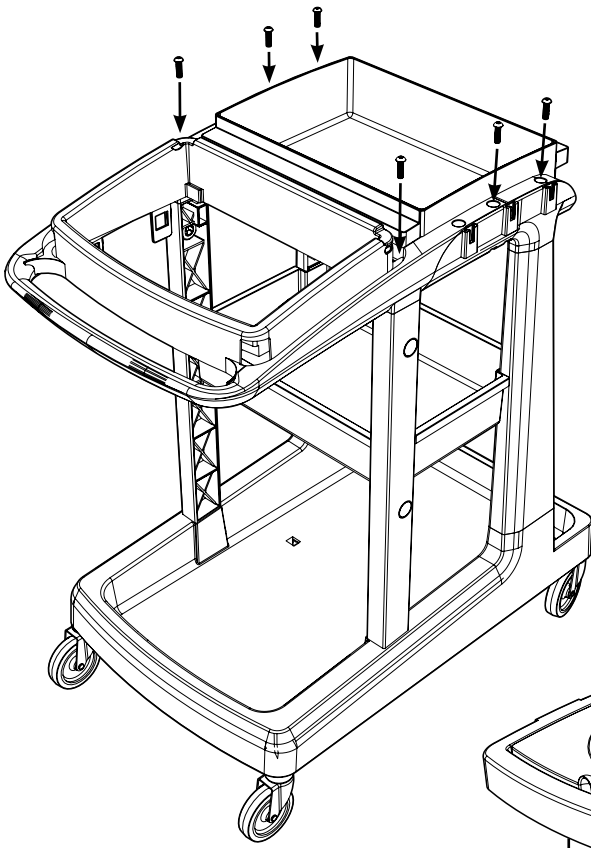












Notes:

A large rectangular area with rounded corners, containing 25 horizontal dotted lines for writing. The lines are evenly spaced and extend across the width of the page.

