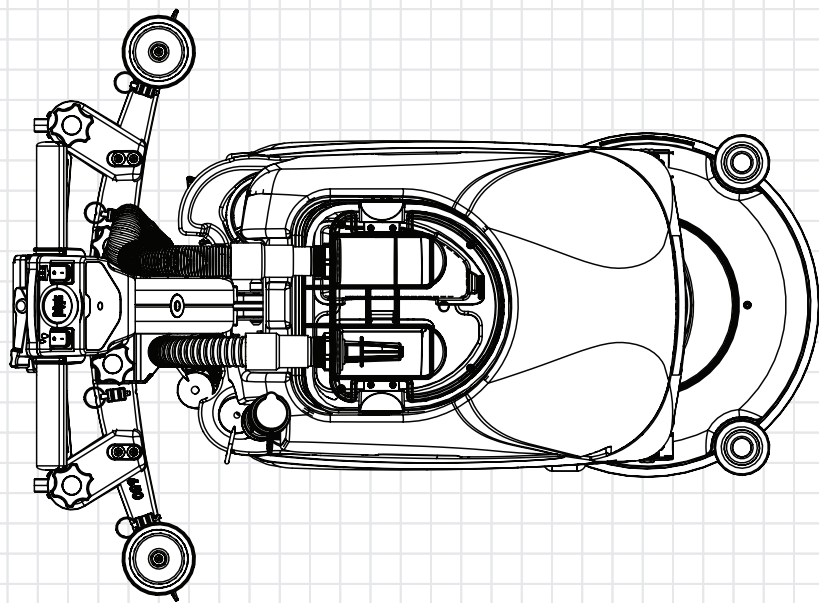
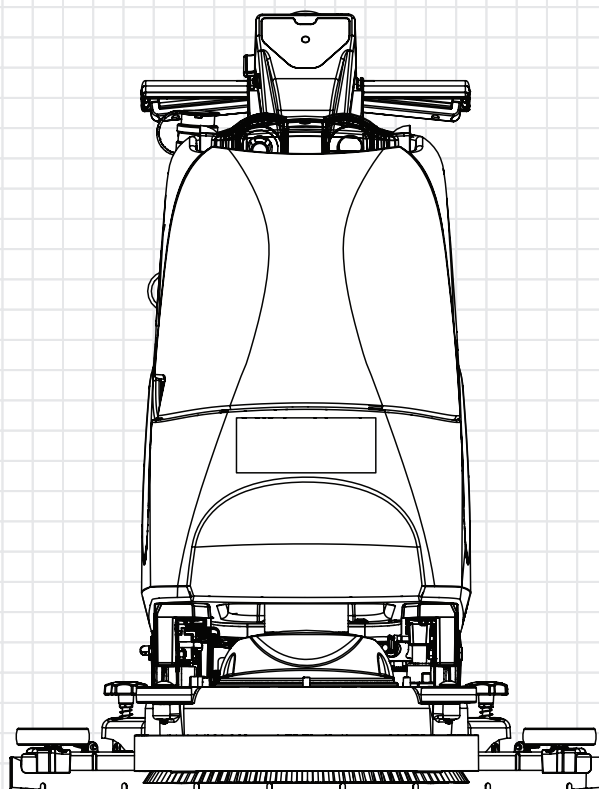
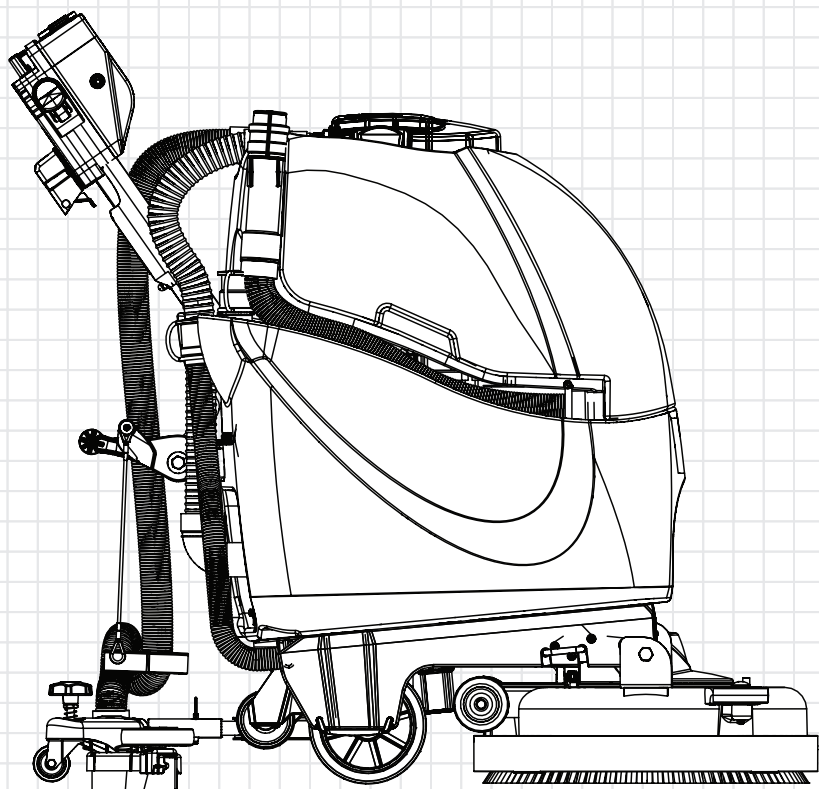


TGB3045 / HGB3045 / HBG3045



Service Engineer Exploded Drawings



DISCLAIMER:

These drawings are for part order reference only and intended for service engineers use.

The installation of Genuine Numatic spare parts should only be executed by Certified Numatic service engineers who specialised and familiar with all relevant safety regulations.

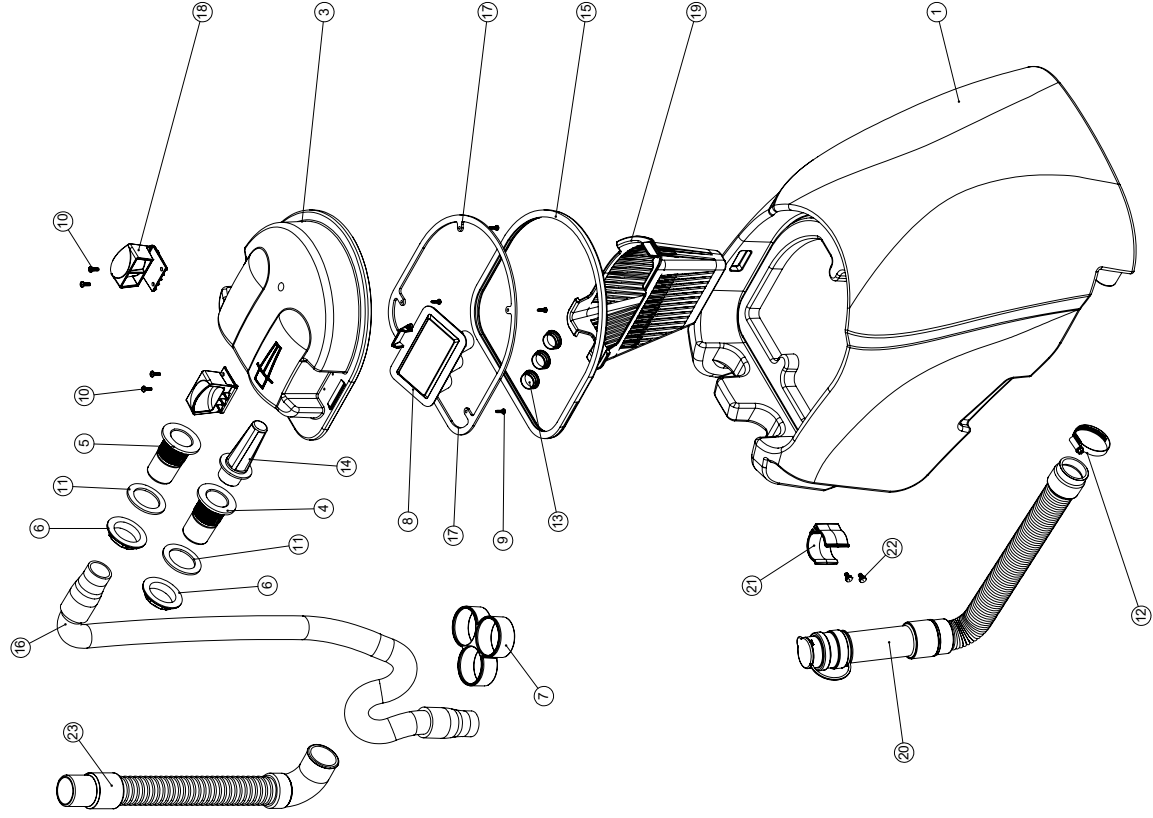
Numatic International Ltd do not accept responsibility or liability for any loss or damage to property or person if repairs or servicing of products are carried out by non-certified persons.

Specifications and parts are subject to change without notice.

Numatic International Spare Parts

Model No: TGB 3045 (& HGB) TOP TANK ASSEMBLY EXPLODED VIEW

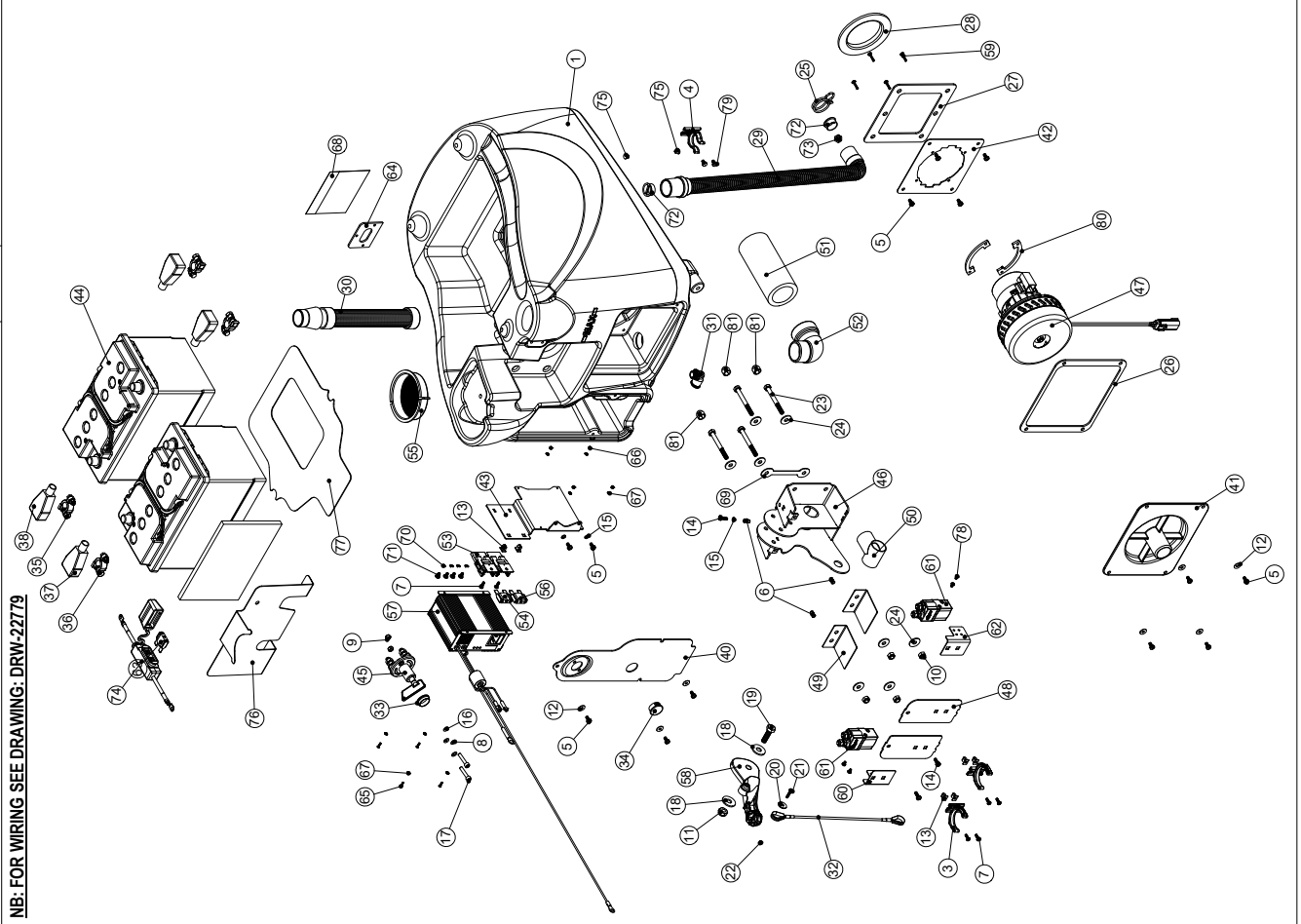
903638
 Internal Code: DRAWING: DRW-21692 ISS:A21
 07/09/2021



Numatic International Spare Parts

Model No: TGB 3045 (& HGB) TOP TANK ASSEMBLY EXPLODED VIEW

| ITEM: | PART No: | Description | Comments | QTY |
|-------|----------|---|----------|-----|
| 1 | N/A | TGB3045 TOP TANK MOULDING | | 1 |
| | 904727 | HGB3045 TOP TANK MOULDING (BLACK) | HGB | |
| 3 | 237381 | INTEGRATED CHASSIS SEPARATOR | | 1 |
| 4 | 237526 | 38MM RED DRAIN HOSE CONNECTOR | | 1 |
| 5 | 237018 | 38MM DRAIN HOSE CONNECTOR | | 1 |
| 6 | 206116 | BLACK NUT | | 2 |
| 7 | 237718 | HOSE GUIDE | | 1 |
| 8 | 237090 | SEPARATOR FLOAT MOULDING (MK 2) | | 1 |
| 9 | 219852 | N06 X 1/2 LONG POZI PAN STAINLESS STEEL SELF TAP SCREW | | 4 |
| 10 | 219569 | N08 X 1/2 INCH LONG POZI PAN STAINLESS STEEL PLASTITE SCREW | | 4 |
| 11 | 219310 | RUBBER WASHER | | 2 |
| 12 | 219919 | 32MM-50MM STAINLESS STEEL HOSE CLIP | | 1 |
| 13 | 206315 | TUBE END PLUG | | 3 |
| 14 | 206265 | TT/B 345 BARREL FILTER | | 1 |
| 15 | 208591 | NEW SEPARATOR GASKET | | 1 |
| 16 | N/A | 35MM X 690MM LONG 3:1 STRETCH HOSE (SHORT & LONG CUFF) | | 1 |
| 17 | 392200 | FILTER GASKET RING | | 1 |
| 18 | 902919 | CLIP MOULDING (RED) | | 2 |
| 19 | 906070 | MESHLESS FILTER BASKET | | 1 |
| 20 | N/A | 35MM X 250MM STRETCH HOSE (3:1) C/W ADJUSTABLE CUFF + CAP | | 1 |
| 21 | 237382 | ACETAL HOSE CLIP MOULDING | | 1 |
| 22 | 291135 | M5 X 10MM LONG STAINLESS STEEL POZI PAN SEMS SCREW | | 2 |
| 23 | 905520 | VAC HOSE 580MM X Ø38MM | | 1 |



| ITEM: | PART No. | Description | Comments | QTY |
|-------|----------|--|--|-----|
| 1 | 902590 | TGB3045 BOTTOM TANK MOULDING (GRAPHITE) | | 1 |
| 2 | 904849 | HGB3045 BOTTOM TANK MOULDING (RED - WITH LOGO) | HGB | 1 |
| 3 | 237754 | 35-38MM HOSE CLIP | | 2 |
| 4 | 901916 | 28mm HOSE CLIP | | 1 |
| 5 | 291131 | M5 X 12MM LONG STAINLESS STEEL POZI PAN SEMS SCREW | | 13 |
| 6 | 219558 | M5 STAINLESS STEEL NUTS | | 3 |
| 7 | 219569 | No8 X 1/2 INCH LONG POZI PAN STAINLESS STEEL PLASTITE SCREW | | 6 |
| 8 | 219560 | M6 FORM B STAINLESS STEEL WASHER | | 2 |
| 9 | 219642 | M6 STAINLESS STEEL NYLON INSERT NUT | | 2 |
| 10 | 219639 | M8 STAINLESS STEEL NYLON INSERT NUT | | 4 |
| 11 | 219897 | M10 STAINLESS STEEL NYLON INSERT NUT | | 1 |
| 12 | 219844 | M5 FORM LG STAINLESS STEEL WASHER | | 7 |
| 13 | 904193 | M5 GROMMET (TO SUIT No.8 PLASTITE SCREW) | | 3 |
| 14 | 219355 | M5 FORM A STAINLESS STEEL POZI PAN SEMS SCREW | | 3 |
| 15 | 219355 | M5 FORM A STAINLESS STEEL WASHER | | 3 |
| 16 | 219482 | RUBBER WASHER REF. NO. 0380810 | | 2 |
| 17 | 219747 | M6 X 30MM STAINLESS STEEL CAP HEAD SCREW | | 2 |
| 18 | 291124 | M10 PENNY WASHER STAINLESS STEEL | | 2 |
| 19 | 219895 | M10 X 35MM LONG HEXAGONAL STAINLESS STEEL SCREW | | 1 |
| 20 | 291118 | M5 STAINLESS STEEL WASHER 19MM OD | | 1 |
| 21 | 219686 | M4 X 20MM LONG STAINLESS STEEL POZI PAN MACHINE SCREW | | 1 |
| 22 | 219687 | M4 STAINLESS STEEL NYLON INSERT NUT | | 4 |
| 23 | 291123 | M8 X 3/8 LONG HEX HEAD BOLT STAINLESS STEEL | | 4 |
| 24 | 902133 | SPRING WIRE CLAMP (DINAC-16010358) | | 8 |
| 25 | 902275 | VAC PLATE GASKET | | 1 |
| 26 | 208789 | T1 MOTOR PLATE GASKET | | 1 |
| 27 | 202008 | MOTOR CAP GASKET | | 1 |
| 28 | 202008 | MOTOR CAP GASKET | | 1 |
| 29 | N/A | DUMP HOSE | | 1 |
| 30 | 208980 | T1/T1 FILLING HOSE | | 1 |
| 31 | 901539 | ELBOW ANGLE CONNECTOR 3/8 PARALLEL THREAD C/W O-RING TO 12MM PUSH IN | | 1 |
| 32 | 208982 | T1 LIFTING WIRE | | 1 |
| 33 | 902331 | GF PVC GROMMET (28MM X 22MM X 2MM) | | 1 |
| 34 | 208314 | WINDY TUG | | 2 |
| 35 | 208314 | WINDY TUG | | 2 |
| 36 | 202454 | POSITIVE BATTERY TERMINAL CONVERTOR | | 2 |
| 37 | 208935 | RED BATTERY TERMINAL COVER (415N8V02) | | 2 |
| 38 | 208936 | BLACK BATTERY TERMINAL COVER (415N8V14) | | 2 |
| 39 | 208645 | FOAM BATTERY SPACER | | 1 |
| 40 | 902707 | CHARGER & POB COVER PLATE | | 1 |
| 41 | 907553 | VAC MOTOR PLATE Moulding | | 1 |
| 42 | 902709 | VAC MOTOR PLATE (CCL) | | 1 |
| 43 | 902706 | CHARGER & POB BRACKET | | 1 |
| 44 | 220888 | 12V TRACTION BLOCK BATTERY | Sells. Use packed form No. 205085.50 AMPHOUR BATTERY | 2 |
| 45 | 206746 | MASTER KEY SWITCH & KEY | | 1 |
| 46 | 903612 | TGB 3045 HANDLE MOUNT WELD ASSEMBLY ZIPL | | 1 |
| 47 | 903292 | VAC MOTOR ASSEMBLY | | 1 |
| 48 | 903539 | HANDLE MOUNT COVER PAINTED SILVER | | 2 |
| 49 | 903589 | COVER PLATE | | 2 |
| 50 | 903600 | T SHAPE DIP MOULDING | | 1 |
| 51 | 208956 | SILENCER FOAM TUBE 150MM | | 1 |
| 52 | 208953 | FUSE MOUNTED BELOW (MAINS VERSION) | | 2 |
| 53 | 230104 | 30 AMP MAXI FUSE | | 2 |
| 54 | 230104 | 30 AMP MAXI FUSE | | 2 |
| 55 | 903543 | CLEAN TANK INLET FILTER (RED) | | 1 |
| 56 | 221091 | 20 AMP MAXI FUSE | | 1 |
| 57 | 903533 | SPE CHARGER ASSEMBLY C/W INHIBIT | | 1 |
| 58 | 902324 | RED SQUEEGEE LIFT HANDLE | | 1 |
| 59 | 219568 | NO8.3/4 INCH LG POZI PAN SCREW STAINLESS STEEL PLASTITE | | 4 |
| 60 | 903598 | CONTACTOR PLATE (LEFT) | | 1 |
| 61 | 903796 | 24V ALBRIGHT CONTACTOR (SU60-2009) | | 2 |
| 62 | 903737 | CONTACTOR PLATE (RIGHT) | | 1 |
| 63 | 202165 | SOCKET COVER | | 1 |
| 64 | 202165 | SOCKET COVER | | 1 |
| 65 | 902534 | M3 X 10MM LONG POZI PAN SCREW STAINLESS STEEL | | 4 |
| 66 | 291154 | M3 NYLON INSERT NUT STAINLESS STEEL | | 4 |
| 67 | 904219 | M3 STAINLESS STEEL EXTERNAL SHAKEPROOF WASHER | | 8 |
| 68 | 904220 | SPLASH GUARD SHEET | | 1 |
| 69 | 904283 | CABLE RESTRAINT | | 1 |
| 70 | 219861 | M5 SINGLE COIL STAINLESS STEEL WASHER | | 1 |
| 71 | 219864 | M5 X 8MM LONG POZI PAN SCREW ZIPL | | 4 |
| 72 | 904108 | FLOAT STOP MOULDING | | 2 |
| 73 | 904109 | FOAM MOULDING | | 1 |
| 74 | 904109 | FOAM MOULDING | | 1 |
| 75 | 904403 | BARBED RIVET BLACK | | 2 |
| 76 | 904729 | WIRE & BATTERY PLATE (PP) | | 2 |
| 77 | 904728 | BATTERY SPACER (PP) | | 1 |
| 78 | 904703 | M4 X 6MM LONG POZI PAN SCREW STAINLESS STEEL | | 4 |
| 79 | 291135 | M4 X 10MM LONG STAINLESS STEEL POZI PAN SEMS SCREW | 1.6Nm | 2 |
| 80 | 905066 | VAC SPACER PLATE | | 2 |
| 81 | 903260 | M8 BOLT AND NUT CAP | | 3 |

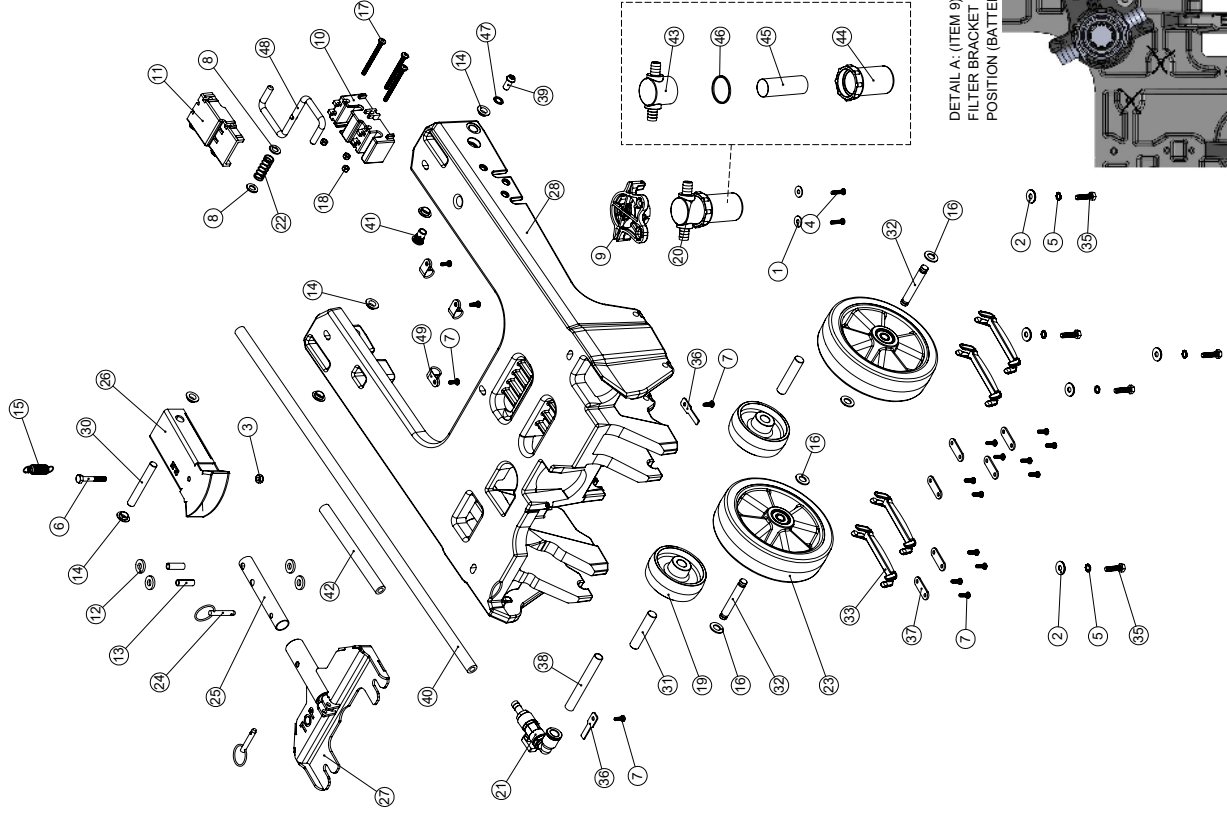
Numatic International Spare Parts

Model No: TGB 3045 (& HGB) CHASSIS ASSEMBLY EXPLODED VIEW

NB: FOR WIRING SEE DRAWING: DRW-22779

903635

DRAWING: DRW-22933 ISSA 15
04/02/2022



Numatic International Spare Parts

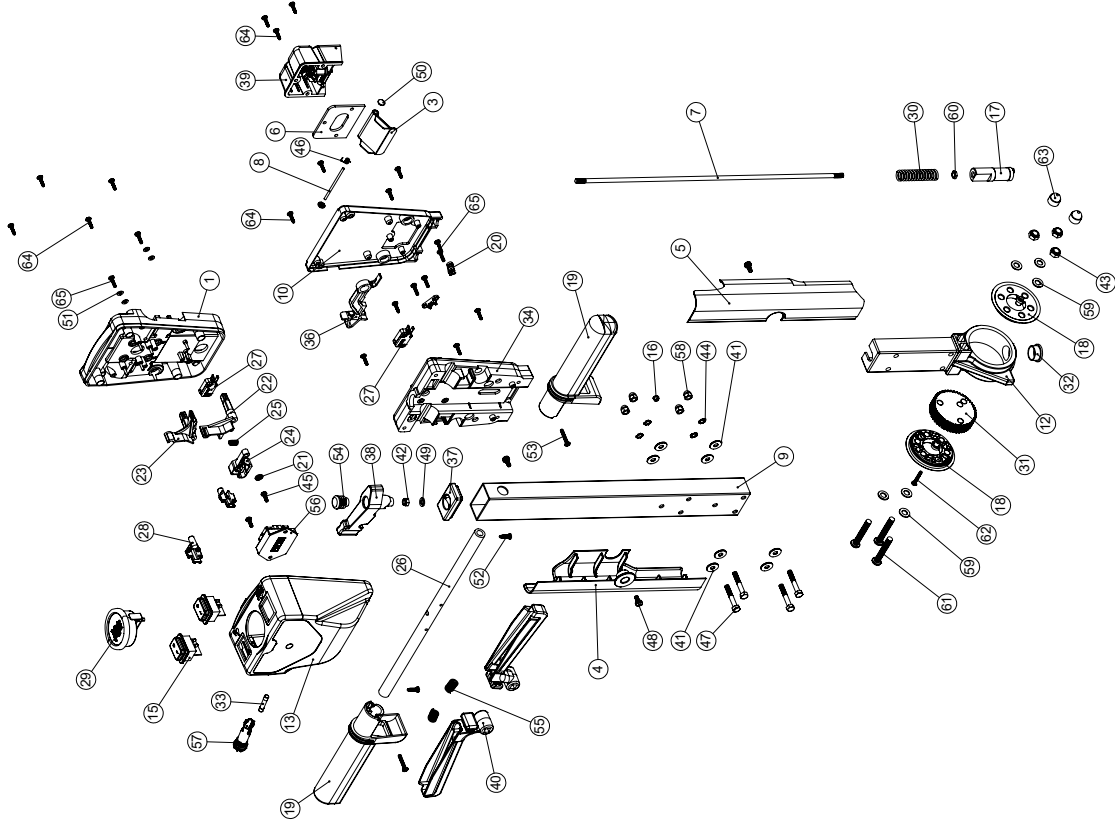
Model No: TGB 3045 (& HGB) CHASSIS ASSEMBLY EXPLODED VIEW

| ITEM: | PART No: | DESCRIPTION | COMMENTS: | QTY: |
|-------|----------|--|--------------------------|------|
| 1 | 219644 | M5 FORM G STAINLESS STEEL WASHER | | 2 |
| 2 | 219647 | M6 FORM G STAINLESS STEEL WASHER | | 5 |
| 3 | 219642 | M6 STAINLESS STEEL NYLON INSERT NUT | | 1 |
| 4 | 219568 | NO8.3/4 INCH LG.POZI-PAN SCREW STAINLESS STEEL PLASTITE | | 2 |
| 5 | 902353 | M6 EXTERNAL SHAKEPROOF WASHER STAINLESS STEEL | | 5 |
| 6 | 291125 | M6 X 40 LONG HEX BOLT STAINLESS STEEL | | 1 |
| 7 | 219569 | NO8.1/2 INCH. LG.POZI-PAN SCREW STAINLESS STEEL PLASTITE | | 17 |
| 8 | 219578 | M8 FORM A STAINLESS STEEL WASHER | | 2 |
| 9 | 901006 | FILTER MOUNTING BRACKET | DETAIL A | 1 |
| 10 | 901280 | LATCH BLOCK BOTTOM MOULDING | | 1 |
| 11 | 901279 | LATCH BLOCK TOP MOULDING | | 1 |
| 12 | 206964 | SLIDE NYLON SPACER | | 4 |
| 13 | 206954 | SPIRO SPACER | | 2 |
| 14 | 208312 | IGUS BEARING (GFM 101205) | | 6 |
| 15 | 208619 | FLOOR TOOL SPRING | | 1 |
| 16 | 219903 | M10 FORM A STAINLESS STEEL WASHER | | 4 |
| 17 | 901558 | M5 X 60MM STAINLESS STEEL POZI PAN MACHINE SCREW | | 3 |
| 18 | 219633 | M5 STAINLESS STEEL NYLON INSERT NUT | | 3 |
| 19 | 206713 | 80MM DIAMETER WHITE WHEEL | | 2 |
| 20 | 208888 | EXTENDED STRAINER | | 1 |
| 21 | 901543 | 12MM SWIVEL ELBOW PUSH FIT TO 10MM HOSE TAIL BALL VALVE ASSEMBLY | | 1 |
| 22 | 208578 | DECK LOCK SPRING | | 1 |
| 23 | 208638 | 160mm WHEEL WITH POLYURETHENE TYRE | | 2 |
| 24 | 206953 | DETENT PINS | | 2 |
| 25 | 304356 | FLOOR TOOL PIVOT TUBE | | 1 |
| 26 | 304359 | TT/TTB4045/4055 SQUEEGEE MOUNT WELD ASSEMBLY | | 1 |
| 27 | 304466 | FLOOR TOOL BRACKET ASSEMBLY (TT/TTB4045/4055) | | 1 |
| 28 | 903589 | T/B PLASTIC CHASSIS | HGB | 1 |
| 29 | 904902 | HGB PLASTIC CHASSIS (BLACK) | | 1 |
| 30 | 903575 | AXLE BAR ST/ST 10MM DIA. 75MM LONG | | 1 |
| 31 | 903576 | AXLE BAR ST/ST 12.7MM DIA. 60MM LONG | | 2 |
| 32 | 903577 | AXLE BAR ST/ST 10MM DIA. 68MM LONG | | 2 |
| 33 | 903597 | AXLE CLIP | | 4 |
| 34 | 905060 | AXLE CLIP (BLACK) | HGB | 1 |
| 35 | 219825 | M6 X 25MM LONG STAINLESS STEEL HEX SCREW | | 5 |
| 36 | 903594 | TAP PLATE | | 2 |
| 37 | 903596 | AXLE PLATE | | 6 |
| 38 | 903573 | NYLON TUBE 12MM OD X 10MM ID (96MM +-1.0) | | 1 |
| 39 | 903566 | M8X16MM LONG STAINLESS STEEL SOCKET BUTTON HEAD BOLT | | 1 |
| 40 | 903580 | SILICON TUBE 640MM LONG X 8MM I/D X 14.4MM OD | | 1 |
| 41 | 903565 | M8 STAINLESS STEEL HEADED NUTSERT | | 1 |
| 42 | 903581 | SILICON TUBE 155MM LONG X 8MM I/D X 14.4MM OD | | 1 |
| 43 | 208827 | STRAINER BLACK TOP | PART OF ITEM 20 (208888) | 1 |
| 44 | 208890 | 68MM EXTENDED STRAINER CLEAR BOWL | PART OF ITEM 20 (208888) | 1 |
| 45 | 208889 | EXTENDED STRAINER 50 MESH SCREEN | PART OF ITEM 20 (208888) | 1 |
| 46 | 208890 | STRAINER GASKET | PART OF ITEM 20 (208888) | 1 |
| 47 | 902520 | M8 INTERNAL WASHER SHAKEPROOF STAINLESS STEEL | | 1 |
| 48 | 904440 | DECK LATCH BAR | | 1 |
| 49 | 219465 | P-CLIP | | 3 |

903636
 DRAWING: DRW-22934 ISS A19
 20/09/2022

Numatic International Spare Parts
Model No: TGB 3045/4045/4055 (& HGB) HANDLE ASSEMBLY EXPLODED VIEW

NB: FOR TGB & HGB WIRING SEE DRAWING: DRW-22704
 NB: FOR TGB 3045/4045/4055 WD: DRW-22704



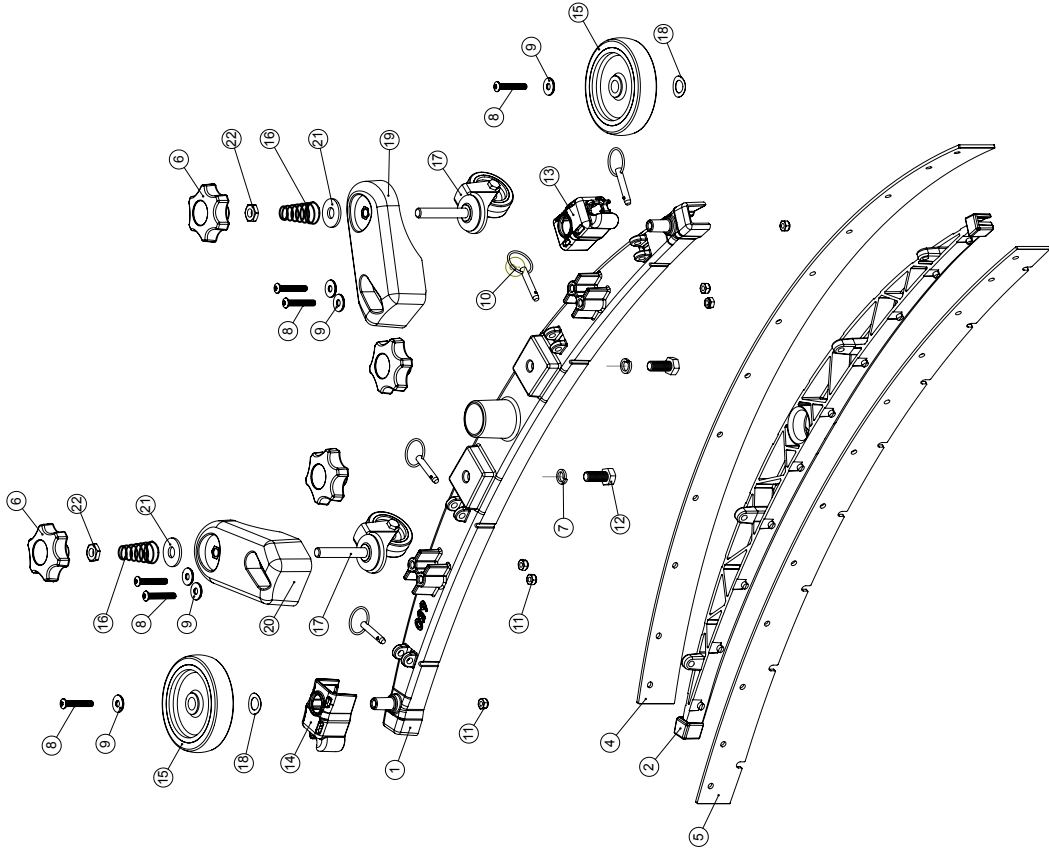
Numatic International Spare Parts
Model No: TGB 3045/4045/4055 (& HGB) HANDLE ASSEMBLY EXPLODED VIEW

| ITEM | PART No: | DESCRIPTION | COMMENTS: | QTY: |
|------|----------|---|---------------------------------------|------|
| 1 | 227576 | FRONT INNER HALF MOULDING | STANDARD TGB MACHINE | 1 |
| | 237542 | FRONT INNER HALF MOULDING (BLACK) | FOR HGB | |
| | 229508 | FLAME RETARDANT FRONT INNER HALF MOULDING | FLAME RETARDANT 120V | |
| 3 | 227781 | FLAP MOULDING | | 1 |
| 4 | 237692 | HANDLE CABLE COVER L/H | FLAME RETARDANT 120V + HGB USE 904907 | 1 |
| 5 | 237693 | HANDLE CABLE COVER R/H | FLAME RETARDANT 120V + HGB USE 904908 | 1 |
| 6 | 202105 | SOCKET COVER SEALING GASKET | | 1 |
| 7 | 229461 | 440MM HANDLE LOCKING ROD | | 1 |
| 8 | 390979 | 72MM LONG X 3MM DIAMETER STAINLESS STEEL BAR | | 1 |
| 9 | 903603 | TGB/TTG 430MM PROCESSED ALI HANDLE PAINT SILVER | | 1 |
| 10 | 303509 | MODIFIED REAR COVER | STANDARD TGB MACHINE | 1 |
| | 905828 | MODIFIED REAR COVER MOULDING (BLACK) | FOR HGB | |
| | 303628 | FLAME RETARDANT MODIFIED REAR COVER MOULDING | FLAME RETARDANT 120V (+HGB) | |
| 12 | 900388 | HANDLE CASTING MACHINED (HNS VERSION) | | 1 |
| 13 | 903556 | TGB HANDLE FRONT COVER TFPP | STANDARD TGB MACHINE | 1 |
| | 905846 | TGB HANDLE FRONT COVER TFPP BLACK | FOR HGB | |
| | 903560 | TGB HANDLE FRONT COVER FRPP | FLAME RETARDANT 120V (+HGB) | |
| 15 | 902235 | SWITCH DPST RED ILLUMINATED WITH MEMBRANE 24V | | 2 |
| 16 | 229009 | BLANKING PLUG | | 1 |
| 17 | 229073 | GEAR LOCKING PIN | | 1 |
| 18 | 900396 | ADJUSTMENT GEAR SPACER | | 2 |
| 19 | 227580 | HAND GRIP MOULDING | FLAME RETARDANT 120V + HGB USE 237544 | 2 |
| 20 | 229669 | LOLINE HANDLE CABLE CLAMP | | 2 |
| 21 | 219805 | 4MM SPIREX | | 1 |
| 22 | 227585 | LEFT HAND SWITCH OPERATING LEVER MOULDING | | 1 |
| 23 | 227586 | RIGHT HAND SWITCH OPERATING LEVER MOULDING | | 1 |
| 24 | 227587 | CENTRE SWITCH OPERATING LEVER MOULDING | | 1 |
| 25 | 219804 | SWITCH COMPRESSION SPRING | | 1 |
| 26 | 338269 | CROSS TUBE | | 1 |
| 27 | 229483 | SNAP ACTION SWITCH | | 2 |
| 28 | 903558 | TGB HANDLE BOSS | | 2 |
| 29 | 914620 | BATTERY HOURS METER NE306 | INCLUDES O-RING | 1 |
| 30 | 229138 | SPRING 15.85MM OD 76.5MM FREE LENGTH | | 1 |
| 31 | 900397 | MINI ADJUSTMENT GEAR | | 1 |
| 32 | 229089 | 25MM DIA HOLE PLUG | | 1 |
| 33 | 903066 | FUSE 2.5A (6.3x32) | | 1 |
| 34 | 227577 | REAR INNER HALF MOULDING (BLACK) | STANDARD TGB MACHINE | 1 |
| | 229509 | FLAME RETARDANT REAR INNER HALF MOULDING | FOR HGB | |
| | 227584 | INTERLOCK LEVER MOULDING | FLAME RETARDANT 120V (+HGB) | |
| 36 | 227584 | INTERLOCK LEVER MOULDING | | 1 |
| 37 | 903546 | HANDLE PLUG MOULDING (RED) | | 1 |
| 38 | 903545 | ADJUSTMENT LEVER MOULDING (RED) | | 1 |
| 39 | 904030 | 240V EMI FILTER WITH SOCKET COVER ASSEMBLY (PROCESSED) | 240V VERSION | 1 |
| | 904031 | 120V EMI FILTER WITH SOCKET COVER ASSEMBLY (PROCESSED) | 120V VERSION | |
| 40 | 903547 | TRIGGER MOULDING (RED) | | 2 |
| 41 | 219647 | M6 FORM G STAINLESS STEEL WASHER | | 8 |
| 42 | 219642 | M6 STAINLESS STEEL NYLON INSERT NUT | | 1 |
| 43 | 219639 | M8 STAINLESS STEEL NYLON INSERT NUT | | 3 |
| 44 | 902353 | M6 EXTERNAL SHAKEPROOF WASHER STAINLESS STEEL | | 4 |
| 45 | 219569 | N08 X 1/2 INCH LONG POZI PAN STAINLESS STEEL PLASTITITE SCREW | | 2 |
| 46 | 219819 | TORSION SPRING | | 1 |
| 47 | 291125 | M6 X 40 LONG HEX BOLT STAINLESS STEEL | | 4 |
| 48 | 291131 | M5 X 12MM LONG STAINLESS STEEL POZI PAN SEMS SCREW | | 3 |
| 49 | 219493 | M6 NYLON WASHER | | 1 |
| 50 | 219832 | 3MM DIAMETER STARLOCK | | 4 |
| 51 | 219688 | M4 FORM A STAINLESS STEEL WASHER | | 2 |
| 52 | 219036 | N08 X 5/8 INCH LONG POZI PAN SELF TAPPING SCREW | | 2 |
| 53 | 219369 | N08 X 1 INCH LONG POZI PAN STAINLESS STEEL PLASTITITE SCREW | | 2 |
| 54 | 206387 | 19MM BLACK TUBE END STOP | | 1 |
| 55 | 219803 | TRIGGER COMPRESSION SPRING | | 2 |
| 56 | 903766 | DMH Terminal Block PCB Assembly | | 1 |
| 57 | 903032 | BULGIN PANEL MOUNT FUSEHOLDER | | 1 |
| 58 | 219764 | M6 STAINLESS STEEL DOME NUT | | 4 |
| 59 | 219578 | M8 FORM A STAINLESS STEEL WASHER | | 6 |
| 60 | 219099 | M6 HALF NUT | | 1 |
| 61 | 219922 | M8 X 50MM LONG SOCKET BUTTON HEAD STAINLESS STEEL BOLT | | 3 |
| 62 | 291150 | N08 X 1 INCH LONG POZI PAN SCREW S/S | | 2 |
| 63 | 903260 | M8 BOLT AND NUT CAP | | 15 |
| 64 | 219370 | N08 X 5/8 INCH LONG PLASTITITE STAINLESS STEEL SCREW | | 2 |
| 65 | 219914 | N08 X 5/8 INCH LONG POZI PAN PLASTITITE STAINLESS STEEL SCREW | | 6 |

Numatic International Spare Parts
Model No: 650 TWINTEC ALUMINIUM FLOOR TOOL (38MM HOSE, RED TRIM, SERILOR BLADES)

903347
 DRAWING: DRW-22621 ISS:A09
 PRO
 27/03/2018

NB: FOR WIRING SEE DRAWING: N/A



Numatic International Spare Parts
Model No: 650 TWINTEC ALUMINIUM FLOOR TOOL (38MM HOSE, RED TRIM, SERILOR BLADES)

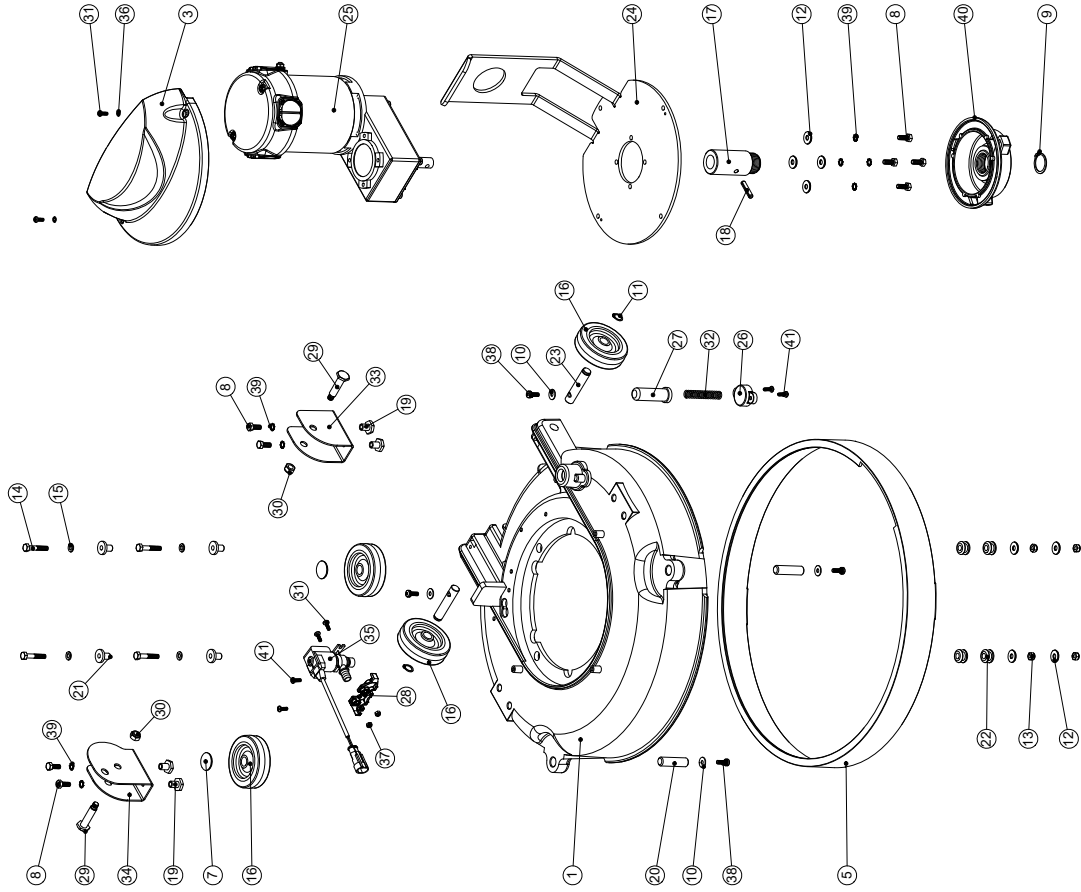
| ITEM: | PART No: | Description | Qty |
|-------|----------|--|-----|
| 1 | 208198 | (650MM SCRUB WIDTH) ALUMINIUM SQUEEGEE CASTING (38MM HOSE FITTING) | 1 |
| 2 | 903345 | (650MM SCRUB WIDTH) RED BLADE HOLDER MouldING (SLOPING PROFILE) (32MM & 38MM HOSE FITTING) | 1 |
| | 900518 | 650 REPLACEMENT SERILOR GREEN POLYURETHANE BLADES SET | |
| 4 | 208970 | (650MM SCRUB WIDTH) REPLACEMENT (4.0MM / 35-45 SHORE A) REAR LAMINATED SERILOR POLY/BLADE (847MM LONG) | 1 |
| 5 | 208987 | (650MM SCRUB WIDTH) REPLACEMENT (3.2MM / 40 SHORE A) FRONT MONOLAYER SERILOR POLY/BLADE (819MM LONG) | 1 |
| 6 | 903281 | M10 LOBE KNOB (RED) | 4 |
| 7 | 219889 | M10 SINGLE COIL STAINLESS STEEL WASHER | 2 |
| 8 | 219933 | M6 X 35MM SOCKET BUTTON HEAD BOLT STAINLESS STEEL | 6 |
| 9 | 219647 | M6 FORM G STAINLESS STEEL WASHER | 6 |
| 10 | 206953 | DETENT PINS | 4 |
| 11 | 219642 | M6 STAINLESS STEEL NYLON INSERT NUT | 6 |
| 12 | 219909 | M10 X 25MM LONG HEXAGONAL STAINLESS STEEL SCREW | 2 |
| 13 | 237322 | RIGHT HAND FLOOR TOOL CLIP MOULDING | 1 |
| 14 | 237323 | LEFT HAND FLOOR TOOL CLIP MOULDING | 1 |
| 15 | 208796 | 4 INCH WHEEL | 2 |
| 16 | 229175 | CONICAL SPRING | 2 |
| 17 | 907759 | 50MM DIAMETER GREY TPR TYRED SWIVEL CASTOR C/W M10 X 60 SWAGED STEM. | 2 |
| 18 | 219891 | 13MM WAVEY WASHER | 2 |
| 19 | 906860 | ADJUSTABLE FLOOR TOOL CASTOR PLASTIC PLATE LEFT | 1 |
| 20 | 906859 | ADJUSTABLE FLOOR TOOL CASTOR PLASTIC PLATE RIGHT | 1 |
| 21 | 291124 | M10 PENNY WASHER STAINLESS STEEL | 2 |
| 22 | 219951 | A4 (STAINLESS STEEL) M10 HEX LOCK NUT (HALF NUT) | 2 |

Numatic International Spare Parts

Model No: TGB 3045/4045 (& HGB) BRUSH DECK ASSEMBLY EXPLODED VIEW

NB: FOR TGB 3045 WIRING SEE DRAWING: DRW-22779

NB: FOR TGB 4045 WD: DRW-22704



Numatic International Spare Parts

Model No: TGB 3045/4045 (& HGB) BRUSH DECK ASSEMBLY EXPLODED VIEW

| ITEM: | PART No: | DESCRIPTION | COMMENTS: | QTY. |
|-------|----------|---|-----------|------|
| 1 | 229258 | TT 345 GRAPHITE BASE MOULDING (SPARES USE 329090) | | 1 |
| | 904896 | HGB3045 RED BASE MOULDING (SPARES USE 905414) | HGB | |
| 3 | 237380 | AMER MOTOR COVER | | 1 |
| | 904897 | AMER MOTOR COVER (BLACK) | HGB | |
| 5 | 229644 | 450MM DIAMETER SPLASH SKIRT MOULDING | | 1 |
| | 904898 | 450MM DIAMETER SPLASH SKIRT MOULDING (BLACK) | HGB | |
| 7 | 204021 | 12.7MM STAINLESS STEEL HUB CAP | | 2 |
| 8 | 219719 | M6 X 16MM LONG HEXAGONAL STAINLESS STEEL HEAD BOLT | | 8 |
| 9 | 230048 | 26MM EXTERNAL CIRCLIP | | 1 |
| 10 | 219644 | M5 FORM G STAINLESS STEEL WASHER | | 4 |
| 11 | 219345 | 12MM EXTERNAL CIRCLIP | | 2 |
| 12 | 219647 | M6 FORM G STAINLESS STEEL WASHER | | 8 |
| 13 | 219642 | M6 STAINLESS STEEL NYLON INSERT NUT | | 4 |
| 14 | 291127 | M6 X 35 LONG HEX BOLT STAINLESS STEEL | | 4 |
| 15 | 219870 | M6 FORM A WASHER STAINLESS STEEL | | 4 |
| 16 | 204068 | 3 INCH GREY WHEEL | | 4 |
| 17 | 208727 | DRIVE SHAFT | | 1 |
| 18 | 291079 | 6MM X 30MM STAINLESS STEEL ROLL PIN | | 1 |
| 19 | 219606 | BRACKET SPACER | | 4 |
| 20 | 206013 | BUFFER WHEEL PIN | | 2 |
| 21 | 208011 | MOTOR MOUNTING SPACER | | 4 |
| 22 | 229025 | STANDARD GROMMET | | 4 |
| 23 | 229382 | REAR WHEEL PIN | | 2 |
| 24 | 392362 | MOTOR ADAPTOR PLATE PAINT SILVER GREY | | 1 |
| 25 | 205245 | AMER 100RPM MOTOR | | 1 |
| 26 | 223242 | PLUNGER MOUNTING PLATE MOULDING | | 1 |
| 27 | 229128 | PLUNGER | | 1 |
| 28 | 902556 | SOLENOID MOUNT MOULDING | | 1 |
| 29 | 206236 | PIVOT PIN | | 2 |
| 30 | 219639 | M8 STAINLESS STEEL NYLON INSERT NUT | | 2 |
| 31 | 219890 | M4 X 12MM LONG POZI PAN STAINLESS STEEL SCREW | | 4 |
| 32 | 219394 | COMPRESSION SPRING | | 1 |
| 33 | 392249 | DECK MOUNT RH | | 1 |
| 34 | 392248 | DECK MOUNT BRACKET | | 1 |
| 35 | 902949 | TERMINATED SOLENOID CABLE BLACK:125.0M5.2.24 | | 1 |
| 36 | 291145 | M4 SHAKEPROOF WASHER STAINLESS STEEL | | 2 |
| 37 | 219687 | M4 STAINLESS STEEL NYLON INSERT NUT | | 2 |
| 38 | 291132 | M5 X 16MM LONG STAINLESS STEEL POZI PAN SEMS SCREW | | 4 |
| 39 | 902353 | M6 EXTERNAL SHAKEPROOF WASHER STAINLESS STEEL | | 8 |
| 40 | 230207 | DIE CAST CHUCK MACHINED | | 1 |
| 41 | 219669 | NO8.1/2 INCH. LG. POZI-PAN SCREW STAINLESS STEEL PLASTITE | | 4 |

903634

DRAWING: DRW-22932 ISS:A15
30/07/2019

Internal Code:

PRO

Numatic International Limited (Head Office)

Chard, Somerset TA20 2GB, UNITED KINGDOM

Tel: 01460 68600 numatic.com

Numatic International GmbH

Fränkische Straße 15-19, 30455 Hannover, DEUTSCHLAND

Tel: +49 (0) 511 984 2160 numatic.de

Numatic International Denmark

Fränkische Straße 15-19, 30455 Hannover, DEUTSCHLAND

Tel: +45 (0) 316 40808 numatic-online.dk

Numatic International S.A.S

13/17 rue du Valengelier, EAE la Tuilerie, 77500 Chelles, FRANCE

Tel: +33 (0) 164 726 161 numatic.fr

Numatic International BV

Vennootsweg 15, 2404 CG, Alphen aan den Rijn, NEDERLAND

Tel: +31 (0) 172 467 999 numatic.nl

Numatic International Schweiz AG.

Sihlbruggstrasse 3A, 6340 Baar, SCHWEIZ

Tel: +41 (0) 41 768 0760 numatic.ch

Numatic International (PTY) Ltd.

Cnr. 16th & Pharmaceutical Road, Randjes Park, Midrand 1685, SOUTH AFRICA

Tel: +27 (0) 861 686 284 numatic.co.za

Numatic International ULDA

Rua Francisco da Silva Duarte, nº79,

4475-269 Santa Maria de Avioso, Castelo da Maia, PORTUGAL

Tel: +351 220 047 700 numatic.pt

Numatic International Spain, S.L.U.

Av. Baix Llobregat, 5-7, Oficina bajos 1 (Parc Negocis Mas Blau II)

08820 El Prat de Llobregat (Barcelona), SPAIN

Tel: +34 93 647 22 22 numatic.es

Numatic International Italy S.R.L

Via Luigi Galvani, 2, Z.I. Talponedo, 33080 Porcia (PN), ITALY

Tel: +39 (0) 434 046 211 numatic.it