

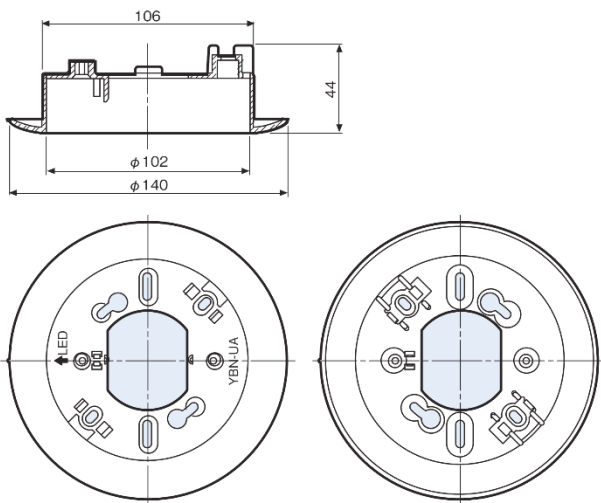
HOCHIKI

YBN-UA

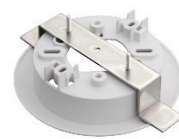
Flush mount base adapter



Dimension (mm)



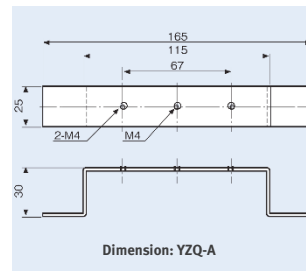
Bracket



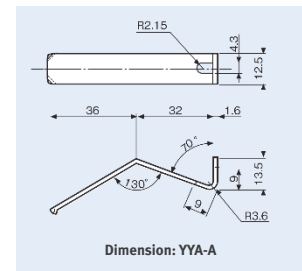
YZQ-A
(Mounting Bracket)



YYA-A
(Mounting Bracket)



Dimension: YZQ-A



Dimension: YYA-A

Specification

Type	Flush Mount Base Adapter
Model	YBN-UA (RoHS)
Operating Temp. Range	-10°C to 50°C
Material	Self-Extinguishing Resin
Color	White Ivory
Dimension	φ140 x 44mm
Weight	Approx. 60g
Mounting Bracket	YZQ-A, YYA-A*
Country of Origin	Japan
Suitable Detector	ALK, ATI, ASB

*YZQ-A and YYA-A are sold separately

HOCHIKI ASIA PACIFIC PTE. LTD.
82 Ubi Ave 4 #06-02
Edward Boustead Centre, Singapore 408832
TEL: 65-6841-9728 | FAX: 65-6841-9781
URL : www.hochikiasiapacific.com

HEAD OFFICE
10-43 Kamiosaki 2-Chome.
Shinagawa-Ku, Tokyo 141-8660 Japan
TEL: 81-(3)-3444-4116 | FAX: 81-(3)-3444-4167
URL :www.hochiki.co.jp