

Henry Quick

(HEN.100)


Hetty Quick



(HTY.100)

Henry Quick Pet

(HEN.100)



 **OUT OF THE BOX**
Instructions



Original Instructions

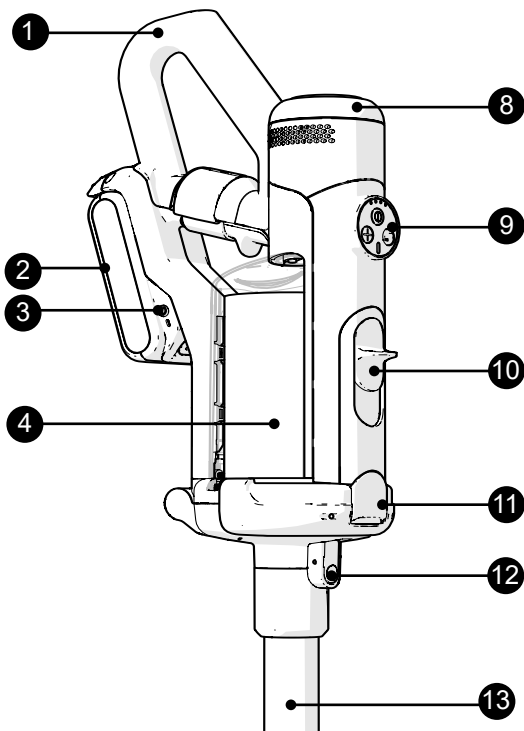
CAUTION, Read instructions before using the machine
KEEP FOR FUTURE REFERENCE



Nu-Assist

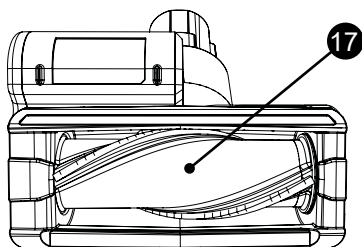
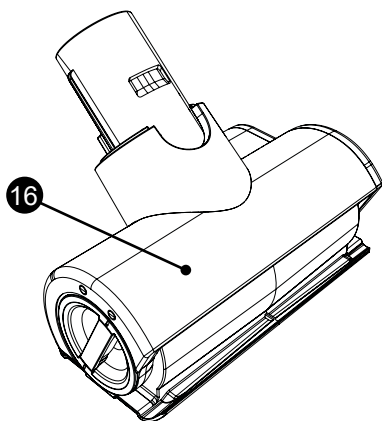
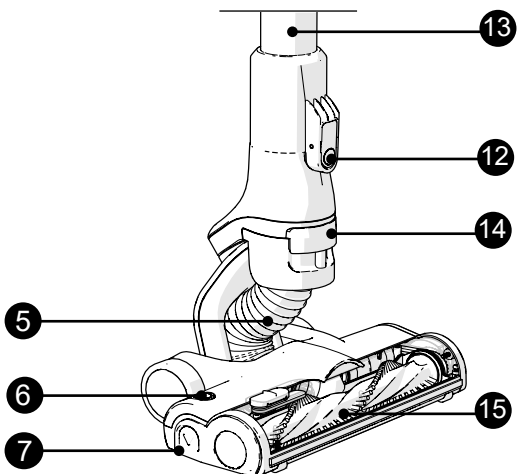


myhenry.com

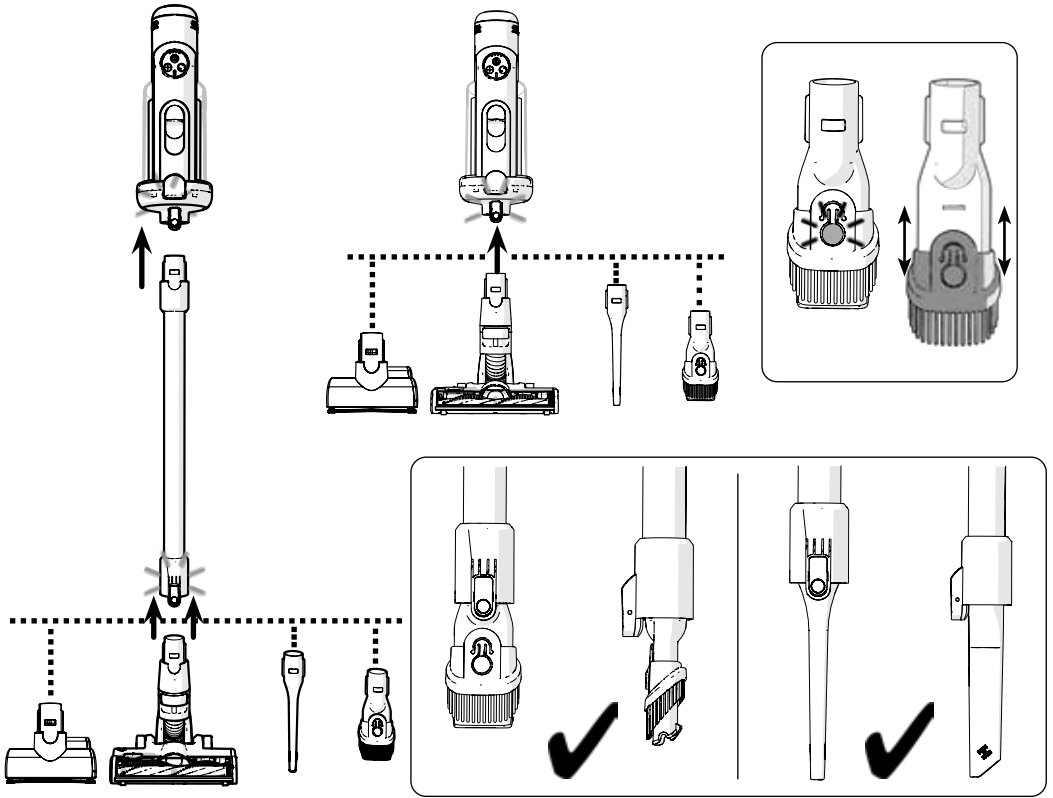


EN		
1	Extension handle	Page 9
2	Battery pack	Page 4, 5 & 10
3	Charging Port	Page 7 & 10
4	Filter Pod / Tank	Page 8
5	Hose	Page 11
6	Brush release button	Page 12
7	Brush release panel	Page 12
8	Scent capsule cover	Page 6
9	Control Panel	Page 5 & 10
10	Lid release / Pod Eject	Page 8
11	Lid Catch	Page 8
12	Release Button	Page 4
13	Wand Section	Page 4
14	Hose release	Page 11
15	Brush Roll	Page 12
16	Mini Motorised Floor Tool	Page 4 & 12
17	Brush Roll	Page 12

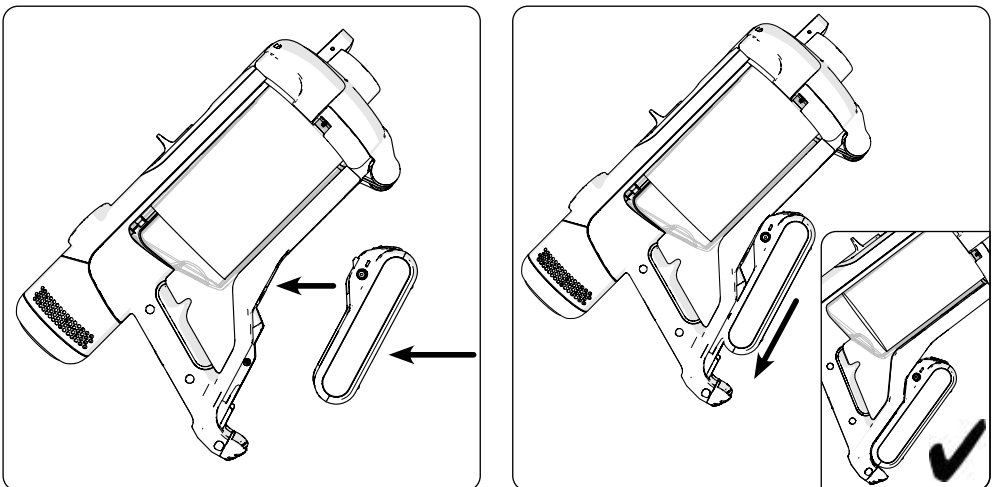
Note: The Mini Motorised Floor Tool is Not Included as standard. Available as an optional accessory



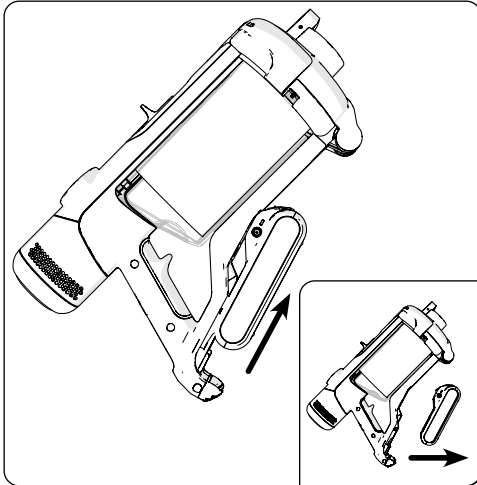
Accessory Fitting



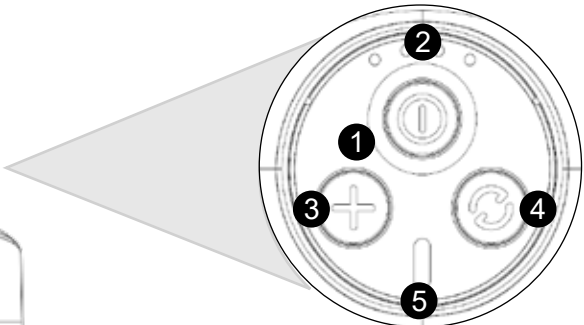
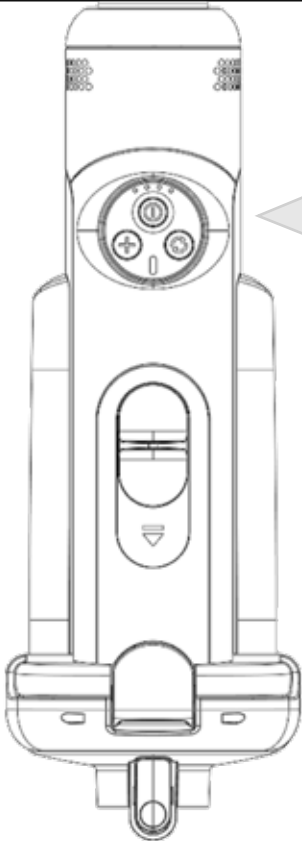
Battery Fitting



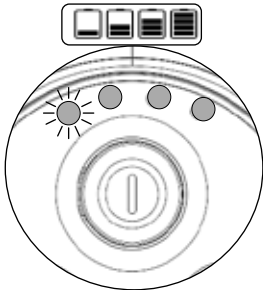
Battery Removal



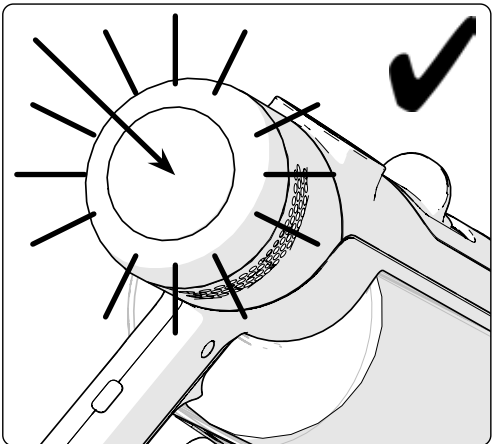
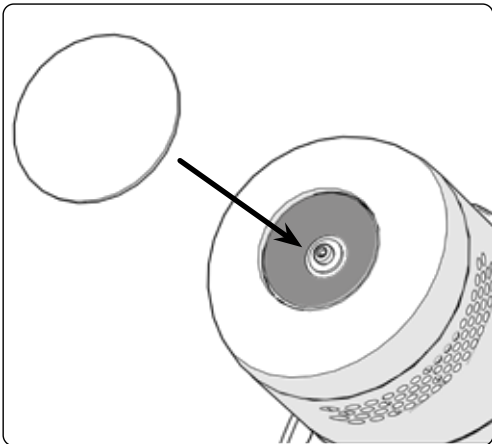
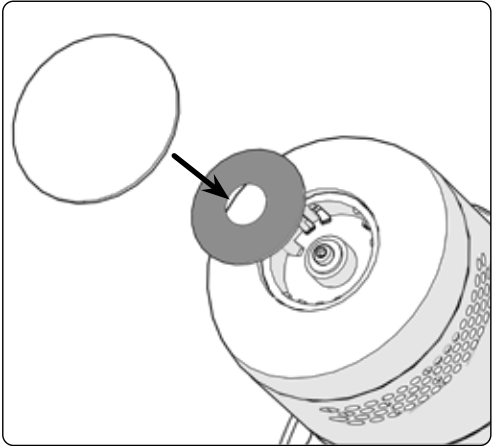
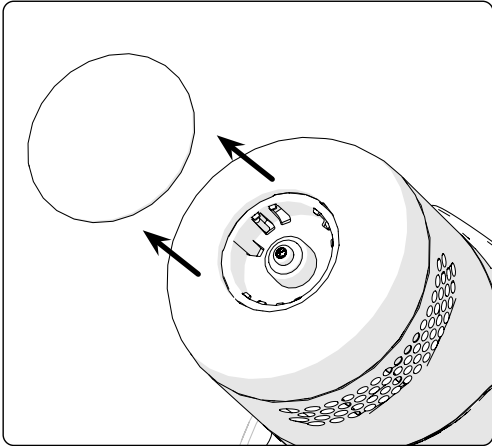
Control Panel



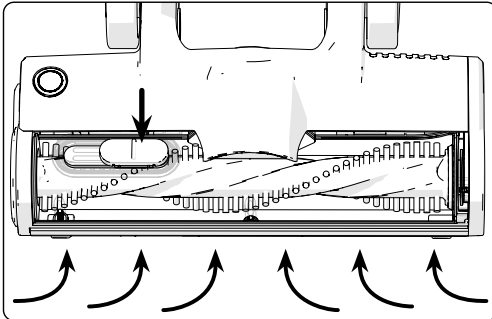
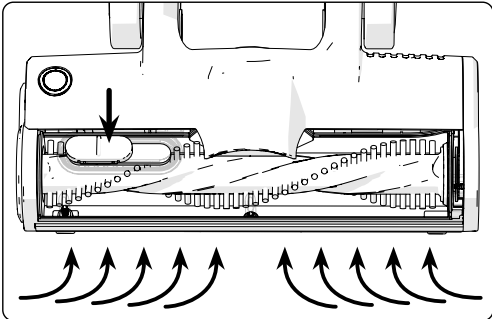
1	Power on/off
2	Battery life / Charge status
3	Boost mode on/off
4	Brush roll on/off
5	Filter POD full / System blockage



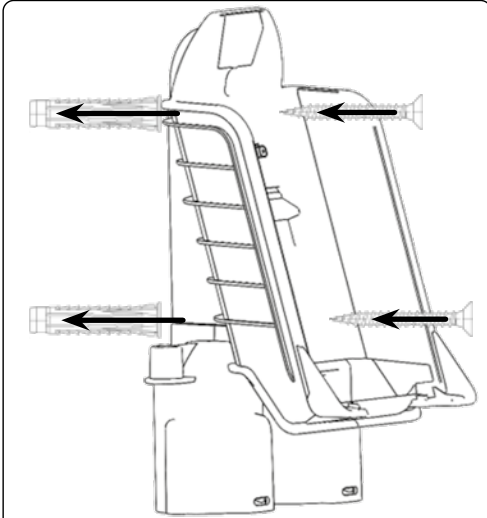
Scent Capsule Fitting



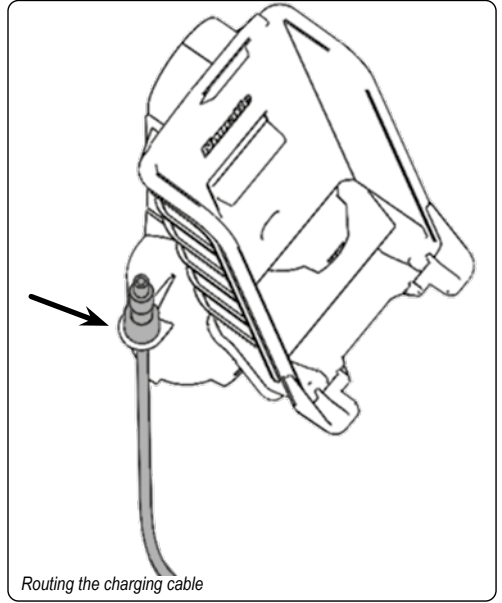
Floor Tool Air Bleed Control



Charger Wall Mounting

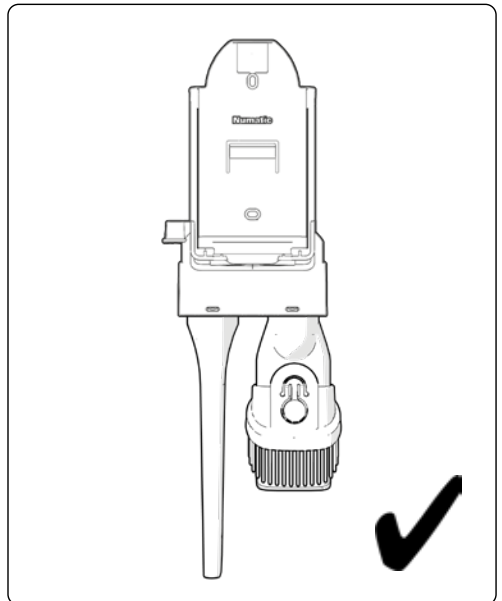
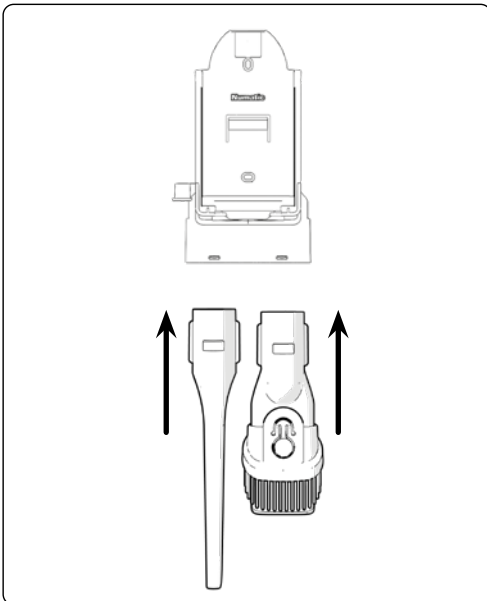


Use correct fixings for your wall type, which is suitable for the weight of the machine (3.2kg).
The use of adhesives is not considered a reliable means of fixing.

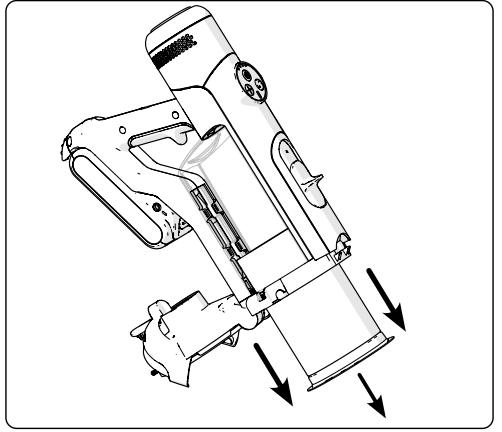
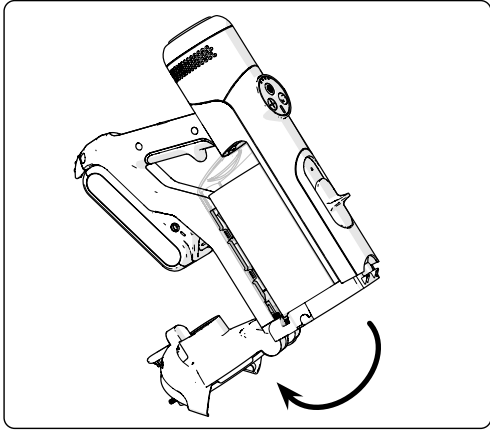
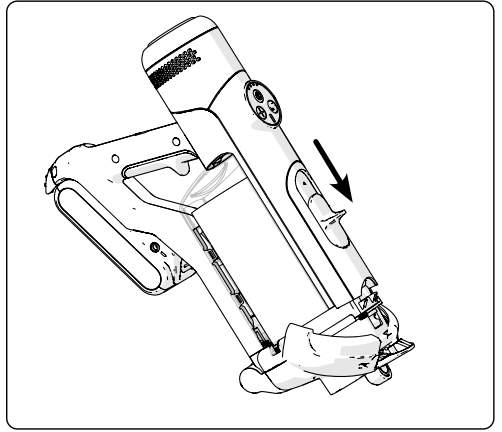
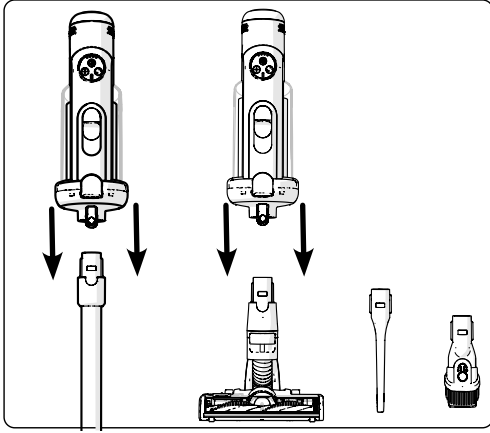


Routing the charging cable

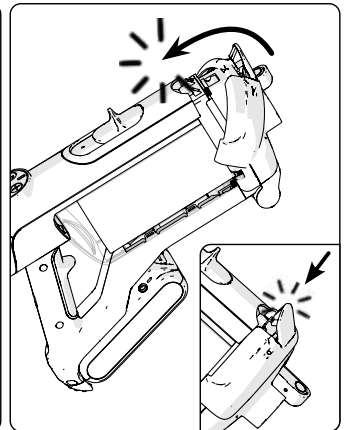
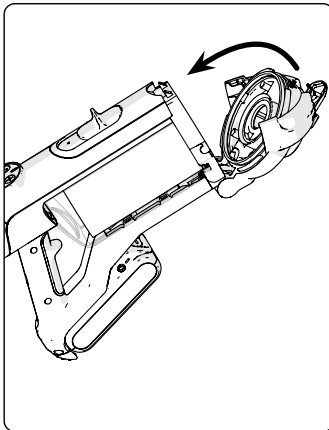
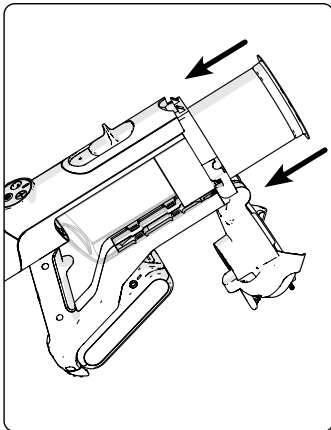
Accessory Storage



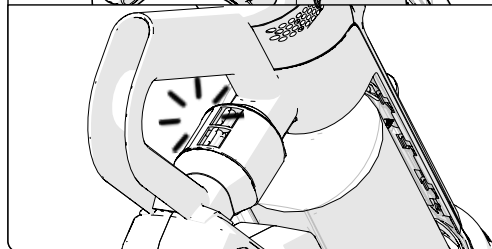
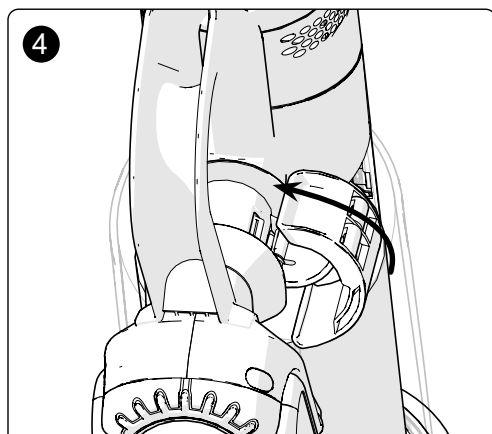
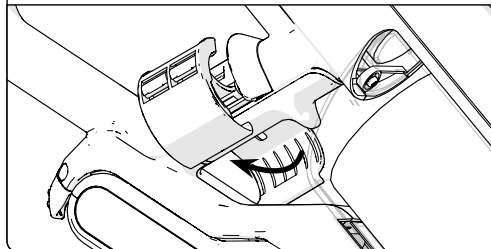
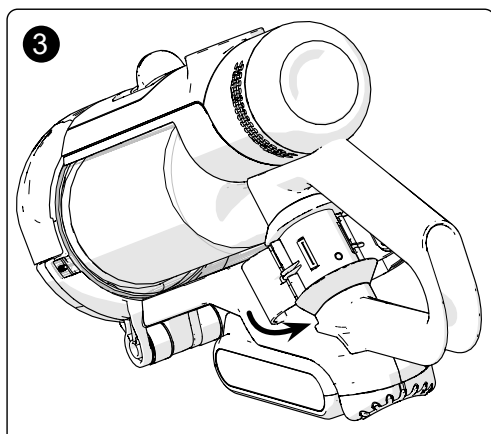
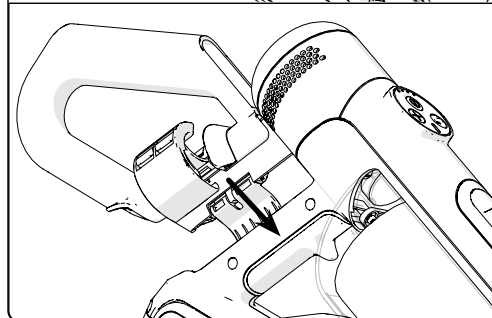
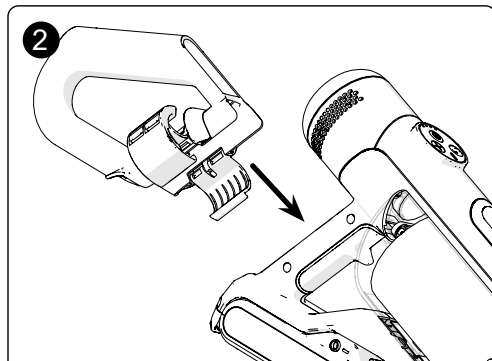
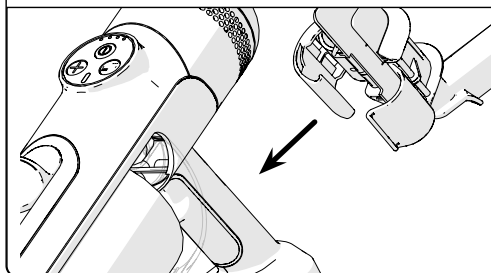
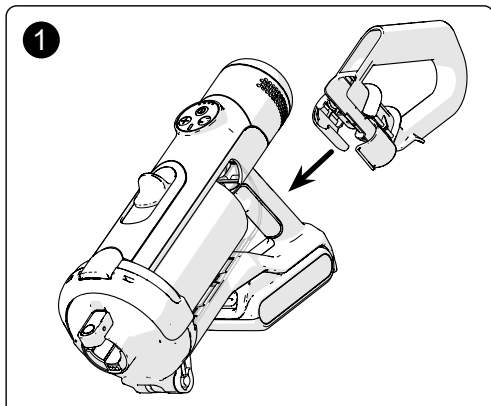
Disposable Pod Emptying



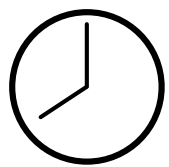
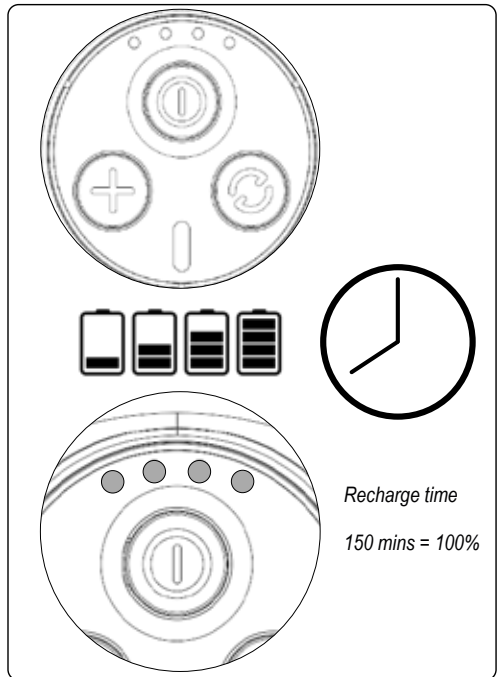
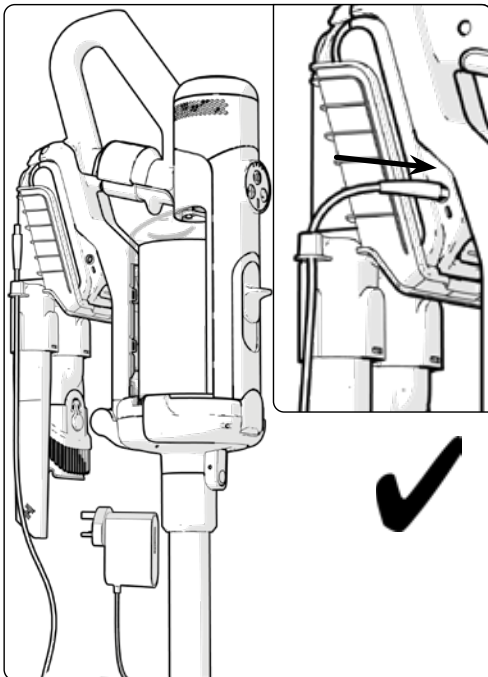
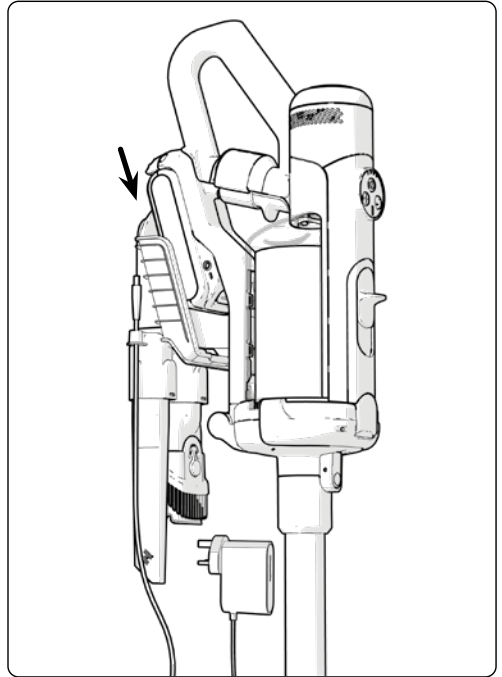
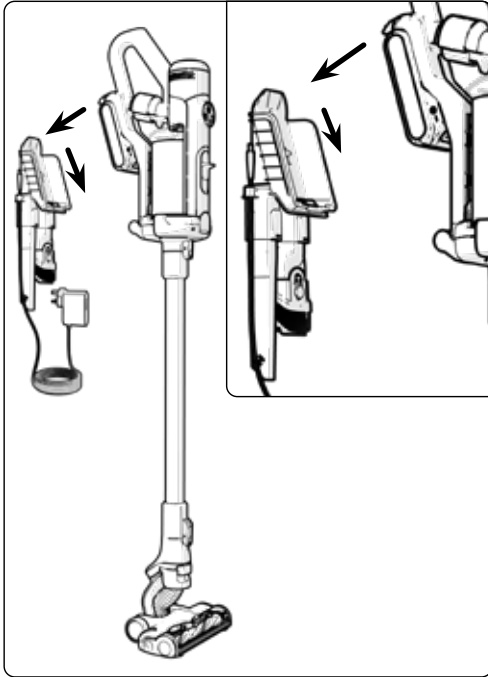
Disposable Pod Fitting



Extension Handle Fitting / Removal

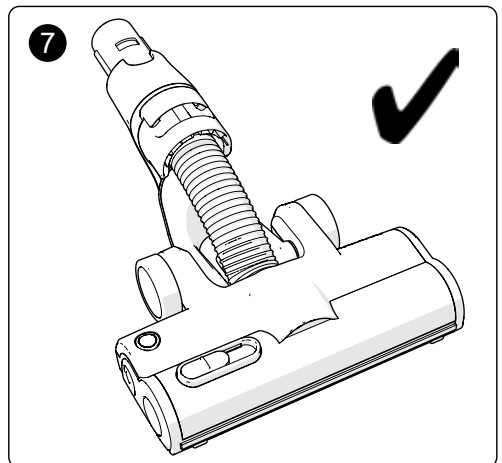
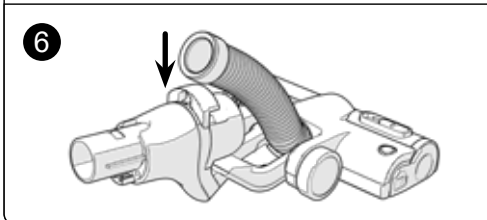
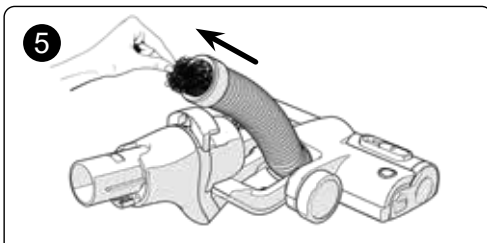
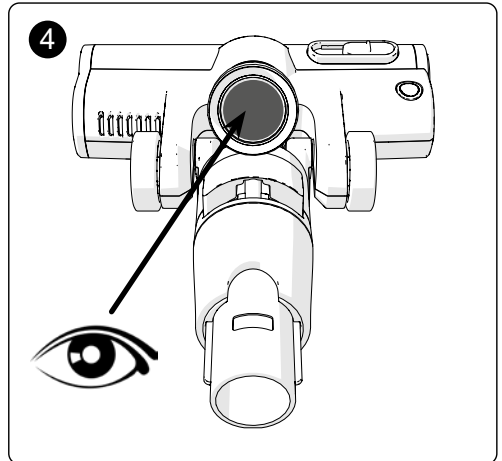
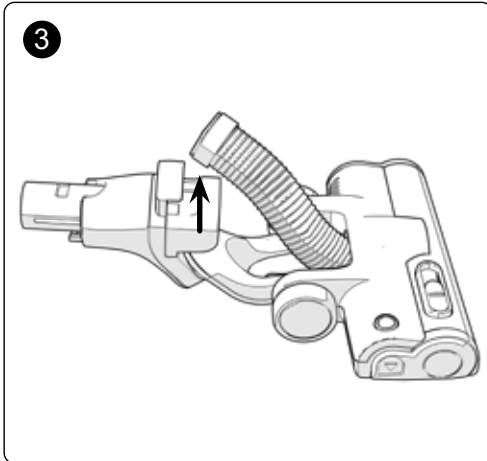
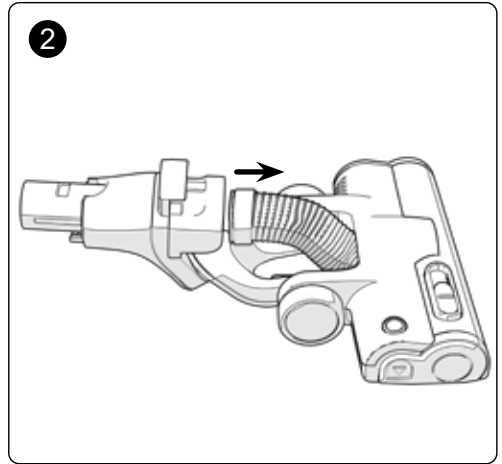
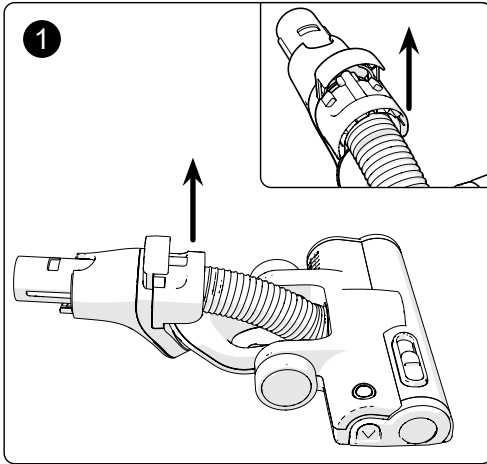


Machine Charging

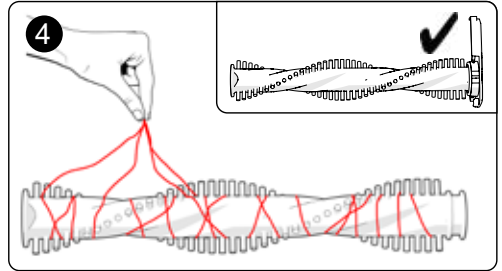
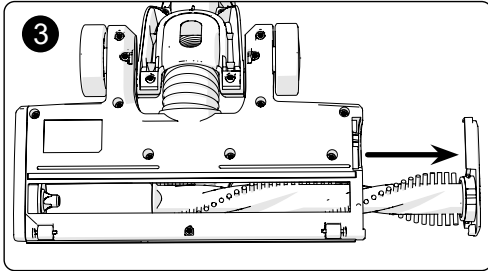
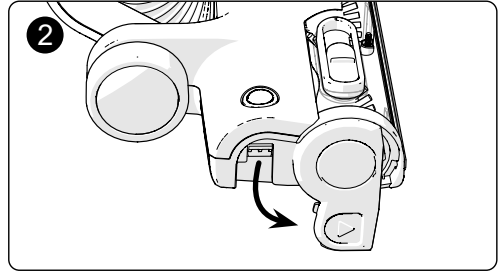
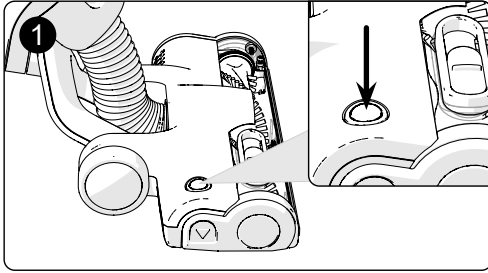


Recharge time
150 mins = 100%

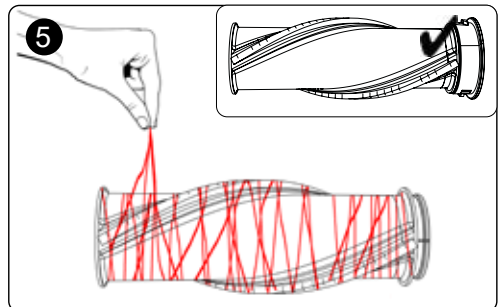
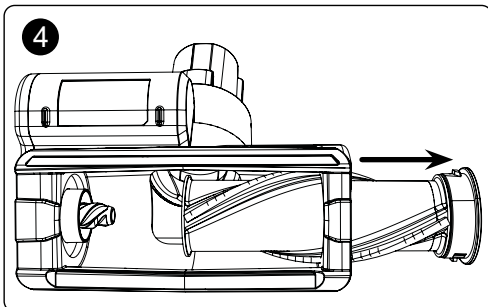
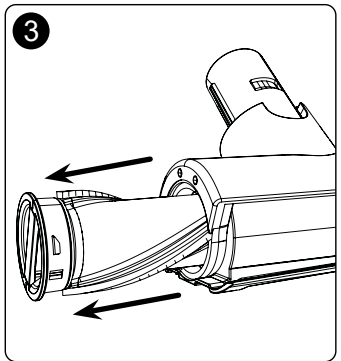
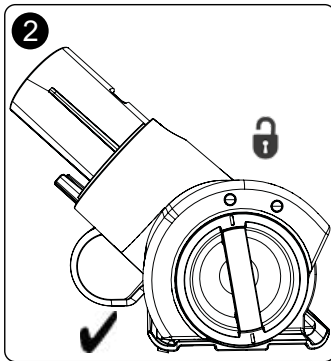
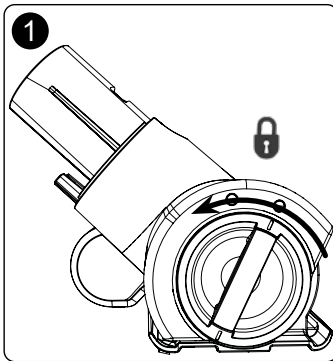
Floortool Hose Cleaning / Blockage Removal



Brush Roller Removal & Cleaning



Mini Motorised Floor Tool Brush Roller Removal & Cleaning



Machine data

Model	Voltage	Protection class	Weight (Ready to work)	Sound Pressure (LpA) Uncertainty (KpA)	*Run Time
HEN.100	25.2V	Class III	3.2 kg	77 dB(A) 0.5 dB	70 min (Low - Brush OFF) 55 min (Low - Brush ON) 16 min (High - Brush OFF) 14 min (High - Brush ON)
HTY.100	Pod Capacity	*Charging Times	Rated Power	Hand / Arm Vibration	Dimensions L x W x H
	1 L	150 mins to 100%	300W	ah ≤ 2.5 m/s 2	270mm x 240mm x 1220mm

*Run and Recharge times may vary dependent on ambient temperature and expected battery ageing

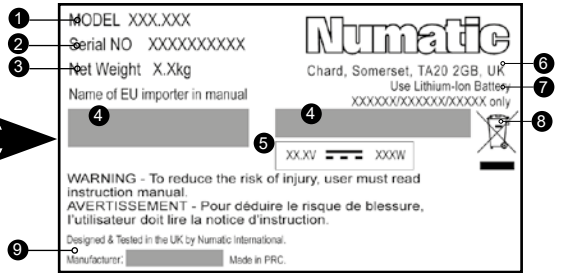
Trouble Shooting

No.	Problem	Possible Reason	Solution
1	Large RED light on control panel is flashing	There may be a blockage in the system	Check the floorhead hose, wands, connections and accessories, remove any blockages, page 11
		The filter pod may be full	If there are no blockages in the system, eject and replace the filter pod, page 8
2	Machine is difficult to push on carpet	The carpet pile is very deep or dense and can cause high pressure inside the floor head	Open the air valve on top of the floorhead to reduce pressure, page 6
			Switch the machine from boost to normal mode, page 5
3	Floor brush cuts out on rugs or carpet	The carpet or rug pile is very deep and can cause high pressure on the brush, the safety system cuts power to the brush	Switch off floor brush from the control panel, page 5
			Switch the machine from boost to normal mode, page 5
4	Vacuum lifts area rugs	The vacuum suction may be too high and/or the brush roll is picking up the rug	Switch the machine from boost to normal mode and switch off the brush roll, page 5
			Adjust floor Tool Air Bleed Control, page 6
5	Floor head is not picking up hair or fibres	The floor brush has excessive hair wrapped around it	Remove the floor brush from the floor head and clean, page 12
		There is a partial blockage in the floor head or wands	Check the floorhead hose and wands, remove any blockages, page 11/12
6	No power at rotating floor brush	The brush head button is switched off	Switch the machine off and then back on again, page 5
7	Machine will not power up after prolonged use	The machine is equipped with a motor-protective thermostat as well as battery extreme temperatures protections, the system temperatures are outside of working parameters	Allow the machine and the battery to cool down

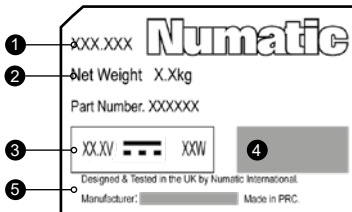
(EN) About your machine

Rating Label

1	Model
2	Machine yr/wk Serial Number
3	Weight
4	Approval Marks
5	Voltage / Direct Current / Rated Power
6	Company Name & Address
7	Use Lithium-Ion Battery Only
8	WEEE Logo
9	Manufacturer



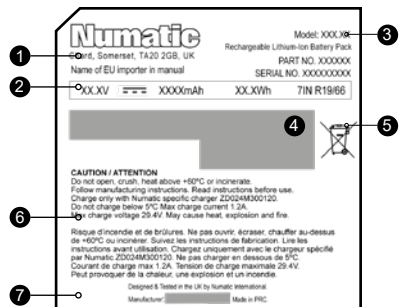
Floor Tool Label



1	Model
2	Weight
3	Voltage / Direct Current / Rated Power
4	Approval Marks
5	Manufacturer

Battery Label

1	Company Name & Address
2	Voltage / Direct Current / Battery Capacity
3	Model
4	Approval Marks
5	WEEE Logo
6	Caution / Attention
7	Manufacturer



Daily

Keep the machine and all parts clean, including hoses and tubes.
 Ensure the filter pod is fitted.
 Regularly examine the charger.
 Check filter pod frequently and renew if required.

Weekly - as daily and:-

Check for any worn or damaged parts and replace immediately.

Batteries

Always recharge the batteries after use.

WEEE (Waste, Electrical and Electronic Equipment)

Accessories and packaging should be sorted for environmentally-friendly recycling.



Only for UK/EU countries.

Do not dispose into household waste.

According to the European Directive 2012/19/EU on waste electrical electronic equipment and its incorporation into national law.

Items that are no longer suitable for use must be separated, collected and sent for recovery in an environmentally-friendly manner.

PPE (Personal protective equipment) that may be required for certain operations.

				
Ear Protection	Safety Footwear	Head Protection	Safety Gloves	
				
Dust / Allergens Protection	Eye Protection	Protective Clothing	Hi-Vis Jacket	
				Caution Wet Floor Sign

NOTE: A risk assessment should be conducted to determine which PPE should be worn.

Failure to rectify the problem or in the event of a breakdown contact your Numatic dealer or the Numatic Technical helpline +44 (0)1460 269268

Information for Dry use Battery Vacuum cleaners

Warning

Read the instruction manual before using the machine.

Operators shall be adequately instructed on the use of these machines, as with all electrical equipment, care and attention must be exercised at all times during use, you must also make certain that routine and preventative maintenance is carried out periodically to ensure safe operation.

Failure to carry out maintenance as necessary, including the replacement of parts to the correct standard could render this equipment unsafe and the manufacturer can accept no responsibility in this respect.

This machine is for DRY USE only.

When charging the appliance make sure that the charging lead is safely secured and the jack is properly inserted into the battery.

Keep hair, loose clothing, fingers and all parts of body away from openings and moving parts.

You must remove the battery from the machine BEFORE cleaning or maintenance and when replacing parts or converting the machine to another function.

This appliance is intended to be assembled, cleaned and maintained by an adult.

This machine is not suitable for the collection of biological hazards, hazardous or explosive dusts.

Contact your local distributor if you require a machine capable of performing these tasks.

This machine is not intended for use by persons (including children) with reduced physical, sensory or mental capabilities, or lack of experience and knowledge.

Keep scent capsules away from children, as they are harmful if swallowed.

Extra care must be taken when cleaning on stairs.

Children should be supervised to ensure that they do not play with the appliance.

This machine is not a toy; children shall not play with this machine.

Caution

This machine must not be stored outside, or used in wet environments, or to collect wet materials.

The vacuum cleaner should be stored in a dry place and is for indoor use only.

You must ensure that the machine is suitable for the material being collected.

Note:

The primary use for this machine is for domestic, as well as commercial settings, for example in homes, hotels, schools, hospitals, factories, shops and offices.

This vacuum cleaner is fitted with a thermal protection device.

If the vacuum cleaner has a blockage, remove the battery and inspect the floor tool, tubes and hose for debris.

If the floor tool, tubes and hose are clear, replace the filter pod.

The vacuum cleaner should be inspected after use for damage.

When moving from one place to another, consider the weight of the machine.

Do

Keep your machine clean including hoses and tubes.

Change the filter pod frequently.

Keep hoses and tubes clear.

Replace any worn or damaged parts immediately.

Use OEM specified Numatic Scent Capsules only as shown in this manual.

Don't

Use to suck up hot ashes or lighted cigarette ends.

Use steam cleaners or pressure washers to clean the machine or use in the rain.

Immerse in water for cleaning.

Attempt machine maintenance or cleaning unless battery has been removed from the machine.

Under any circumstances place foreign objects i.e. air fresheners, air freshener capsules or scented beads or any other object not originally supplied as part of the machine or OEM accessory pack, into the machine.

Doing so can be dangerous and risks damage to the machine and may also invalidate the machine warranty.

NOTE:- It is recommended that a battery is fully charged before first use.

Important Warnings – Charger

Read all these warnings before using the charger.

- **CAUTION!** Charge only Numatic Lithium-Ion batteries, other types of batteries may burst causing personal injury and damage.
- Do not charge damaged batteries.
- Do only charge dry batteries.
- Check the charger cable regularly for any sign of damage. If the charger cable is damaged the charger should be replaced, by an original NUMATIC INTERNATIONAL charger available from the manufacturer or service agent.
- Do not use damaged chargers.
- Protect the charger against moisture and store it in a dry place.
- Do not use the charger if it is wet or handle the charger with wet hands.
- The mains voltage available must correspond to the voltage stated on the rating plate of the charger.
- The no load voltage of the charger is 30 V.
- Do not operate charger in explosive environment.
- Do not carry the charger by holding the charger cord.
- Do not unplug by pulling on cord. To unplug, grasp the charger, not the cord.
- Do not cover the charger whilst charging.
- Do not open the charger. Repairs shall be done only by authorised personnel.

Warning:

The battery included in this product must only be charged by the Numatic Charger supplied with the product under NO circumstances should an alternative non Numatic charger be used as there is risk severe damage and fire could result. Only use genuine Numatic parts.

Instructions for Use – Charging Batteries

The charger is capable of operating at different mains voltages and frequencies without user adjustment. Ensure the charger jack plug is fully inserted into the the battery. (see page 10)

If the charger is damaged or does not charge anymore, do not use the charger and contact your supplier. Make sure charger replacements are a genuine Numatic service part.

Health Hazards (Acute & Chronic).

The chemicals used in the battery are in a sealed container.
Risk of exposure only occurs if the battery is abused or damaged.
Contact of electrolyte and lithium with skin and eyes should be avoided.

Signs & Symptoms of Exposure.

A damaged or leaking battery can cause chemical burns upon contact.
Such situation might only occurred when the battery cell is opened or damaged.

Important Warnings – Batteries

Read all the warnings before using the battery.

This cleaner uses Numatic Lithium-Ion batteries. Used batteries should be disposed of safely and placed in a sealed plastic bag and then handled according to all locally approved precautions and environmental regulations.

- a) Do not dismantle, open or shred batteries.
- b) Do not expose batteries to heat or fire. Avoid storage in direct sunlight.
- c) Do not short-circuit a battery. Do not store batteries haphazardly in a box or drawer where they may short-circuit each other or be short circuited by other metal objects.
- d) Do not remove a battery from its original packaging until required for use.
- e) Do not subject batteries to mechanical shock.
- f) In the event of battery leaking, do not allow the liquid to come in contact with the skin or eyes and avoid inhaling fumes. If contact has been made, wash the affected area with copious amounts of water and seek medical advice.
- g) Do not use any charger other than that specifically provided for use with the appliance.
- h) Do not use any battery which is not designed for use with the appliance.
- i) Use only original NUMATIC batteries, when replacement batteries are required.
- j) Keep batteries clean and dry.
- k) Do not leave a battery on prolonged charge when not in use.
- l) After extended periods of storage, it may be necessary to charge and discharge the batteries several times to obtain maximum performance.
- m) Retain the original appliance literature for future reference.
- n) When possible, remove the battery from the equipment when not in use.
- o) Do not immerse in any liquid.
- p) Do not charge damaged batteries.
- q) If the batteries are leaking, return batteries to a disposal plant or a similar local facility.
- r) The batteries must be removed from the appliance before the appliance is scrapped.
- s) If the appliance is to be stored unused for a long period, the batteries should be removed.

The battery is equipped with electronic thermal protection, refer to the **Temperature and Humidity Range Table** below for recommended operating conditions.

Temperature and Humidity Range Table

Storing	+5 ... +35 °C
Discharge	+5 ... +35 °C
Charge	+5 ... +35 °C
Shipment	-20 ... +60 °C
Humidity	25 - 85% RH no condensation
Long term storage	
Humidity	≤ 50% RH no condensation

In case battery is subject to environmental conditions outside the above parameters user must allow at least 3 hours for battery to acclimatise at room temperature before attempting to operate.

***If the battery is found to be faulty at any time, contact Numatic International,
or Worldwide Lithium-Ion Battery Technical Helpline +1-703-741-5970***

Care and Disposal of Li Ion Batteries

DEFECTIVE BATTERIES

ATTENTION



Please follow all safety guidelines set out.
A defective battery should not be stored inside buildings on any account.



- If a customer wishes to return a battery to a supplier, then collection of the battery must be arranged by the supplier, however, **Faulty batteries must not be returned through the postal system or by courier.**
- If on return to a supplier, OR at a customer base, a suspected defective battery shows any signs of impact damage, distortion, blistering, loose parts or leakage then on no account should it be offered for condition checking. It must be considered defective and the procedures described followed.
- If, on return to a supplier, OR at a customer base, a suspected defective battery, that shows no signs of impact damage, distortion, blistering, loose parts or leakage, may be offered for condition checking with an appropriate battery condition checking device operated by a competent person.
- If on checking the battery is found to be operational then a single recharge cycle under observation can be attempted with the appropriate Numatic charger.
- If the battery recharges correctly on this single recharge cycle then it can be deemed a good battery.
- If the battery fails to recharge correctly on this single recharge cycle then it must be deemed a defective battery and the procedures followed.
- On no account must any further attempt to recharge be made.
- A defective battery should not be stored inside buildings on any account.
- The defective discharged battery can then be stored in a locked battery waste container which should be plastic or plastic lined and placed away from buildings and clearly signed as a defective battery container with appropriate warnings.

The battery is to be disposed of safely and in accordance with all locally approved precautions and environmental regulations.

First Aid Measures

Skin Exposure:

If in contact with the internal materials of battery, remove the contaminated clothing, shoes and socks, immediately flush with plenty of water for at least 20 minutes. Seek medical attention.

Eye Exposure:

If in contact with the internal materials of battery, lift your eyelids immediately and rinse them with running water for more than 20 minutes. Seek medical attention.

Inhalation Exposure:

If the internal materials of the battery are inhaled, seek fresh air. If breathing is difficult, seek medical attention immediately.

Oral Exposure:

Do not induce vomiting if the internal materials of battery are swallowed. Seek medical attention immediately.

Note:

Inhalation, skin contact and eye contact are possible if the battery is damaged.

Exposure to internal contents, the corrosive fumes will be very irritating to skin, eyes and mucous membranes. Overexposure can cause symptoms of non-fibroid lung injury and membrane irritation.

Henry Quick Numatic International WARRANTY

Numatic International Limited grants to the original purchaser a warranty on the terms and for the period set out below:

Domestic Residential Use.....2 years

Note:

This warranty expressly excludes consumable parts that are considered replaceable from time to time during the normal working life of the machine.

Using non Henry or Numatic Pods can be detrimental to both machine performance and life and may invalidate the Warranty.

Failure to follow the relevant equipment Instruction Manual and Battery Leaflet or use the correct Numatic or Henry charger will void your warranty.

- A. The warranty period commences from the date the goods are purchased.
- B. All warranty claims must be processed through the Dealer from whom the equipment was purchased. The Dealer will co-operate with the purchaser throughout the warranty claims procedure and will arrange and necessary repairs using genuine Numatic parts.
- C. If the original Dealer is no longer able to fulfil his obligations please contact Numatic International Limited with full details of the claim and proof of purchase so that this may be processed without delay.
- D. Any warranty claim can only relate to the specific part that is proven to be at fault and for which a replacement will be supplied but cannot be extended to constitute a claim against the complete machine.
- E. Numatic International will supply the Dealer with any warranty parts required, subject to the claim being validated, after return of the faulty items in accordance with Numatic International Limited's General Conditions of Sale.
- F. Claims will not be accepted if they are the result of fair wear and tear, misuse or abuse of any kind, or if they arise from failure to operate the equipment in accordance with its Instruction Manual and/or Battery Leaflet.
- G. No replacement will be given unless the appropriate evidence of the validity of the claim has been provided to the satisfaction of Numatic International Limited.
- H. Numatic International Limited reserves the right to charge for any unnecessary work carried out as a result of an invalid claim.
- I. No variation to this warranty may be made or implied by any member of Numatic International Limited or its Dealers unless such variation is in writing and properly authorised by the Company.

Numatic International Limited, Chard, Somerset, TA20 2GB

Telephone 01460 68600 Fax: 01460 68458

© Numatic International Limited



numatic.com

Numatic International Limited (Head Office)

Chard, Somerset TA20 2GB, UNITED KINGDOM

Tel: 01460 68600 numatic.com

Numatic International GmbH

Fränkische Straße 15-19, 30455 Hannover, DEUTSCHLAND

Tel: +49 (0) 511 984 2160 numatic.de

Numatic International Denmark

Fränkische Straße 15-19, 30455 Hannover, DEUTSCHLAND

Tel: +45 (0) 316 40808 numatic-online.dk

Numatic International S.A.S

13/17 rue du Valengelier, EAE la Tuilerie, 77500 Chelles, FRANCE

Tel: +33 (0) 164 726 161 numatic.fr

Numatic International BV

Vennootsweg 15, 2404 CG, Alphen aan den Rijn, NEDERLAND

Tel: +31 (0) 172 467 999 numatic.nl

Numatic International Schweiz AG.

Sihlbruggstrasse 3A, 6340 Baar, SCHWEIZ

Tel: +41 (0) 41 768 0760 numatic.ch

Numatic International (PTY) Ltd.

Cnr. 16th & Pharmaceutical Road, Randjes Park, Midrand 1685, SOUTH AFRICA

Tel: +27 (0) 861 686 284 numatic.co.za

Numatic International ULDA

Rua Francisco da Silva Duarte, nº79,

4475-269 Santa Maria de Avioso, Castelo da Maia, PORTUGAL

Tel: +351 220 047 700 numatic.pt

NUMATIC INTERNATIONAL SPAIN, S.L.U.

Av. Baix Llobregat, 5-7, Oficina bajos 1 (Parc Negocis Mas Blau II),

08820 El Prat de Llobregat (Barcelona) SPAIN

Tel: +34 93 647 22 22 numatic.es

Numatic International Italy S.R.L

Via Luigi Galvani, 2, Z.I. Talponedo, 33080 Porcia (PN), ITALY

Tel: +39 (0) 434 046 211 numatic.it

Specification subject to change without prior notice
numatic.com © Numatic International Limited