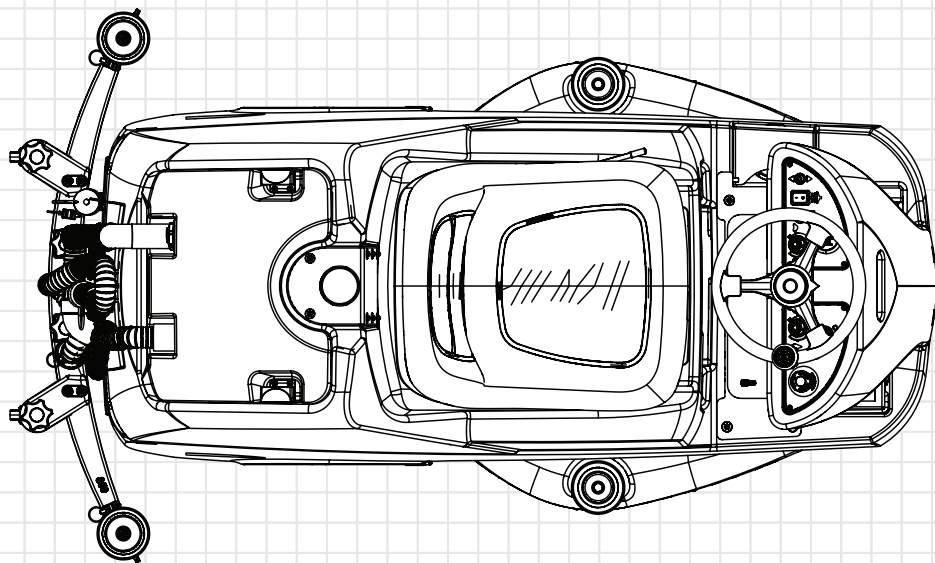
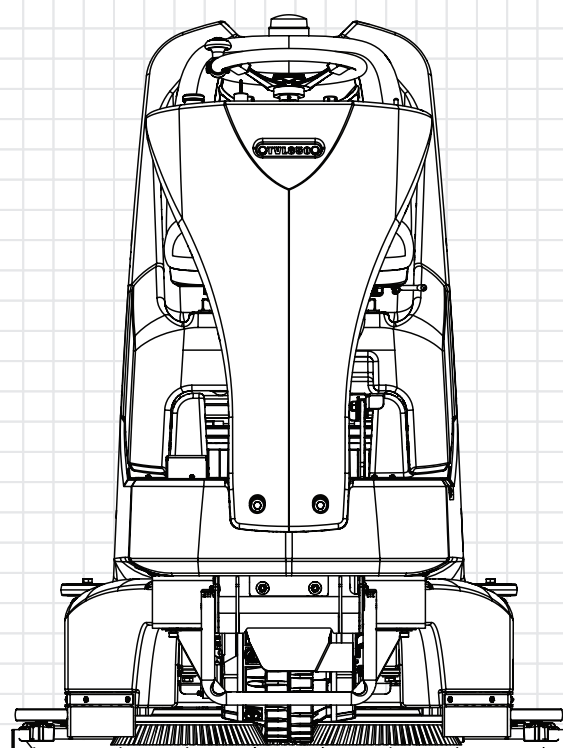
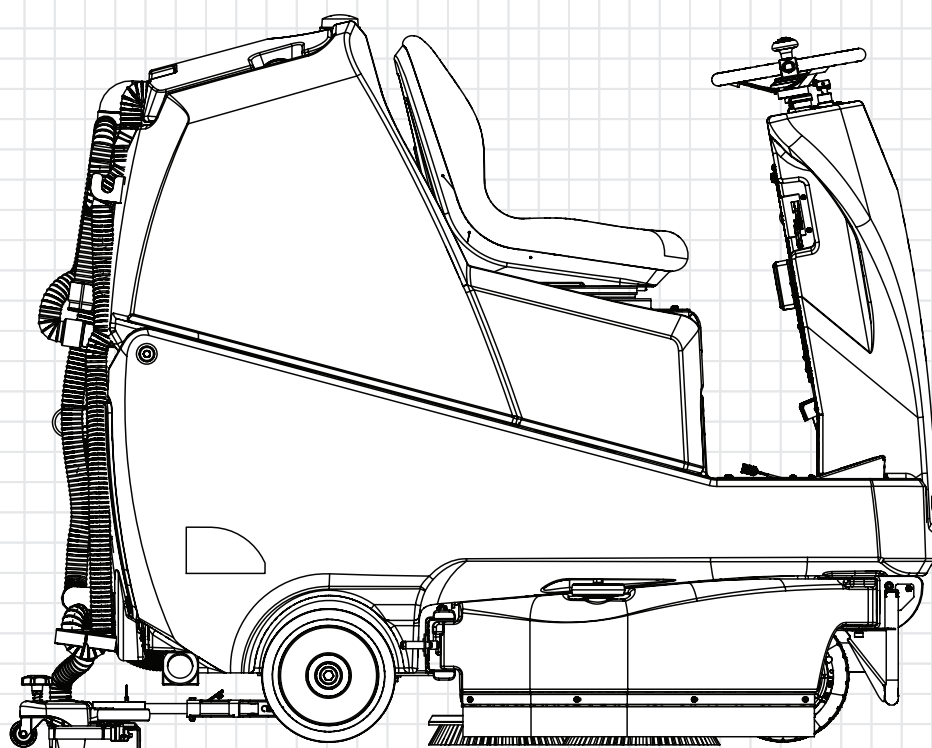


TTV678/400 Chargerless



Service Engineer Exploded Drawings



DISCLAIMER:

These drawings are for part order reference only and intended for service engineers use.

The installation of Genuine Numatic spare parts should only be executed by Certified Numatic service engineers who specialised and familiar with all relevant safety regulations.

Numatic International Ltd do not accept responsibility or liability for any loss or damage to property or person if repairs or servicing of products are carried out by non-certified persons.

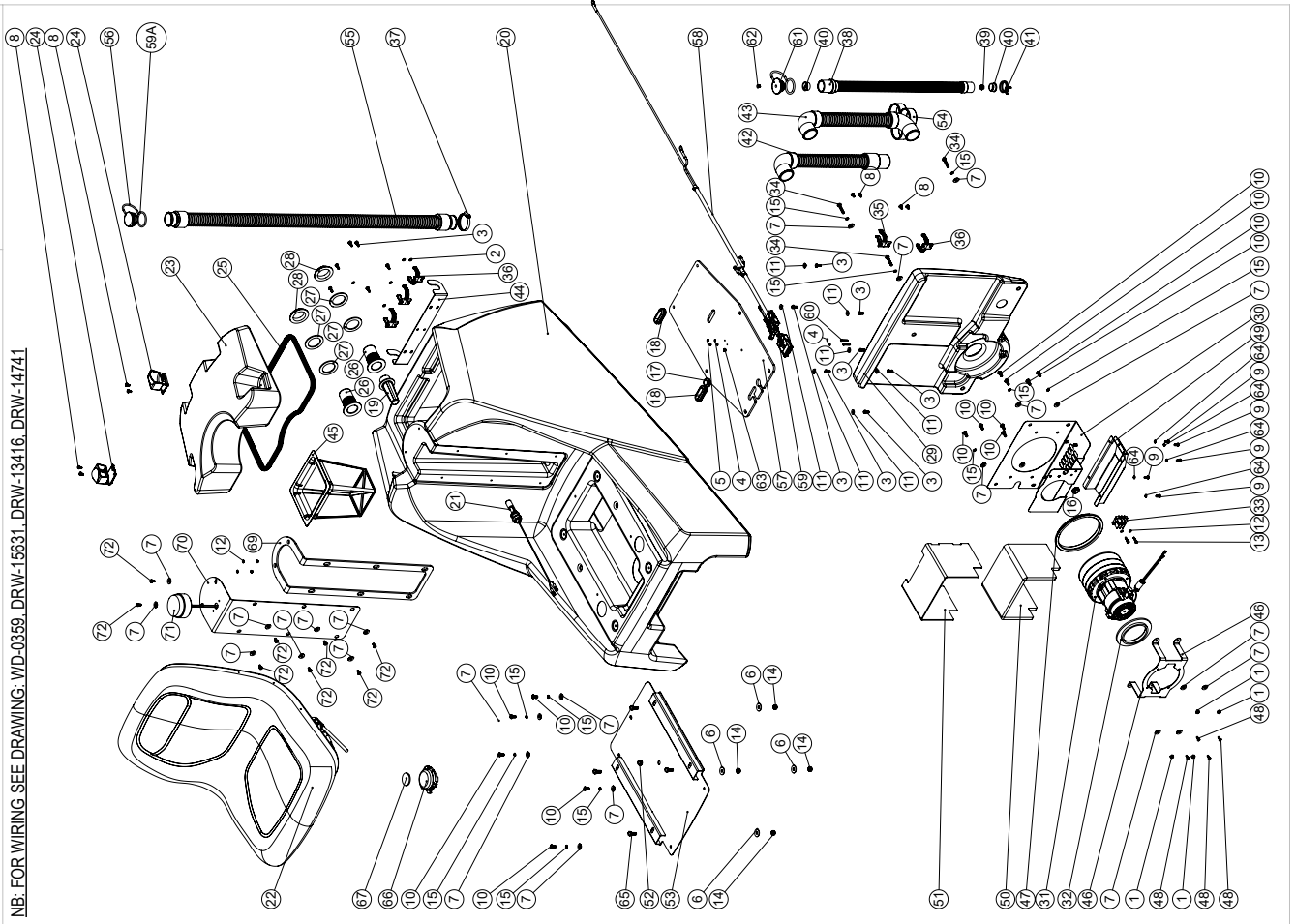
Specifications and parts are subject to change without notice.

Numatic International Spare Parts

Model No: TT678/400 CHARGERLESS TOP TANK / LIGHT / VAC POD & HOSE ASSEMBLY EXPLODED DRAWING

NB: FOR WIRING SEE DRAWING: WD-0359. DRW:15631. DRW:13416. DRW:14741

905590
DRAWING: DRW-24949 ISSA14
12/03/2020



Numatic International Spare Parts

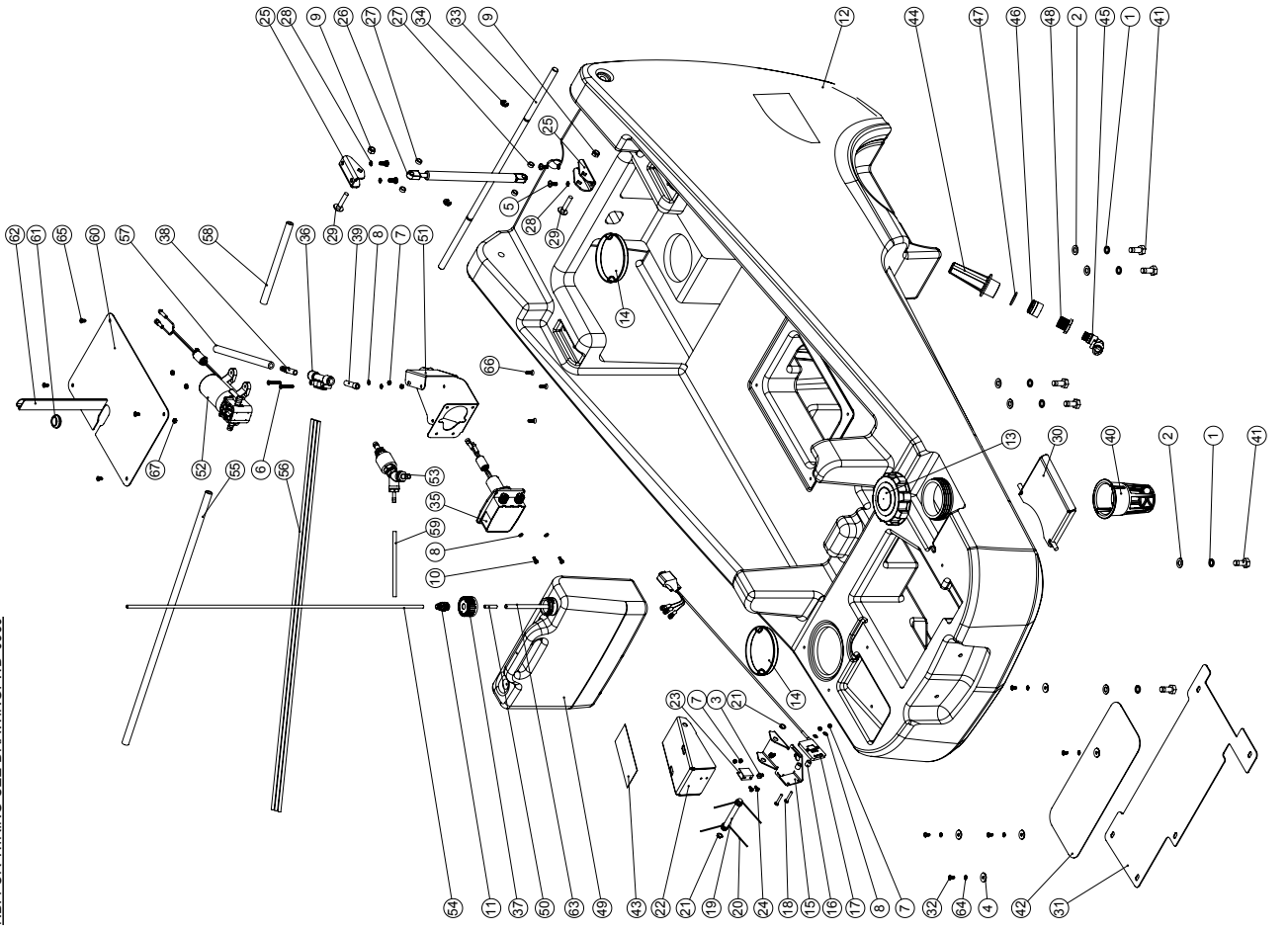
Model No: TT678/400 CHARGERLESS TOP TANK / LIGHT / VAC POD & HOSE ASSEMBLY EXPLODED DRAWING

ITEM	PART NO.	DESCRIPTION	COMMENTS	QTY.
1	219642	M6 STAINLESS STEEL NYLON INSERT NUT		4
2	219355	M5 FORM A STAINLESS STEEL WASHER		6
3	291132	M5 X 16MM LONG STAINLESS STEEL POZI PAN SEMS SCREW		13
4	219501	M3 FORM A STAINLESS STEEL WASHER		4
5	291154	M3 NYLON INSERT NUT STAINLESS STEEL		2
6	219716	M8 FORM G STAINLESS STEEL WASHER		4
7	219647	M6 FORM G STAINLESS STEEL WASHER		24
8	291135	M5 X 10MM LONG STAINLESS STEEL POZI PAN SEMS SCREW		8
9	219740	M5 X 12MM LONG STAINLESS STEEL POZI PAN SCREW		5
10	219646	M6 X 16MM LONG POZI PAN STAINLESS STEEL SCREW		13
11	219644	M5 FORM G STAINLESS STEEL WASHER		7
12	219688	M4 FORM A STAINLESS STEEL WASHER		4
13	219686	M4 X 20MM LONG STAINLESS STEEL POZI PAN MACHINE SCREW		2
14	219639	M8 STAINLESS STEEL NYLON INSERT NUT		4
15	291060	WASHER M6 SHAKPROOF STAINLESS STEEL		12
16	219631	19MM GROMMET		1
17	208143	20MM GROMMET X 6MM PANEL THICKNESS		1
18	N/A	38MM GROMMET X 6MM PANEL THICKNESS		2
19	206265	17/8 345 BARREL FILTER		1
20	237337	TTV TOP TANK MOULDING (GRAPHITE)	BLUE VERSION 229837	1
21	206944	FLOAT SWITCH		1
22	910522	MILSCO BACK SEAT XB 180		1
23	208163	OPERATOR PRESANCE SWITCH	NOT SHOWN SEPARATELY	1
24	237336	TTV SEPARATOR MOULDING (GRAPHITE)	BLUE VERSION 229836	1
25	902919	CLIP MOULDING (RED)	GRAPHITE VERSION 229494	2
26	391209	1225MM LONG SEALING STRIP		2
27	237018	38MM DRAIN HOSE CONNECTOR		2
28	219310	RUBBER WASHER		4
29	206116	BLACK NUT		2
30	237021	VARIO 3 STAGE BACK DOOR MOULDING		1
31	303880	NUTSERIED 3 STAGE VAC MOTOR & TERMINAL ASSEMBLY		1
32	202008	MOTOR CAP GASKET		1
33	220114	2 WAY TERMINAL BLOCK		1
34	219643	M6 X 55MM LONG STAINLESS STEEL POZI PAN SCREW		3
35	901916	28mm HOSE CLIP		1
36	237754	35-38MM HOSE CLIP		4
37	219919	32MM-50MM STAINLESS STEEL HOSE CLIP		1
38	213025	DUMP HOSE		1
39	904109	FLOAT MOULDING		1
40	904108	FLOAT STOP MOULDING		2
41	902133	SPRING WIRE CLAMP (DNAC-X8010356)		1
42	213059	SUCTION HOSE 1.480MM X Ø38MM		1
43	213060	VAC HOSE 1060MM X Ø38MM		1
44	329904	RIDE-ON SQUEEGEE STORAGE BRACKET		1
45	206439	TANK FILTER		1
46	329987	MOTOR BRACKET		1
47	237032	>TPE- 3 STAGE MOTOR GASKET		1
48	219569	NØ8 X 1/2 INCH LONG POZI PAN STAINLESS STEEL PLASTIC SCREW		4
49	329989	SILENCER BOX		1
50	N/A	SILENCER FOAM		1
51	322019	SILENCER SHROUD		1
52	219680	GROMMET		1
53	304460	SEAT PLATE WELD ASSEMBLY PAINT SILVER GREY		1
54	237718	HOSE GUIDE		1
55	908990	DUMP HOSE 1100MM X Ø38MM		1
56	900901	HOSE CLOSURE (35MM-38MM)		1
57	901788	TOP TANK COVER (CHARGERLESS)		1
58	901440	LOOM ASSEMBLY-4CRT		1
59	323177	LOOM ASSEMBLY - 1 CIRCUIT - CHARGER/INHIBIT LEAD		1
60	904052	M3 X 25MM LONG POZI PAN SCREW STAINLESS STEEL		2
61	903341	32MM HOSE CAP RED (C/W 8MM HOLE)		1
62	904403	BARBED RIVET BLACK		1
63	291035	M5 NYLON INSERT NUT (STAINLESS STEEL)		1
64	219016	M8 X 20MM LONG HEXAGONAL STAINLESS STEEL BOLT		5
65	219717	M5 SHAKPROOF WASHER		4
66	N/A	OPERATOR PRESANCE SEAT SWITCH	REFERENCE	1
67	910520	SEAT SENSOR FOAM PAD		1
68	219687	M4 STAINLESS STEEL NYLON INSERT NUT		2
69	908117	BEACON BRACKET & COVER GASKET		1
70	908817	BEACON BRACKET & COVER (TRG) M/S		1
71	208867	FLASHING XENON BEACON X80 SERIES		1
72	291131	M5 X 12MM LONG STAINLESS STEEL POZI PAN SEMS SCREW		8

Numatic International Spare Parts

Model No: TT678400 BOTTOM TANK / PUMP / PEDAL ASSEMBLY

Internal Code: 905580
 DRAWING: DRW-24927 ISSA06
 PRO 16/10/2017



Numatic International Spare Parts

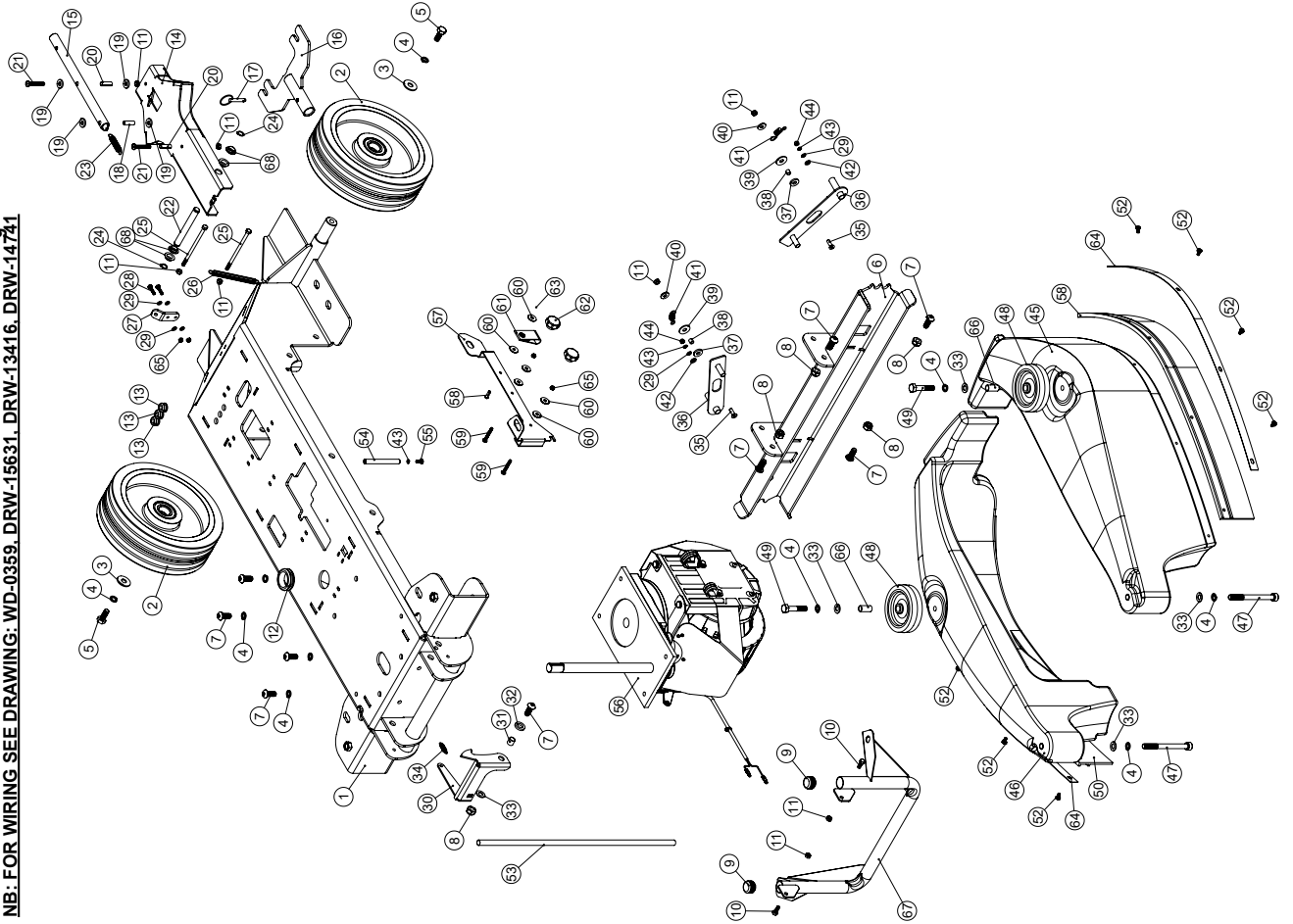
Model No: TT678400 BOTTOM TANK / PUMP / PEDAL ASSEMBLY

EXPLODED DRAWING

ITEM	PART NO.	DESCRIPTION	COMMENTS	QTY.
1	219899	M10 SINGLE COIL STAINLESS STEEL WASHER		6
2	219903	M10 FORM A STAINLESS STEEL WASHER		6
3	291135	M5 X 10MM LONG STAINLESS STEEL POZI PAN SEM6 SCREW		2
4	291118	M5 STAINLESS STEEL WASHER 19MM OD		5
5	219446	M6 X 16MM LONG POZI PAN STAINLESS STEEL SCREW		4
6	219913	M4 X 30MM LONG POZI PAN STAINLESS STEEL SCREW		2
7	219687	M4 STAINLESS STEEL NYLON INSERT NUT		8
8	219468	M4 FORM A STAINLESS STEEL WASHER		6
9	219639	M8 STAINLESS STEEL NYLON INSERT NUT		2
10	219890	M4 X 12MM LONG POZI PAN STAINLESS STEEL SCREW		2
11	208032	4MM BULKHEAD CONNECTOR		1
12	229538	ITV BOTTOM TANK MOULDING		1
13	904198	FILLER CAP RED	BLACK VERSION 208077	1
14	219452	100MM DIAMETER HOLE PLUG		2
15	329841	ACCELERATOR HINGE PLATE		1
16	219574	NYLON SPACER		2
17	208905	ACCELERATOR SENSOR		1
18	291165	M4 X 25MM LONG POZI SCREW STAINLESS STEEL		1
19	208046	CIRCLIP BAR		2
20	208047	TORSION SPRING (LEFT HAND)		2
21	905550	10MM EXTERNAL CIRCLIP ST/ST		2
22	329540	ACCELERATOR PEDAL COVER		1
23	404051	GILL SENSOR ACTIVATOR PLATE (PAINTED ANTHRACITE GREY)		1
24	219697	M4 X 8MM LONG POZI PAN STAINLESS STEEL SCREW		2
25	329455	GAS STRUT BRACKET - CARRIAGE BOLT		2
26	208042	GAS STRUT		1
27	291121	NYLON SPACER I/D 8.2MM X O/D 12MM X 5MM LG		4
28	291060	WASHER M6 SHAKEPROOF STAINLESS STEEL		4
29	291120	M8 X 40 CARRIAGE BOLT S/S		2
30	303822	FILLER CAP COVER WELDED ASSEMBLY		1
31	329539	FLOOR PLATE		1
32	291004	M5 X 10MM LONG STAINLESS STEEL BUTTON HEAD SCREW		5
33	208071	TOP TANK PIVOT TUBE		1
34	208072	PLASTIC FIXING RING		2
35	321663	DIETILENT PUMP & SOLDERED LEAD ASSEMBLY		1
36	208031	3-WAY MANIFOLD 10MM DIAMETER INPUT / 6MM DIAMETER OUTPUT		1
37	303827	PROCESSED BLUE CAP		1
38	208035	10MM X 8MM BARBED CONNECTOR		1
39	208034	10MM BLANKING PLUG		1
40	904197	BOTTOM TANK FILLING FILTER RED	GREY VERSION 208790	1
41	291141	M10 X 25MM LG HEX HEAD SCREW STAINLESS STEEL C/W THREADLOCK		6
42	208998	ANTI-SLIP TREAD PAD (SELF ADHESIVE)		1
43	903855	ACCELERATOR GRIP PAD (RED)	BLACK VERSION 391222	1
44	206265	IT/B 345 BARREL FILTER		1
45	206799	3/8 INCH BSP MALES SWIVEL ELBOW X 12MM TUBE		1
46	206274	FILTER CONNECTOR		1
47	219626	25MM I/D X 2.5MM SECTION O RING		1
48	206275	TAP CONNECTOR FITTING		1
49	303800	PROCESSED DOSING TANK MOULDING		1
50	391219	SUPER FLEXIBLE NYLON TUBE I/D 4.0MM X O/D 4.0MM CUT TO LENGTH (30MM)		1
51	329891	RIDE-ON PUMP ASSEMBLY BRACKET (SECO PUMP)		1
52	321406	WATER PUMP & LEAD ASSEMBLY		1
53	208118	NONE RETURN VALVE ASSEMBLY		1
54	391218	SUPER FLEXIBLE NYLON TUBE I/D 4.0MM X O/D 4.0MM CUT TO LENGTH (1.500MM)		1
55	391216	SILICON TUBE 600MM LONG X 8MM I/D X 3.2MM WALL SECTION		1
56	391220	SUPER FLEXIBLE NYLON TUBE I/D 4.0MM X O/D 6.0MM CUT TO LENGTH (820MM)		3
57	391215	SILICON TUBE 200MM LONG X 8MM I/D X 3.2MM WALL SECTION		1
58	391214	SILICON TUBE 190MM LONG X 8MM I/D X 3.2MM WALL SECTION		1
59	391217	SUPER FLEXIBLE NYLON TUBE I/D 4.0MM X O/D 4.0MM CUT TO LENGTH (1.350MM)		1
60	404035	RIDE ON PUMP COVER PLATE (PAINTED GREY)		1
61	219934	GROMMET		1
62	391228	210MM LONG SELF ADHESIVE CABLE DUCTING		1
63	227998	260MM LONG SOLUTION TUBE		1
64	291084	WASHER M5 SHAKEPROOF STAINLESS STEEL		5
65	291008	M5 X 10MM LONG POZI PAN COUNTERSINK STAINLESS STEEL SCREW		4
66	219572	M5 X 16MM LONG POZI PAN COUNTERSINK SCREW (STAINLESS STEEL)		3
67	291035	M5 NYLON INSERT NUT (STAINLESS STEEL)		3

NB: FOR WIRING SEE DRAWING: WD-0359

Numatic International Spare Parts
Model No: TT678 & TRO650 CHASSIS / DRIVE MOTOR ASSEMBLY EXPLODED
NB: FOR WIRING SEE DRAWING: WD-0359_DRW-15631_DRW-13416_DRW-14781



Numatic International Spare Parts
Model No: TT678 & TRO650 CHASSIS / DRIVE MOTOR ASSEMBLY EXPLODED DRAWING

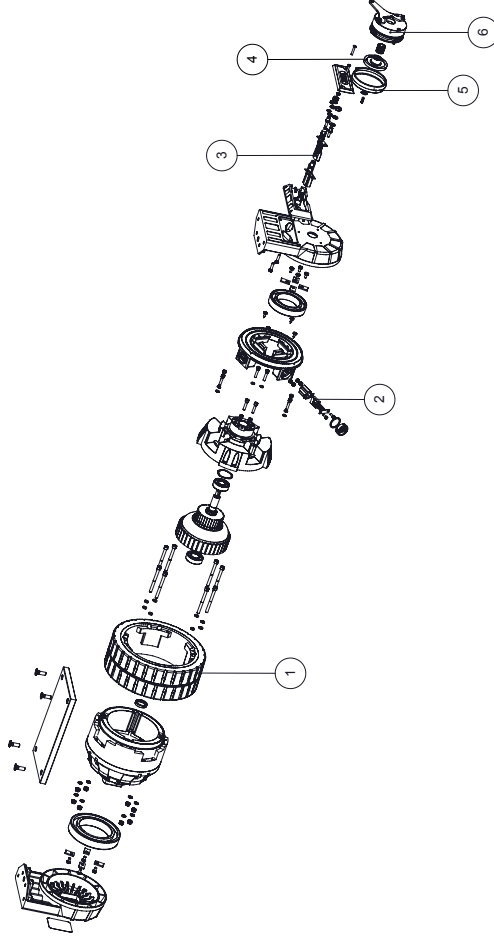
POS	ITEM NO.	DESCRIPTION	COMMENTS	QTY.
1	303784	CHASSIS WELDED ASSEMBLY (PAINTED GREY)		1
2	206939	25.4MM DIAMETER WHEEL		2
3	291124	M10 PENNY WASHER STAINLESS STEEL		2
4	219899	M10 SINGLE COIL STAINLESS STEEL WASHER		10
5	219909	M10 X 25MM LONG HEXAGONAL STAINLESS STEEL SCREW		2
6	901567	SIDE POD SLIDE PLATE ASSEMBLY ZINC PLATED	TTV678	
7	304457	TRO SIDE POD SLIDE PLATE ASSEMBLY ZINC PLATED	TRO650	
8	219910	M10 X 25MM LONG SOCKET BUTTON HEAD STAINLESS STEEL SCREW		
9	219897	M10 STAINLESS STEEL NYLON INSERT NUT		
10	20637V	25.4MM TUBE END STOP		
11	219719	M6 X 16MM LONG HEXAGONAL STAINLESS STEEL HEAD BOLT		
12	208144	M6 STAINLESS STEEL NYLON INSERT NUT		
13	229025	38MM GROMMET X 6MM PANEL THICKNESS		
14	303797	STANDARD GROMMET		
15	303799	TOP/BOTTOM LIFTING PLATE WELDED ASSEMBLY		
16	303795	PIVOT TUBE WELDED ASSEMBLY		
17	206953	QUICK RELEASE TUBE/PLATE WELDED ASSEMBLY		
18	206963	DEFENT PINS		
19	206964	VERTICAL NYLON SPACER		
20	206954	SLIDE NYLON SPACER		
21	902522	SPIRO SPACER		
22	204965	M6 X 40MM LONG SOCKET BUTTON HEAD STAINLESS STEEL BOLT		
23	206955	PIVOT AXLE		
24	905551	RETURN SPRING		
25	905559	12MM EXTERNAL CIRCLIP ST/ST		
26	20695V	M6 X 110MM LONG HEXAGONAL HEAD BOLT ST/ST		
27	404195	SPRING		
28	291029	REAR CABLE PLATE PAINTED ANTHRACITE GREY		
29	219355	M5.20MM LG-HEX-SCREW S/S		
30	329849	M5 FORM A STAINLESS STEEL WASHER		
31	303810	BRUSH DECK FOOT PEDAL LATCH		
32	229346	12.7MM DIAMETER X 18G X 12.5MM LONG STAINLESS STEEL TUBE		
33	219903	SPACER		
34	208019	M10 FORM A STAINLESS STEEL WASHER		
35	908212	BRUSH PEDAL LATCH SPRING		
36	303813	M6 X 20MM LONG COUNTERSUNK SOCKET SCREW STAINLESS STEEL		
37	304458	SIDE POD ADJUSTER BRACKET WELDED ASSEMBLY	TTV678	
38	208475	TRO RH SIDE POD ADJUSTER BRACKET WELD ASSEMBLY	TRO650	
39	219716	TRO LH SIDE POD ADJUSTER BRACKET WELD ASSEMBLY	TRO650	
40	219647	M8 PLASTIC WASHER		
41	208079	8MM SPACER		
42	219870	M6 FORM G STAINLESS STEEL WASHER		
43	219016	M6 FORM G STAINLESS STEEL WASHER		
44	219645	M6 FORM A WASHER STAINLESS STEEL		
45	N/A	M5 SHAKEPROOF WASHER		
46	N/A	M5 STAINLESS STEEL DOIME NUT		
47	904944	LEFT HAND SIDE POD Moulding		
48	-	RIGHT HAND SIDE POD Moulding		
49	905557	M10 X 110 SOCKET CAP SCREW STAINLESS STEEL		
50	206947	100MM WHEEL (MODIFIED)		
51	291135	M10 X 50MM LONG HEX HEAD BOLT ST/ST		
52	208091	RIDE-ON SPLASH SKIRT		
53	208091	M5 X 10MM LONG STAINLESS STEEL POZI PAN SEMS SCREW		
54	208091	PB 15MM X 500MM LONG / SEALED ENDS / BLACK POLYESTER BRAIDING		
55	219740	87MM LONG ALUMINIUM SPACER		
56	N/A	M5 X 12MM LONG STAINLESS STEEL POZI PAN SCREW		
57	904918	VARIO DRIVE WHEEL ASSEMBLY	SEE DRW-24377	
58	904922	POWER PLUG BRACKET		
59	291118	CLEVIS PIN 3/16 x 5/8 STAINLESS STEEL		
60	291118	M5 STAINLESS STEEL POZI PAN STAINLESS STEEL SCREW		
61	N/A	M5 X 35MM LONG POZI PAN STAINLESS STEEL SCREW		
62	208455	M5 STAINLESS STEEL WASHER 19MM OD		
63	904923	RETAINING STRAP		
64	329843	T18 1840 SQUEEGEE KNOB		
65	291035	MINI R-CLIP STAINLESS STEEL		
66	391224	VARIO SPLASH SKIRT FIXING STRIP		
67	908759	M5 NYLON INSERT NUT (STAINLESS STEEL)		
68	908803	1/2 INCH DIA X 18G S/S TUBE (0.026)		
		RUMPER WELD ASSEMBLY (TRG) PAINTED SILVER		
		IGUS BEARING (GPM-1315-06)		

Numatic International Spare Parts

Model No: TTV678 & TRO650 Motor Wheel & Brake Assembly

NB: FOR WIRING SEE DRAWING: WD-0359, DRW-15631, DRW-13416, DRW-14741

234604
DRAWING: EXP-1032 ISS:A03
28/03/2014



Numatic International Spare Parts

Model No: TTV678 & TRO650 Motor Wheel & Brake Assembly

POS:	ITEM NO:	DESCRIPTION:	COMMENTS:
1	208145	WHEEL	
2	208146	ARMATURE BRUSH	
3	208147	MOTOR BRUSH	
4	208148	FRICION DISC	
5	208149	RUBBER GASKET	
6	321506	MODIFIED ELECTRONICALLY RELEASED BRAKE C/W PINION & SCREWS	

Numatic International Spare Parts

Model No: TTV678 & TRO650 MOTOR WHEEL GEARBOX ASSEMBLY

NB: FOR WIRING SEE DRAWING: WD-0359, DRW- 15631, DRW-13416, DRW-14741

234605

DRAWING: EXP-1033 ISS:A05

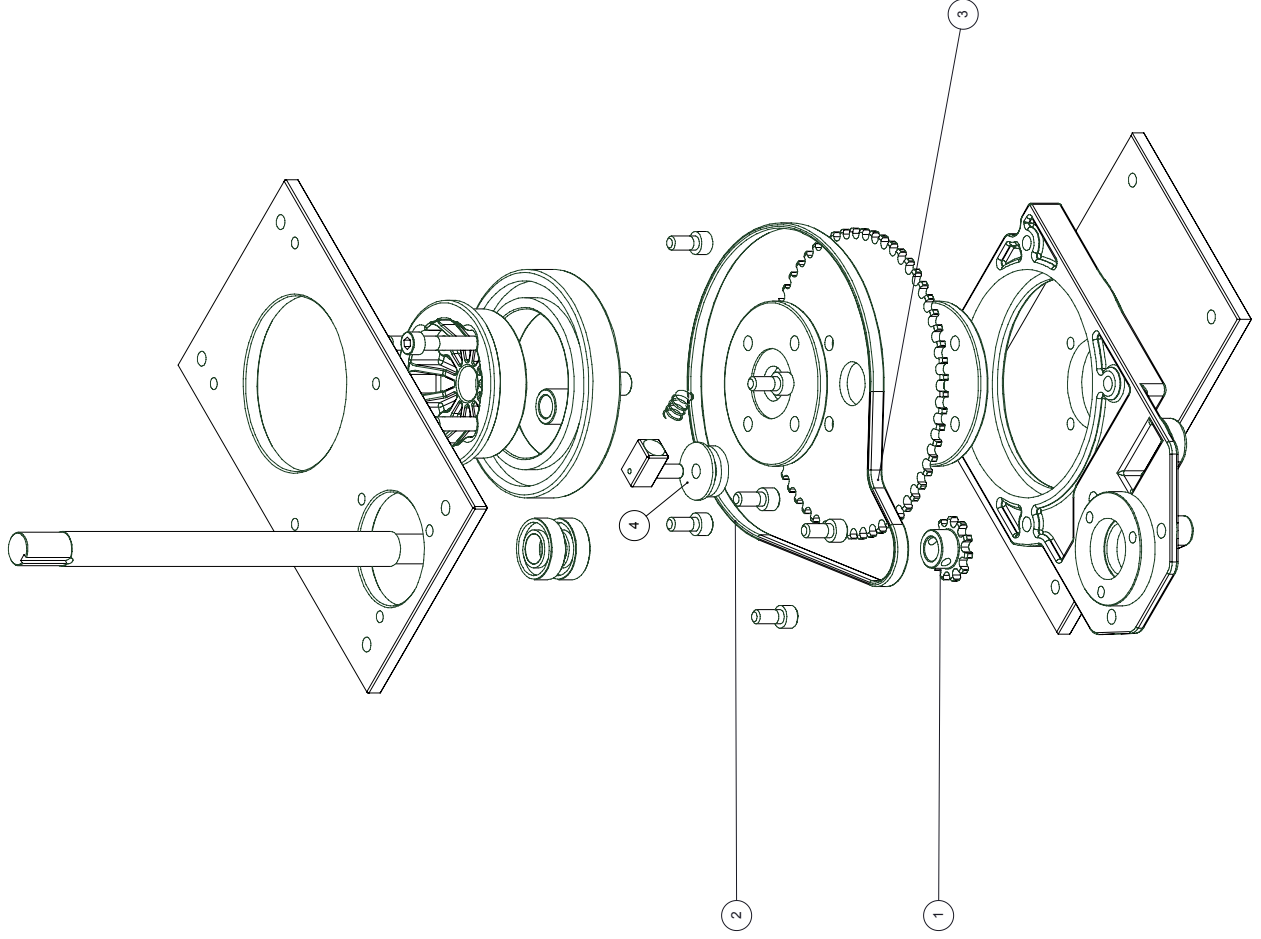
Internal Code:

PRO

Numatic International Spare Parts

Model No: TTV678 & TRO650 MOTOR WHEEL GEARBOX ASSEMBLY EXPLODED DRAWING (EXP-1033)

POS:	ITEM NO:	DESCRIPTION:	COMMENTS:
1	208151	PINION	
2	208152	STEERING CHAIN	
3	208153	STEERING CHAIN MASTER LINK	
4	901617	WHEEL TENSIONER	AVAILABLE SEPERATELY



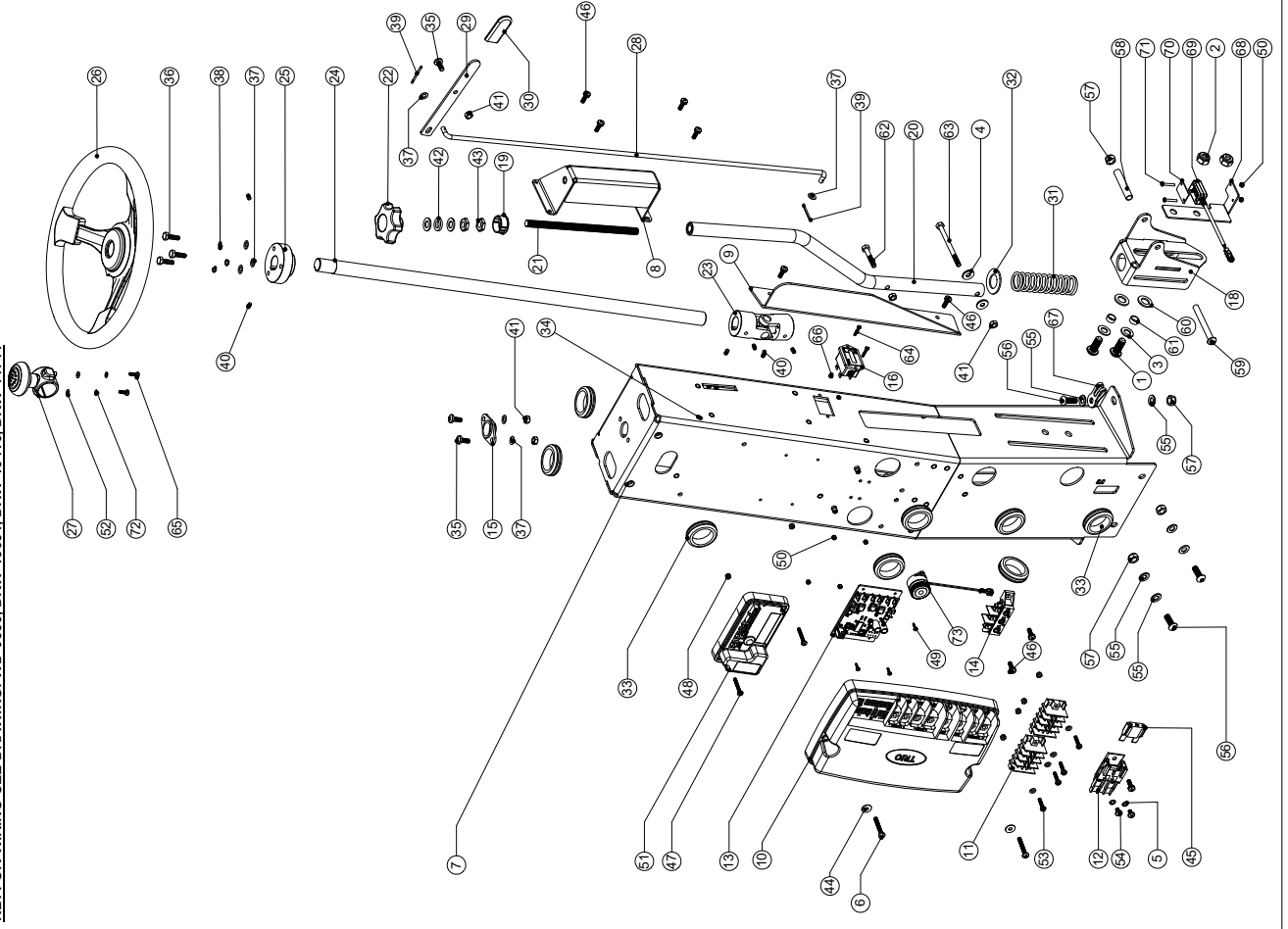
Numatic International Spare Parts

Model No.: TTV678 & TRO650 STEERING COLUMN ASSEMBLY
EXPLODED DRAWING

NB: FOR WIRING SEE DRAWING: WD-0359, DRW-15631, DRW-13416, DRW-14741

905587

DRAWING: DRW-24947 ISSA14
24/08/2022



Numatic International Spare Parts

Model No.: TTV678 & TRO650 STEERING COLUMN ASSEMBLY
EXPLODED DRAWING

ITEM:	PART No.:	Description	QTY:
1	219910	M10 X 25MM LONG SOCKET BUTTON HEAD STAINLESS STEEL SCREW	2
2	219897	M10 STAINLESS STEEL NYLON INSERT NUT	2
3	219903	M10 FORM A STAINLESS STEEL WASHER	2
4	219647	M6 FORM G STAINLESS STEEL WASHER	4
5	219016	M5 SHAKERPROOF WASHER	2
6	219661	M5 X 35MM LONG POZI PAN STAINLESS STEEL SCREW	2
7	303786	STEERING COLUMN WELDED ASSEMBLY (MANUAL VERSION) (PAINTED SILVER GREY)	1
8	329863	BRUSH PRESSURE ADJUSTMENT BRACKET	1
9	329888	STEERING COLUMN SPLASH GAUARD	1
10	208169	PG CONTROLLER (TRO+HD 100) (MK2)	1
11	221095	TERMINAL BLOCK (4 POLE X 6 WAY/TERMINALS)	2
12	230102	FUSE HOLDER RATED AT 60 AMPS	1
13	N/A	DC DRIVE PCB	1
14	206788	TERMINAL BLOCK	1
15	208110	IGUS (R) 2 BOLT PLAIN BEARING 20MM I/D	1
16	208178	HOURS METER	1
17	392355	TRO HOURS METER BLANKING PLATE	1
18	303819	RIDE-ON BRUSH PRESSURE ADJUSTMENT SLIDE	1
19	208021	19MM (3/4 INCH) SNAP BUSHING	1
20	303817	BRUSH PRESSURE ADJUSTMENT TUBE WELD ASSEMBLY	1
21	219969	M10 X 1.5MM X 190MM LONG S/S THREADED BAR	1
22	903281	M10 LOBE KNOB (RED)	1
23	N/A	UNIVERSAL JOINT	1
24	206940	STEERING SHAFT	1
25	206940	RIDE-ON STEERING WHEEL ADAPTOR	1
26	206961	300MM STEERING WHEEL C/W CENTRE CAP	1
27	208104	STEERING WHEEL KNOB	1
28	391195	PEDAL LATCH RELEASE ROD	1
29	329850	RELEASE HANDLE	1
30	904191	50MM LONG DIP MOULDED HANDLE COVER (RED)	1
31	208016	MANUAL BRUSH DECK ADJUSTMENT SPRING	1
32	291162	M20 FORM B STAINLESS STEEL WASHER	1
33	208029	GROMMET (Ø2MM I/D)	8
34	219538	M5 STAINLESS STEEL NUT/INSERT	27
35	219646	M6 X 16MM LONG POZI PAN STAINLESS STEEL SCREW	3
36	219976	M6 X 20MM LONG HEXANGONAL HEAD SET SCREW	3
37	219560	M6 FORM B STAINLESS STEEL WASHER	7
38	219549	M6 SINGLE COIL WASHER	3
39	208030	COTTER PIN (2.4MM X 38.1MM)	2
40	219784	M5 X 8MM LONG BLACK OXIDISED GRUB SCREW	6
41	219983	M6 NYLOC STAINLESS STEEL FULL NUT	5
42	219964	NYLON WASHER (18MM O/D X 10.4MM I/D X 3MM THICK)	1
43	219951	A4 (STAINLESS STEEL) M10 HEX LOCK NUT (HALF NUT)	1
44	219644	M5 FORM G STAINLESS STEEL WASHER	2
45	221091	20 AMP MAXI FUSE	1
46	291132	M5 X 16MM LONG STAINLESS STEEL POZI PAN SEAM SCREW	9
47	219913	M4 X 30MM LONG POZI PAN STAINLESS STEEL SCREW	2
48	219687	M4 STAINLESS STEEL NYLON INSERT NUT	2
49	902534	M3 X 10MM LONG POZI PAN SCREW STAINLESS STEEL	6
50	291154	M3 NYLON INSERT NUT STAINLESS STEEL	4
51	330179	PROGRAMMED 70A MOTOR CONTROLLER (TRO650)	1
52	219688	M4 FORM A STAINLESS STEEL WASHER	6
53	219686	M4 X 20MM LONG STAINLESS STEEL POZI PAN MACHINE SCREW	4
54	902896	M5 X 8 A2 SST PZ PAN HD M/SCREW DIN7985-7	2
55	219578	M6 FORM A STAINLESS STEEL WASHER	8
56	291064	M8 X 22MM LONG SOCKET BOLT STAINLESS STEEL	4
57	219639	M8 STAINLESS STEEL NYLON INSERT NUT	5
58	391199	54MM LONG X 10MM DIAMETER STAINLESS STEEL TUBE	1
59	291142	M8 X 70MM LG SOCKET BUTTON HEAD SCREW STAINLESS STEEL	1
60	219911	PLASTIC WASHER	2
61	303812	12.7MM DIAMETER X 1.8G X 5.5MM LONG STAINLESS STEEL TUBE	2
62	291127	M8 X 35 LONG HEX BOLT STAINLESS STEEL	1
63	219915	M6 X 80MM LONG STAINLESS STEEL HEXAGONAL HEAD BOLT	1
64	219500	M3 X 16MM LONG STAINLESS STEEL SLOT SCREW	2
65	219890	M4 X 12MM LONG POZI PAN STAINLESS STEEL SCREW	2
66	219502	M3 STAINLESS STEEL FULL NUT	2
67	904942	CABLE CLAMP M8x65 (PP)	1
68	907245	REED SWITCH COLUMN BRACKET	1
69	904501	REED SWITCH ASSEMBLY	1
70	906617	REED SWITCH WASHER PLATE	1
71	291155	M3 X 20MM LONG POZI PAN SCREW STAINLESS STEEL	1
72	291145	M4 SHAKERPROOF WASHER STAINLESS STEEL	2
73	915683	24V DC BUZZER & 6.3 X 0.8MM PUSH ON TERMINAL ASSEMBLY	1

Numatic International Spare Parts

Model No: TT678 AND TRO650 FRONT MOULDING / LEVER & PANEL ASSEMBLY

Model No: TT678 AND TRO650 FRONT MOULDING / LEVER & PANEL ASSEMBLY EXPLODED DRAWING

ISS: A11

905586

DRAWING: DRW-24941

17/05/2019

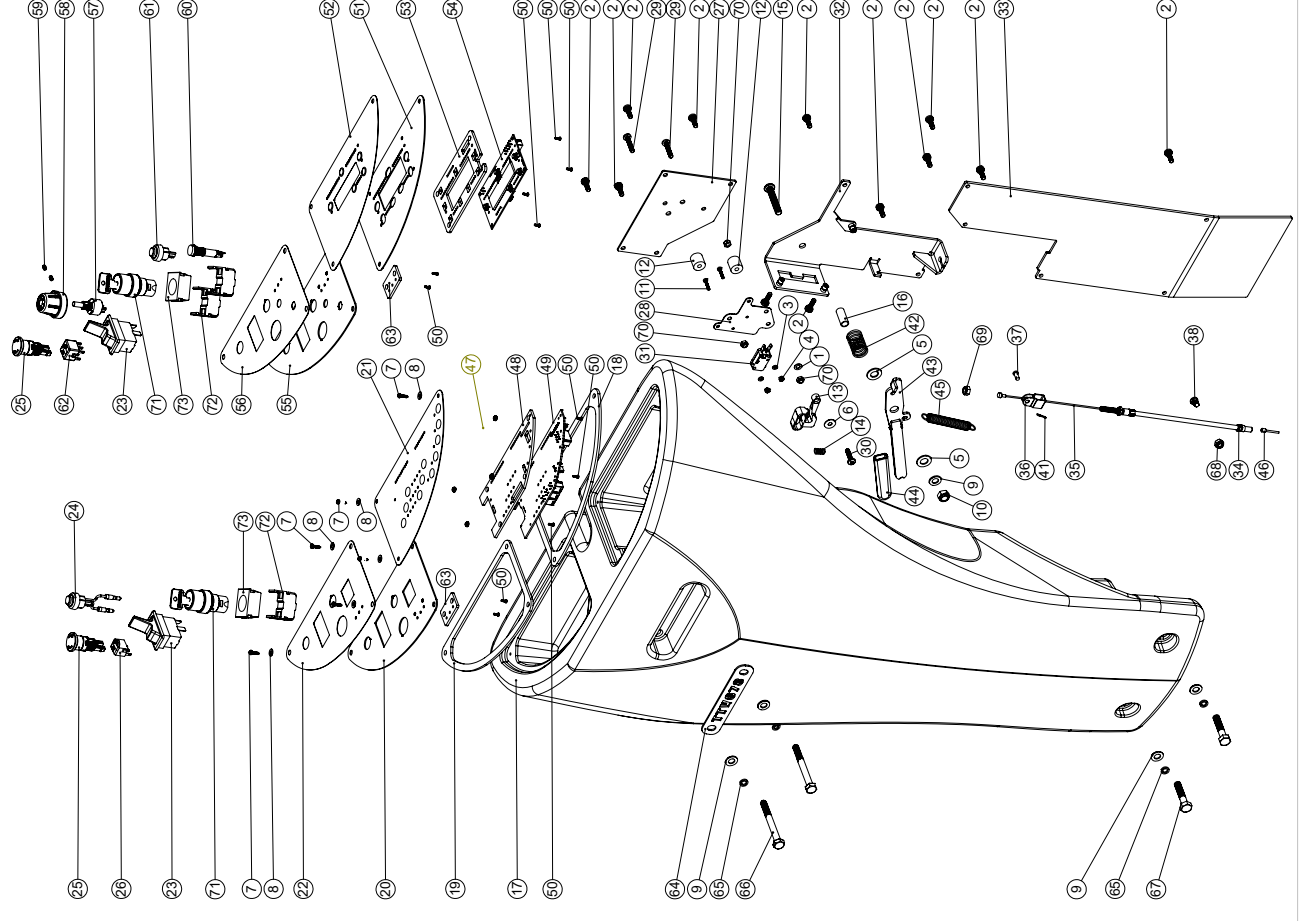
Internal Code:

ISS: A11

DRW-13416, DRW-14741

WD-0359, DRW-15631, DRW-13416, DRW-14741

FOR WIRING SEE DRAWING



Numatic International Spare Parts

Model No: TT678 AND TRO650 FRONT MOULDING / LEVER & PANEL ASSEMBLY

Model No: TT678 AND TRO650 FRONT MOULDING / LEVER & PANEL ASSEMBLY EXPLODED DRAWING

ITEM	PART NO.	DESCRIPTION	COMMENTS	QTY.
1	219355	M5 FORM A STAINLESS STEEL WASHER		1
2	291132	M5 X 16MM LONG STAINLESS STEEL POZI PAN SEMS SCREW		13
3	219501	M3 FORM A STAINLESS STEEL WASHER		2
4	219501	M3 FORM A STAINLESS STEEL WASHER		2
5	219544	M3 NYLON INSERT NUT STAINLESS STEEL		2
6	219544	M3 NYLON INSERT NUT STAINLESS STEEL		2
7	219544	M3 NYLON INSERT NUT STAINLESS STEEL		2
8	219544	M3 NYLON INSERT NUT STAINLESS STEEL		2
9	219544	M3 NYLON INSERT NUT STAINLESS STEEL		2
10	219578	M4 FORM A STAINLESS STEEL WASHER		6
11	219578	M4 FORM A STAINLESS STEEL WASHER		6
12	219578	M4 FORM A STAINLESS STEEL WASHER		6
13	219578	M4 FORM A STAINLESS STEEL WASHER		6
14	219578	M4 FORM A STAINLESS STEEL WASHER		6
15	219578	M4 FORM A STAINLESS STEEL WASHER		6
16	219578	M4 FORM A STAINLESS STEEL WASHER		6
17	219578	M4 FORM A STAINLESS STEEL WASHER		6
18	219578	M4 FORM A STAINLESS STEEL WASHER		6
19	219578	M4 FORM A STAINLESS STEEL WASHER		6
20	219578	M4 FORM A STAINLESS STEEL WASHER		6
21	219578	M4 FORM A STAINLESS STEEL WASHER		6
22	219578	M4 FORM A STAINLESS STEEL WASHER		6
23	219578	M4 FORM A STAINLESS STEEL WASHER		6
24	219578	M4 FORM A STAINLESS STEEL WASHER		6
25	219578	M4 FORM A STAINLESS STEEL WASHER		6
26	219578	M4 FORM A STAINLESS STEEL WASHER		6
27	219578	M4 FORM A STAINLESS STEEL WASHER		6
28	219578	M4 FORM A STAINLESS STEEL WASHER		6
29	219578	M4 FORM A STAINLESS STEEL WASHER		6
30	219578	M4 FORM A STAINLESS STEEL WASHER		6
31	219578	M4 FORM A STAINLESS STEEL WASHER		6
32	219578	M4 FORM A STAINLESS STEEL WASHER		6
33	219578	M4 FORM A STAINLESS STEEL WASHER		6
34	219578	M4 FORM A STAINLESS STEEL WASHER		6
35	219578	M4 FORM A STAINLESS STEEL WASHER		6
36	219578	M4 FORM A STAINLESS STEEL WASHER		6
37	219578	M4 FORM A STAINLESS STEEL WASHER		6
38	219578	M4 FORM A STAINLESS STEEL WASHER		6
39	219578	M4 FORM A STAINLESS STEEL WASHER		6
40	219578	M4 FORM A STAINLESS STEEL WASHER		6
41	219578	M4 FORM A STAINLESS STEEL WASHER		6
42	219578	M4 FORM A STAINLESS STEEL WASHER		6
43	219578	M4 FORM A STAINLESS STEEL WASHER		6
44	219578	M4 FORM A STAINLESS STEEL WASHER		6
45	219578	M4 FORM A STAINLESS STEEL WASHER		6
46	219578	M4 FORM A STAINLESS STEEL WASHER		6
47	219578	M4 FORM A STAINLESS STEEL WASHER		6
48	219578	M4 FORM A STAINLESS STEEL WASHER		6
49	219578	M4 FORM A STAINLESS STEEL WASHER		6
50	219578	M4 FORM A STAINLESS STEEL WASHER		6
51	219578	M4 FORM A STAINLESS STEEL WASHER		6
52	219578	M4 FORM A STAINLESS STEEL WASHER		6
53	219578	M4 FORM A STAINLESS STEEL WASHER		6
54	219578	M4 FORM A STAINLESS STEEL WASHER		6
55	219578	M4 FORM A STAINLESS STEEL WASHER		6
56	219578	M4 FORM A STAINLESS STEEL WASHER		6
57	219578	M4 FORM A STAINLESS STEEL WASHER		6
58	219578	M4 FORM A STAINLESS STEEL WASHER		6
59	219578	M4 FORM A STAINLESS STEEL WASHER		6
60	219578	M4 FORM A STAINLESS STEEL WASHER		6
61	219578	M4 FORM A STAINLESS STEEL WASHER		6
62	219578	M4 FORM A STAINLESS STEEL WASHER		6
63	219578	M4 FORM A STAINLESS STEEL WASHER		6
64	219578	M4 FORM A STAINLESS STEEL WASHER		6
65	219578	M4 FORM A STAINLESS STEEL WASHER		6
66	219578	M4 FORM A STAINLESS STEEL WASHER		6
67	219578	M4 FORM A STAINLESS STEEL WASHER		6
68	219578	M4 FORM A STAINLESS STEEL WASHER		6
69	219578	M4 FORM A STAINLESS STEEL WASHER		6
70	219578	M4 FORM A STAINLESS STEEL WASHER		6
71	219578	M4 FORM A STAINLESS STEEL WASHER		6
72	219578	M4 FORM A STAINLESS STEEL WASHER		6
73	219578	M4 FORM A STAINLESS STEEL WASHER		6
74	219578	M4 FORM A STAINLESS STEEL WASHER		6
75	219578	M4 FORM A STAINLESS STEEL WASHER		6
76	219578	M4 FORM A STAINLESS STEEL WASHER		6
77	219578	M4 FORM A STAINLESS STEEL WASHER		6
78	219578	M4 FORM A STAINLESS STEEL WASHER		6
79	219578	M4 FORM A STAINLESS STEEL WASHER		6
80	219578	M4 FORM A STAINLESS STEEL WASHER		6

Numatic International Spare Parts

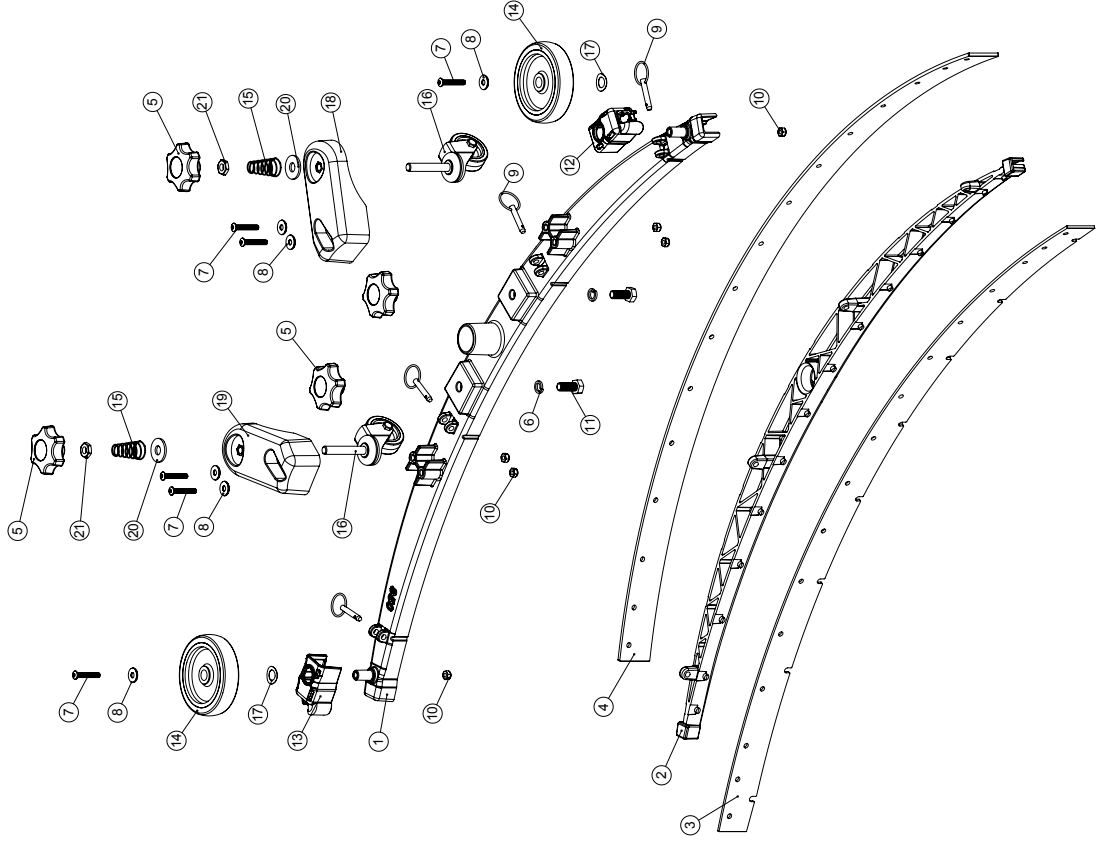
Model No: 850 TWINTEC ALUMINIUM FLOOR TOOL (38MM HOSE)

599443 900481 900481 900481
 DRAWING: DRW-18079 ISS: A06
 27/03/2018

Internal Code:

PRO

NB: FOR WIRING SEE DRAWING: N/A



Numatic International Spare Parts

Model No: 850 TWINTEC ALUMINIUM FLOOR TOOL (38MM HOSE)

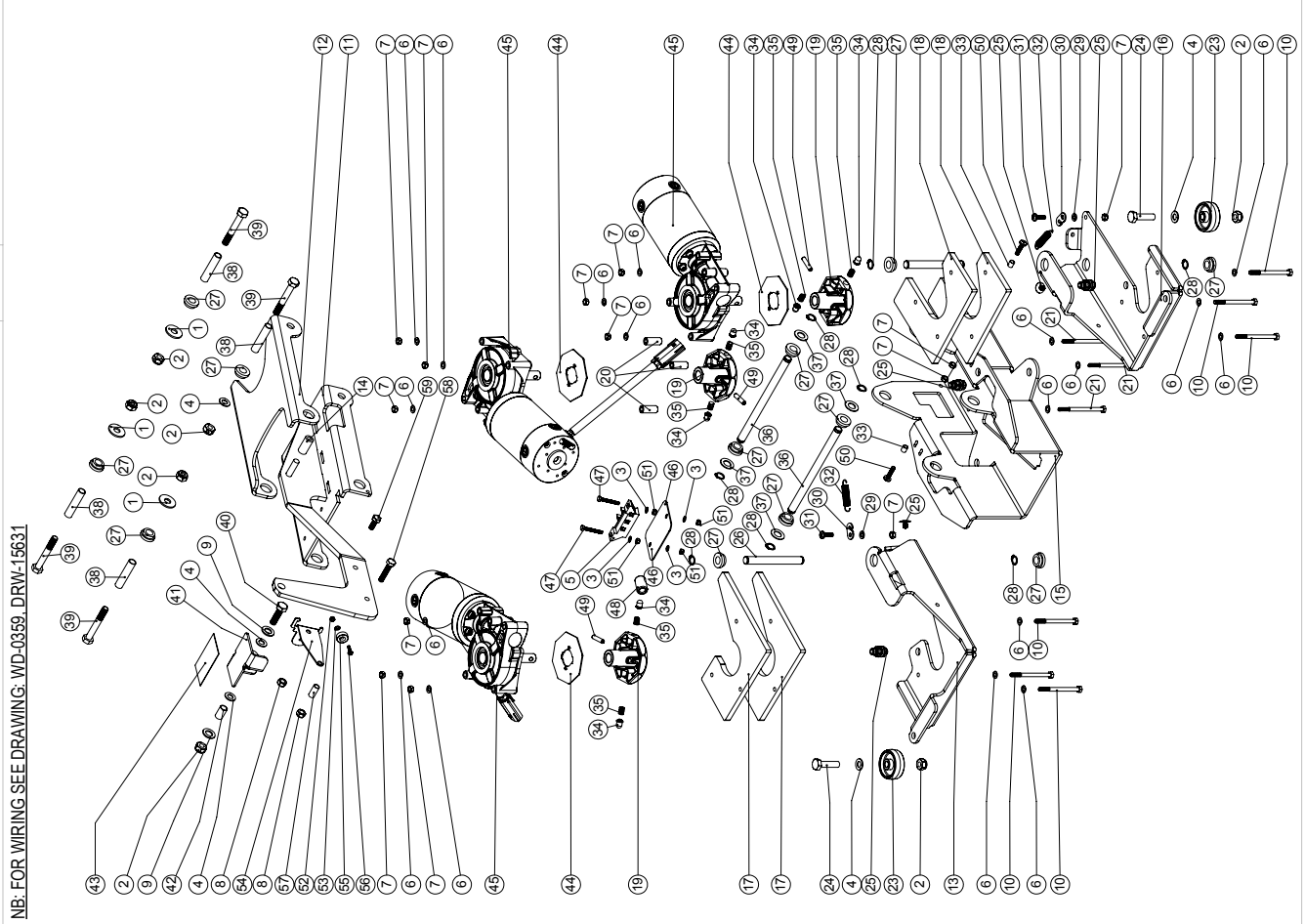
ITEM:	PART No:	DESCRIPTION	QTY.
1	208197	(850MM SCRUB WIDTH) ALUMINIUM SQUEEGEE CASTING (38MM HOSE FITTING)	1
2	228988	(850MM SCRUB WIDTH) BLADE HOLDER Moulding (SLOPING PROFILE) (32MM & 38MM HOSE FITTING)	1
3	SEE TABLE	(850MM SCRUB WIDTH) REPLACEMENT (3.2MM / 40 SHORE A) FRONT MONOLAYER SERILOR POLY/BLADE (1085MM LONG)	1
4	SEE TABLE	850MM SCRUB WIDTH REPLACEMENT REAR BLADE (1117MM LONG)	1
5	903281	M10 LOBE KNOB (RED)	4
6	219899	M10 SINGLE COIL STAINLESS STEEL WASHER	2
7	219933	M6 X 35MM SOCKET BUTTON HEAD BOLT STAINLESS STEEL	6
8	219647	M6 FORM G STAINLESS STEEL WASHER	6
9	208953	DETENT PINS	4
10	219642	M6 STAINLESS STEEL NYLON INSERT NUT	6
11	219909	M10 X 25MM LONG HEXAGONAL STAINLESS STEEL SCREW	2
12	237322	RIGHT HAND FLOOR TOOL CLIP Moulding	1
13	237323	LEFT HAND FLOOR TOOL CLIP Moulding	1
14	208796	4 INCH WHEEL	2
15	229175	CONICAL SPRING	2
16	907759	50MM DIAMETER GREY TPR TYRED SWIVEL CASTOR CW M10 X 60 SWAGED STEM.	2
17	219891	13MM WAVEY WASHER	2
18	906860	ADJUSTABLE FLOOR TOOL CASTOR PLASTIC PLATE LEFT	1
19	906859	ADJUSTABLE FLOOR TOOL CASTOR PLASTIC PLATE RIGHT	1
20	291124	M10 PENNY WASHER STAINLESS STEEL	2
21	219951	A4 (STAINLESS STEEL) M10 HEX LOCK NUT (HALF NUT)	2

BLADE	FRONT	REAR
POLYURETHANE 43 SHORE A	206949	206950
POLYURETHANE 50 SHORE A	208193	208195
LINATEX NATURAL RUBBER 40 SHORE A	208194	208196
SERILOR/CLEAN/POLYURETHANE FRONT: 40 SHORE A / REAR: 35-45 SHORE A	208969	208972

Numatic International Spare Parts
Model No: TT678 BRUSH DECK / LIFTING LINK / CHUCK ASSEMBLY

905582
 DRAWING: DRW-24931 ISS A14
 21/03/2018

Numatic International Spare Parts
Model No: TT678 BRUSH DECK / LIFTING LINK / CHUCK ASSEMBLY
 NB: FOR WIRING SEE DRAWING: WD-0359, DRW-15631



ITEM	PART NO.	DESCRIPTION	COMMENTS	QTY.
1	291124	M10 PENNY WASHER STAINLESS STEEL		3
2	219897	M10 STAINLESS STEEL NYLON INSERT NUT		7
3	219355	M5 FORM A STAINLESS STEEL WASHER	MODELS BUILT BEFORE 03/2014	4
4	219903	M10 FORM A STAINLESS STEEL WASHER		5
5	206788	TERMINAL BLOCK	MODELS BUILT BEFORE 03/2014	1
6	219560	M6 FORM B STAINLESS STEEL WASHER		18
7	219983	M6 NYLOC STAINLESS STEEL FULL NUT		13
8	219659	M8 STAINLESS STEEL NYLON INSERT NUT		2
9	219911	PLASTIC WASHER		2
10	219915	M6 X 80MM LONG STAINLESS STEEL HEXAGONAL HEAD BOLT		6
11	404044	BRUSH DECK PEDAL ARM WELDED ASSEMBLY - PAINTED SILVER GREY		1
12	404045	BRUSH DECK REAR LINK - PAINTED SILVER GREY		1
13	303803	WELDED BRUSH DECK RIGHT PIVOT PAINTED SILVER GREY		1
14	391211	SILICON TUBE 30MM LONG X 8MM I/D X 3.2MM WALL SECTION		1
15	329816	BRUSH DECK CENTRE PIVOT PAINTED SILVER GREY		1
16	303802	WELDED BRUSH DECK LEFT PIVOT PAINTED SILVER GREY		1
17	404037	RIDE-ON RH BRUSH DECK WEIGHT PAINTED SILVER GREY		2
18	404036	LEFTHAND BRUSH DECK WEIGHT (PAINTED SILVER GREY)		2
19	206966	CHUCK CASTING	SPARE PART: 303809 INCLUDING: 22,32,43,54,59	3
20	206851	MOTOR MOUNTING SPACER		3
21	291021	M6 X 90MM LONG STAINLESS STEEL HEXAGONAL HEAD BOLT		3
25	208024	PUSH IN BARBED FASTENER		2
23	206712	50MM DIAMETER BLACK WHEEL		2
24	903430	M10 X 40MM LONG HEXAGONAL STAINLESS STEEL SCREW		2
25	208032	6MM BULKHEAD CONNECTOR		3
26	206981	BRUSH DECK PIVOT PIN		2
27	206058	SHOULDERED BUSH - Ø12.9MM I/D		12
28	905563	13MM EXTERNAL CIRCLIP ST/ST		8
29	219493	M6 NYLON WASHER		2
30	329920	BRUSH DECK SPRING PIVOT BRACKET		2
31	219701	M6 X 20MM LONG POZI PAN STAINLESS STEEL SCREW		2
32	208050	BRUSH DECK ROTATION SPRING		2
33	219843	6MM I/D X 9.5MM LONG SPIROL SPACER (STAINLESS STEEL)		2
34	208135	CHUCK DOME		6
35	206957	DRIVE SYSTEM SPRING		6
36	206980	PIVOT TUBE		2
37	219302	M12 FORM B STAINLESS STEEL WASHER		4
38	391194	PIVOT TUBE A		4
39	904945	M10 X 70MM LONG HEX BOLT STAINLESS STEEL		4
40	219895	M10 X 35MM LONG HEXAGONAL STAINLESS STEEL SCREW		1
41	329807	FOOT PEDAL HINGE BRACKET		1
42	303811	12.7MM DIAMETER X 18G X 20MM LONG STAINLESS STEEL TUBE		1
43	904204	FOOT PEDAL GRIP PAD RED	BLACK VERSION 391221	1
44	392331	OCTO CHUCK PLASTIC COVER		3
45	205263	24V DC BRUSH DRIVE MOTOR/GEARBOX ASSEMBLY (14:1 RATIO) C/W WATERPROOF CONNECTOR		3
46	329922	BRUSH DECK TERMINAL SPLASH GUARD	MODELS BUILT BEFORE 03/2014	1
47	905554	M5 X 35MM LONG HEXAGONAL HEAD SCREW ST/ST	MODELS BUILT BEFORE 03/2014	2
48	230097	AXIAL FERRITE BEAD 17.5 X 9.5 X 28.5 (REF 742 700 9)	MODELS BUILT BEFORE 03/2014	1
49	291079	6MM X 30MM STAINLESS STEEL ROLL PIN	MODELS BUILT BEFORE 03/2014	3
50	902232	M6 X 25MM LONG POZI PAN SCREW STAINLESS STEEL		2
51	291035	M5 NYLON INSERT NUT (STAINLESS STEEL)		4
52	219687	M4 STAINLESS STEEL NYLON INSERT NUT		1
53	219688	M4 FORM A STAINLESS STEEL WASHER		1
54	907246	MAGNET PEDAL ARM BRACKET		1
55	208382	MAGNET (19MM Ø/D)		1
56	219862	M4 X 16MM LONG POZI PAN STAINLESS STEEL SCREW		1
57	906651	SPACER (S/S) 10MM Ø/D 8MM I/D X 22MM LONG		1
58	291112	M8 X 40 LONG HEX BOLT STAINLESS STEEL		1
59	219717	M8 X 20MM LONG HEXAGONAL STAINLESS STEEL BOLT		1

Numatic International Limited (Head Office)

Chard, Somerset TA20 2GB, UNITED KINGDOM

Tel: 01460 68600 numatic.com

Numatic International GmbH

Fränkische Straße 15-19, 30455 Hannover, DEUTSCHLAND

Tel: +49 (0) 511 984 2160 numatic.de

Numatic International Denmark

Fränkische Straße 15-19, 30455 Hannover, DEUTSCHLAND

Tel: +45 (0) 316 40808 numatic-online.dk

Numatic International S.A.S

13/17 rue du Valengelier, EAE la Tuilerie, 77500 Chelles, FRANCE

Tel: +33 (0) 164 726 161 numatic.fr

Numatic International BV

Vennootsweg 15, 2404 CG, Alphen aan den Rijn, NEDERLAND

Tel: +31 (0) 172 467 999 numatic.nl

Numatic International Schweiz AG.

Sihlbruggstrasse 3A, 6340 Baar, SCHWEIZ

Tel: +41 (0) 41 768 0760 numatic.ch

Numatic International (PTY) Ltd.

Cnr. 16th & Pharmaceutical Road, Randjes Park, Midrand 1685, SOUTH AFRICA

Tel: +27 (0) 861 686 284 numatic.co.za

Numatic International ULDA

Rua Francisco da Silva Duarte, nº79,

4475-269 Santa Maria de Avioso, Castelo da Maia, PORTUGAL

Tel: +351 220 047 700 numatic.pt

Numatic International Spain, S.L.U.

Av. Baix Llobregat, 5-7, Oficina bajos 1 (Parc Negocis Mas Blau II)

08820 El Prat de Llobregat (Barcelona), SPAIN

Tel: +34 93 647 22 22 numatic.es

Numatic International Italy S.R.L

Via Luigi Galvani, 2, Z.I. Talponedo, 33080 Porcia (PN), ITALY

Tel: +39 (0) 434 046 211 numatic.it