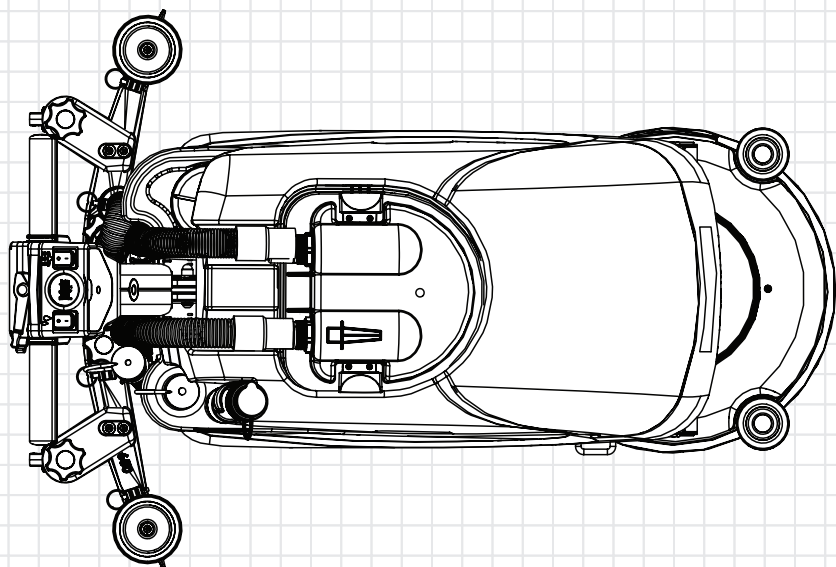
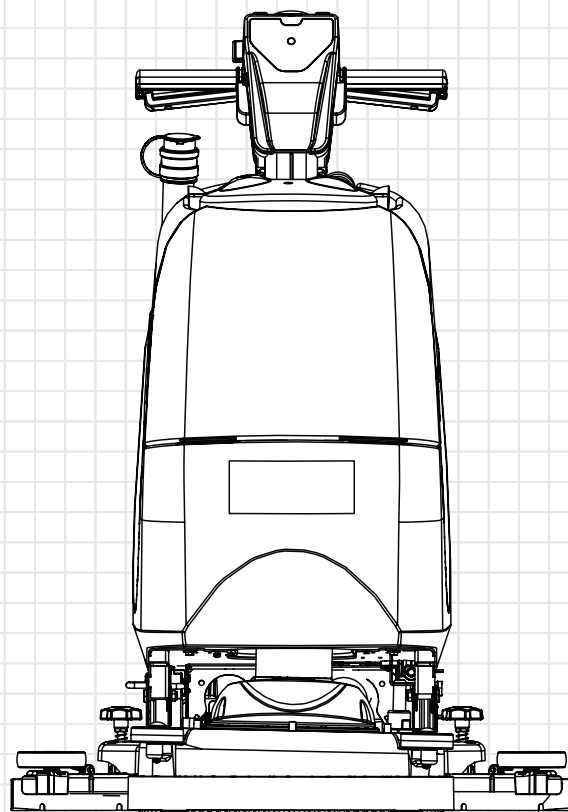
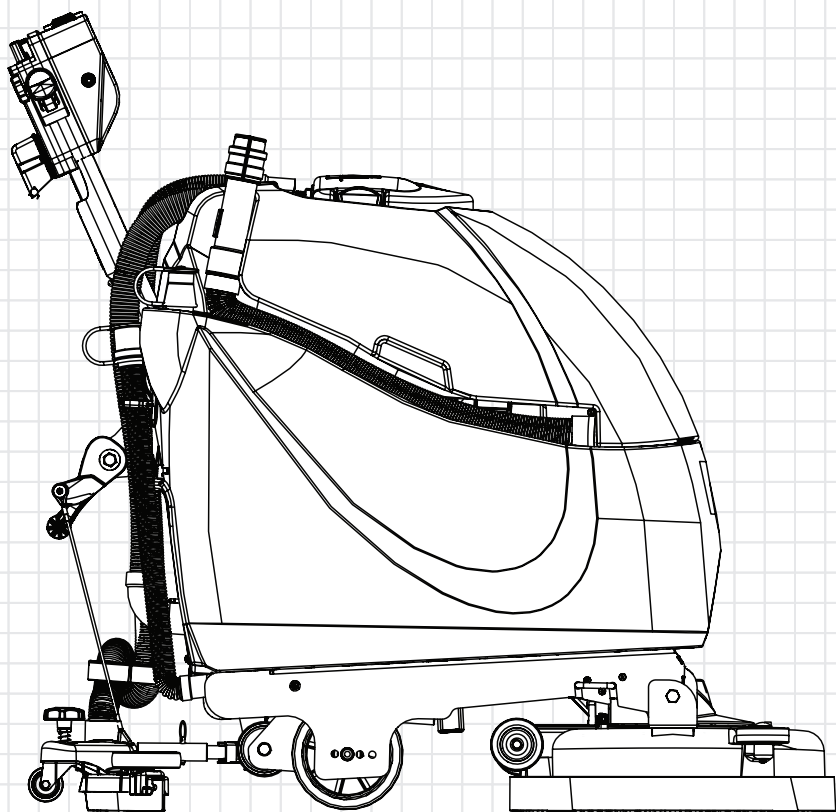


TBL4045



Service Engineer Exploded Drawings



DISCLAIMER:

These drawings are for part order reference only and intended for service engineers use.

The installation of Genuine Numatic spare parts should only be executed by Certified Numatic service engineers who specialised and familiar with all relevant safety regulations.

Numatic International Ltd do not accept responsibility or liability for any loss or damage to property or person if repairs or servicing of products are carried out by non-certified persons.

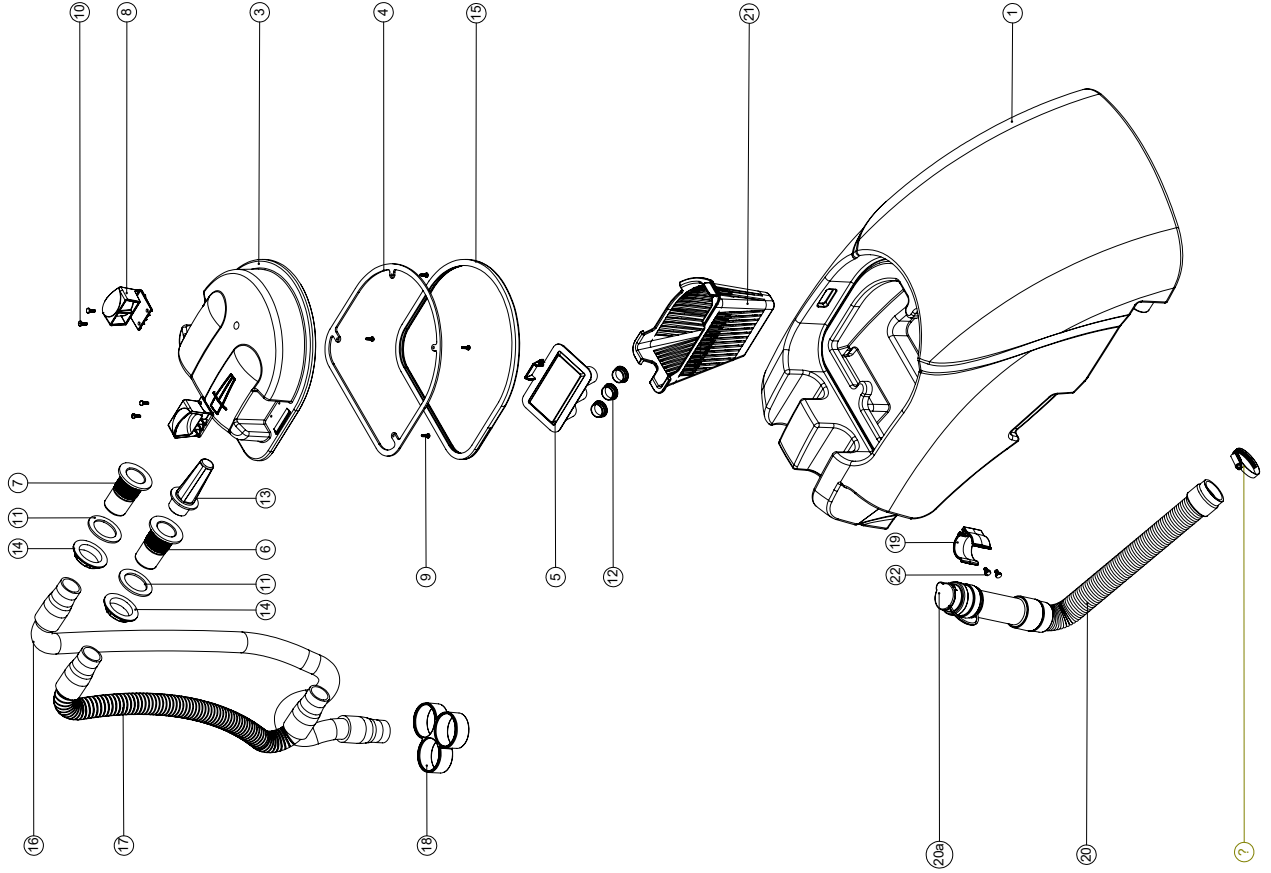
Specifications and parts are subject to change without notice .

Numatic International Spare Parts

Model No: TGB4045/4055 EXPLODED VIEW: TOP TANK

NB: FOR WIRING SEE DRAWING: N/A

908096
DRAWING: DRW-22926 ISS: A10
07/09/2021



Numatic International Spare Parts

Model No: TGB4045/4055 EXPLODED VIEW: TOP TANK

ITEM:	PART No:	DESCRIPTION	COMMENTS:	QTY
1	N/A	TTB-4055 TOP TANK MOULDING (GRAPHITE GREY)		1
2	219919	32MM-50MM STAINLESS STEEL HOSE CLIP		1
3	237381	INTEGRATED CHASSIS SEPARATOR		1
4	392200	FILTER GASKET RING		1
5	237090	SEPARATOR FLOAT MOULDING (MK 2)		1
6	237526	38MM RED DRAIN HOSE CONNECTOR		1
7	237018	38MM DRAIN HOSE CONNECTOR		1
8	902919	CLIP MOULDING (RED)		2
9	219852	N06 X 1/2 LONG POZI PAN STAINLESS STEEL SELF TAP SCREW		4
10	219569	N08 X 1/2 INCH LONG POZI PAN STAINLESS STEEL PLASTITTE SCREW		4
11	219310	RUBBER WASHER		2
12	206315	TUBE END PLUG		3
13	206265	TT/B 3/4S BARREL FILTER		1
14	206116	BLACK NUT		2
15	208591	NEW SEPARATOR GASKET		1
16	N/A	35MM X 690MM LONG 3:1 STRETCH HOSE (SHORT & LONG CUFF)		1
17	N/A	VAC HOSE 650MM X Ø38MM		1
18	237718	HOSE GUIDE		1
19	237382	ACETAL HOSE CLIP MOULDING		1
20	N/A	35MM X 250MM STRETCH HOSE (3:1) CW ADJUSTABLE CUFF + CAP		1
20a	900903	HOSE CLOSURE REPLACEMENT KIT (35MM-38MM STRETCH HOSE)	SPARE ITEM	1
21	906070	MESHLESS FILTER BASKET		1
22	291135	M5 X 10MM LONG STAINLESS STEEL POZI PAN SEMS SCREW		2

Numatic International Spare Parts

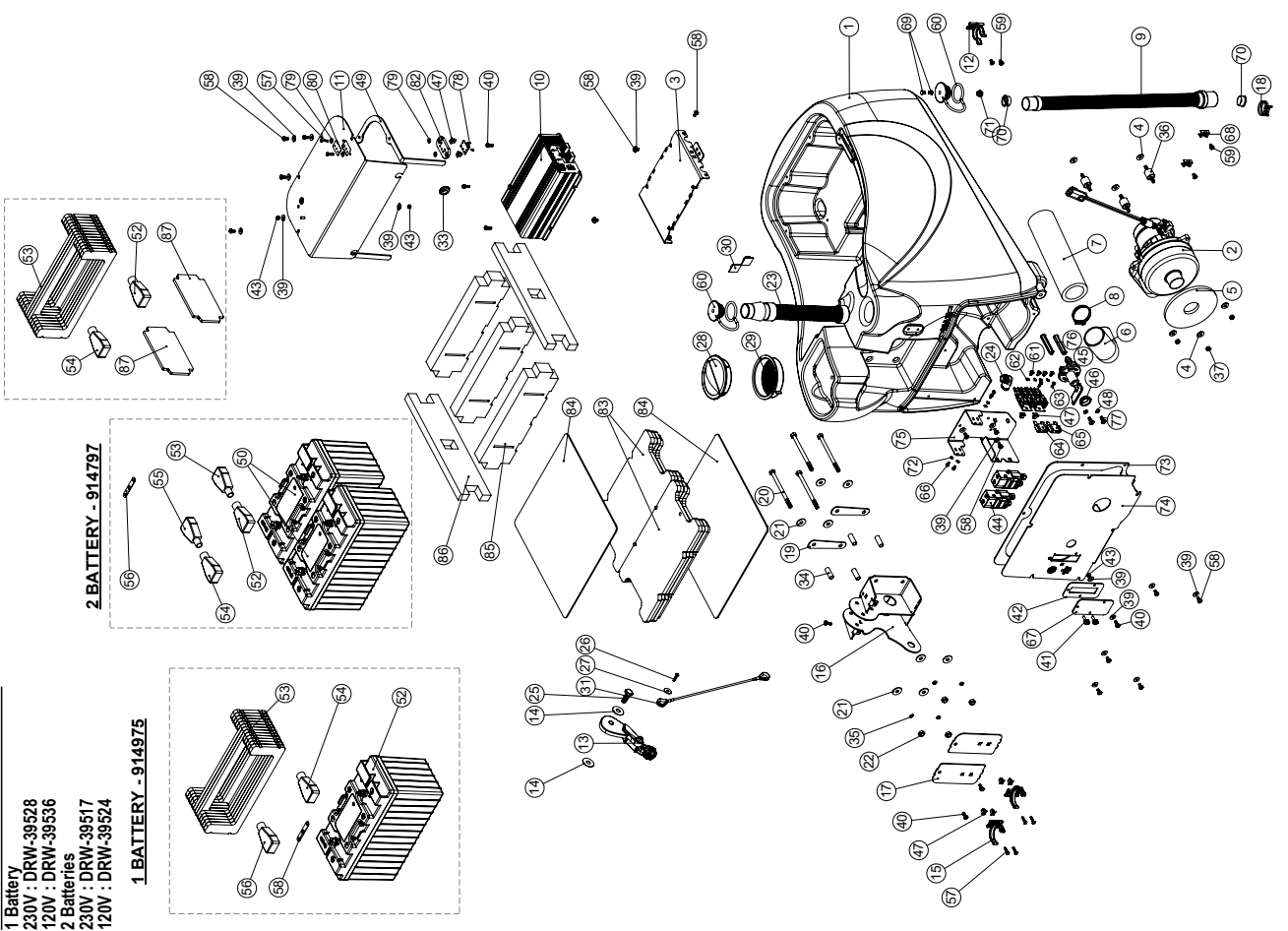
Model No: TBL-4045/4055 EXPLODED VIEW: BOTTOM TANK

NB: FOR WIRING SEE DRAWING:

- 1 Battery
- 230V : DRW-39528
- 120V : DRW-39536
- 2 Batteries
- 230V : DRW-39517
- 120V : DRW-39524

LESS BATTERIES - 914975

914797, 914975, 917196
DRAWING: DRW-38392 ISS:A07
22/06/2023



Numatic International Spare Parts

Model No: TBL-4045/4055 EXPLODED VIEW: BOTTOM TANK

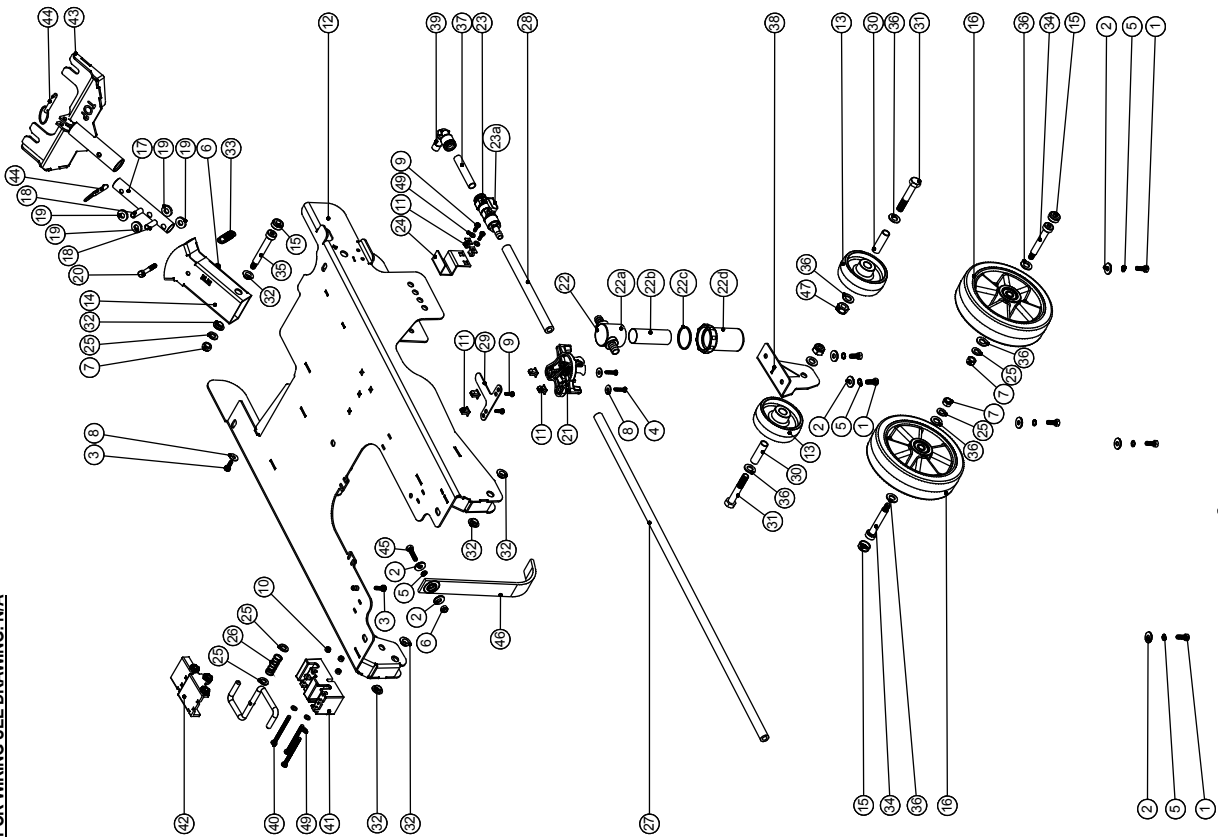
ITEM:	PART No:	Description:	Comments:	QTY:
1	915225	TBL-4045/55 BOTTOM TANK MOUNTING (GRAPHITE)		1
2	915495	2AV TANGENTIAL DISCHARGE 2-STAGE VAC MOTOR ASSEMBLY		1
3	914230	600W CHARGER PLATE C/W INSERT M/S PAINTED SILVER		1
4	219677	M6 FORM G STAINLESS STEEL WASHER		6
5	219677	M6 FORM G STAINLESS STEEL WASHER		6
6	208571	DIP MOLDED FLOW		1
7	208306	SILENCER FOAM TUBE		1
8	219529	STAINLESS STEEL HOSE CLAMP (45MM - 60MM)		1
9	213025	DUMP HOSE		1
10	914042	CHARGER ZAVLEP		1
11	914042	CHARGER ZAVLEP		1
12	911916	20mm HOSE CLIP		1
13	902324	RED SQUEEGEE LIFT HANDLE		2
14	914266	M10 X 30 X 1.5 A4 ST FENDER WASHER		2
15	291754	35-38MM HOSE CLIP		2
16	903612	TGB 3045 HANDLE MOUNT WELD ASSEMBLY ZIPL		2
17	903612	TGB 3045 HANDLE MOUNT WELD ASSEMBLY ZIPL		2
18	903612	TGB 3045 HANDLE MOUNT WELD ASSEMBLY ZIPL		2
19	392449	HANDLE MOUNT LINK PLATE PAINT SILVER		2
20	291126	M8 X 120 LONG HEX BOLT STAINLESS STEEL		4
21	219716	M8 FORM G STAINLESS STEEL WASHER		4
22	219639	M8 STAINLESS STEEL NYLON INSERT NUT		4
23	208960	1/8" BT T FILLING HOSE		1
24	901539	ELBOW ANGLE CONNECTOR 3/8" PARALLEL THREAD C/W O-RING TO 12MM PUSH IN		1
25	219639	M8 STAINLESS STEEL NYLON INSERT NUT		1
26	219639	M8 STAINLESS STEEL NYLON INSERT NUT		1
27	291118	M5 X 16MM LONG STAINLESS STEEL POZI PAN MACHINE SCREW		1
28	903544	FILLER CAP LID (RED)		1
29	903543	CLEAN TANK INLET FILTER (RED)		1
30	220403	CABLE CLIP		2
31	219639	M8 STAINLESS STEEL NYLON INSERT NUT		2
32	219639	M8 STAINLESS STEEL NYLON INSERT NUT		2
33	219735	GROMMET		3
34	305046	30MM PVC HOSE ID 8.0MM X 11.0MM		4
35	219639	M8 STAINLESS STEEL NYLON INSERT NUT		4
36	902006	AV MOUNT MALE TO MALE M6 X 18 (BODY Ø20X20 - REF P2004.02D-020)		3
37	219642	M6 STAINLESS STEEL NYLON INSERT NUT		3
38	219642	M6 STAINLESS STEEL NYLON INSERT NUT		3
39	219642	M6 STAINLESS STEEL NYLON INSERT NUT		3
40	291132	M5 X 16MM LONG STAINLESS STEEL POZI PAN SEMS SCREW		18
41	904491	M5 X 16MM SLOT KNURLED THUMB SCREW NYLON (WHITE)		2
42	903601	FUSE GASKET		2
43	219633	M5 STAINLESS STEEL NYLON INSERT NUT		2
44	219633	M5 STAINLESS STEEL NYLON INSERT NUT		2
45	219633	M5 STAINLESS STEEL NYLON INSERT NUT		2
46	502331	OF PVC GROMMET (28MM X 22MM X 2MM)		1
47	900986	NYLON GROMMET NUT (PLASTIC INSERT TO SUIT No 8 PLASTITE SCREW)		8
48	902353	M6 EXTERNAL SHAKEPROOF WASHER STAINLESS STEEL		2
49	902824	CHARGER COVER GASKET (2)		1
50	911948	NX1K BATTERY (LFP)	1 BATTERY CONFIG QTY - x17 CONFIGURATION - x0	2
51	914974	LITHIUM 1KW BATTERY WEIGHT MK2 ASM	1 BATTERY OR LESS BATTERIES CONFIG ONLY	1
52	915219	BLACK BATTERY TERMINAL COVER (415N0V14) (19.05MM DIA)	1 BATTERY OR LESS BATTERIES CONFIG QTY - x1	1
53	906148	BLACK BATTERY TERMINAL COVER (415N8F14)	1 BATTERY OR LESS BATTERIES CONFIG QTY - x0	1
54	915218	RED BATTERY TERMINAL COVER (415N0V02) (19.05MM DIA)	1 BATTERY OR LESS BATTERIES CONFIG QTY - x0	1
55	906147	RED BATTERY TERMINAL COVER (415N8F02)	1 BATTERY OR LESS BATTERIES CONFIG QTY - x0	1
56	N/A	CANBUS H/L0 CONNECTOR PCB		1
57	219568	N08 3/4 INCH LG POZI PAN SCREW STAINLESS STEEL PLASTITE		6
58	291131	M5 X 12MM LONG STAINLESS STEEL POZI PAN SEMS SCREW		15
59	603135	M5 X 10MM LONG STAINLESS STEEL POZI PAN SEMS SCREW		4
60	603135	M5 X 10MM LONG STAINLESS STEEL POZI PAN SEMS SCREW		4
61	219864	M5 X 16MM LONG POZI PAN SCREW ZIPL		4
62	219861	M5 SINGLE COIL STAINLESS STEEL WASHER		4
63	219569	N08 X 1/2 INCH LONG POZI PAN STAINLESS STEEL PLASTITE SCREW		2
64	230104	30 AMP MAXI FUSE		1
65	221091	20 AMP MAXI FUSE		1
66	503602	FUSE COVER PLATE		4
67	503602	FUSE COVER PLATE		4
68	220604	CABLE CLIP PLATEFORM		2
69	904403	BARBED RIVET BLACK		2
70	904108	FLOAT STOP MOULDING		2
71	904109	FLOAT MOULDING WASHER STAINLESS STEEL		2
72	603933	BACK PLATE GASKET (2)		4
73	603933	BACK PLATE GASKET (2)		4
74	903232	TGB44555 BACK PLATE C/W NUTS/TS PAINTED SILVER		1
75	909471	FUSE AND CONTACTORS BRACKET PAINTED SILVER		1
76	909639	60MM HEXAGONAL SPACER (M6 FEMALE TO FEMALE)		2
77	219644	M6 X 16MM LONG POZI PAN STAINLESS STEEL SCREW		2
78	905565	M7 26MM LONG POZI PAN SCREW S/ST		2
79	208976	CHARGER LIGHTS OVERLAY		4
80	208976	CHARGER LIGHTS OVERLAY		4
81	280002	CHARGER LED DISPLAY PCB		1
82	908735	CHARGER LED PCB SPACER C/W INSERTS (TRG)PP		1
83	915210	TANK WEIGHT		2
84	915039	POLYPROP WEAR SHEET		2
85	915039	POLYPROP WEAR SHEET		2
86	915008	TGB44555 SLOTTED BATTERY TRAY MK2 - SIDE WALL (20mm)		2
87	916202	Single Battery Foam Spacer	LESS BATTERIES CONFIG ONLY	1

Numatic International Spare Parts

Model No: TGB4045/4055 EXPLODED VIEW: CHASSIS

NB: FOR WIRING SEE DRAWING: N/A

910871
DRAWING: DRW-22935 ISS:A08
03/07/2019



Numatic International Spare Parts

Model No: TGB4045/4055 EXPLODED VIEW: CHASSIS

ITEM: PART No:	DESCRIPTION	COMMENTS:	QTY
1	219719 M6 X 16MM LONG HEXAGONAL STAINLESS STEEL HEAD BOLT		7
2	219647 M6 FORM G STAINLESS STEEL WASHER		9
3	291132 M6 X 16MM LONG STAINLESS STEEL POZI PAN SEMS SCREW		2
4	219568 N083/4 INCH LG POZI PAN SCREW STAINLESS STEEL PLASTITE		2
5	902353 M6 EXTERNAL SHAKEPROOF WASHER STAINLESS STEEL		8
6	219642 M6 STAINLESS STEEL NYLON INSERT NUT		2
7	219639 M6 STAINLESS STEEL NYLON INSERT NUT		3
8	219644 M5 FORM G STAINLESS STEEL WASHER		3
9	219669 N08 X 1/2 INCH LONG POZI PAN STAINLESS STEEL PLASTITE SCREW		4
10	219633 M5 STAINLESS STEEL NYLON INSERT NUT		3
11	900986 NYLON GROMMET NUT (PLASTIC INSERT TO SUIT No 8 PLASTITE SCREW)		6
12	903559 TGB4045/4055 CHASSIS WELD ASSY (12SWG MS) PAINT SILVER		1
13	208713 80MM DIAMETER WHITE WHEEL		2
14	304359 TTTTB4045/4055 SQUEEGEE MOUNT WELD ASSEMBLY		1
15	237632 SHOULDER BOLT COVER		3
16	NA 160mm WHEEL WITH POLYURETHENE TYRE		2
17	304356 FLOOR TOOL PIVOT TUBE		1
18	208954 SPIRO SPACER		2
19	206964 SLIDE NYLON SPACER		4
20	291125 M6 X 40 LONG HEX BOLT STAINLESS STEEL		1
21	901006 FILTER MOUNTING BRACKET		1
22	208888 EXTENDED STRAINER		1
22a	208827 STRAINER BLACK TOP	SPARE PART	1
22b	208889 EXTENDED STRAINER 90 MESH SCREEN	SPARE PART	1
22c	208830 STRAINER GASKET	SPARE PART	1
22d	208890 EXTENDED STRAINER CLEAR BOWL	SPARE PART	1
23	901542 12MM PUSH FIT TO 10MM HOSE TAIL BALL VALVE ASSEMBLY		1
23a	901544 TAP HANDLE C/W COVER AND M3X8MM SCREW (SPARE ITEM)		1
24	392314 10MM TAP BRACKET		1
25	219578 M8 FORM A STAINLESS STEEL WASHER		5
26	208578 DECK LOCK SPRING		1
27	391453 SILICON TUBE 750MM LONG X 8MM ID X 3.2MM WALL SECTION		1
28	391452 SILICON TUBE 8MM ID X 3.2MM WALL SECTION (CUT 190MM)		1
29	321902 SILENCER CLAMP		1
30	391440 1/2 INCH X 1/8 X 4MM LONG STAINLESS STEEL SPACER TUBE		2
31	219894 M10 X 60MM LONG HEXAGONAL STAINLESS STEEL BOLT		2
32	208312 IGUS BEARING (GFM 101205)		6
33	208619 FLOOR TOOL SPRING		1
34	291057 M8 X 10 X 55MM LONG HEX SOCKET SHOULDER BOLT		2
35	208574 M8 X 10 X 60MM LONG HEX SOCKET SHOULDER BOLT		1
36	219903 M10 FORM A STAINLESS STEEL WASHER		8
37	901553 NYLON TUBE 12MM OD X 10MM ID (65MM)		1
38	903611 TGB TRANSPORT WHEEL BRACKET WELD ASSEMBLY PAINT SILVER		1
39	901545 ELBOW ANGLE CONNECTOR 12MM PUSH IN TO 12MM STEM		1
40	901558 M5 X 60MM STAINLESS STEEL POZI PAN MACHINE SCREW		3
41	901280 LATCH BLOCK BOTTOM MouldING		1
42	901279 LATCH BLOCK TOP MouldING		1
43	304466 FLOOR TOOL BRACKET ASSEMBLY (TTT/TTB4045/4055)		1
44	206953 DETENT PINS		2
45	219925 M6 X 25MM LONG STAINLESS STEEL HEX SCREW		1
46	903683 ANTI-STATIC STRAP (CUT TO LENGTH: 270MM LONG)		1
47	219897 M10 STAINLESS STEEL NYLON INSERT NUT		2
48	904440 DECK LATCH BAR		1
49	219355 M6 FORM A STAINLESS STEEL WASHER		5

Numatic International Spare Parts

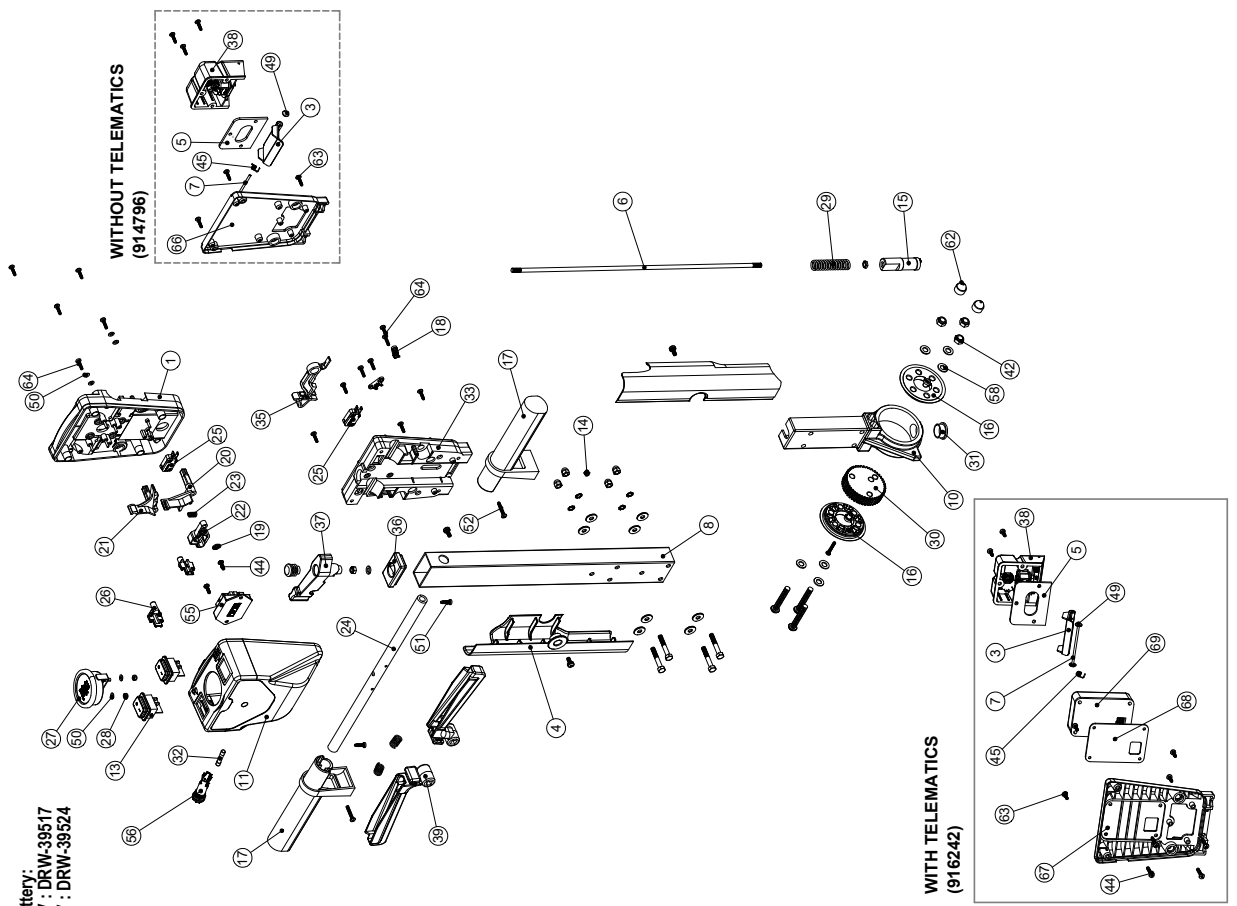
Model No.: TBL 3045/4045/4055 (& HBL) HANDLE ASSEMBLY EXPLODED VIEW

914796.916242
DRAWING: DRW-38393 ISS:A02
25/01/2023

NB: FOR WIRING SEE DRAWING:

1 Battery:
230V : DRW-39528
120V : DRW-39536

2 Battery:
230V : DRW-39517
120V : DRW-39524



Numatic International Spare Parts

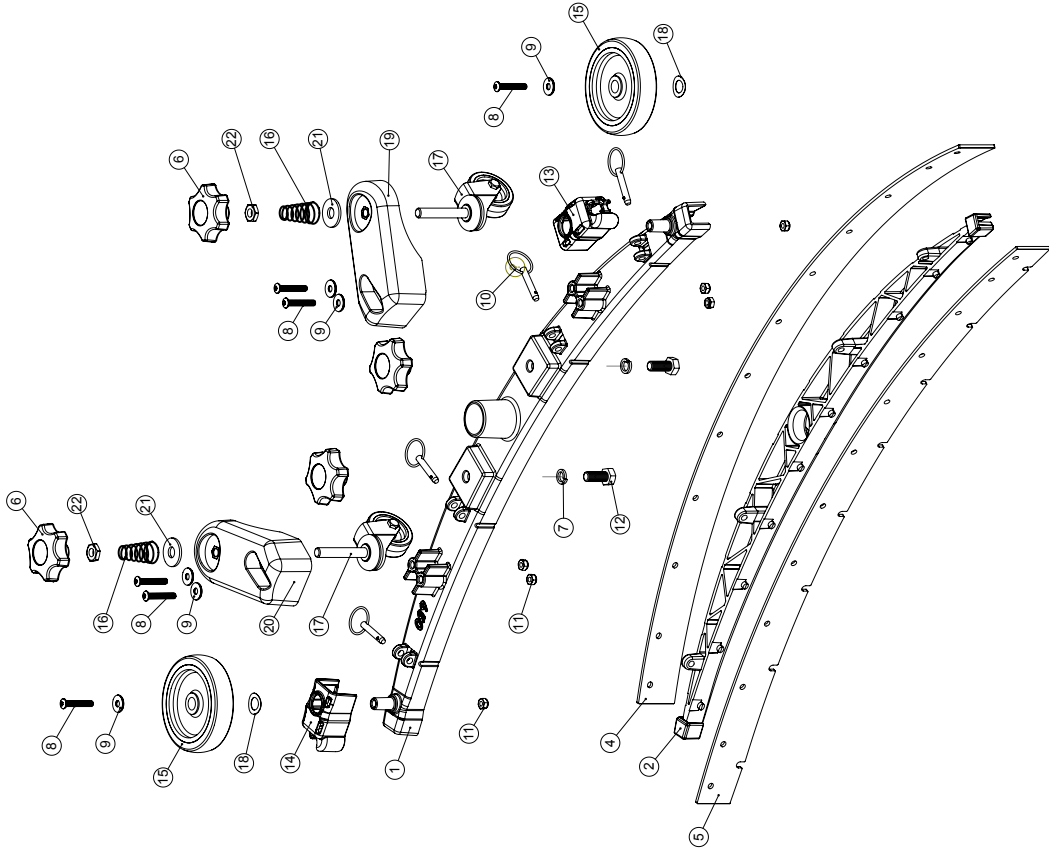
Model No.: TBL 3045/4045/4055 (& HBL) HANDLE ASSEMBLY EXPLODED VIEW

ITEM:	PART NO.:	DESCRIPTION	COMMENTS:	QTY.:
1	227576	TALC FILLED FRONT INNER HALF MouldING	STANDARD TBL MACHINE	1
2	237542	FRONT INNER HALF MouldING (BLACK)	FOR HBL	1
3	229508	FLAME RETARDANT FRONT INNER HALF MouldING	FLAME RETARDANT 120V	1
4	237692	HANDLE CABLE COVER L/H	FLAME RETARDANT 120V + HGB USE 904907	1
5	209105	SOCKET COVER SEALING GASKET		1
6	226446	40MM HANDLE LOCKING PIN		1
7	380979	72MM LONG X 3MM DIAMETER STAINLESS STEEL BAR		1
8	903603	TGB/TTG 430MM PROCESSED ALI HANDLE PAINT SILVER		1
9	903628	MODIFIED REAR COVER MouldING (BLACK)	FOR HBL	1
10	303628	FLAME RETARDANT MODIFIED REAR COVER MouldING	FLAME RETARDANT 120V (+HGB)	1
11	903596	HANDLE CASTING MACHINED (HNS VERSION)	STANDARD TBL MACHINE	1
12	903596	TGB HANDLE FRONT COVER TFPF	FOR HBL	1
13	903596	TGB HANDLE FRONT COVER TFPF BLACK	FLAME RETARDANT 120V (+HBL)	2
14	226403	BLANKING PLUG		1
15	226073	GEAR LOCKING PIN		1
16	900396	ADJUSTMENT GEAR SPACER		2
17	227580	HAND GRIP MouldING	FLAME RETARDANT 120V + HBL USE 237544	2
18	229669	LOLINE HANDLE CABLE CLAMP		2
19	219805	4MM SPIREX		1
20	227585	LEFT HAND SWITCH OPERATING LEVER MouldING		1
21	227586	RIGHT HAND SWITCH OPERATING LEVER MouldING		1
22	227587	CENTRE SWITCH OPERATING LEVER MouldING		1
23	227589	TOP SPRING		1
24	339269	CROSS TUBE		1
25	226483	SNAP ACTION SWITCH		1
26	903558	TGB HANDLE BOSS		2
27	914748	NORD (LFP) BATTERY HOUR METER 24V (MODEL: 1428.306.01 BDI NE306 CAN NUMATIC)		1
28	219687	M4 STAINLESS STEEL NYLON INSERT NUT		2
29	229138	SPRING 15.85MM OD 76.5MM FREE LENGTH		1
30	900397	MINI ADJUSTMENT GEAR		1
31	229099	25MM DIA HOLE PLUG		1
32	903095	FUSE 2.5A (6.3x32)		1
33	227574	REAR INNER HALF MouldING (BLACK)		1
34	227574	REAR INNER HALF MouldING (RED)		1
35	227584	FLAME RETARDANT REAR INNER HALF MouldING	STANDARD TBL MACHINE	1
36	903546	HANDLE PLUG MouldING (RED)	FLAME RETARDANT 120V (+HBL)	1
37	903545	ADJUSTMENT LEVER MouldING (RED)		1
38	904030	240V EMI FILTER WITH SOCKET COVER ASSEMBLY (PROCESSED)	240V VERSION	1
39	904031	120V EMI FILTER WITH SOCKET COVER ASSEMBLY (PROCESSED)	120V VERSION	1
40	009547	TRIGGER MouldING (RED)		2
41	219647	M6 FORM A STAINLESS STEEL WASHER		8
42	219642	M6 STAINLESS STEEL NYLON INSERT NUT		8
43	219639	M6 STAINLESS STEEL NYLON INSERT NUT		3
44	902353	M6 EXTERNAL SHAKEPROOF WASHER STAINLESS STEEL		4
45	219569	Nø8 X 1/2 INCH LONG POZI PAN STAINLESS STEEL PLASTITE SCREW	QTY FOR TELEMATICS CONFIGURATION X8	2
46	219819	TORSION SPRING		1
47	291125	M6 X 40 LONG HEX BOLT STAINLESS STEEL		4
48	291131	M5 X 12MM LONG STAINLESS STEEL POZI PAN SEMS SCREW		3
49	219483	M6 NYLON WASHER		1
50	219832	3MM DIAMETER STAR LOCK		2
51	219688	M4 FORM A STAINLESS STEEL WASHER		6
52	219036	Nø8 X 5/8 INCH LONG POZI PAN SELF TAPPING SCREW		2
53	219369	Nø8 X 1 INCH LONG POZI PAN STAINLESS STEEL PLASTITE SCREW		2
54	20638V	19MM BLACK TUBE END STOP		1
55	903703	DIAPHRAGM COVER FOR SPRING		2
56	903032	BULGIN PANEL MOUNT FUSE HOLDER		1
57	219764	M6 STAINLESS STEEL DOME NUT		4
58	219576	M8 FORM A STAINLESS STEEL WASHER		6
59	219099	M6 HALF NUT		1
60	219922	M8 X 50MM LONG SOCKET BUTTON HEAD STAINLESS STEEL BOLT		3
61	291150	NØ6 X 1 INCH LONG POZI PAN SCREW S/S		1
62	903260	M8 BOLT AND NUT CAP		2
63	219370	Nø8 X 5/8 INCH LONG PLASTITE STAINLESS STEEL SCREW		15
64	219914	NØ6 X 5/8 INCH LONG POZI-PAN PLASTITE STAINLESS STEEL SCREW		6
65	237693	HANDLE CABLE COVER R/H	WITHOUT TELEMATICS CONFIGURATION ONLY (914796)	1
66	303509	MODIFIED REAR COVER	TELEMATICS CONFIGURATION ONLY	1
67	912496	TTB1840 HANDLE REAR COVER - TELEMATICS	TELEMATICS CONFIGURATION ONLY (916242)	1
68	912151	ADHESIVE PAD - TELEMATICS	TELEMATICS CONFIGURATION ONLY (916242)	1
69	911544	TELEMATICS MODULE ASSEMBLY - ANTHRACITE GREY	TELEMATICS CONFIGURATION ONLY (916242)	1

Numatic International Spare Parts
Model No: 650 TWINTEC ALUMINIUM FLOOR TOOL (38MM HOSE, RED TRIM, SERILOR BLADES)

903347
 DRAWING: DRW-22621 ISS:A09
 PRO
 27/03/2018

NB: FOR WIRING SEE DRAWING: N/A



Numatic International Spare Parts

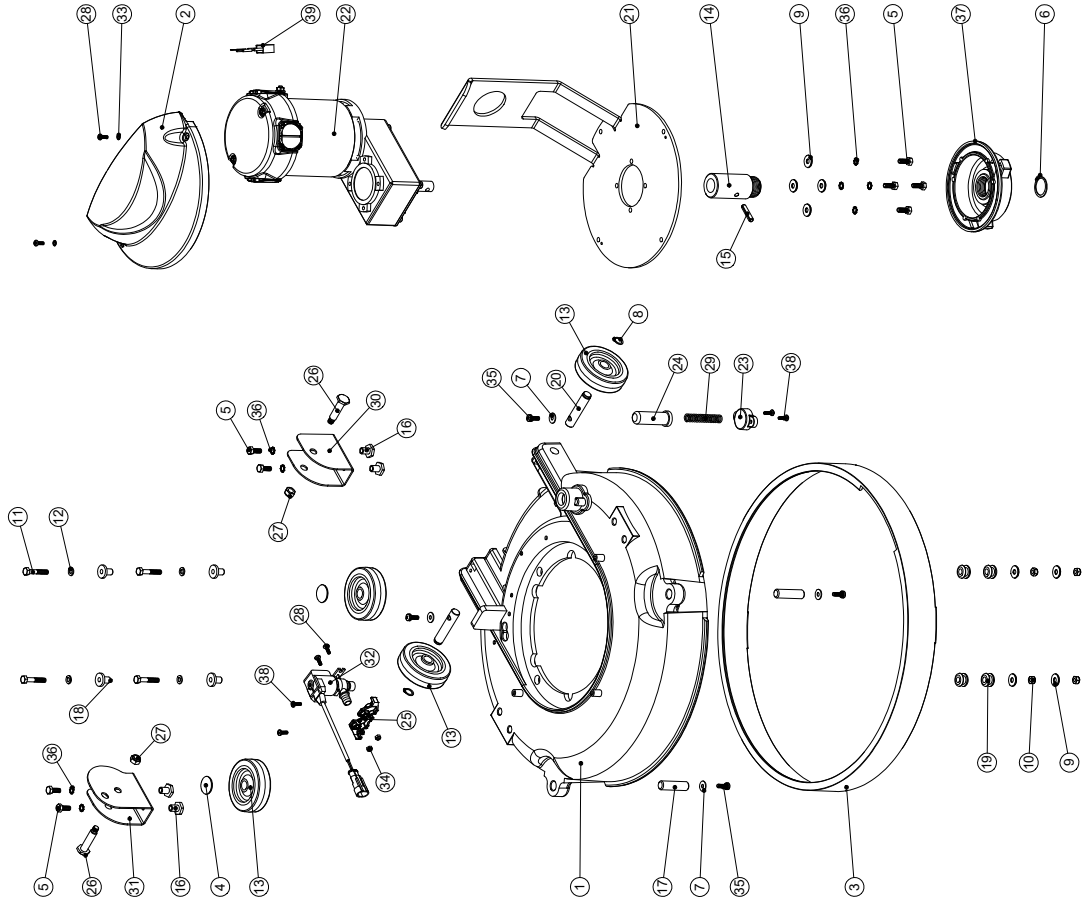
Model No: 650 TWINTEC ALUMINIUM FLOOR TOOL (38MM HOSE, RED TRIM, SERILOR BLADES)

ITEM:	PART No:	Description	Qty
1	208198	(650MM SCRUB WIDTH) ALUMINIUM SQUEEGEE CASTING (38MM HOSE FITTING)	1
2	903345	(650MM SCRUB WIDTH) RED BLADE HOLDER Moulding (SLOPING PROFILE) (32MM & 38MM HOSE FITTING)	1
	900518	650 REPLACEMENT SERILOR GREEN POLYURETHANE BLADES SET	
4	208970	(650MM SCRUB WIDTH) REPLACEMENT (4.0MM / 35-45 SHORE A) REAR LAMINATED SERILOR POLY/BLADE (847MM LONG)	1
5	208987	(650MM SCRUB WIDTH) REPLACEMENT (3.2MM / 40 SHORE A) FRONT MONOLAYER SERILOR POLY/BLADE (819MM LONG)	1
6	903281	M10 LOBE KNOB (RED)	4
7	219889	M10 SINGLE COIL STAINLESS STEEL WASHER	2
8	219933	M6 X 35MM SOCKET BUTTON HEAD BOLT STAINLESS STEEL	6
9	219647	M6 FORM G STAINLESS STEEL WASHER	6
10	206953	DETENT PINS	4
11	219642	M6 STAINLESS STEEL NYLON INSERT NUT	6
12	219909	M10 X 25MM LONG HEXAGONAL STAINLESS STEEL SCREW	2
13	237322	RIGHT HAND FLOOR TOOL CLIP MOULDING	1
14	237323	LEFT HAND FLOOR TOOL CLIP MOULDING	1
15	208796	4 INCH WHEEL	2
16	229175	CONICAL SPRING	2
17	907759	50MM DIAMETER GREY TPR TYRED SWIVEL CASTOR C/W M10 X 60 SWAGED STEM.	2
18	219891	13MM WAVEY WASHER	2
19	906860	ADJUSTABLE FLOOR TOOL CASTOR PLASTIC PLATE LEFT	1
20	906859	ADJUSTABLE FLOOR TOOL CASTOR PLASTIC PLATE RIGHT	1
21	291124	M10 PENNY WASHER STAINLESS STEEL	2
22	219951	A4 (STAINLESS STEEL) M10 HEX LOCK NUT (HALF NUT)	2

Numatic International Spare Parts

Model No: TBL 3045/4045 BRUSH DECK ASSEMBLY EXPLODED VIEW
 NB: FOR TGB 3045 WIRING SEE DRAWING: DRW-22779
 NB: FOR TGB 4045 WD: DRW-22704

915625
 Drawing: DRW-39685 ISS:A01
 15/07/2022



Numatic International Spare Parts

Model No: TBL 3045/4045 BRUSH DECK ASSEMBLY EXPLODED VIEW

ITEM:	ITEM No:	DESCRIPTION:	COMMENTS:	QTY.
1	228258	TT 345 GRAPHITE BASE MOULDING		1
	904896	HGB3045 RED BASE MOULDING (SPARES USE 906414)	HBL	1
2	237380	AMER MOTOR COVER		1
	904897	AMER MOTOR COVER (BLACK)	HBL	1
3	229644	450MM DIAMETER SPLASH SKIRT MOULDING		1
	904898	450MM DIAMETER SPLASH SKIRT MOULDING (BLACK)	HBL	1
4	204021	12.7MM STAINLESS STEEL HUB CAP		2
5	219719	M6 X 16MM LONG HEXAGONAL STAINLESS STEEL HEAD BOLT		8
6	230048	26MM EXTERNAL CIRCLIP		1
7	219644	M5 FORM G STAINLESS STEEL WASHER		4
8	219345	12MM EXTERNAL CIRCLIP		2
	219647	M6 FORM G STAINLESS STEEL WASHER		8
9	219642	M6 STAINLESS STEEL NYLON INSERT NUT		4
10	291127	M6 X 35 LONG HEX BOLT STAINLESS STEEL		4
11	219870	M6 FORM A WASHER STAINLESS STEEL		4
12	204068	3 INCH GREY WHEEL		4
13	208727	DRIVE SHAFT		1
14	291079	6MM X 30MM STAINLESS STEEL ROLL PIN		1
15	219606	BRACKET SPACER		4
16	206013	BUFFER WHEEL PIN		2
17	208011	MOTOR MOUNTING SPACER		4
18	229025	STANDARD GROMMET		4
19	229382	REAR WHEEL PIN		2
20	392362	MOTOR ADAPTOR PLATE PAINT SILVER GREY		1
21	205245	AMER 100RPM MOTOR		1
22	223242	PLUNGER MOUNTING PLATE MOULDING		1
23	229128	PLUNGER		1
24	902556	SOLENOID MOUNT MOULDING		1
25	206236	PIVOT PIN		2
26	219639	M8 STAINLESS STEEL NYLON INSERT NUT		2
27	219890	M4 X 12MM LONG POZI PAN STAINLESS STEEL SCREW		4
28	219394	COMPRESSION SPRING		1
29	392249	DECK MOUNT RH		1
30	392248	DECK MOUNT BRACKET		1
31	902949	TERMINATED SOLENOID CABLE BLACK.125.0M5.2.24		1
32	291145	M4 SHAKEPROOF WASHER STAINLESS STEEL		2
33	219687	M4 STAINLESS STEEL NYLON INSERT NUT		2
34	291132	M5 X 16MM LONG STAINLESS STEEL POZI PAN SEMS SCREW		4
35	902353	M6 EXTERNAL SHAKEPROOF WASHER STAINLESS STEEL		8
36	230207	DIE CAST CHUCK MACHINED		1
37	219569	N68 X 1/2 INCH LONG POZIPAN STAINLESS STEEL PLASTITE SCREW		4
38	915212	0.47UF 310V CAPACITOR ASSEMBLY		1


Numatic International Limited (Head Office)

Chard, Somerset TA20 2GB, UNITED KINGDOM

Tel: 01460 68600 numatic.com

Numatic International GmbH

Fränkische Straße 15-19, 30455 Hannover, DEUTSCHLAND

Tel: +49 (0) 511 984 2160 numatic.de

Numatic International Denmark

Fränkische Straße 15-19, 30455 Hannover, DEUTSCHLAND

Tel: +45 (0) 316 40808 numatic-online.dk

Numatic International S.A.S

13/17 rue du Valengelier, EAE la Tuilerie, 77500 Chelles, FRANCE

Tel: +33 (0) 164 726 161 numatic.fr

Numatic International BV

Vennootsweg 15, 2404 CG, Alphen aan den Rijn, NEDERLAND

Tel: +31 (0) 172 467 999 numatic.nl

Numatic International Schweiz AG.

Sihlbruggstrasse 3A, 6340 Baar, SCHWEIZ

Tel: +41 (0) 41 768 0760 numatic.ch

Numatic International (PTY) Ltd.

Cnr. 16th & Pharmaceutical Road, Randjes Park, Midrand 1685, SOUTH AFRICA

Tel: +27 (0) 861 686 284 numatic.co.za

Numatic International ULDA

Rua Francisco da Silva Duarte, nº79,

4475-269 Santa Maria de Avioso, Castelo da Maia, PORTUGAL

Tel: +351 220 047 700 numatic.pt

Numatic International Spain, S.L.U.

Av. Baix Llobregat, 5-7, Oficina bajos 1 (Parc Negocis Mas Blau II)

08820 El Prat de Llobregat (Barcelona), SPAIN

Tel: +34 93 647 22 22 numatic.es

Numatic International Italy S.R.L

Via Luigi Galvani, 2, Z.I. Talponedo, 33080 Porcia (PN), ITALY

Tel: +39 (0) 434 046 211 numatic.it