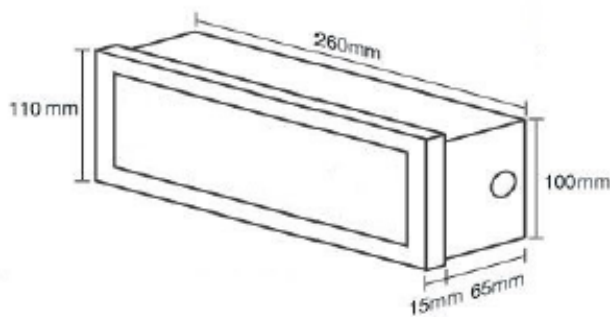


"Gas Discharge" Flashing Light XXSG-01340

SG-227EA / SG-FK5112 Fire Extinguishing System

The "GAS DISCHARGE" flashing type warning light is the visual alarm that is used to warn personnel outside the protected room that the fire detection agent release control panel of the extinguishing system has been activated, and it is in the mode that the fire suppression agent is going to or already released. This visual alarm is usually activated during the 2nd alarm mode of a cross-zones agent release control system.



Features

Durable - Tough industrial design constructed with mild steel

Accessible - Removable conduit plug offers easy conduit entries

Luminary: Ultra Bright LED

Type	"Gas Discharge" Flashing Light
Model	XXSG-01340
Country of Origin	Singapore
Casing	Mild Steel Plated Powder Coated White Finish
Luminary	Ultra Bright LED
Operating Voltage	24VDC
Operating Current	20mA (LED)

HOCHIKI ASIA PACIFIC PTE. LTD.

82 UBI Ave 4 #06-02

Edward Boustead Centre, Singapore 408832 TEL: 65-6841-9728 |

FAX: 65-6841-9781 URL : www.hochikiasiapacific.com

12/2022

Specifications subject to change without notice.