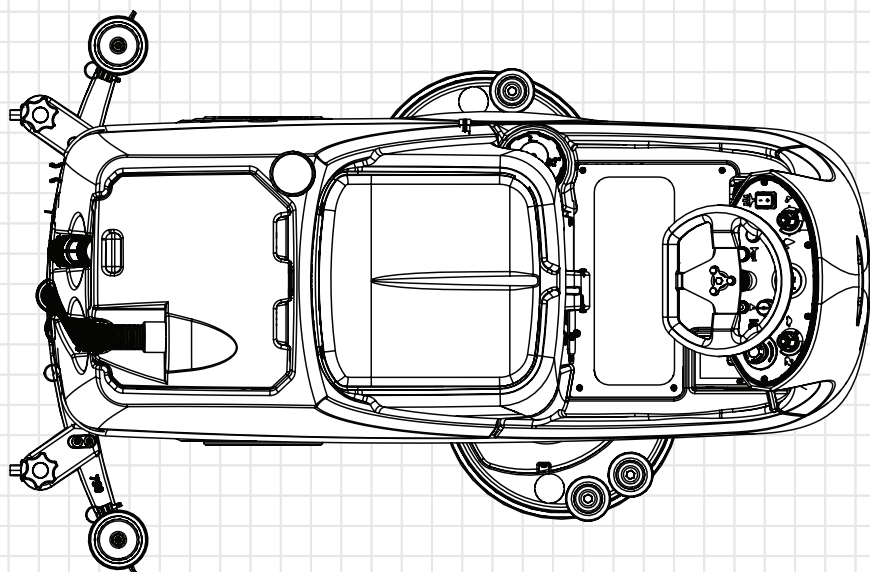
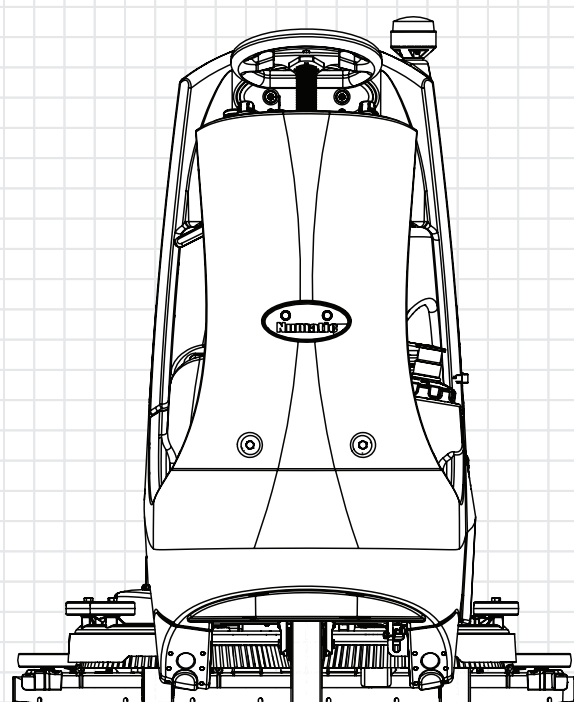
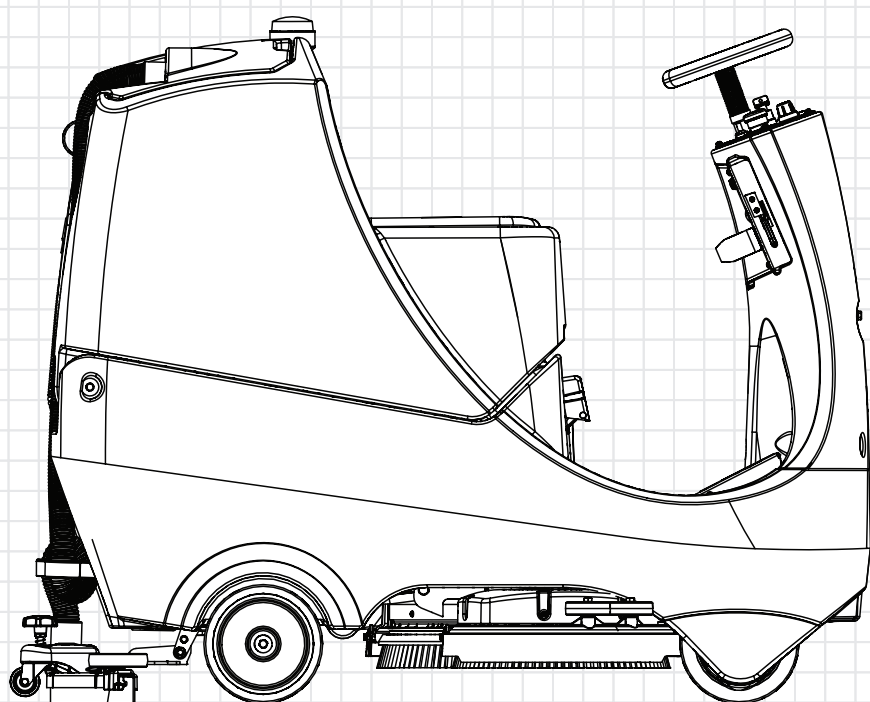


# CRL8072



## Service Engineer Exploded Drawings



### DISCLAIMER:

These drawings are for part order reference only and intended for service engineers use.

The installation of Genuine Numatic spare parts should only be executed by Certified Numatic service engineers who specialised and familiar with all relevant safety regulations.

Numatic International Ltd do not accept responsibility or liability for any loss or damage to property or person if repairs or servicing of products are carried out by non-certified persons.

Specifications and parts are subject to change without notice .

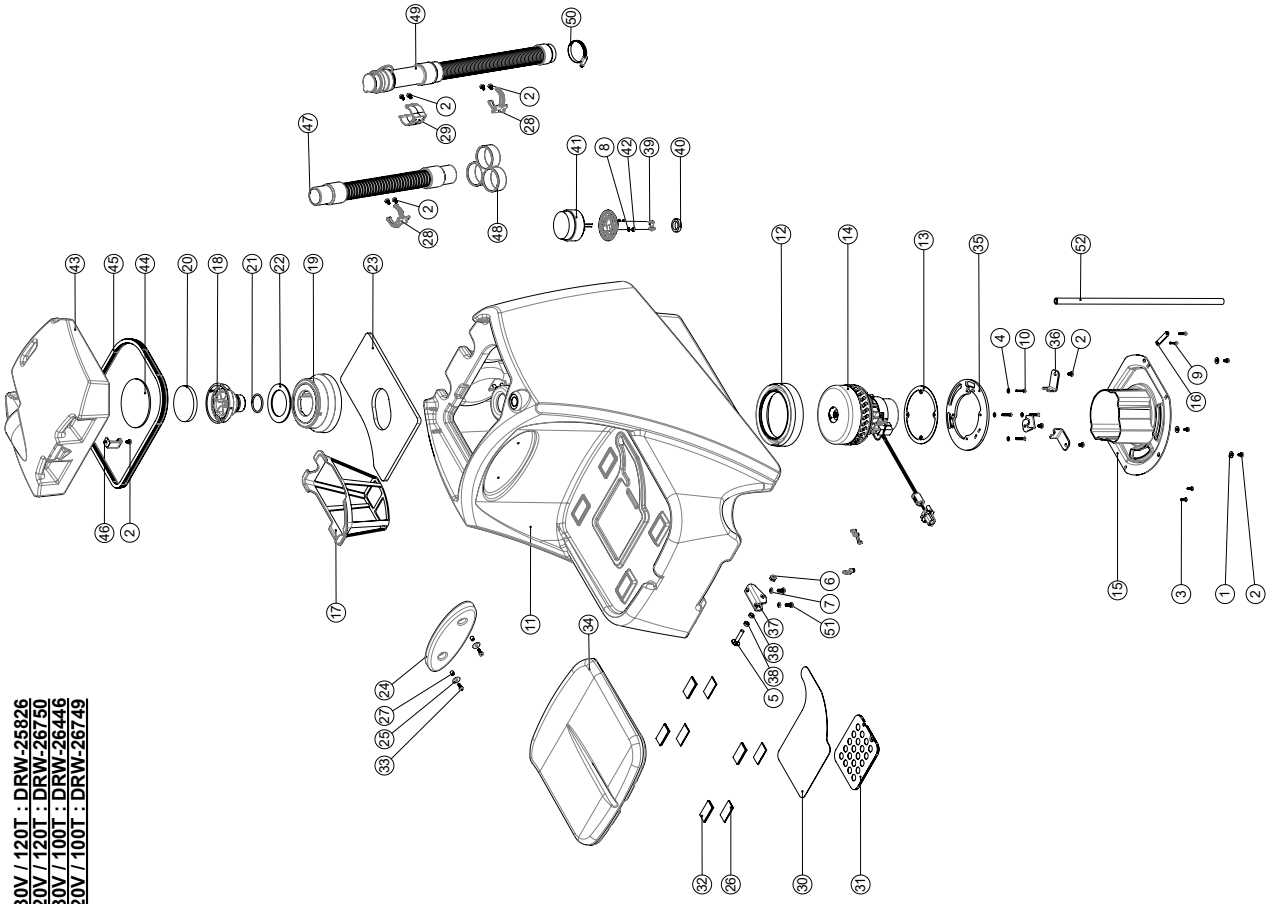
**Numatic International Spare Parts**

**Model No:** CRG8055 & CRG8072 TOP TANK ASSEMBLY

**NB: FOR WIRING SEE DRAWING:**

- 230V / 120T : DRW-25826
- 120V / 120T : DRW-26750
- 230V / 100T : DRW-26446
- 120V / 100T : DRW-26749

911732  
DRAWING: DRW-26084 ISS:A06  
18/11/201



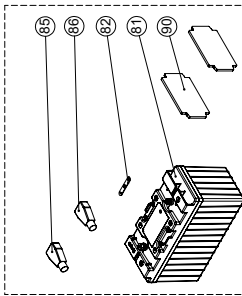
**Numatic International Spare Parts**

**Model No:** CRG8055 & CRG8072 TOP TANK ASSEMBLY

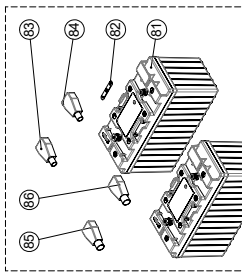
ITEM:	PART No:	DESCRIPTION	COMMENTS:	QTY
1	219644	M5 FORM G STAINLESS STEEL WASHER		3
2	291135	M5 X 10MM LONG STAINLESS STEEL POZI PAN SEMS SCREW		13
3	219669	N08 X 1/2 INCH LONG POZI PAN STAINLESS STEEL PLASTITTE SCREW		2
4	219355	M5 FORM A STAINLESS STEEL WASHER		4
5	291120	M8 X 40 CARRIAGE BOLT S/S		1
6	219639	M8 STAINLESS STEEL NYLON INSERT NUT		1
7	219870	M6 FORM A WASHER STAINLESS STEEL		2
8	219688	M4 FORM A STAINLESS STEEL WASHER		2
9	219668	N08.3/4 INCH LG. POZI-PAN SCREW STAINLESS STEEL PLASTITTE		2
10	219369	N08 X 1 INCH LONG POZI PAN STAINLESS STEEL PLASTITTE SCREW		4
11	903722	MINI RIDE ON TOP TANK GRAPHITE		1
12	202069	BOTTOM MOTOR GASKET		1
13	202139	MOTOR GASKET		1
14	323258	VAC MOTOR 24V WITH PLUG AND FERRITE		1
15	237620	EXHAUST DIVERTER MOULDING		1
16	392496	WIRE RETAINER		1
17	903542	GRIT FILTER BASKET (RED)		1
18	237618	AIR FILTER MOULDING		1
19	237619	VAC SHUT OFF MOULDING		1
20	208861	AIR FILTER		1
21	208860	O RING 39MM ID X 3.5MM DIA.		1
22	208858	LOWER SEALING RING		1
23	208980	CRO FOAM PAD		1
24	208864	BACK PAD MOULDING		1
25	291118	M5 STAINLESS STEEL WASHER 19MM OD		2
26	208865	VELCRO LOOP 50 X 25 SELF ADHESIVE BACKED		4
27	208475	8MM SPACER		2
28	237754	35-38MM HOSE CLIP		2
29	237382	ACETAL HOSE CLIP MOULDING		1
30	208983	SEAT SWITCH FLEXIBLE MEMBRANE		1
31	323290	PRESSURE PAD		1
32	280003	50MM X 25MM BACK TO BACK (HOOK & LOOP)		4
33	291132	M5 X 16MM LONG STAINLESS STEEL POZI PAN SEMS SCREW		2
34	208862	SEAT MOULDING		1
35	906638	CRO MOTOR MOUNT PLATE		1
36	906637	CRO VAC MOTOR SUPPORT BRACKET		3
37	392455	GAS STRUT BRACKET - CARRIAGE BOLT		1
38	291121	NYLON SPACER I/D 8.2MM X O/D 12MM X 5MM LG		2
39	237681	BEACON MOUNT		1
40	208894	32MM O/D X 22MM I/D X 7MM SELF ADHESIVE GASKET		1
41	N/A	FLASHING XENON BEACON X80 SERIES		1
42	219687	M4 STAINLESS STEEL NYLON INSERT NUT		2
43	903725	MINI RIDE ON SEPARATOR GRAPHITE		1
44	208899	UPPER SEALING DISC		1
45	304503	1045mm LONG SEALING STRIP		1
46	330200	CRO SEPARATOR BRACKET ASSY		1
47	213061	SUCTION HOSE 1330MM X Ø38MM		1
48	237718	HOSE GUIDE		1
49	902468	35MM X 180MM STRETCH HOSE (3:1) CW ADJUSTABLE CUFF + CAP		1
50	219919	32MM-50MM STAINLESS STEEL HOSE CLIP		1
51	219646	M6 X 16MM LONG POZI PAN STAINLESS STEEL SCREW		2
52	391528	EXHAUST DIVERTER DRAIN HOSE 500MM LG		1
53	237730	SPRING CLIP		2
54	219683	N06 X 3/8 INCH LONG POZI PAN BLACK COUNTERSUNK PLASTITTE SCREW		4

**Numatic International Spare Parts**  
**Model No:** CRL8055 & CRL8072 BOTTOM TANK ASSEMBLY

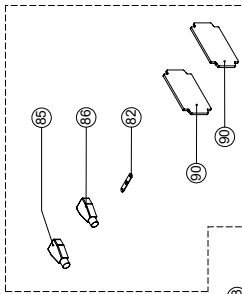
**1 BATTERY - 916215**



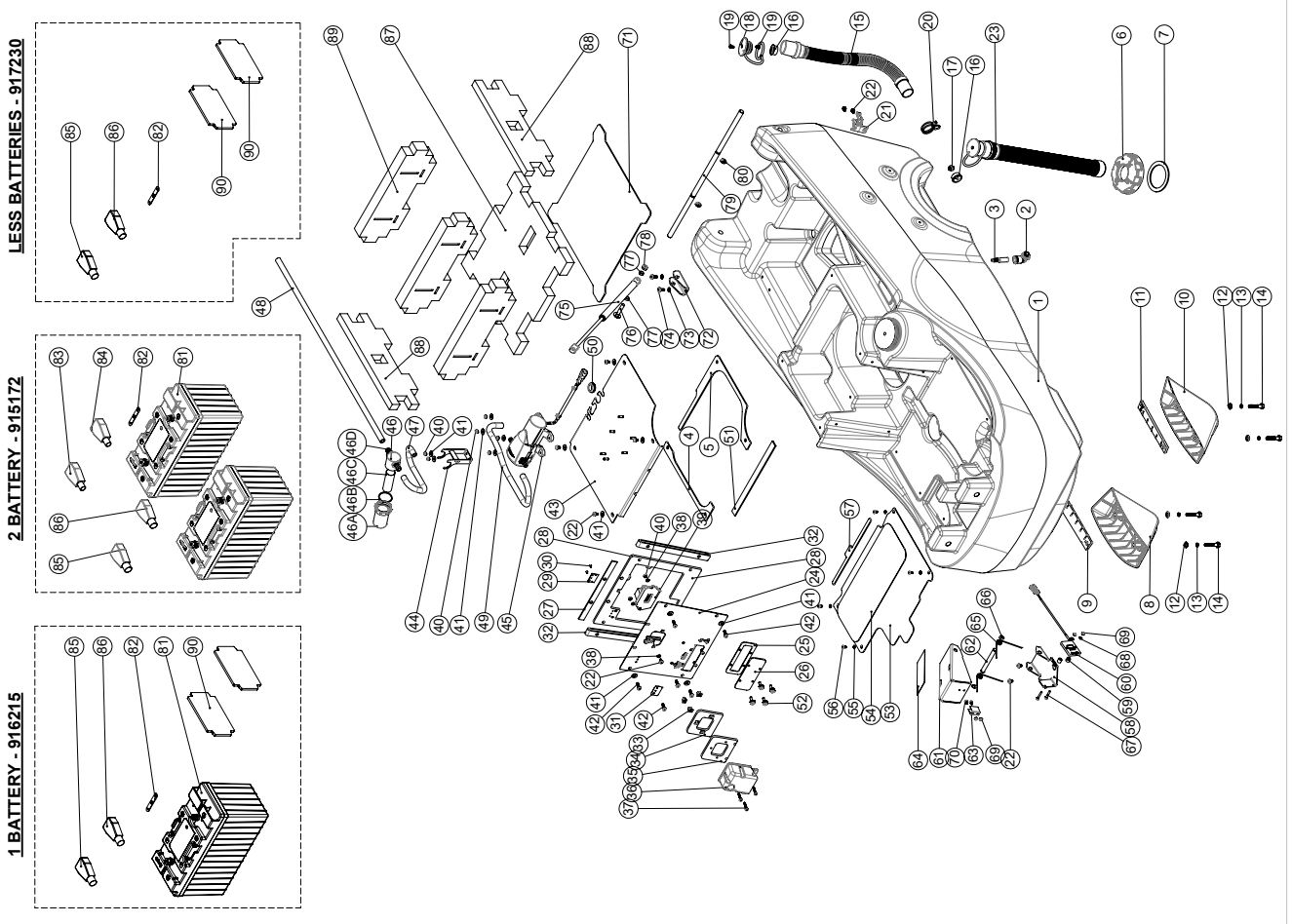
**2 BATTERY - 915172**



**LESS BATTERIES - 917230**



915172, 916215, 917230  
 DRAWING: DRW-38792 ISS:A07  
 08/07/2022 WIRING SEE DRAWING.



**Numatic International Spare Parts**

**Model No:** CRL8055 & CRL8072 BOTTOM TANK ASSEMBLY

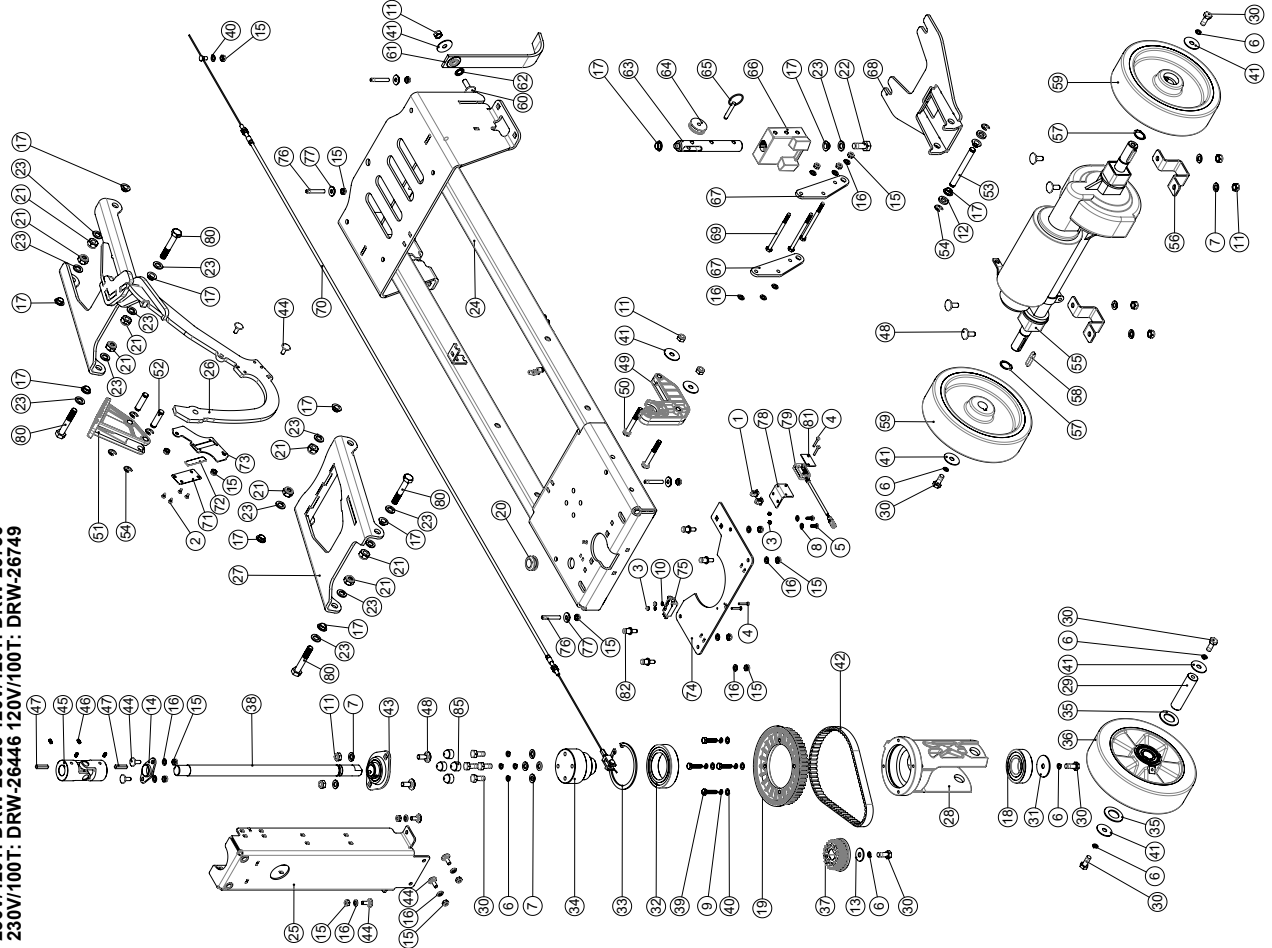
ITEM	ITEM No:	DESCRIPTION:	COMMENTS:	QTY:
1	237682	MINI RIDE ON BOTTOM TANK		1
2	901539	ELBOW ANGLE CONNECTOR 3/8 PARALLEL, THREAD C/W O-RING TO 12MM PUSH IN		1
3	901534	PUSH IN BARBED CONNECTOR - 12MM O.D. 8MM I.D.		1
4	203026	CRO PUMP PLATE GASKET LH		1
5	203027	CRO PUMP PLATE GASKET RH		1
6	237174	FILLER CAP WITH FILLER HOSE HOLE		1
7	205564	FILLER CAP SEALING RING		1
8	237184	BOTTOM TANK MOUNTING SPACERS		1
9	237685	BOTTOM TANK SCUFF MOUNTING RHS		1
10	237686	BOTTOM TANK SCUFF MOUNTING LHS		1
11	392465	LHS SCUFF MOUNTING SPACER		1
12	219576	M8 FORM A STAINLESS STEEL WASHER		4
13	219598	M8 SINGLE COIL STAINLESS STEEL WASHER		4
14	219599	M8 DOUBLE COIL STAINLESS STEEL WASHER		4
15	204332	25MM X 45MM LG. PUMP HOSE		2
16	904108	FLOAT STOP MOUNTING		2
17	904109	FLOAT MOUNTING		2
18	903341	32MM HOSE CAP RED (C/W 8MM HOLE)		2
19	904103	SPARE TIE WIRE BLACK		2
20	904104	SPARE TIE WIRE BLACK		2
21	901918	25mm HOSE CLIP		2
22	291135	M5 X 1.0MM LONG STAINLESS STEEL POZI PAN SEMS SCREW		9
23	903696	28MM X 370MM LONG 3.1 STRECH HOSE C/W RED CAP & STRAP		1
24	906657	ELECTRONICS FRONT COVER ASSY PAINTED SILVER (CRG)		1
25	906658	FUSE PANEL COVER		1
26	906659	FUSE PANEL COVER		1
27	906663	FRONT COVER TOP GASKET		1
28	906654	ELECTRONICS FRONT COVER SPACER PLATE (CRG)		1
29	280002	CHARGER LED DISPLAY PCB		1
30	219578	M7 X 6MM LONG SOZ PAN SCREW		2
31	280008	FRONT COVER PLATE GASKET		2
32	900986	NYLON GROMMET NUT (PLASTIC INSERT TO SUIT No. 8 PLASTIC SCREW)		3
33	904506	IEC SOCKET SPACER PP		3
34	904507	IEC SOCKET SECONDARY SPACER PP		3
35	904504	IEC SOCKET SECONDARY SPACER PP ASSEMBLY C/W FLAP		1
36	219579	M5 X 1.0MM LONG POZI PAN SEMS STEEL WASHER		7
37	219582	M5 X 1.0MM LONG POZI PAN SEMS STEEL WASHER		7
38	219555	M5 FORM A STAINLESS STEEL WASHER		3
39	906722	BRUSH ENGAGE PCB ASSEMBLY		1
40	219633	M5 STAINLESS STEEL NYLON INSERT NUT		1
41	219644	M5 FORM LG STAINLESS STEEL WASHER		1
42	219645	M5 FORM LG STAINLESS STEEL WASHER		1
43	392413	CRO PUMP AND FILTER PLATE CLINCH ROD (STAINLESS)		6
44	304521	FILTER PLATE ASSEMBLY		1
45	200278	WATER PUMP ASSEMBLY		1
46	200688	EXTENDED STRAINER		1
46A	200690	EXTENDED STRAINER CLEAR BOWL		1
46B	200690	STRAINER GASKET 60 MESH SCREEN		1
46C	200691	STRAINER BLACK TOP		1
46D	200692	STRAINER BLACK TOP		1
47	381525	CRO FILTER TO PUMP TUBE 300MM LG		1
48	391526	CRO TANK TO FLOW DIVIDER TUBE 470MM LG		1
49	904296	CRO PUMP TO FLOW DIVIDER TUBE 700MM LG		1
50	219534	GROMMET		1
51	904301	MIM (MIM) UNISEAL TYPE 3950 (270MM)		1
52	904304	MIM (MIM) UNISEAL TYPE 3950 (270MM)		1
53	392421	FOOT PLATE		4
54	200698	ANTI SLIP TREAD PAD (SELF ADHESIVE)		1
55	219016	M5 SHAKEROOF WASHER		1
56	291004	M5 X 1.0MM LONG 5 PANLESS STEEL BUTTON HEAD SCREW		4
57	219577	M5 X 1.0MM LONG 5 PANLESS STEEL BUTTON HEAD SCREW		4
58	390344	ACCELERATOR SPRING PLATE		1
59	219574	NYLON SPACER		2
60	N/A	GILL SENSOR ASSEMBLY C/W EDAG 5 WAY PLUG		1
61	390340	ACCELERATOR PEDAL COVER		1
62	308476	CIRCUIT BOARD		1
63	903555	ACTIVATOR PLATE - PAINTED SILVER GREY		1
64	903555	ACCELERATOR GRIP PAD (RED)		2
65	200047	TORSION SPRING (LEFT HAND)		2
66	219566	10MM EXTERNAL CIRCUIT		2
67	291165	M3 X 25MM LONG POZI SCREW STAINLESS STEEL		4
68	219639	M4 STAINLESS STEEL NYLON INSERT NUT		4
69	219639	M4 STAINLESS STEEL NYLON INSERT NUT		4
70	219697	M4 X 8MM LONG POZI PAN STAINLESS STEEL SCREW		2
71	392501	BATTERY PLATE		2
72	392456	GAS STRUT BRACKET - CARRIAGE BOLT		2
73	219570	M5 X 1.0MM LONG POZI PAN STAINLESS STEEL SCREW		2
74	219570	M5 X 1.0MM LONG POZI PAN STAINLESS STEEL SCREW		2
75	200607	GAS STRUT C/W END FITTINGS 100MM		1
76	281120	M8 X 40 CARRIAGE BOLT S/S		1
77	281121	NYLON SPACER I/D 8.2MM X O/D 12MM X 5MM LG		2
78	219639	M5 STAINLESS STEEL NYLON INSERT NUT		2
79	219639	M5 STAINLESS STEEL NYLON INSERT NUT		2
80	200072	PLASTIC FIXING RING		2
81	911948	INX1K BATTERY (LFP)	LESS BATTERIES QTY x 0 BATTERY QTY x 1	2
82	N/A	CANBUS HLO CONNECTOR PCB		1
83	906147	RED BATTERY TERMINAL COVER (415N8F02)	LESS BATTERIES & 1-BATTERY QTY x 0	1
84	906148	BLACK BATTERY TERMINAL COVER (415N8F14)	LESS BATTERIES & 1-BATTERY QTY x 0	1
85	915218	RED BATTERY TERMINAL COVER (415N0V02) (19.05MM DIA)		1
86	915219	BLACK BATTERY TERMINAL COVER (415N0V04) (19.05MM DIA)		1
87	915081	CRG8055/72 SLOTTED BATTERY TRAY - BASE (25mm)		1
88	915073	CRG8055/72 SLOTTED BATTERY TRAY - WALL (20mm)		1
89	915072	CRG8055/72 SLOTTED BATTERY TRAY - WALL (33mm)		1
90	916202	SINGLE BATTERY FOAM SPACER	LESS BATTERIES & 1-BATTERY CONFIG ONLY	2

**Numatic International Spare Parts**

**Model No:** CRG8055 & CRG8072 CHASSIS ASSEMBLY

911730  
DRAWING: DRW-26083 ISS:A08  
18/11/201

NB: FOR WIRING SEE DRAWING:  
230V/120T: DRW-25826 120V/120T: DRW-26750  
230V/100T: DRW-26446 120V/100T: DRW-26749



**Numatic International Spare Parts**

**Model No:** CRG8055 & CRG8072 CHASSIS ASSEMBLY

ITEM	PART No	DESCRIPTION	QTY	COMMENTS:
1	900986	NYLON GROMMET NUT (PLASTIC INSERT TO SUIT No 8 PLASTITE SCREW)	1	
2	208963	SNAP BLACK RIVET (REF SR-3056B)	4	
3	291154	M3 NYLON INSERT NUT - STAINLESS STEEL	4	
4	291154	M3 X 20MM LONG POZI PAN SCREW STAINLESS STEEL	4	
5	219569	No8 X 1/2 INCH LONG POZI PAN STAINLESS STEEL PLASTITE SCREW	4	
6	219888	M8 SINGLE COIL STAINLESS STEEL WASHER	10	
7	219578	M8 FORM A STAINLESS STEEL WASHER	10	
8	219355	M5 FORM A STAINLESS STEEL WASHER	4	
9	219718	WASHER M6 SPRING STAINLESS STEEL	2	
10	219501	M3 FORM A STAINLESS STEEL WASHER	9	
11	219639	M8 STAINLESS STEEL NYLON INSERT NUT	2	
12	219964	NYLON WASHER (18MM O/D X 10.4MM I/D X 3MM THICK)	1	
13	219716	M8 FORM G STAINLESS STEEL WASHER	2	
14	208110	IGUS (R) 2 BOLT PLAIN BEARING 20MM ID	20	
15	219642	M6 STAINLESS STEEL NYLON INSERT NUT	20	
16	219870	M6 FORM A WASHER STAINLESS STEEL	12	
17	208330	IGUS BEARING (GFM 101206)	16	
18	208878	BEARING ID30MM O/D62MM	1	
19	237680	LARGE PULLEY 56TH	1	
20	208143	20MM GROMMET X 6MM PANEL THICKNESS	1	
21	219897	M10 STAINLESS STEEL NYLON INSERT NUT	8	
22	291141	M10 X 25MM LG HEX HEAD SCREW STAINLESS STEEL C/W THREADLOCK	13	
23	291163	NYLON WASHER 18MM O/D X 10.5MM I/D X 2MM	1	
24	906674	CRG CHASSIS WELD ASSEMBLY PAINTED SILVER	1	
25	906647	STEERING COLUMN SUPPORT ASSEMBLY PAINTED SILVER	1	
26	906681	DECK LINK & PEDAL ARM WELD ASSY (CRG) ZIPL	1	
27	906688	PEDAL LINK ARM WELD ASSEMBLY (CRG) ZIPL	1	
28	208989	STEERING YOKE	1	
29	291110	AXLE 20MM O/D X 77MM LONG	10	
30	291140	M8 X 20MM LG HEX HEAD SCREW STAINLESS STEEL C/W THREADLOCK	10	
31	392361	STEERING WASHER	1	
32	208671	BEARING ID50MM O/D60MM	1	
33	208672	SPRINGER SPRING	1	
34	291162	M10 FORM B STAINLESS STEEL WASHER	2	
35	204126	MICKS 200 X 50MM ALU WHEEL	1	
36	204126	MICKS 200 X 50MM ALU WHEEL	1	
37	237679	SMALL PULLEY 22TH	1	
38	906648	LOWER STEERING SHAFT (CRG)	1	
39	219925	M6 X 22MM LONG STAINLESS STEEL HEX SCREW	4	
40	219560	M6 FORM B STAINLESS STEEL WASHER	5	
41	219877	M8 X 30 STAINLESS STEEL WASHER	7	
42	208897	BELT (GATES-GT3 560 8MGT 15MM)	1	
43	208884	2 PART PRESSED FLANGE BEARING	1	
44	291103	M6 X 16 COACH BOLT S/S	8	
45	206936	UNIVERSAL JOINT	1	
46	219784	M5 X 8MM LONG BLACK OXIDISED GRUB SCREW	4	
47	905374	UNIVERSAL JOINT KEY	2	
48	291104	M8 X 20 COACH BOLT S/S	6	
49	237677	LATCH MOULDING	1	
50	291157	M8 X 60MM LONG HEX BOLT STAINLESS STEEL	2	
51	903860	PEDAL MOULDING (RED)	2	
52	291097	38 X 10MM BAR (E TYPE CLIP)	2	
53	291098	94 X 10MM BAR (E TYPE CLIP)	6	
54	291107	E TYPE CLIP (TO SUIT 10mm BAR)	1	
55	205190	530MM ASI TRANSAXLE 21:1 HIGH SPEED (MK400)	2	
56	329780	TRANSAXLE CLAMP	2	
57	219889	19MM HEAVY DUTY CIRCLIP	2	
58	206744	6MM X 6MM X 32MM FEATHER KEY	2	
59	901209	200 X 50 TRACTION WHEEL (PLASTIC)	2	
60	902010	M8 X 25 COACH BOLT S/S	1	
61	903683	ANTI-STATIC STRAP (CUT TO LENGTH: 270MM LONG)	1	
62	291062	M10 INTERNAL LOCK WASHER STAINLESS STEEL	1	
63	291100	SQUEEGEE PIVOT BAR	1	
64	208698	NYLON PULLEY 32MM OD	1	
65	206953	DETENT PINS	1	
66	237676	MULTI BLOCK MOULDING	1	
67	392436	PIVOT SIDE PLATE	2	
68	304516	MOOSE PLATE WELD ASSEMBLY	1	
69	291021	M6 X 90MM LONG STAINLESS STEEL HEXAGONAL HEAD BOLT	3	
70	291099	CRG 8055 SQ. LIFT CABLE	1	
71	906662	MAGNET COVER (CRG)	1	
72	906661	MAGNET (50 X 10 X 15mm)	1	
73	906669	CRG SWITCH PLATE	1	
74	906692	IP RATED MICROSWITCH	1	
75	208982	IP RATED MICROSWITCH WITH ROLLER	1	
76	291158	M6 X 10MM LONG GRUB SCREW STAINLESS STEEL C/W THREADLOCK	4	
77	219647	M6 FORM G STAINLESS STEEL WASHER	4	
78	906653	CRG REED SWITCH ASSEMBLY	1	
79	904501	REED SWITCH ASSEMBLY	1	
80	219894	M10 X 60MM LONG HEXAGONAL STAINLESS STEEL BOLT	4	
81	906617	REED SWITCH WASHER PLATE	4	
82	907241	M6 X 15 RIVET STD	4	
83	237730	SPRING CLIP	2	
84	219683	No6 X 3/8 INCH LONG POZI PAN BLACK COUNTERSUNK PLASTITE SCREW	4	
85	903260	M8 BOLT AND NUT CAP	4	

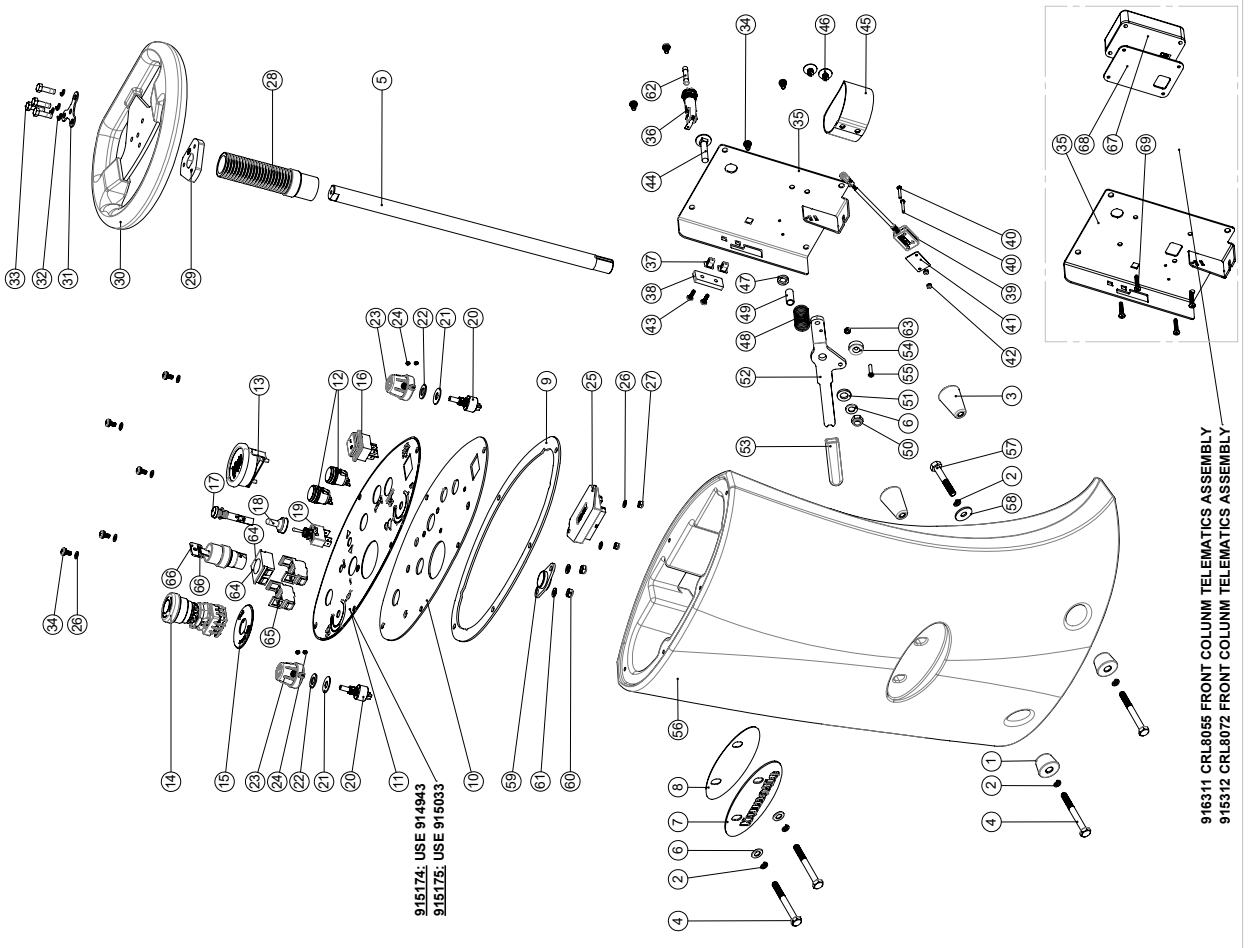
# Numatic International Spare Parts

Model No: CRL8055 & CRL8072 FRONT COLUMN ASSEMBLY

NB: FOR WIRING SEE DRAWING:

DRW-39647 - CRL8055 & CRL8072 LFP120V/2 BATTERY  
 DRW-39800 - CRL8055 & CRL8072 LFP230V/2 BATTERY

915174, 915175, 916311, 916312  
 DRAWING: DRW-38793 ISS:A07  
 19/04/2023



916311 CRL8055 FRONT COLUMN TELEMATICS ASSEMBLY  
 915312 CRL8072 FRONT COLUMN TELEMATICS ASSEMBLY

# Numatic International Spare Parts

Model No: CRL8055 & CRL8072 FRONT COLUMN ASSEMBLY

ITEM No:	DESCRIPTION:	COMMENTS:	QTY:
1	208904 TAPERED BUSH (CLEARANCE)		2
2	219898 M8 SINGLE COIL STAINLESS STEEL WASHER		5
3	208903 TAPERED BUSH (TAPPED)		2
4	902517 M8 X 70MM LONG HEX BOLT STAINLESS STEEL		4
5	906649 UPPER STEERING SHAFT (CRG)		1
6	219578 M8 FORM A STAINLESS STEEL WASHER		3
7	392433 NUMATIC NAME PLATE	NACECARE ONLY	1
8	906731 NAME PLATE SPACER (RED PIP)		1
9	203040 CRG CONTROL PANEL GASKET (LOWER)		1
10	906632 CRG CONTROL PANEL C/W CLINCH STUDS PAINTED SILVER		1
11	914943 CRL8055 CONTROL PANEL OVERLAY	915174 ONLY	1
12	915033 CRL8072 CONTROL PANEL OVERLAY	915175 ONLY	2
13	906658 SEALED PUSHBUTTON SWITCH SINGLE POLE		1
14	914748 NORD (LFP) BATTERY HOUR METER 24V (MODEL: 1428.306.01 BDI NE306 CAN NUMATIC)	O-RING INCLUDED	1
15	904087 EMERGENCY STOP (XV17E-BV412MFR)		1
16	902235 SWITCH DP-ST RED ILLUMINATED WITH MEMBRANE 24V		1
17	907298 24V LED GREEN INDICATOR (H0275OSSG6)		1
18	206785 SWITCH COVER C/W NUT		1
19	206786 SWITCH		1
20	270316 POTENTIOMETER TYPE P630 22k OHMS 20% 3W (WITH PANEL SEAL) (ROUND SHAFT WITH FLAT / NO SLOT IN SHAFT END)		2
21	904084 SPEED CONTROL GASKET		2
22	219803 M10 FORM A STAINLESS STEEL WASHER		2
23	903498 SPEED ADJUSTMENT KNOB C/W INSERT (RED)		2
24	219744 M4 X 6MM LONG BLACK OXIDISED GRUB SCREW		4
25	904179 Terminal Block Assembly		1
26	219355 M5 FORM A STAINLESS STEEL WASHER		7
27	219633 M5 STAINLESS STEEL NYLON INSERT NUT		2
28	280023 STEERING SHAFT COVER HOSE 135MM LONG		1
29	404214 STEERING WHEEL PLATE		1
30	208900 GSL 255MM STEERING WHEEL		1
31	392500 STEERING WHEEL TOP PLATE		1
32	219718 WASHER M6 SPRING STAINLESS STEEL		4
33	291144 M6 X 20MM LG HEX HEAD SCREW STAINLESS STEEL C/W THREAD LOCK		4
34	291135 M5 X 10MM LG STAINLESS STEEL POZI PAN SEMS SCREW		9
35	906634 CRO FLOOR TOOL LIFTING HANDLE BRACKET WELD ASSY		1
36	916227 [TELEMATICS] CRL FLOOR TOOL LIFTING HANDLE BRACKET WELD ASSY	916311 and 916312	1
37	900998 BULGIN PANEL MOUNT FUSEHOLDER		1
38	906635 NYLON GROMMET NUT (PLASTIC INSERT TO SUIT No 8 PLASTITITE SCREW)		2
39	904501 REED SWITCH ASSEMBLY		1
40	291155 M3 X 20MM LONG POZI PAN SCREW STAINLESS STEEL		2
41	906617 REED SWITCH WASHER PLATE		1
42	291154 M3 NYLON INSERT NUT STAINLESS STEEL		2
43	219569 M6 X 1/2 INCH LONG POZI PAN STAINLESS STEEL PLASTITITE SCREW		2
44	291120 M8 X 40 CARRIAGE BOLT S/S		1
45	906639 BOTTLE PLATE (RED)		2
46	208024 PUSH IN BARBED FASTENER		1
47	906640 CARRIAGE BOLT SPACER		1
48	219592 COMPRESSION SPRING		1
49	906651 SPACER (S/S) 10MM O/D 8MM I/D X 22MM LONG		1
50	219639 M8 STAINLESS STEEL NYLON INSERT NUT		1
51	219684 NYLON WASHER (18MM O/D X 10.4MM I/D X 3MM THICK)		1
52	392431 FLOOR TOOL LIFTING HANDLE		1
53	906870 LEVER HANDLE MOULDING RED		1
54	208382 MAGNET (19MM O/D)		1
55	907092 M4 X 20MM LG. POZI CSK SCREW (STAINLESS STEEL)		1
56	903721 MINI RIDE ON STEERING COLUMN GRAPHITE		1
57	906704 M8 X 50MM LONG HEX BOLT STAINLESS STEEL		1
58	219716 M8 FORM G STAINLESS STEEL WASHER		1
59	208110 IGUS (R) 2 BOLT PLAIN BEARING 20MM I/D		2
60	219642 M6 STAINLESS STEEL NYLON INSERT NUT		2
61	219870 M6 FORM A WASHER STAINLESS STEEL		2
62	903066 FUSE 2.5A (6.3x32)		1
63	219687 M4 STAINLESS STEEL NYLON INSERT NUT		1
64	907150 FIXING ADAPTER (020G)		1
65	907151 TERMINAL BLOCK N.O. (020E10)		2
66	907149 KEY SWITCH SELECTOR (020SCAT)		1
67	912615 TELEMATICS MODULE ASSEMBLY - GRAPHITE GREY	907208 SPARE KEY	1
68	912151 ADHESIVE PAD - TELEMATICS	916311 and 916312	1
69	219369 M6 X 1 INCH LONG POZI PAN STAINLESS STEEL PLASTITITE SCREW	916311 and 916312	4

**Numatic International Spare Parts**

750 TWINTEC ALUMINIUM FLOOR TOOL (38MM HOSE, RED TRIM, SERILOR BLADES)

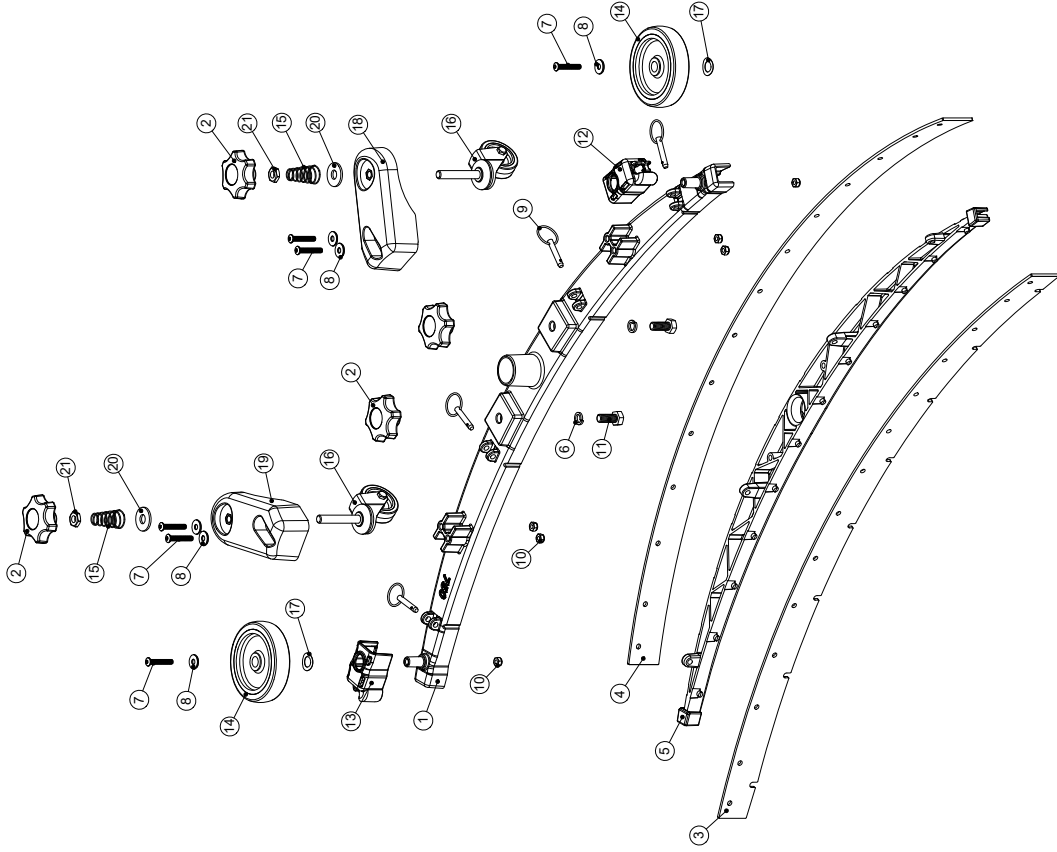
903853

DRAWING: DRW-23157 ISS:A07  
27/03/2019

Internal Code:

PRO

NB: FOR WIRING SEE DRAWING: WD-07??



**Numatic International Spare Parts**

Model No : 750 TWINTEC ALUMINIUM FLOOR TOOL (38MM HOSE, RED TRIM, SERILOR BLADES)

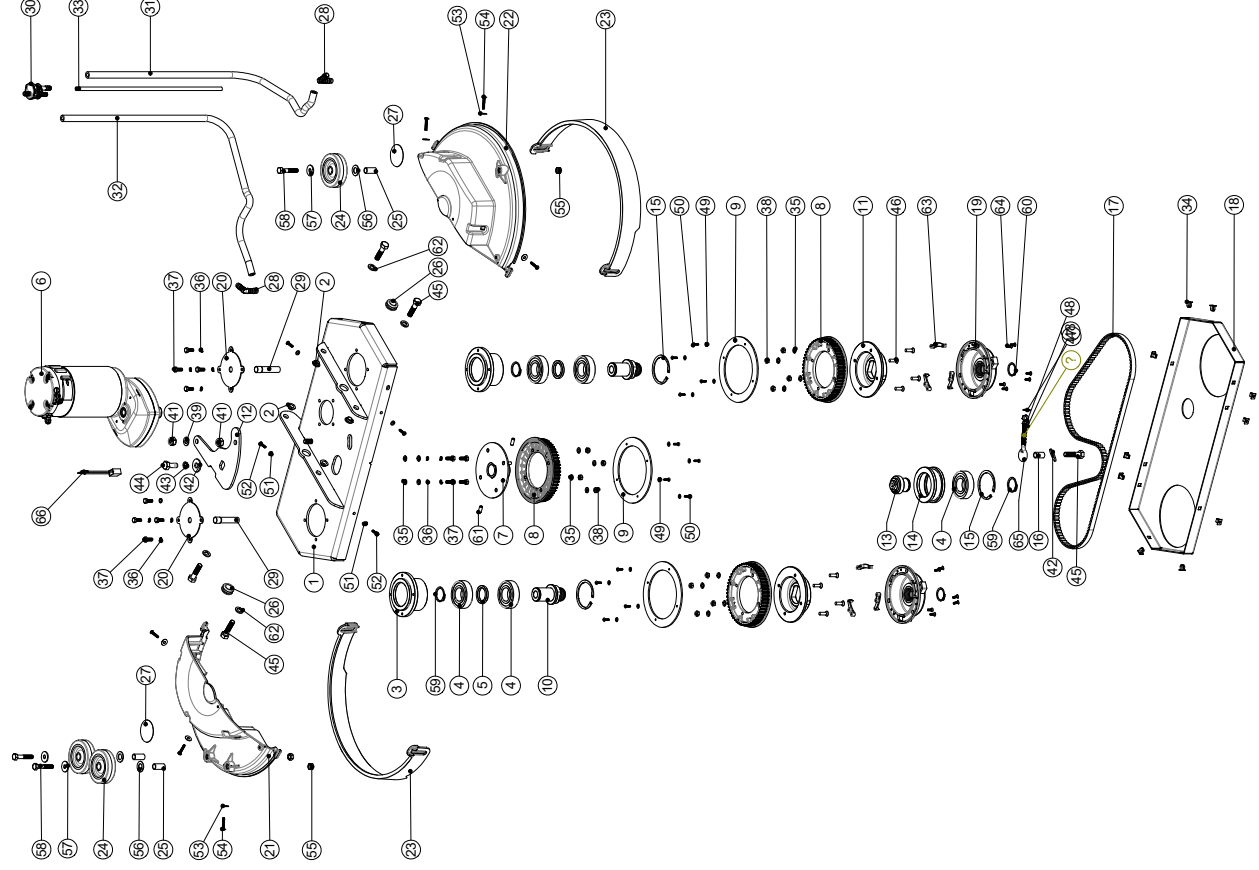
ITEM:	PART No:	DESCRIPTION	QTY.
1	208637	(750MM SCRUB WIDTH) ALUMINIUM SQUEEGEE CASTING (38MM HOSE FITTING)	1
2	903281	M10 LOBE KNOB (RED)	4
3	208988	750MM SCRUB WIDTH REPLACEMENT FRONT BLADE (968MM LONG)	1
4	208971	750MM SCRUB WIDTH REPLACEMENT REAR BLADE (1000MM LONG)	1
5	903848	(750MM SCRUB WIDTH) RED BLADE HOLDER MouldING (SLOPING PROFILE) (32MM & 38MM HOSE FITTING)	1
6	219899	M10 SINGLE COIL STAINLESS STEEL WASHER	2
7	219933	M6 X 35MM SOCKET BUTTON HEAD BOLT STAINLESS STEEL	6
8	219647	M6 FORM G STAINLESS STEEL WASHER	6
9	206953	DETENT PINS	4
10	219642	M6 STAINLESS STEEL NYLON INSERT NUT	6
11	219909	M10 X 25MM LONG HEXAGONAL STAINLESS STEEL SCREW	2
12	237322	RIGHT HAND FLOOR TOOL CLIP MouldING	1
13	237323	LEFT HAND FLOOR TOOL CLIP MouldING	1
14	208796	4 INCH WHEEL	2
15	229175	CONICAL SPRING	2
16	907759	50MM DIAMETER GREY TPR TYRED SWIVEL CASTOR C/W M10 X 60 SWAGED STEM.	2
17	219891	13MM WAVEY WASHER	2
18	906860	ADJUSTABLE FLOOR TOOL CASTOR PLASTIC PLATE LEFT	1
19	906859	ADJUSTABLE FLOOR TOOL CASTOR PLASTIC PLATE RIGHT	1
20	291124	M10 PENNY WASHER STAINLESS STEEL	2
21	219951	A4 (STAINLESS STEEL) M10 HEX LOCK NUT (HALF NUT)	2

# Numatic International Spare Parts

Model No: CRL8072 BRUSH DECK

915672  
DRAWING: DRW-39786 ISS:A01  
10/08/2022

NB: FOR WIRING SEE DRAWING:  
230V 120Ah: DRW-25826 230V / 100T : DRW-26446  
120V 120Ah: DRW-26749 120V / 100T : DRW-26749



# Numatic International Spare Parts

Model No: CRL8072 BRUSH DECK

ITEM:	PART No:	Description:	Comments:	QTY:
1	903617	TWIN BRUSH DECK WELD ASSY ZINC PLATED		1
2	208330	IGUS BEARING (GFM 101208)		4
3	903420	BEARING HOUSING		2
4	208878	BEARING I/D30MM O/D62MM		5
5	903439	SPACER O/D.40MM X I/D 30MM X 5MM		1
6	205192	MRP6 IP20 AMER MOTOR		1
7	904836	BRUSH MOTOR PULLEY PLATE WELD ASSY ZINC PLATED		1
8	237680	LARGE PULLEY 66TH		1
9	903423	PULLEY FLANGE PLATE		3
10	903421	BRUSH PULLEY SHAFT		2
11	903440	PULLEY MOUNTING ADAPTER		2
12	903619	TENSIONER PIVOT PLATE ZINC PLATED		1
13	903419	TENSIONER SHAFT		1
14	903424	IDLER		1
15	230200	62MM INTERNAL CIRCLIP		3
16	903429	1/2 INCH DIA X 18G S/S TUBE (0.022)		1
17	903438	BELT (GATES G14 - 1440 - 8MGT - 12)		1
18	903428	TWIN BRUSH DECK - MAIN PLATE COVER		1
19	230285	MODIFIED CHUCK (CRO)		2
20	903432	TWIN BRUSH WATER FEED PLATE		2
21	903433	TWIN BRUSH RH DECK Moulding		1
22	903434	TWIN BRUSH LH DECK Moulding		1
23	903437	TWIN BRUSH DECK SPLASH SKIRT		2
24	204068	3 INCH GREY WHEEL		3
25	391224	1/2 INCH DIA X 18G S/S TUBE (0.026)		3
26	208143	20MM GROMMET X 6MM PANEL THICKNESS		2
27	903845	DO NOT STAND HERE WARNING LABEL Ø50MM		2
28	903641	10MM HOSETAIL ELBOW		2
29	903446	MOTOR SHAFT INSERT		2
30	903445	FLOW DIVIDER ASSY		1
31	903447	LH SOLUTION TUBE		1
32	903448	RH SOLUTION TUBE		1
33	903463	VENT TUBE		1
34	900986	NYLON GROMMET NUT (PLASTIC INSERT TO SUIT No 8 PLASTITE SCREW)		10
35	219870	M6 FORM A WASHER STAINLESS STEEL		16
36	219718	WASHER M6 SPRING STAINLESS STEEL		12
37	219719	M6 X 16MM LONG HEXAGONAL STAINLESS STEEL HEAD BOLT		12
38	219642	M6 STAINLESS STEEL NYLON INSERT NUT		12
39	219903	M10 FORM A STAINLESS STEEL WASHER		2
40	219909	M10 X 25MM LONG HEXAGONAL STAINLESS STEEL SCREW		1
41	219897	M10 STAINLESS STEEL NYLON INSERT NUT		2
42	291124	M10 PENNY WASHER STAINLESS STEEL		2
43	219899	M10 SINGLE COIL STAINLESS STEEL WASHER		1
44	291141	M10 X 25MM LG HEX HEAD SCREW STAINLESS STEEL C/W THREADLOCK		1
45	906868	M10 X 40MM LONG HEX BOLT STAINLESS STEEL		5
46	903441	M6 X 20MM LONG STAINLESS STEEL COUNTERSUNK POZI SCREW		8
47	219578	M8 FORM A STAINLESS STEEL WASHER		1
48	219079	M8 PLAIN NUT		2
49	219688	M4 FORM A STAINLESS STEEL WASHER		12
50	291061	N06 X 1/2 INCH LONG POZI PAN PLASTITE SCREW (STAINLESS STEEL)		12
51	219355	M5 FORM A STAINLESS STEEL WASHER		4
52	219568	N08.34 INCH LG. POZI-PAN SCREW STAINLESS STEEL PLASTITE		4
53	219644	M5 FORM G STAINLESS STEEL WASHER		6
54	219369	N08 X 1 INCH LONG POZI PAN STAINLESS STEEL PLASTITE SCREW		6
55	219639	M8 STAINLESS STEEL NYLON INSERT NUT		3
56	219302	M12 FORM B STAINLESS STEEL WASHER		3
57	219716	M8 FORM G STAINLESS STEEL WASHER		3
58	906867	M8 X 45MM LONG HEX BOLT STAINLESS STEEL		3
59	903435	30MM EXTERNAL CIRCLIP		3
60	230048	26MM EXTERNAL CIRCLIP		2
61	291139	6MM X 16MM STAINLESS STEEL ROLL PIN		2
62	291163	NYLON WASHER 18MM O/D X 10.5MM I/D X 2MM		4
63	237730	SPRING CLIP		6
64	219683	N06 X 3/8 INCH LONG POZI PAN BLACK COUNTERSUNK PLASTITE SCREW		12
65	914423	M8 X 70mm Eye Bolt Zinc Plated		1
66	915440	SUPPRESSOR 0.68uF 310V X1 CAPACITOR & M6 RING TERMINALS		1

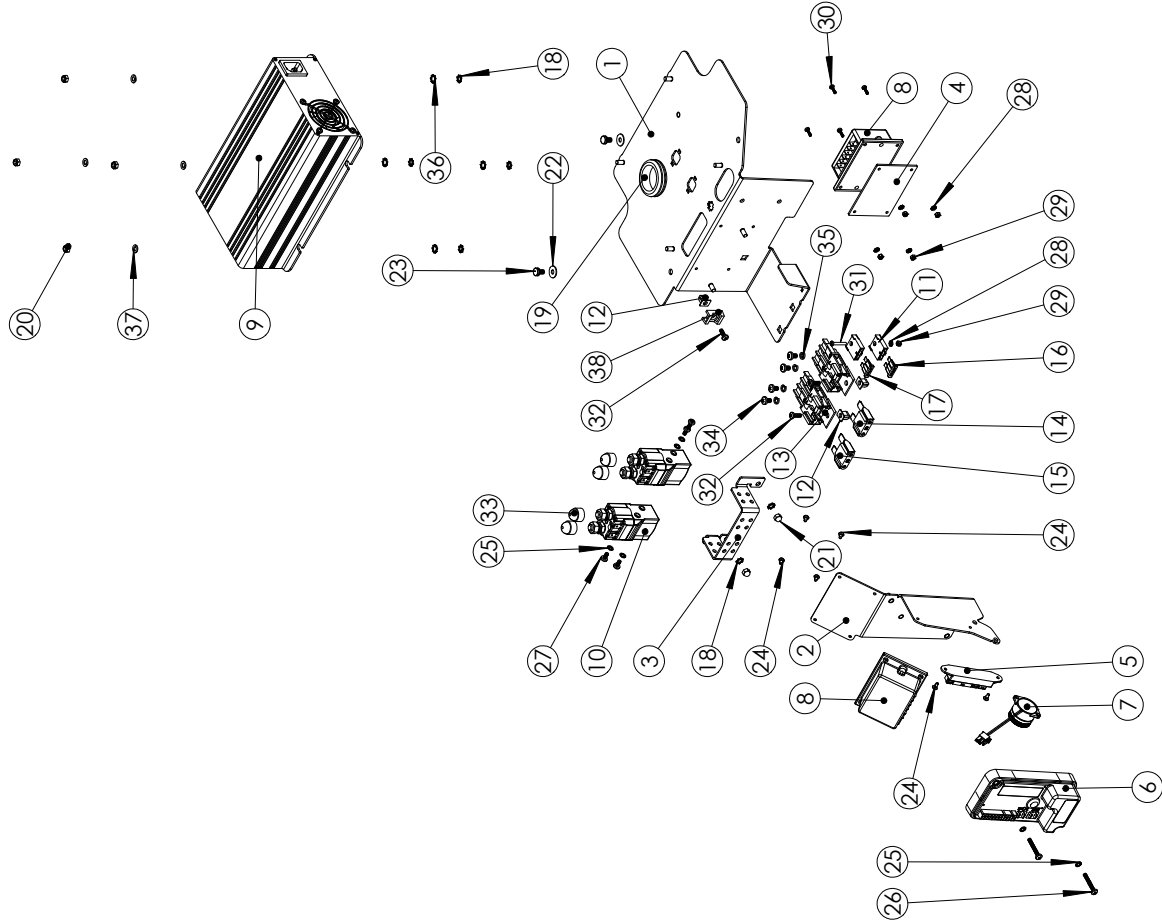
**Numatic International Spare Parts**

**Model No.:** CRL 8055/8072 LFP CHARGER ASSEMBLY

**NB: FOR WIRING SEE DRAWING:**

230V: DRW-39600  
120V: DRW-39647

916332  
DRAWING: DRW-40778 ISS:A01  
08/02/2023



**Numatic International Spare Parts**

**Model No.:** CRL 8055/8072 LFP CHARGER ASSEMBLY

ITEM:	PART No.	Description	Comments	QTY.
1	906644	CHARGER PLATE CW CLINCH STUDS PAINTED SILVER		1
2	906642	MOTOR CONTROLLER PLATE ASSEMBLY PAINTED SILVER		1
3	906650	CONTACTOR BRACKET (CRG) M/S PAINTED SILVER		1
4	906660	MOTOR CONTROLLER ALI PLATE		1
5	208909	POTTED TERMINAL BLOCK ASSEMBLY		1
6	906686	PROGRAMMED 70A MOTOR CONTROLLER (CRG)		1
7	906671	24V DC BUZZER CW CONNECTOR		1
8	905341	KEMO PWM POWER CONTROL 10A M171		2
9	914042	CHARGER, 24V LFP		1
10	903736	24V ALBRIGHT CONTACTOR (SU60-2009)		2
11	906564	ATO FUSE HOLDER (FKH SERIES)		2
12	900986	NYLON GROMMET NUT (PLASTIC INSERT TO SUIT No 8 PLASTITE SCREW)		3
13	230102	FUSE HOLDER RATED AT 60 AMPS		2
14	230104	30 AMP MAXI FUSE		1
15	221091	20 AMP MAXI FUSE		1
16	906573	10 AMP FUSE		1
17	905570	4 AMP FUSE		1
18	291020	M5 STAINLESS STEEL EXTERNAL SHAKEPROOF LOCK WASHER		8
19	208029	GROMMET (32MM I/D)		1
20	219633	M5 STAINLESS STEEL NYLON INSERT NUT		4
21	219645	M5 STAINLESS STEEL DOME NUT		4
22	219644	M5 FORM G STAINLESS STEEL WASHER		2
23	291135	M5 X 10MM LONG STAINLESS STEEL POZI PAN SEMS SCREW		2
24	208963	SNAP BLACK RIVET (REF SR-3056B)		6
25	291145	M4 SHAKEPROOF WASHER STAINLESS STEEL		6
26	219913	M4 X 30MM LONG POZI PAN STAINLESS STEEL SCREW		2
27	219697	M4 X 8MM LONG POZI PAN STAINLESS STEEL SCREW		4
28	904219	M3 STAINLESS STEEL EXTERNAL SHAKEPROOF WASHER		5
29	291154	M3 NYLON INSERT NUT STAINLESS STEEL		5
30	902534	M3 X 10MM LONG POZI PAN SCREW STAINLESS STEEL		4
31	291155	M3 X 20MM LONG POZI PAN SCREW STAINLESS STEEL		1
32	219569	No8 X 1/2 INCH LONG POZI PAN STAINLESS STEEL PLASTITE SCREW		3
33	903260	M8 BOLT AND NUT CAP		4
34	219864	M5 X 8MM LONG POZI-PAN SCREW ZIPL		4
35	219861	M5 SINGLE COIL STAINLESS STEEL WASHER		4
36	902353	M6 EXTERNAL SHAKEPROOF WASHER STAINLESS STEEL		4
37	219355	M5 FORM A STAINLESS STEEL WASHER		4
38	220904	CABLE CLIP PLATFORM		1





### **Numatic International Limited (Head Office)**

Chard, Somerset TA20 2GB, UNITED KINGDOM

Tel: 01460 68600 numatic.com

### **Numatic International GmbH**

Fränkische Straße 15-19, 30455 Hannover, DEUTSCHLAND

Tel: +49 (0) 511 984 2160 numatic.de

### **Numatic International Denmark**

Fränkische Straße 15-19, 30455 Hannover, DEUTSCHLAND

Tel: +45 (0) 316 40808 numatic-online.dk

### **Numatic International S.A.S**

13/17 rue du Valengelier, EAE la Tuilerie, 77500 Chelles, FRANCE

Tel: +33 (0) 164 726 161 numatic.fr

### **Numatic International BV**

Vennootsweg 15, 2404 CG, Alphen aan den Rijn, NEDERLAND

Tel: +31 (0) 172 467 999 numatic.nl

### **Numatic International Schweiz AG.**

Sihlbruggstrasse 3A, 6340 Baar, SCHWEIZ

Tel: +41 (0) 41 768 0760 numatic.ch

### **Numatic International (PTY) Ltd.**

Cnr. 16th & Pharmaceutical Road, Randjes Park, Midrand 1685, SOUTH AFRICA

Tel: +27 (0) 861 686 284 numatic.co.za

### **Numatic International ULDA**

Rua Francisco da Silva Duarte, nº79,

4475-269 Santa Maria de Avioso, Castelo da Maia, PORTUGAL

Tel: +351 220 047 700 numatic.pt

### **Numatic International Spain, S.L.U.**

Av. Baix Llobregat, 5-7, Oficina bajos 1 (Parc Negocis Mas Blau II)

08820 El Prat de Llobregat (Barcelona), SPAIN

Tel: +34 93 647 22 22 numatic.es

### **Numatic International Italy S.R.L**

Via Luigi Galvani, 2, Z.I. Talponedo, 33080 Porcia (PN), ITALY

Tel: +39 (0) 434 046 211 numatic.it