

WBV370NX Operating Guide

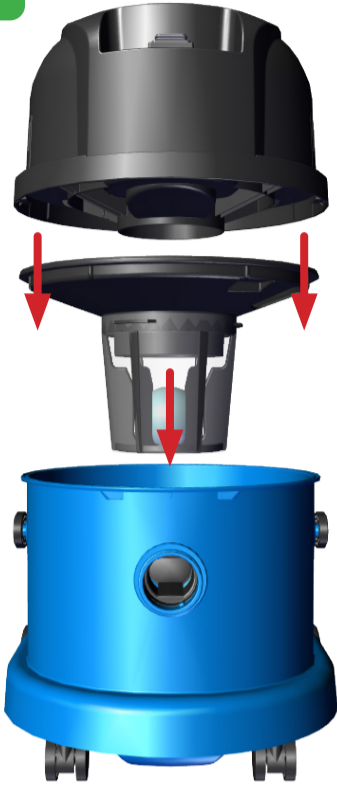
Wet or Dry Battery Vacuum



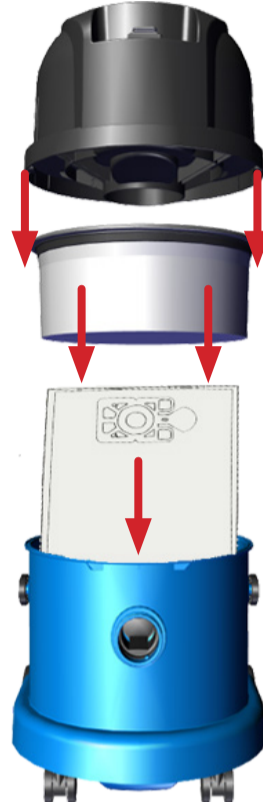
START



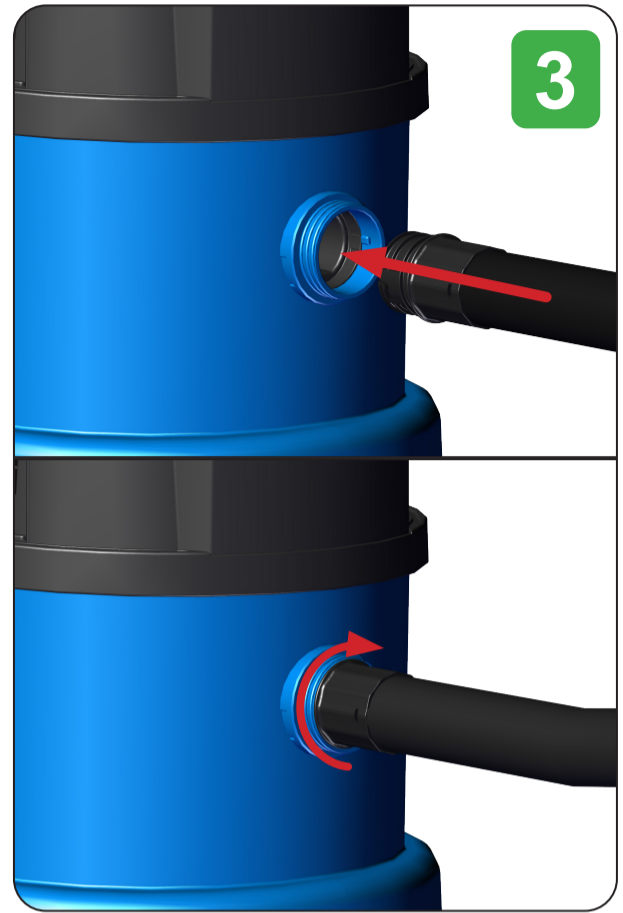
1 Wet Set-Up



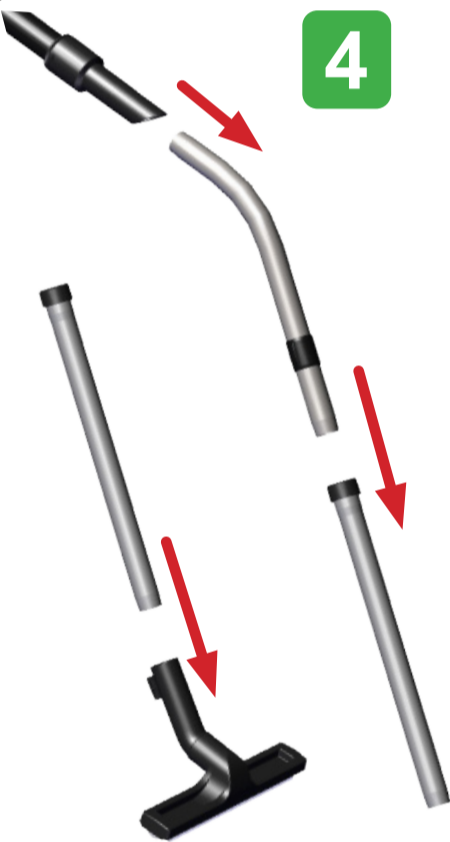
2 Dry Set-Up



3



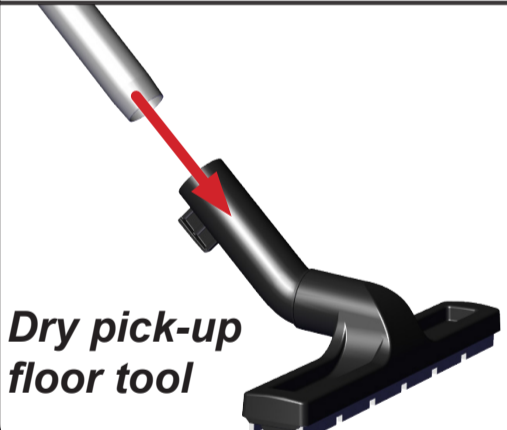
4



5



Wet pick-up floor tool

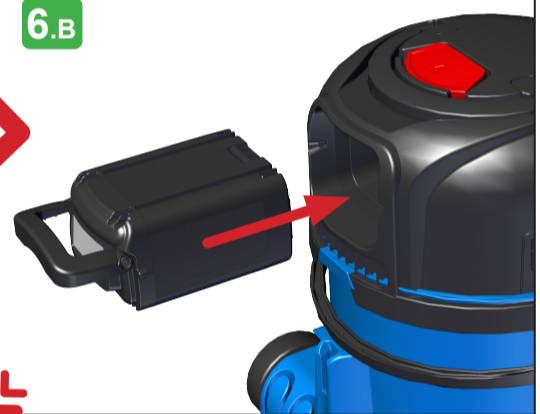


Dry pick-up floor tool

6.A



6.B



6.C



6.D



7



8



Place the NX300 battery on charge after each use.

