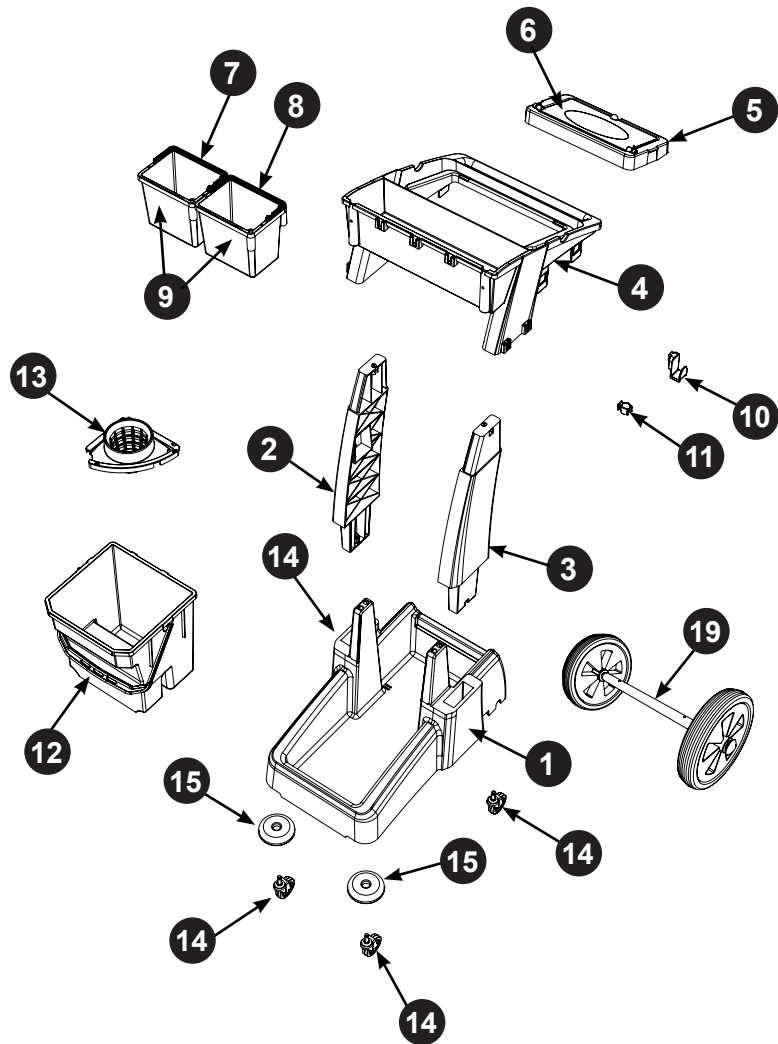


Exploded Spares MM-2



| Number | Description | Part Number | Quantity |
|------------------------|---------------------------------------|-------------|----------|
| 1 | Reflo Base | 915029 | 1 |
| 2 | Left Hand Upright | 914907 | 1 |
| 3 | Right Hand Upright | 914906 | 1 |
| 4 | Handle Frame | 913982 | 1 |
| 5 | Bag Securing | 913978 | 1 |
| 6 | Lid | 913979 | 1 |
| 7 | Red Handle | 905149 | 1 |
| 8 | Blue Handle | 905150 | 1 |
| 9 | 5 Litre Bucket | 223565 | 2 |
| 10 | Versaclean Hook T Slot x 10 | 912547 | 1 |
| 11 | 22mm Mid Mop Clamp x 10 | 629883 | 1 |
| 12 | 28 Litre Bucket- Blue Handle | 905218 | 1 |
| 13 | Twistmop Wringer | 906866 | 1 |
| 14 | Castors | 204118 | 4 |
| 15 | Buffers | 227479 | 2 |
| 16 | M8 x 25mm Socket Bolt | 219555 | 4 |
| 17 | 70-Litre Waste Bags (Roll of 10) | 908230 | 1 |
| Big Wheel Only: | | | |
| 18 | No 6 X 1 3/8 Inch Long Pozi Pan Screw | 219848 | 2 |
| 19 | Replacement Axle Wheel Assembly | 915320 | 1 |

| | |
|-------------|--------|
| Revision | A03 |
| Part Number | 915050 |