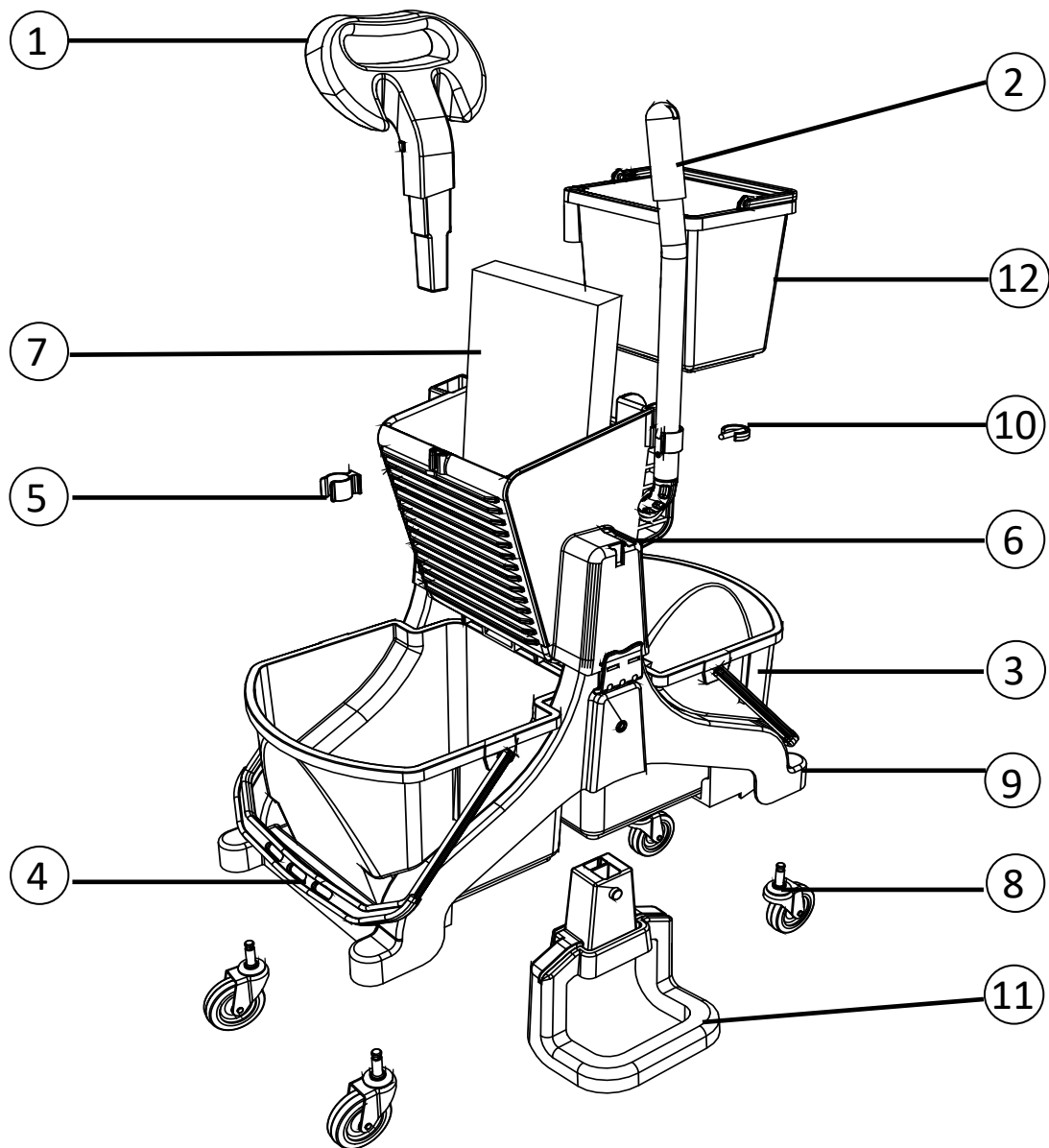


MMB-1616



ITEM	PART	DESCRIPTION	QTY
1	909677	MIDMOP HANDLE COMPLETE (BLACK)	1
2	902094	PRESS HANDLE COMPLETE (SILVER)	1
3	905733	16 LTR PAIL GREY(RE D HANDLE)	1
4	905734	16 LTR PAIL GREY(BLUE HANDLE)	1
5	629874	22MM MIDMOP CLAMP	1
6	909904	PRESS ASSEMBLY WITH FOAM (BLACK)	1
7	223569	FOAM PRESSURE PAD	1
8	204118	75MM CASTORS	4
9	909672	MID MOP BASE ASSEMBLY(BLACK)	1
10	206394	UNIVERSAL CLIP	1
11	909920	MID MOP FLAT MOP STAND (BLACK)	1
12	905225	5 LTR SWING PAIL GREY (RED HANDLE)****OPTIONAL EXTRA	—

