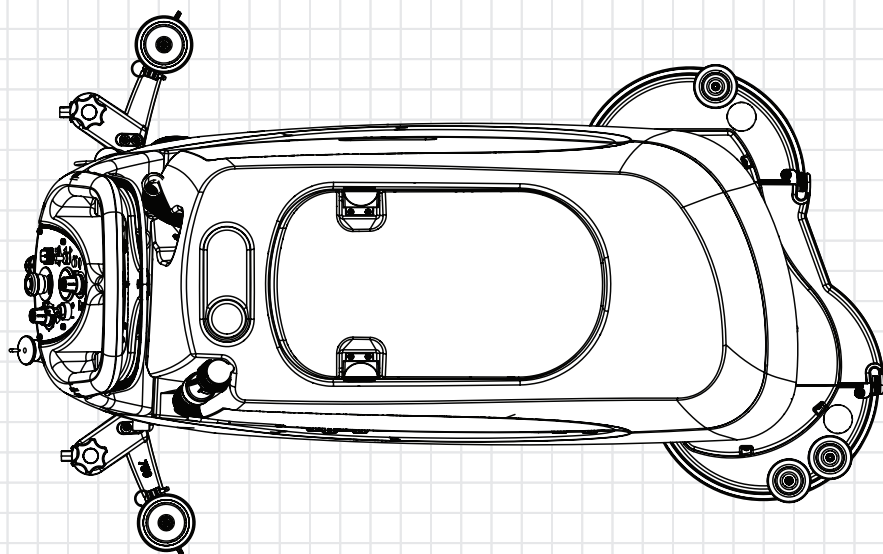
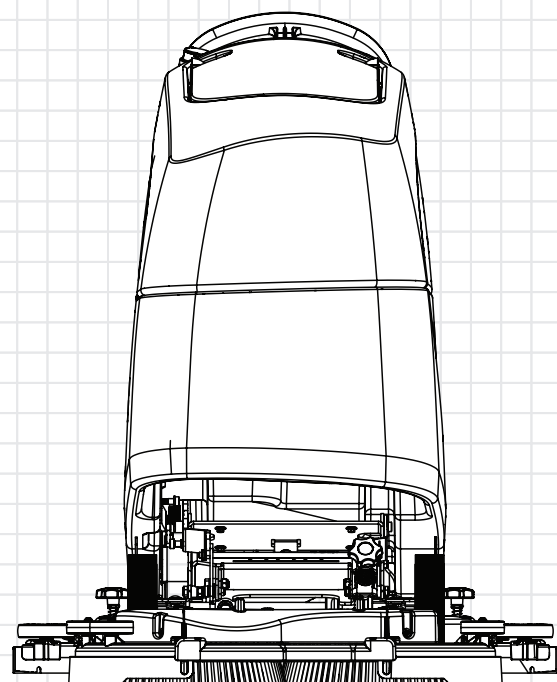
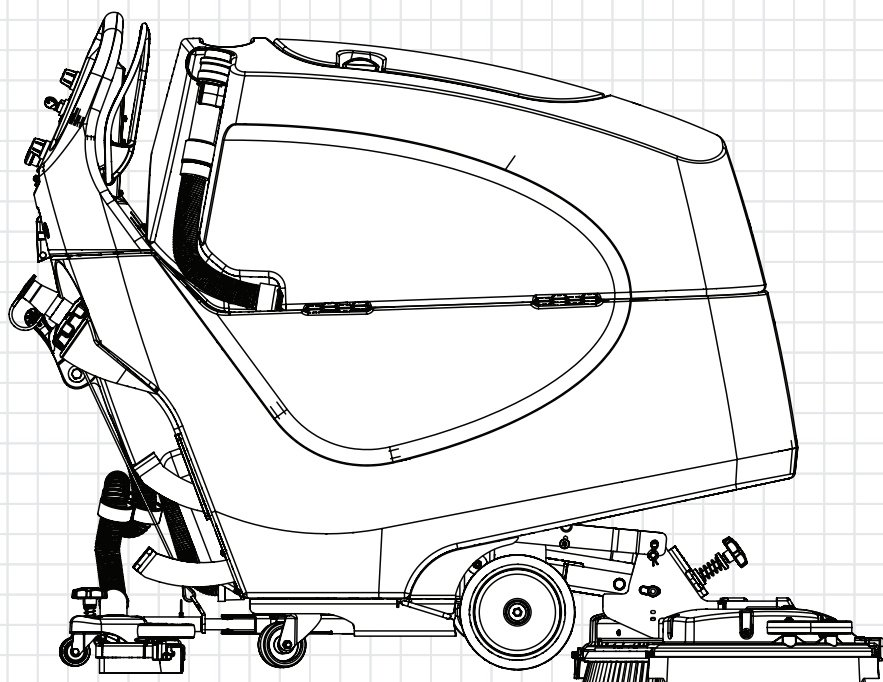


# TGB8572T



## Service Engineer Exploded Drawings



### DISCLAIMER:

These drawings are for part order reference only and intended for service engineers use.

The installation of Genuine Numatic spare parts should only be executed by Certified Numatic service engineers who specialised and familiar with all relevant safety regulations.

Numatic International Ltd do not accept responsibility or liability for any loss or damage to property or person if repairs or servicing of products are carried out by non-certified persons.

Specifications and parts are subject to change without notice.

**HAFTUNGSAUSSCHLUSS:****DE**

Diese Zeichnungen dienen nur als Referenz für Teilebestellungen und sind nur für den Gebrauch durch Servicetechniker bestimmt.

Die Montage von originalen Numatic-Ersatzteilen darf nur von zertifizierten Numatic-Servicetechnikern ausgeführt werden, die mit allen relevanten Sicherheitsvorschriften vertraut sind.

Numatic International Ltd übernimmt keine Verantwortung oder Haftung für Verluste oder Schäden an Eigentum oder Personen, wenn Reparaturen oder Wartungsarbeiten an Produkten von nicht zertifizierten Personen durchgeführt werden.

Technische Daten und Teile können ohne vorherige Ankündigung geändert werden.

**CLAUDE DE NON-RESPONSABILITÉ:****FR**

Ces schémas sont fournis à titre de référence de commande de pièces uniquement et sont destinés aux techniciens de maintenance.

L'installation de pièces de rechange Numatic d'origine doit être effectuée uniquement par des techniciens de maintenance Numatic certifiés spécialisés et familiarisés avec toutes les règles de sécurité applicables.

Numatic International Ltd décline toute responsabilité en cas de perte ou de dommage matériel ou personnel si des réparations ou l'entretien des produits sont effectués par des personnes non certifiées.

Les spécifications et les pièces sont susceptibles d'être modifiées sans préavis.

**DISCLAIMER:****NL**

Deze tekeningen zijn uitsluitend bedoeld als referentie voor het bestellen van onderdelen en voor gebruik door servicemonteurs.

De installatie van originele reserveonderdelen van Numatic mag alleen worden uitgevoerd door gecertificeerde servicemonteurs van Numatic die gespecialiseerd zijn en bekend zijn met alle relevante veiligheidsvoorschriften.

Numatic International Ltd aanvaardt geen verantwoordelijkheid of aansprakelijkheid voor verlies of schade aan eigendommen of personen als reparaties of onderhoud aan producten worden uitgevoerd door niet-gecertificeerde personen.

Specificaties en onderdelen kunnen zonder voorafgaande kennisgeving worden gewijzigd.

**RENÚNCIA DE RESPONSABILIDADE:****PT**

Estes desenhos servem apenas como referência para a encomenda de peças e destinam-se a ser utilizados pelos técnicos de assistência.

A instalação de peças sobresselentes genuínas da Numatic só deve ser efetuada por técnicos de assistência certificados da Numatic que se especializem e familiarizem com todos os regulamentos de segurança relevantes.

A Numatic International Ltd não aceita qualquer responsabilidade por perdas ou danos materiais ou pessoais se as reparações ou a manutenção dos produtos forem efetuadas por pessoas não certificadas.

As especificações e as peças estão sujeitas a alterações sem aviso prévio.

**ESCLUSIONE DI RESPONSABILITÀ:****IT**

Questi disegni sono forniti solo come riferimento per l'ordine dei componenti e sono destinati all'uso da parte dei tecnici dell'assistenza.

L'installazione di ricambi originali Numatic deve essere eseguita esclusivamente da tecnici dell'assistenza certificati Numatic specializzati e a conoscenza di tutte le norme di sicurezza pertinenti.

Numatic International Ltd non si assume alcuna responsabilità per eventuali perdite o danni alla proprietà o alle persone se le riparazioni o la manutenzione dei prodotti vengono eseguite da persone non certificate.

Le specifiche e le parti sono soggette a modifiche senza preavviso.

**EXENCIÓN DE RESPONSABILIDAD:****ES**

Estos esquemas solo se muestran como referencia para pedir piezas y para su uso por parte de ingenieros de mantenimiento.

La instalación de recambios originales de Numatic solo deben realizarla los ingenieros de mantenimiento homologados de Numatic que estén especializados y familiarizados con las normativas de seguridad pertinentes.

Numatic International Ltd no acepta la responsabilidad de cualquier pérdida o daño a la propiedad o a las personas si las reparaciones o el mantenimiento de los productos se llevan a cabo por personas sin certificación.

Las especificaciones y piezas están sujetas a cambios sin previo aviso.

**ZASTRZEŻENIE:****PL**

Rysunki te służą wyłącznie do celów referencyjnych podczas zamawiania części i są przeznaczone do użytku przez inżynierów serwisowych.

Montaż oryginalnych części zamiennych Numatic powinien być wykonywany wyłącznie przez certyfikowanych serwisantów firmy Numatic, którzy posiadają odpowiednie kwalifikacje i znają wszystkie odpowiednie przepisy bezpieczeństwa.

Firma Numatic International Ltd nie ponosi odpowiedzialności za jakiegokolwiek straty lub szkody majątkowe i osobiste, jeśli naprawy lub serwisowanie produktów są przeprowadzane przez osoby nieposiadające certyfikatu.

Dane techniczne i części mogą zostać zmienione bez powiadomienia.

**FRISKRIVNINGSKLAUSUL:****SV**

Dessa ritningar är endast avsedda för referens vid beställning av reservdelar och är avsedda för servicetekniker.

Installation av originalreservdelar från Numatic får endast utföras av certifierade Numatic-servicetekniker som specialiserar sig på och känner till alla relevanta säkerhetsföreskrifter.

Numatic International Ltd påtar sig inget ansvar för förlust eller skada på egendom eller person om reparationer eller service av produkter utförs av icke-certifierade personer.

Specifikationerna och produktens delar kan ändras utan föregående meddelande.

**VASTUUVAPAUCLAUSEKE:****FI**

Nämä piirrokset on tarkoitettu ainoastaan osien tilaamisen avuksi ja ainoastaan huoltoinsinöörin käyttöön.

Aitoja Numatic-varaosia saavat asentaa vain sertifioidut Numatic-huoltoinsinöörit, jotka ovat perehtyneet kaikkiin asiaankuuluviin turvamääräyksiin.

Numatic International Ltd ei ole vastuussa mistään omaisuus- tai henkilövahingoista, jos sertifioidut henkilöt ovat korjanneet tai huoltaneet tuotteita.

Teknisiä ominaisuuksia ja osia voidaan muuttaa ilman erillistä ilmoitusta.

**ANSVARFRASKRIVELSE:****DA**

Disse tegninger er kun til reference for reservedelsordrer og er beregnet til serviceteknikere.

Montering af originale Numatic-reservedele må kun udføres af certificerede Numatic-serviceteknikere, der er specialiseret i og har kendskab til alle relevante sikkerhedsbestemmelser.

Numatic International Ltd påtager sig intet ansvar for tab eller skade på ejendom eller person, hvis reparationer eller service på produkter foretages af ikke-certificerede personer.

Specifikationer og dele kan ændres uden varsel.

**Numatic International Spare Parts**

**Model No:** TGB 8572 TOP TANK ASSY

Internal Code: 905416  
 DRAWING: DRW-24711 ISS:A08  
 11/10/2022

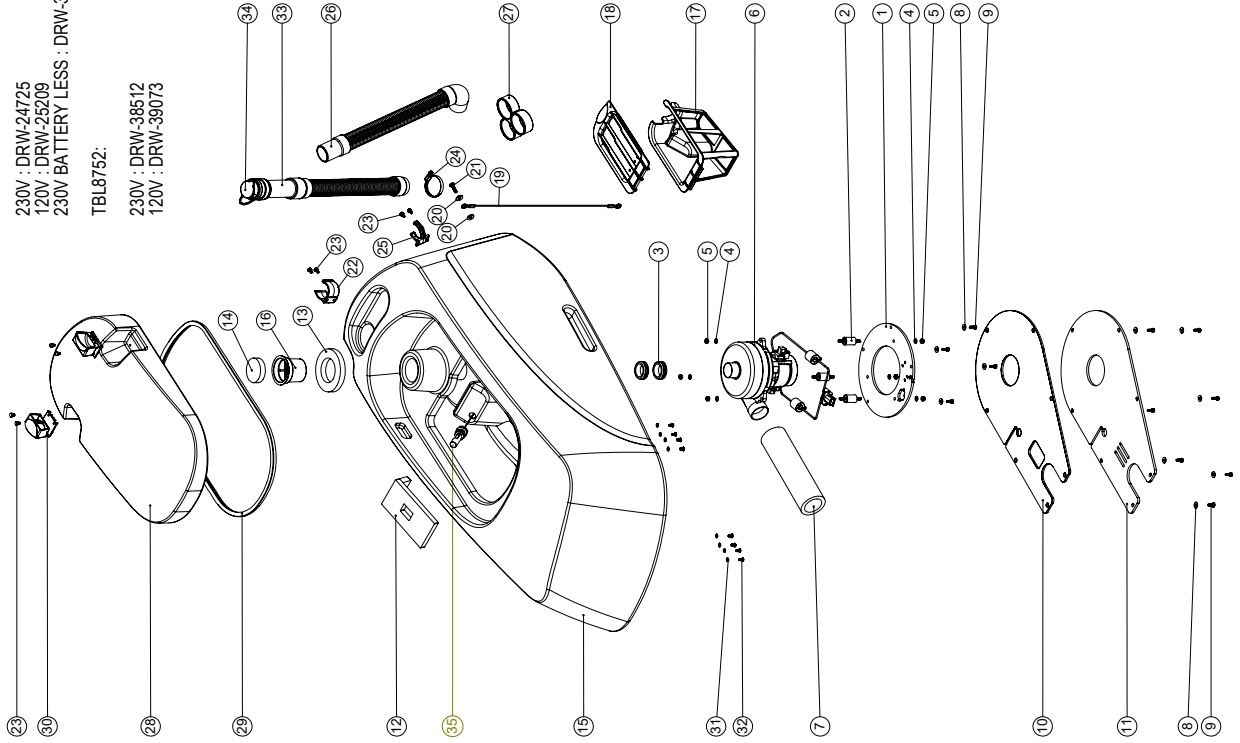
**NB: FOR WIRING SEE DRAWING:**

TGB-8572:

230V : DRW-24725  
 120V : DRW-25209  
 230V BATTERY LESS : DRW-37196

TBL8752:

230V : DRW-38512  
 120V : DRW-39073



**Numatic International Spare Parts**

**Model No:** TGB 8572 TOP TANK ASSY

ITEM NO.	Item_No	DESCRIPTION	COMMENTS:	QTY.
1	905358	TANGENTIAL VAC MOTOR BRACKET (PP)		1
2	208334	30MM X 20MM ANTI VIBRATION MOUNT		3
3	208144	38MM GROMMET X 6MM PANEL THICKNESS		2
4	219960	M6 FORM B STAINLESS STEEL WASHER		6
5	219642	M6 STAINLESS STEEL NYLON INSERT NUT		6
6	915803	24V TANGENTIAL DISCHARGE 2-STAGE VAC MOTOR & PLUG ASSEMBLY + CHOKE		1
7	208306	SILENCER FOAM TUBE		1
8	219644	M5 FORM G STAINLESS STEEL WASHER		11
9	291132	M5 X 16MM LONG STAINLESS STEEL POZI PAN SEMS SCREW		11
10	905360	VAC MOTOR BOTTOM PLATE LINER		1
11	905359	VAC MOTOR BOTTOM PLATE		1
12	907225	FLOAT PAD ( FOR 85L TANK)		1
13	208947	INNER FOAM FILTER/OUTER FOAM FILTER		1
14		INNER FOAM FILTER/OUTER FOAM FILTER		1
15	906135	TGB 8572 TOP TANK		1
16	237688	FOAM FILTER BODY		1
17	903283	FILTER BASKET (RED)		1
18	903284	PROCESSED FILTER BASKET LID (RED)		1
19	N/A	495MM LONG LIFTING LINK WIRE (Item: 208204)		1
20	219647	M6 FORM G STAINLESS STEEL WASHER		2
21	902232	M6 X 25MM LONG POZI PAN SCREW STAINLESS STEEL		1
22	237382	ACETAL HOSE CLIP MOULDING		1
23	291135	M5 X 10MM LONG STAINLESS STEEL POZI PAN SEMS SCREW		8
24	219919	32MM-50MM STAINLESS STEEL HOSE CLIP		1
25	237754	35-38MM HOSE CLIP		1
26	280021	35MM X 1000MM LONG 3:1 STRETCH HOSE (SHORT & LONG CUFF)		1
27	237718	HOSE GUIDE		1
28	903043	GRAPHITE GREY SEPARATOR HOOD MOULDING		1
29	391319	SEPERATOR SEALING STRIP		1
30	902919	CLIP MOULDING (RED)		2
31	219355	M5 FORM A STAINLESS STEEL WASHER	TANK HINGE FASTENERS	8
32	291004	M5 X 10MM LONG STAINLESS STEEL BUTTON HEAD SCREW	TANK HINGE FASTENERS	8
33	901548	35MM X 250MM STRETCH HOSE (3:1) C/W ADJUSTABLE CUFF + CAP		1
34	900903	HOSE CLOSURE REPLACEMENT KIT	SPARE PART	1
35	902234	FLOAT SWITCH (N.C)	903038 SPARE END TIP	1

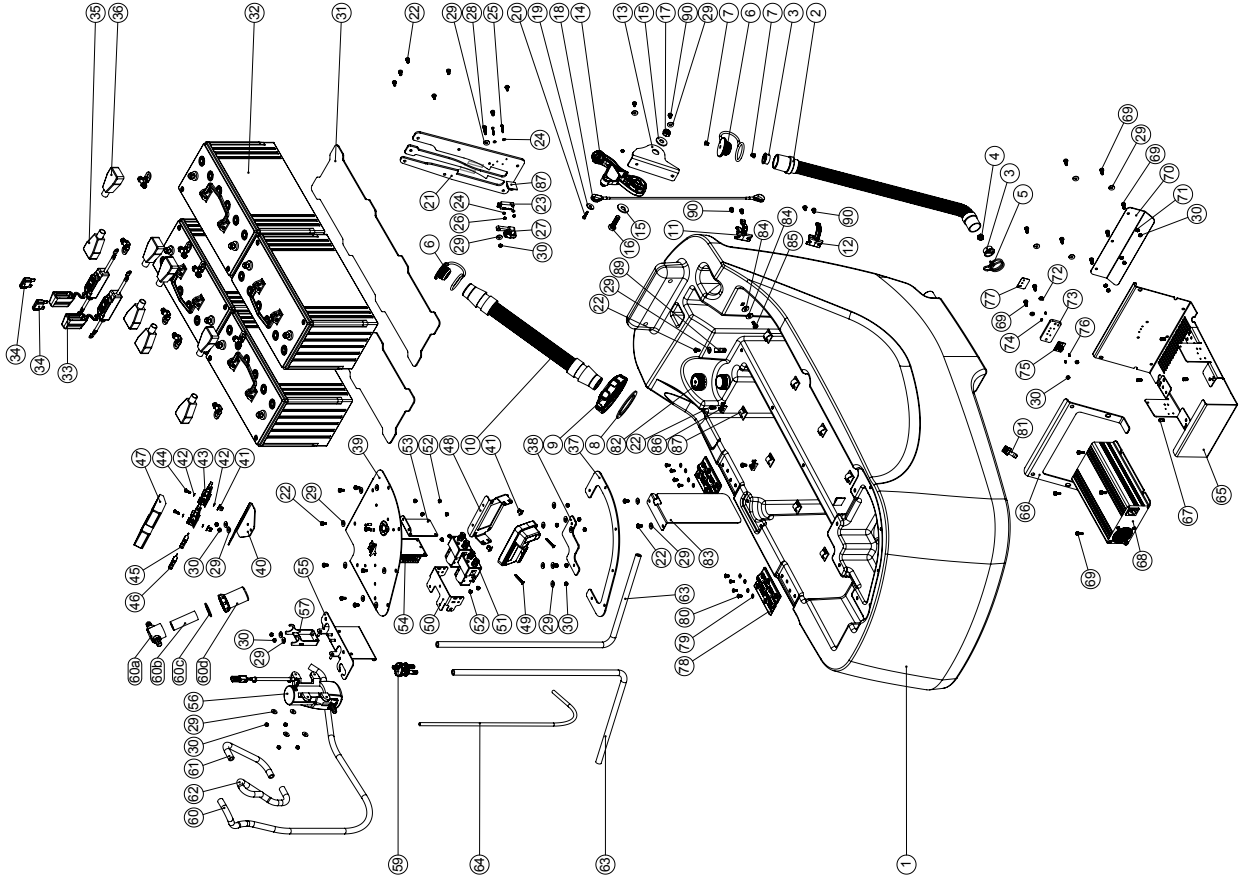
**Numatic International Spare Parts**

**Model No:** TGB 8572 BOTTOM TANK ASSY

NB: FOR WIRING SEE DRAWING: WD-0722

905422

Internal Code: DRAWING: DRW-24709 ISS:A13  
PRO 05/03/2018



**Numatic International Spare Parts**

**Model No:** TGB 8572 BOTTOM TANK ASSY

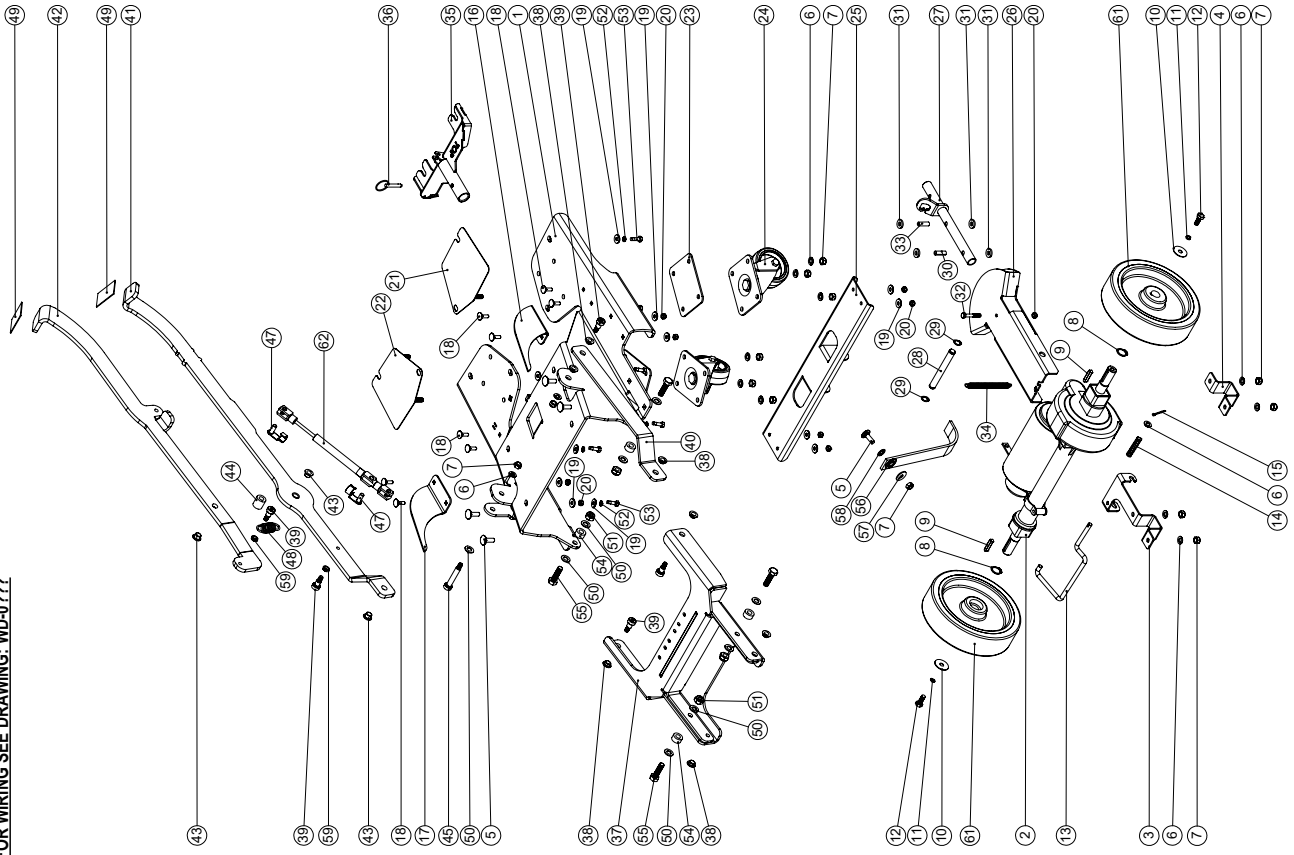
ITEM:	PART No:	DESCRIPTION	COMMENTS:	QTY:
1	9053339	TGB 8572 BOTTOM TANK		1
2	213025	DUMP HOSE		1
3	904108	FLOAT STOP MOULDING		2
4	904109	FLOAT MOULDING		1
5	902133	SPRING WIRE CLAMP (YONAC-Y80103956)		2
6	904403	BARBED RIVER BLACK (CW Ø10MM HOLE)		2
7	206564	FILLER CAP SEALING RING		1
8	237174	FILLER CAP WITH FILLER HOSE HOLE		1
9	206542	420MM LONG BLACK STRETCH HOSE CW CLIFFS		1
10	901916	28mm HOSE CLIP		1
11	237174	FILLER HOSE CLIP		1
12	902324	RED SOLID LIFT HANDLE		1
13	902324	RED SOLID LIFT HANDLE		1
14	902324	RED SOLID LIFT HANDLE		1
15	291124	M10 X 35MM LONG HEXAGONAL STAINLESS STEEL SCREW		2
16	219895	M10 X 35MM LONG HEXAGONAL STAINLESS STEEL SCREW		1
17	219897	M10 X 25MM LONG POZI PAN SCREW STAINLESS STEEL NYLON INSERT NUT		1
18	208989	LIFT RING WIRE TV5566 WASHER 60MM OD		1
19	219816	M5 X 12MM LONG STAINLESS STEEL POZI PAN MACHINE SCREW		1
20	404118	DEFCK LIFT GUIDE (ZANG PLATED)		1
21	291131	M5 X 12MM LONG STAINLESS STEEL POZI PAN SEMS SCREW		20
22	208748	IP RATED MICROSWITCH		2
23	219501	M3 FORM A STAINLESS STEEL WASHER		4
24	904092	M3 X 25MM LONG POZI PAN SCREW STAINLESS STEEL		4
25	219501	M3 FORM A STAINLESS STEEL WASHER		2
26	219575	CENTRE SWITCH OPERATING LEVER MOULDING		2
27	219575	M5 X 25MM LONG POZI PAN STAINLESS STEEL SCREW		2
28	219575	M5 X 25MM LONG POZI PAN STAINLESS STEEL SCREW		2
29	219644	M5 FORM G STAINLESS STEEL WASHER		34
30	219633	BATTERY PLATE (Ø572)		21
31	905357	100 AMP HOUR REPLACEMENT BATTERY (CW PACKAGING FOR Z30138 BATTERY)		2
32	205112	40 AMP MAXI FUSE		2
33	21047	40 AMP MAXI FUSE		2
34	208936	BLACK BATTERY TERMINAL COVER (415NBV14)		2
35	208936	BLACK BATTERY TERMINAL COVER (415NBV14)		2
36	208935	RED BATTERY TERMINAL COVER (415NBV02)		4
37	905330	ELECTRONICS PLATE GASKET LH (Ø572)		1
38	905331	ELECTRONICS PLATE GASKET RH (Ø572)		1
39	905329	ELECTRONICS PLATE GASKET (Ø572)		1
40	905332	ELECTRONICS PLATE GASKET (Ø572)		1
41	901986	NYLON GROMMET NUT (PLASTIC INSERT TO SUIT No 8 PLASTIC SCREW)		4
42	291145	M4 SHAKEROFF WASHER STAINLESS STEEL		4
43	230102	FUSE HOLDER RATED AT 60 AMPS		2
44	219569	NØ8 X 1/2 INCH LONG POZI PAN STAINLESS STEEL PLASTITE SCREW		2
45	230104	30 AMP MAXI FUSE		2
46	219575	CENTRE SWITCH OPERATING LEVER MOULDING		1
47	219575	CENTRE SWITCH OPERATING LEVER MOULDING		1
48	904096	MØ8 X 1 1/4 INCH LONG POZI DRIVE COUNTERSUNK HEAD SCREW		1
49	219826	MØ8 X 1 1/4 INCH LONG POZI DRIVE COUNTERSUNK HEAD SCREW		2
50	902253	CONTACTOR BRACKET PAINTED SILVER		2
51	230111	CONTACTOR		2
52	219568	M4 X 6MM LONG POZI PAN SCREW		2
53	905330	ELECTRONICS PLATE GASKET LH (Ø572)		8
54	905331	ELECTRONICS PLATE GASKET RH (Ø572)		1
55	905332	ELECTRONICS PLATE GASKET (Ø572)		1
56	230278	WATER PUMP ASSEMBLY		1
57	304521	FILTER PLATE ASSEMBLY		1
58	208888	EXTENDED STRAINER		1
59	208887	STRAINER BLACK TOP		1
60	208890	STRAINER GASKET		1
61	208890	68MM EXTENDED STRAINER CLEAR BOWL		1
62	903445	FLOW DIVIDER ASSY		1
63	903445	FLOW DIVIDER ASSY		1
64	903385	TANK TO FILTER TUBE		1
65	903387	FILTER TO PUMP TUBE		1
66	903388	PUMP TO FLOW DIVIDER TUBE		1
67	903390	FILTER TO BRUSH TUBE		2
68	903390	VENT TUBE		1
69	903340	CHARGER PLATE (20A) PAINTED SILVER GREY		1
70	208337	CHARGER PLATE PUNCHED GASKET		1
71	219556	M5 STAINLESS STEEL NUTSERT		4
72	230251	NUMATIC 600W CHARGER		1
73	601937	M5 STAINLESS STEEL POZI PAN SEMS SCREW		13
74	291020	M5 STAINLESS STEEL EXTERNAL SHAKEROFF LOCK WASHER		3
75	219462	RUBBER WASHER		2
76	902493	CHARGER LED PCB SPACER (6565/4555)		2
77	291115	M2 X 2.2MM LONG TAPPEX (Ø71M2)		2
78	280002	CHARGER LED DISPLAY PCB		1
79	208978	CHARGER LIGHTS COVER		1
80	208978	CHARGER LIGHTS COVER		2
81	303854	PLASTIC HINGE ASSEMBLY		2
82	219355	M5 FORM A STAINLESS STEEL WASHER		8
83	291004	M5 X 10MM LONG STAINLESS STEEL BUTTON HEAD SCREW		8
84	219389	3/8 BSP MALE CW UNDERCUT & Ø RING TO 10.5MM HOSETAIL		1
85	208106	BOTTLE CAP		1
86	219347	M6 FORM G STAINLESS STEEL WASHER		1
87	219644	M6 X 16MM LONG POZI PAN STAINLESS STEEL SCREW		2
88	220904	CABLE CLIP PLATFORM		10
89	220403	CABLE CLIP		2
90	902666	BATTERY CONNECTOR (M6 - M10)		1
91	219514	M4 X 10MM LONG STAINLESS STEEL POZI PAN SEMS SCREW		8
92	219637	M4 STAINLESS STEEL NYLON INSERT NUT		6
93	904459	PROGRAMMED 70A MOTOR CONTROLLER (TGB)		1

# Numatic International Spare Parts

Model No: TGB 8572 / TBL 8572 NX CHASSIS ASSY

NB: FOR WIRING SEE DRAWING: WD-0???

905415, 917565  
 DRAWING: DRW-24707 ISS:A09  
 11/09/2023



# Numatic International Spare Parts

Model No: TGB 8572 / TBL 8572 NX CHASSIS ASSY

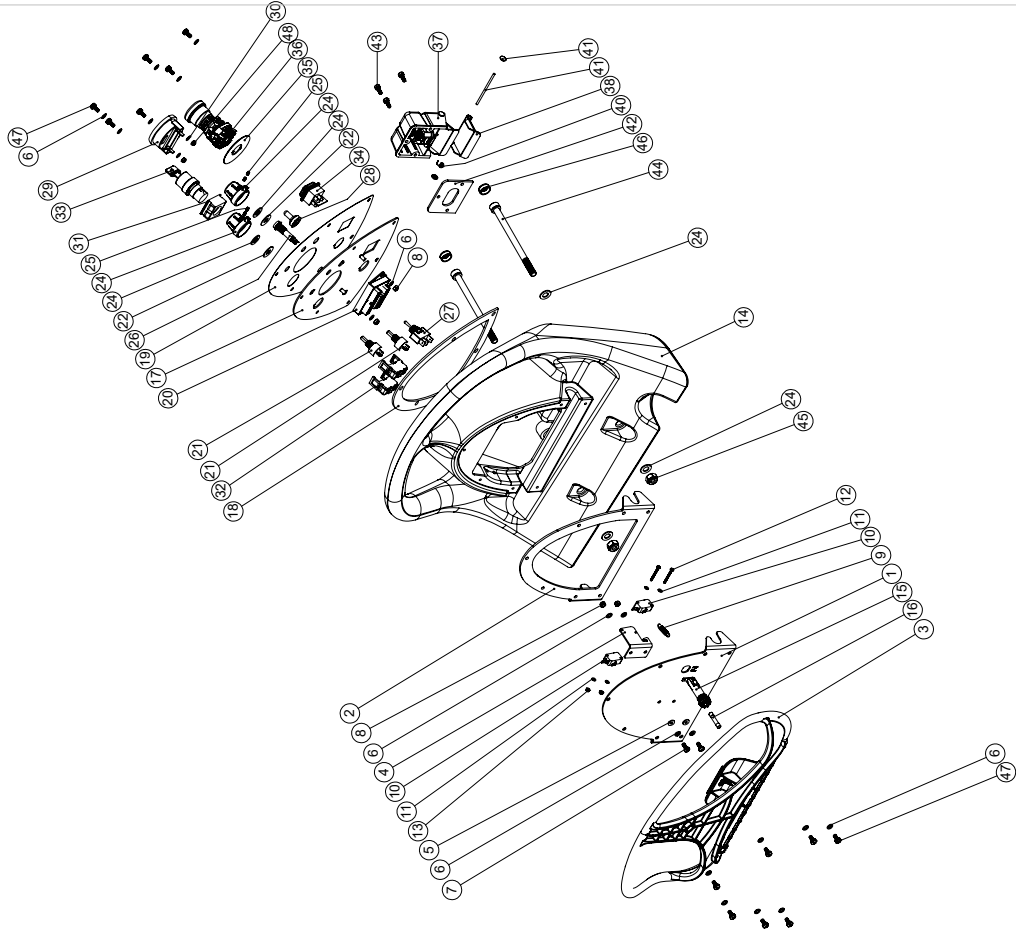
ITEM:	PART No:	DESCRIPTION	COMMENTS:	TGB8572 / TBL8572QT	Y.
1	905347	TGB 8572 CHASSIS WELD ASSY		1	1
2	206724	TRANSAXLE		1	1
3	392089	TRANSAXLE CLAMP AND BRAKE LEVER BRACKET		1	1
4	329497	TRANSAXLE MOUNTING BRACKET		1	1
5	902010	M8 X 25 COACH BOLT S/S		5	5
6	219578	M8 FORM A STAINLESS STEEL WASHER		13	13
7	219639	M8 STAINLESS STEEL NYLON INSERT NUT		15	15
8	219899	19MM HEAVY DUTY CIRCLIP		2	2
9	206744	6MM X 6MM X 32MM FEATHER KEY		2	2
10	219877	M8 X 30 STAINLESS STEEL WASHER		2	2
11	219898	M8 SINGLE COIL STAINLESS STEEL WASHER		2	2
12	219717	M8 X 20MM LONG HEXAGONAL STAINLESS STEEL BOLT		2	2
13	303769	BRAKE LEVER		1	1
14	219328	50MM LONG COMPRESSION SPRING		1	1
15	219171	3.2MM X 28MM SPLIT COTTER PIN		1	1
16	905348	TGB 8572 WHEEL ARCH BRACKET LH		1	1
17	905349	TGB 8572 WHEEL ARCH BRACKET RH		1	1
18	906350	M6 X 20 COACH BOLT S/S		8	8
19	219647	M6 FORM G STAINLESS STEEL WASHER	BOTTOM TANK FASTENERS X8	16	16
20	219642	M6 STAINLESS STEEL NYLON INSERT HALF NUT		9	9
21	303981	CASTOR PLATE (LEFTHAND SIDE)		1	1
22	303980	CASTOR PLATE (RIGHTHAND SIDE)		1	1
23	329581	CASTOR ADAPTOR SPACER		2	2
24	N/A	HEAVY DUTY CASTOR BLUE TYRE (Item:204116)		2	2
25	905352	FLOOR TOOL LIFTING BRACKET SILVER GREY		1	1
26	303932	FLOOR TOOL LIFTING PLATE WELDED ASSEMBLY		1	1
27	905731	TGB8572 FLOOR TOOL PIVOT TUBE ASSEMBLY		1	1
28	206965	PIVOT AXLE		1	1
29	905663	13MM EXTERNAL CIRCLIP ST/ST		2	2
30	206964	SPIRO SPACER		1	1
31	206964	SLIDE NYLON SPACER		4	4
32	291125	M6 X 40 LONG HEX BOLT STAINLESS STEEL		1	1
33	206963	VERTICAL NYLON SPACER		1	1
34	206959	SPRING		1	1
35	304466	FLOOR TOOL BRACKET ASSEMBLY (TT/TTB40-45/4055)		1	1
36	206953	DETENT PINS		1	1
37	905322	LINK ARM WELD ASSY		1	1
38	208330	IGUS BEARING (GFM 101206)		7	7
39	208313	M8 X 10 X 12MM LONG HEX SOCKET SHOULDER BOLT		5	5
40	905326	BRUSH DECK LIFTING LINK		1	1
41	905345	FOOT PEDAL LEVER ZINC PLATED		1	1
42	404120	EXTRA PRESSURE DECK ARM (ZINC PLATED) (PRESSURE OFF VERSION)		1	1
43	208331	IGUS BEARING (GFM 101209)		3	3
44	208350	NYLON SPACER I/D 10.2MM X O/D 20.0MM X LENGTH 21.0MM		1	1
45	208333	M8 X 10 X 50MM LONG HEX SOCKET SHOULDER BOLT		1	1
46	208325	TV5865 GAS STRUT		1	-
47	208634	GAS RAM CLEVIS CLIP		2	2
48	208555	PRESSURE OFF SPRING		1	1
49	903064	FOOT PEDAL PAD (RED)		2	2
50	219903	M10 FORM A STAINLESS STEEL WASHER		9	9
51	219897	M10 STAINLESS STEEL NYLON INSERT NUT		4	4
52	902353	M6 EXTERNAL SHAKEPROOF WASHER STAINLESS STEEL	BOTTOM TANK FASTENERS	6	6
53	291144	M6 X 20MM LG HEX HEAD SCREW STAINLESS STEEL C/W THREADLOCK	BOTTOM TANK FASTENERS	8	8
54	905732	NYLON SPACER ID 10.2MM X OD 20MM X LENGTH 10MM		4	4
55	219895	M10 X 38MM LONG HEXAGONAL STAINLESS STEEL SCREW		4	4
56	903683	ANTI-STATIC STRAP (CUT TO LENGTH: 270MM LONG)		1	1
57	219716	M8 FORM G STAINLESS STEEL WASHER		1	1
58	291062	M10 INTERNAL LOCK WASHER STAINLESS STEEL		1	1
59	219751	M8 STAINLESS STEEL HALF NUT		2	2
60	204115	200MM X 50MM TRACTION WHEEL - GREY PU TREAD COMBED PROFILE		2	-
61	901209	200 X 50 TRACTION WHEEL (PLASTIC)		-	2
62	N/A	280N GAS RAM (Item:208623)		-	1

**Numatic International Spare Parts**

**Model No:** TGB 8572 HANDLE ASSY

NB: FOR WIRING SEE DRAWING: WD-0722

Internal Code: 905417, 906618  
 DRAWING: DRW-24712 ISS A13  
 05/10/2022



**Numatic International Spare Parts**

**Model No:** TGB 8572 HANDLE ASSY

ITEM:	PART No.	DESCRIPTION	COMMENTS:	QTY.
1	902263	HANDLE BACK PLATE ETB6055 PAINTED SILVER		1
2	903062	HANDLE BACK PLATE GASKET		1
3	902325	RED HANDLE TRIGGER MOULDING		1
4	902251	HANDLE MICRO SWITCH BRACKET PAINTED SILVER		1
5	219462	RUBBER WASHER REF NO. 0380810		2
6	219355	M5 FORM A STAINLESS STEEL WASHER		19
7	219740	M5 X 12MM LONG STAINLESS STEEL POZI PAN SCREW		2
8	219633	M5 STAINLESS STEEL NYLON INSERT NUT		4
9	208356	TRIGGER SPRING		1
10	208391	SNAP ACTION SWITCH		2
11	219501	M3 FORM A STAINLESS STEEL WASHER		4
12	291156	M3 X 30MM LONG POZI PAN SCREW STAINLESS STEEL		2
13	291154	M3 NYLON INSERT NUT STAINLESS STEEL		2
14	304442	PROCESSED TTV5665 GREY HANDLE MOULDING		1
15	903032	BULGIN PANEL MOUNT FUSEHOLDER		1
16	903066	FUSE 2.5A (6.3x32)		1
17	907128	TGB8572 CONTROL PANEL C/W STUDS (NEW KEY) PAINTED SILVER		1
18	208336	CONTROL PANEL PUNCHED GASKET		1
19	905361	TGB 8572 CONTROL PANEL PLATE OVERLAY		1
20	904179	Terminal Block Assembly		1
21	270316	POTENTIOMETER TYPE P430 20K OHMS 20% 3W (WITH PANEL SEAL) (ROUND SHAFT WITH FLAT / NO SLOT IN SHAFT END)		2
22	904094	SPEED CONTROL GASKET		2
24	219903	M10 FORM A STAINLESS STEEL WASHER		6
24	903498	SPEED ADJUSTMENT KNOB C/W INSERT (RED)		2
25	219744	M4 X 6MM LONG BLACKODISED GRUB SCREW		4
26	270291	GREEN LED INDICATOR 2V C/W 2.2K RESISTOR		1
27	206786	SWITCH		1
28	206785	SWITCH COVER C/W NUT		1
29	914620	BATTERY HOURS METER NE306	O-RING INCLUDED	1
30	902532	BATTERY DISCHARGE INDICATOR + HOUR METER 24V		1
31	219688	M4 FORM A STAINLESS STEEL WASHER		2
31	907150	FIXING ADAPTER (020G)		1
32	907151	TERMINAL BLOCK N.O. (020E10)		2
33	907149	KEY SWITCH SELECTOR (020SCA1)	907208 SPARE KEYS	1
34	902235	SWITCH DPST RED ILLUMINATED WITH MEMBRANE 24V		1
35	904086	EMERGENCY STOP NAME PLATE (HWAV-27-Y)		1
36	904087	EMERGENCY STOP (XW1E-BV412MFR)		1
37	904032	240V EMI FILTER WITH SOCKET COVER ASSEMBLY C/W FLAP		1
37	906495	120V EMI FILTER (10A) WITH SOCKET COVER ASSEMBLY C/W FLAP		1
38	227781	FLAP MOULDING		1
41	390979	72MM LONG X 3MM DIAMETER STAINLESS STEEL BAR		1
40	219819	TORSION SPRING		1
41	219832	3MM DIAMETER STARLOCK		2
42	202105	SOCKET COVER SEALING GASKET		1
43	291007	M5 X 12MM LONG STAINLESS STEEL SOCKET CAP SCREW		3
44	902351	M10 X 150MM LONG SOCKET CAP SCREW STAINLESS STEEL		2
45	219897	M10 STAINLESS STEEL NYLON INSERT NUT		2
46	237632	SHOULDER BOLT COVER		2
47	291131	M5 X 12MM LONG STAINLESS STEEL POZI PAN SEMS SCREW		13
48	219687	M4 STAINLESS STEEL NYLON INSERT NUT		2

**Numatic International Spare Parts**

750 TWINTEC ALUMINIUM FLOOR TOOL  
**Model No.:** (38MM HOSE, RED TRIM, SERILOR BLADES)

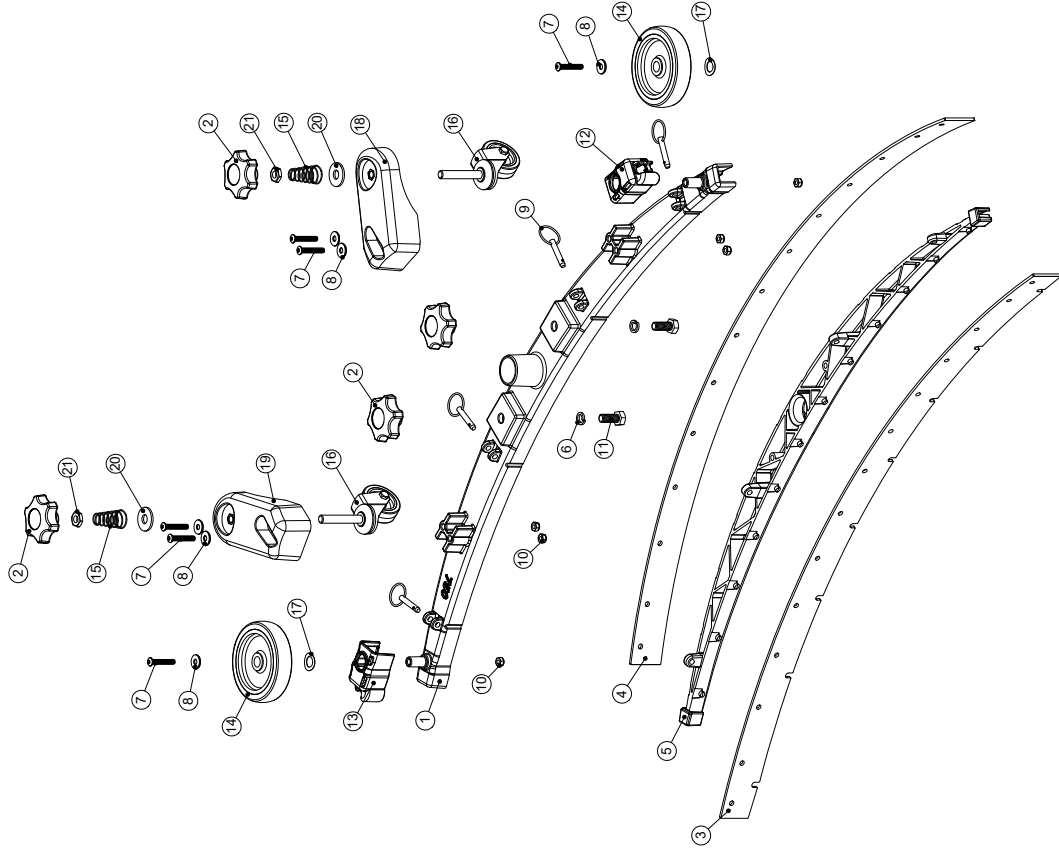
**NB: FOR WIRING SEE DRAWING: WD-07??**

903853

DRAWING: DRW-23157 ISS:A07  
 27/03/2019

Internal Code:

PRO



**Numatic International Spare Parts**

750 TWINTEC ALUMINIUM FLOOR TOOL (38MM HOSE, RED TRIM, SERILOR BLADES)  
**Model No.:** (750MM SCRUB WIDTH) ALUMINIUM SQUEEGEE CASTING (38MM HOSE FITTING)

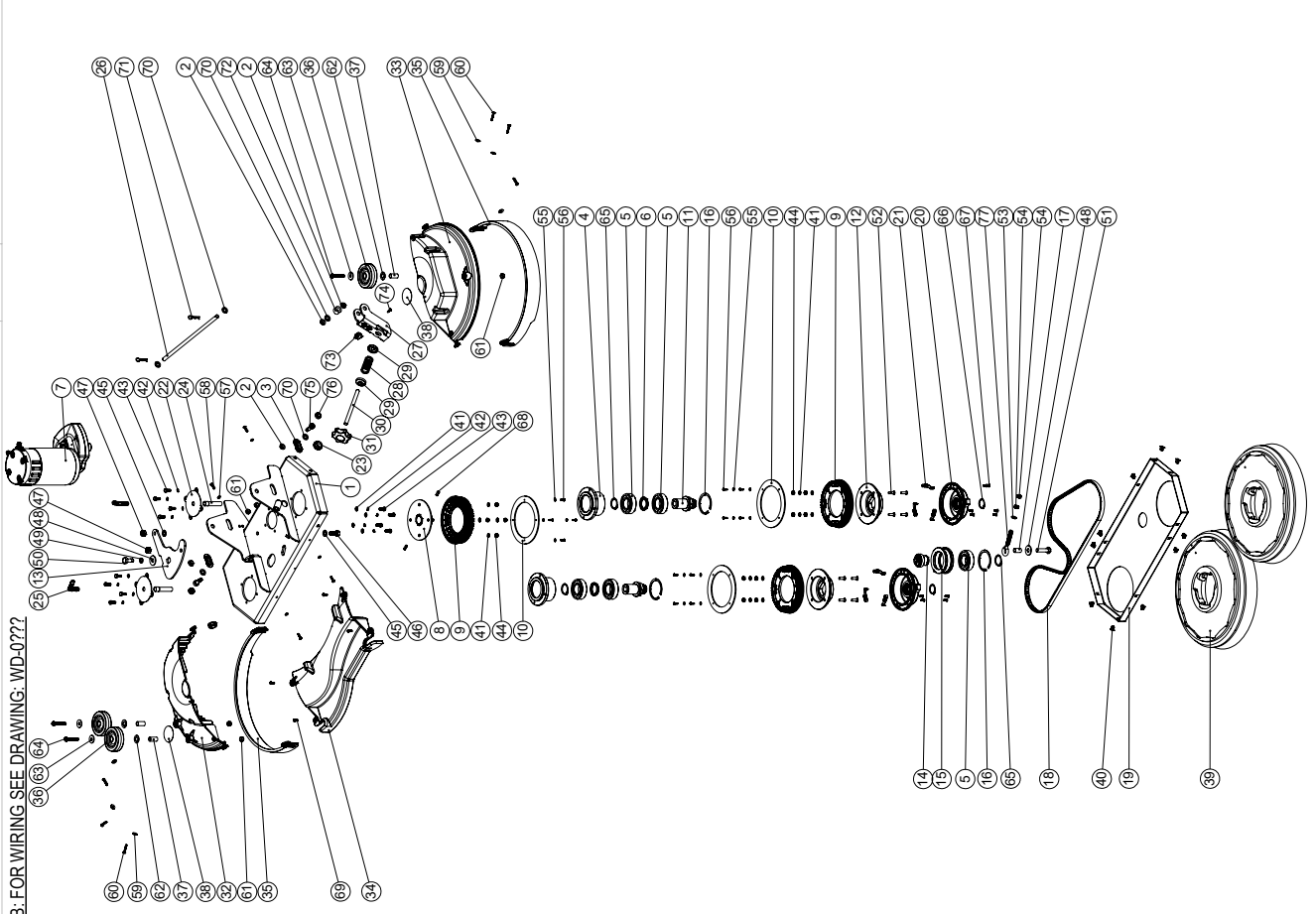
ITEM:	PART No:	DESCRIPTION	QTY.
1	208637	(750MM SCRUB WIDTH) ALUMINIUM SQUEEGEE CASTING (38MM HOSE FITTING)	1
2	903281	M10 LOBE KNOB (RED)	4
3	208988	750MM SCRUB WIDTH REPLACEMENT FRONT BLADE (968MM LONG)	1
4	208971	750MM SCRUB WIDTH REPLACEMENT REAR BLADE (1000MM LONG)	1
5	903848	(750MM SCRUB WIDTH) RED BLADE HOLDER Moulding (SLOPING PROFILE) (32MM & 38MM HOSE FITTING)	1
6	219899	M10 SINGLE COIL STAINLESS STEEL WASHER	2
7	219933	M6 X 35MM SOCKET BUTTON HEAD BOLT STAINLESS STEEL	6
8	219647	M6 FORM G STAINLESS STEEL WASHER	6
9	206953	DETENT PINS	4
10	219642	M6 STAINLESS STEEL NYLON INSERT NUT	6
11	219909	M10 X 25MM LONG HEXAGONAL STAINLESS STEEL SCREW	2
12	237322	RIGHT HAND FLOOR TOOL CLIP Moulding	1
13	237323	LEFT HAND FLOOR TOOL CLIP Moulding	1
14	208796	4 INCH WHEEL	2
15	229175	CONICAL SPRING	2
16	907759	50MM DIAMETER GREY TPR TYRED SWIVEL CASTOR C/W M10 X 60 SWAGED STEM.	2
17	219891	13MM WAVEY WASHER	2
18	906860	ADJUSTABLE FLOOR TOOL CASTOR PLASTIC PLATE LEFT	1
19	906859	ADJUSTABLE FLOOR TOOL CASTOR PLASTIC PLATE RIGHT	1
20	291124	M10 PENNY WASHER STAINLESS STEEL	2
21	219951	A4 (STAINLESS STEEL) M10 HEX LOCK NUT (HALF NUT)	2



# Numatic International Spare Parts

Model No: TWIN BRUSH DECK ASSY

NB: FOR WIRING SEE DRAWING: WD-0772



905419  
DRAWING: DRW-23622 ISS:A11  
10/09/2021

Internal Code: PRO

# Numatic International Spare Parts

Model No: TWIN BRUSH DECK ASSY

ITEM:	PART No:	DESCRIPTION	QTY.
1	905338	TWIN BRUSH DECK WELD ASSY ZINC PLATED	1
2	206330	IGUS BEARING (GFM 101206)	4
3	237162	SLIDER BUSH	2
4	903420	BEARING HOUSING	2
5	206878	BEARING I/D 30MM O/D 62MM	5
6	903439	SPACER O/D 40MM X I/D 30MM X 5MM	2
7	205192	M/R P6 IP20 AMER MOTOR	1
8	904836	BRUSH MOTOR PULLEY PLATE WELD ASSY ZINC PLATED	1
9	237680	LARGE PULLEY 56TH	3
10	903423	PULLEY FLANGE PLATE	3
11	903421	BRUSH PULLEY SHAFT	2
12	903440	PULLEY MOUNTING ADAPTER	2
13	903619	TENSIONER PIVOT PLATE ZINC PLATED	1
14	903419	TENSIONER SHAFT	1
15	903424	IDLER	1
16	230200	62MM INTERNAL CIRCLIP	3
17	903429	1/2 INCH DIA X 186 S/S TUBE (0.02)	1
18	903438	BELT (GATES G74 - 1440 - 8MGT - 12)	1
19	903428	TWIN BRUSH DECK - MAIN PLATE COVER	1
20	230285	MODIFIED CHUCK (CRO)	2
21	237730	SPRING CLIP	6
22	903432	TWIN BRUSH WATER FEED PLATE	2
23	206143	20MM GROMMET X 6MM PANEL THICKNESS	2
24	903446	MOTOR SHAFT INSERT	2
25	903641	10MM HOSETAIL ELBOW	2
26	905317	PIVOT ROD	1
27	905398	BRUSH DECK PITCH ADJUSTER ZINC PLATED	1
28	206721	COMPRESSION SPRING	1
29	905319	SPRING RETAINER MouldING MODIFIED	2
30	905316	M10 X 140MM LONG STAINLESS STEEL THREADED BAR	1
31	M10 X 140MM	LONG STAINLESS STEEL THREADED BAR	1
32	903433	TWIN BRUSH RH DECK MouldING	1
33	903434	TWIN BRUSH LH DECK MouldING	1
34	905071	TWIN BRUSH CENTRE DECK MouldING	1
35	903437	TWIN BRUSH DECK SPLASH SKIRT	2
36	204068	3 INCH GREY WHEEL	3
37	391224	1/2 INCH DIA X 186 S/S TUBE (0.02)	1
38	903845	DO NOT STAND HERE WARNING LABEL Ø50MM	2
39	903449	370MM POLYGRUB BRUSH	2
40	906986	NYLON GROMMET NUT (PLASTIC INSERT TO SUIT No 8 PLASTITE SCREW)	10
41	219870	M6 FORM A WASHER STAINLESS STEEL	16
42	219718	WASHER M6 SPRING STAINLESS STEEL	12
43	219719	M6 X 16MM LONG HEXAGONAL STAINLESS STEEL HEAD BOLT	12
44	219642	M6 STAINLESS STEEL NYLON INSERT NUT	12
45	219603	M10 FORM A STAINLESS STEEL WASHER	2
46	219609	M10 X 25MM LONG HEXAGONAL STAINLESS STEEL SCREW	1
47	219897	M10 STAINLESS STEEL NYLON INSERT NUT	2
48	291124	M10 PENNY WASHER STAINLESS STEEL	2
49	219899	M10 SINGLE COIL STAINLESS STEEL WASHER	1
50	291141	M10 X 25MM LG HEX HEAD SCREW STAINLESS STEEL C/W THREADLOCK	1
51	903430	M10 X 40MM LONG HEXAGONAL STAINLESS STEEL SCREW	1
52	903441	M6 X 20MM LONG STAINLESS STEEL COUNTERSUNK POZI SCREW	8
53	219578	M8 FORM A STAINLESS STEEL WASHER	1
54	219079	M8 PLAIN NUT	2
55	219688	M4 FORM A STAINLESS STEEL WASHER	12
56	291061	N6 X 1/2 INCH LONG POZI PAN PLASTITE SCREW (STAINLESS STEEL)	12
57	219355	M5 FORM A STAINLESS STEEL WASHER	4
58	219568	N08.34 INCH LG POZI-PAN SCREW STAINLESS STEEL PLASTITE	4
59	219644	M5 FORM G STAINLESS STEEL WASHER	6
60	219369	N08 X 1 INCH LONG POZI PAN STAINLESS STEEL PLASTITE SCREW	6
61	219639	M8 STAINLESS STEEL NYLON INSERT NUT	5
62	219302	M12 FORM B STAINLESS STEEL WASHER	3
63	219716	M8 FORM G STAINLESS STEEL WASHER	3
64	219822	M8 X 45MM LONG SOCKET BUTTON STAINLESS STEEL HEAD BOLT	3
65	903435	30MM EXTERNAL CIRCLIP	3
66	230048	28MM EXTERNAL CIRCLIP	2
67	219683	N6 X 3/8 INCH LONG POZI PAN BLACK COUNTERSUNK PLASTITE SCREW	12
68	291139	6MM X 16MM STAINLESS STEEL ROLL PIN	2
69	219569	N08 X 1/2 INCH LONG POZI PAN STAINLESS STEEL PLASTITE SCREW	4
70	219964	NYLON WASHER (18MM O/D X 10.4MM I/D X 3MM THICK)	5
71	291102	SMALL R/PIN (S MASTERS 89100 SS)	2
72	905320	NYLON SPACER ID 10.2MM X OD 20MM X LENGTH 15MM	1
73	903644	CRO LIFTING MECH CAM	1
74	219370	N08 X 5/8 INCH LONG PLASTITE STAINLESS STEEL SCREW	1
75	206332	M8 X 10 X 16MM LONG HEX SOCKET SHOULDER BOLT	2
76	237632	SHOULDER BOLT COVER	2
77	914423	M8 X 70mm Eye Bolt Zinc Plated	1

**Numatic International Limited (Head Office)**

Chard, Somerset TA20 2GB, UNITED KINGDOM

Tel: 01460 68600 numatic.com

**Numatic International GmbH**

Fränkische Straße 15-19, 30455 Hannover, DEUTSCHLAND

Tel: +49 (0) 511 984 2160 numatic.de

**Numatic International Denmark**

Fränkische Straße 15-19, 30455 Hannover, DEUTSCHLAND

Tel: +45 (0) 316 40808 numatic-online.dk

**Numatic International S.A.S**

13/17 rue du Valengelier, EAE la Tuilerie, 77500 Chelles, FRANCE

Tel: +33 (0) 164 726 161 numatic.fr

**Numatic International BV**

Vennootsweg 15, 2404 CG, Alphen aan den Rijn, NEDERLAND

Tel: +31 (0) 172 467 999 numatic.nl

**Numatic International Schweiz AG.**

Sihlbruggstrasse 3A, 6340 Baar, SCHWEIZ

Tel: +41 (0) 41 768 0760 numatic.ch

**Numatic International (PTY) Ltd.**

Cnr. 16th &amp; Pharmaceutical Road, Randjes Park, Midrand 1685, SOUTH AFRICA

Tel: +27 (0) 861 686 284 numatic.co.za

**Numatic International ULDA**

Rua Francisco da Silva Duarte, nº79,

4475-269 Santa Maria de Avioso, Castelo da Maia, PORTUGAL

Tel: +351 220 047 700 numatic.pt

**Numatic International Spain, S.L.U.**

Av. Baix Llobregat, 5-7, Oficina bajos 1 (Parc Negocis Mas Blau II)

08820 El Prat de Llobregat (Barcelona), SPAIN

Tel: +34 93 647 22 22 numatic.es

**Numatic International Italy S.R.L**

Via Luigi Galvani, 2, Z.I. Talponedo, 33080 Porcia (PN), ITALY

Tel: +39 (0) 434 046 211 numatic.it