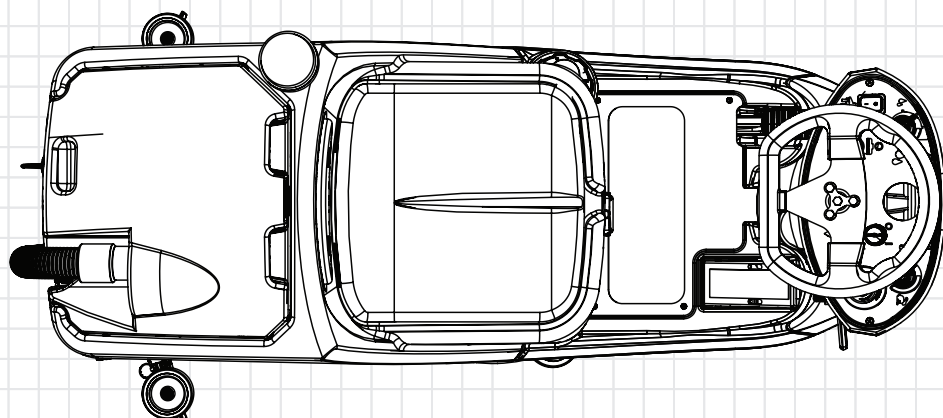
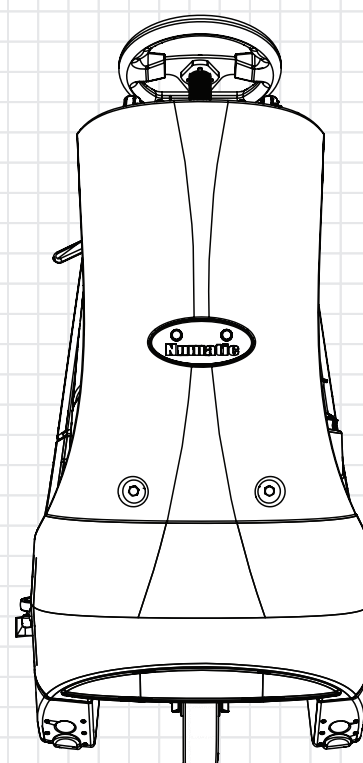
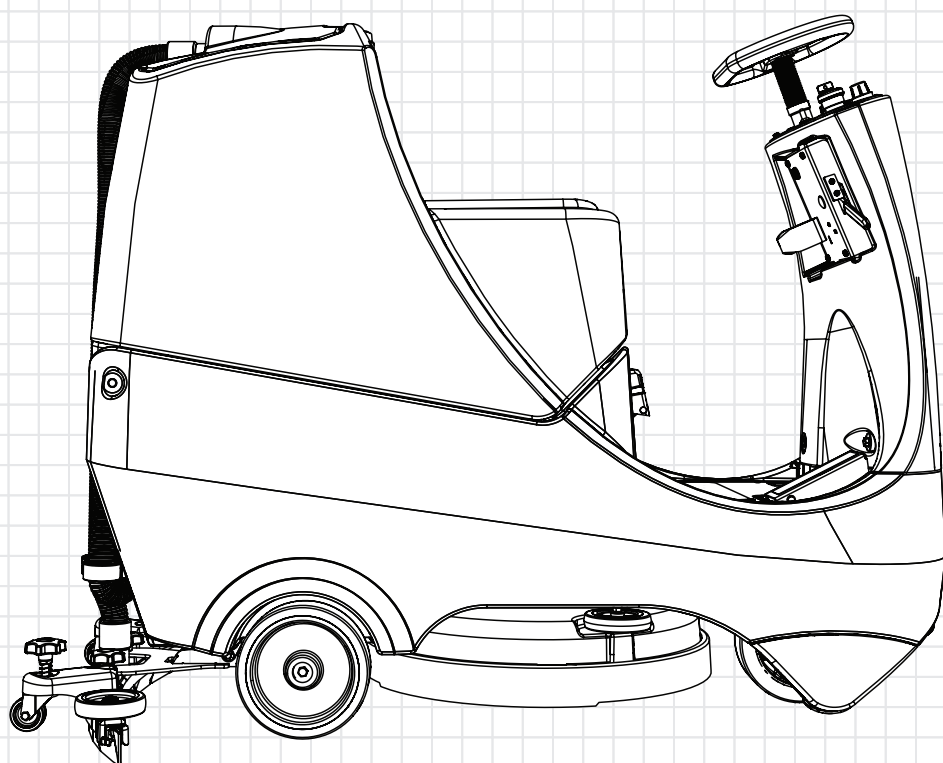


# CRG8055



## Service Engineer Exploded Drawings



### DISCLAIMER:

These drawings are for part order reference only and intended for service engineers use.

The installation of Genuine Numatic spare parts should only be executed by Certified Numatic service engineers who specialised and familiar with all relevant safety regulations.

Numatic International Ltd do not accept responsibility or liability for any loss or damage to property or person if repairs or servicing of products are carried out by non-certified persons.

Specifications and parts are subject to change without notice.

**Numatic International Spare Parts**

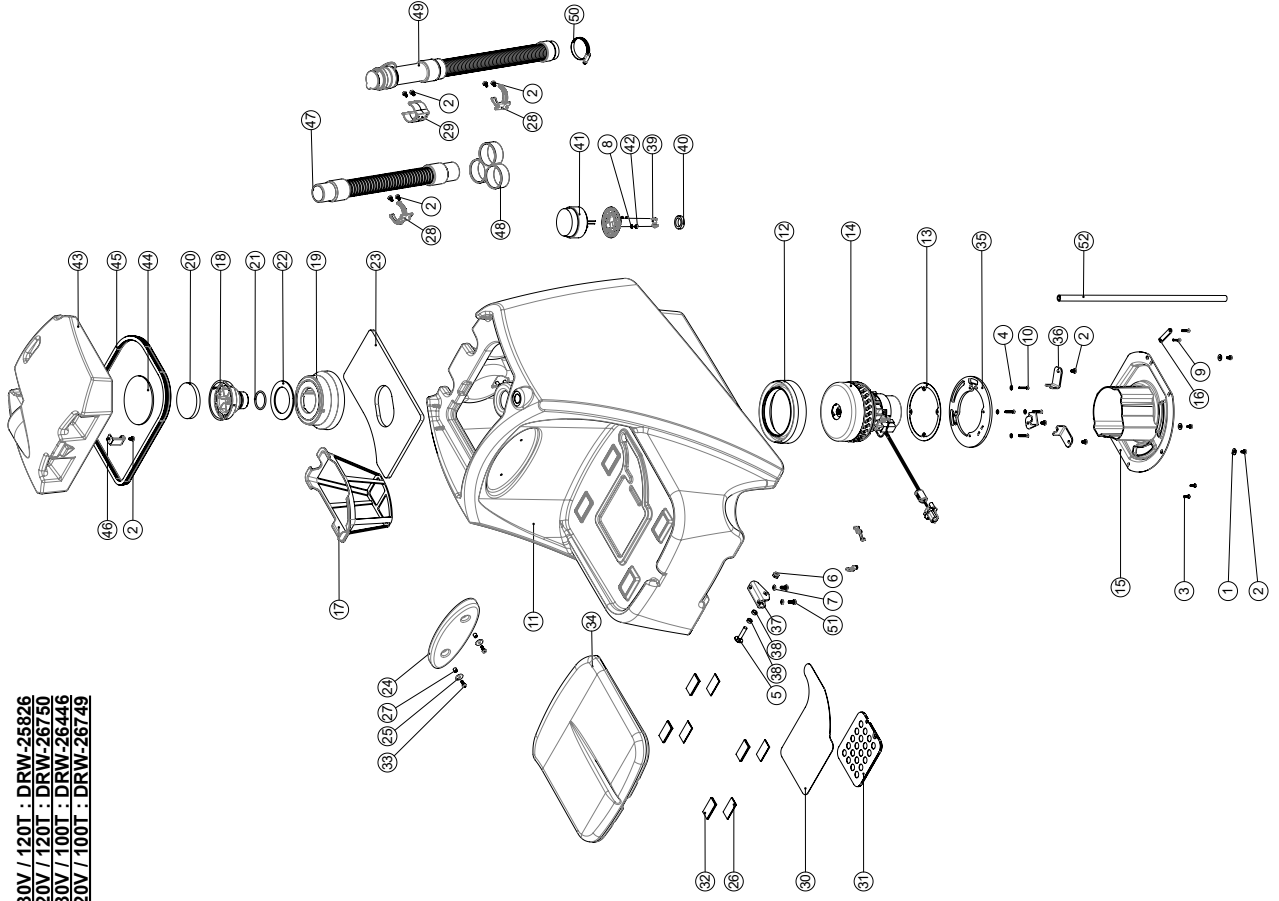
**Model No:** CRG8055 & CRG8072 TOP TANK ASSEMBLY

**NB: FOR WIRING SEE DRAWING:**

- 230V / 120T : DRW-25826
- 120V / 120T : DRW-26750
- 230V / 100T : DRW-26446
- 120V / 100T : DRW-26749

911732  
DRAWING: DRW-26084 ISS:A06  
18/11/201

9



**Numatic International Spare Parts**

**Model No:** CRG8055 & CRG8072 TOP TANK ASSEMBLY

ITEM:	PART No:	DESCRIPTION	COMMENTS:	QTY
1	219644	M5 FORM G STAINLESS STEEL WASHER		3
2	291135	M5 X 10MM LONG STAINLESS STEEL POZI PAN SEMS SCREW		13
3	219669	N08 X 1/2 INCH LONG POZI PAN STAINLESS STEEL PLASTITTE SCREW		2
4	219355	M5 FORM A STAINLESS STEEL WASHER		4
5	291120	M8 X 40 CARRIAGE BOLT S/S		1
6	219639	M8 STAINLESS STEEL NYLON INSERT NUT		1
7	219870	M6 FORM A WASHER STAINLESS STEEL		2
8	219688	M4 FORM A STAINLESS STEEL WASHER		2
9	219668	N08.3/4 INCH LG. POZI-PAN SCREW STAINLESS STEEL PLASTITTE		2
10	219369	N08 X 1 INCH LONG POZI PAN STAINLESS STEEL PLASTITTE SCREW		4
11	903722	MINI RIDE ON TOP TANK GRAPHITE		1
12	202069	BOTTOM MOTOR GASKET		1
13	202139	MOTOR GASKET		1
14	323258	VAC MOTOR 24V WITH PLUG AND FERRITE		1
15	237620	EXHAUST DIVERTER MouldING		1
16	392496	WIRE RETAINER		1
17	903542	GRIT FILTER BASKET (RED)		1
18	237618	AIR FILTER MouldING		1
19	237619	VAC SHUT OFF MouldING		1
20	208861	AIR FILTER		1
21	208860	O RING 39MM ID X 3.5MM DIA.		1
22	208858	LOWER SEALING RING		1
23	208980	CRO FOAM PAD		1
24	208864	BACK PAD MouldING		1
25	291118	M5 STAINLESS STEEL WASHER 19MM OD		2
26	208865	VELCRO LOOP 50 X 25 SELF ADHESIVE BACKED		4
27	208475	8MM SPACER		2
28	237754	35-38MM HOSE CLIP		2
29	237382	ACETAL HOSE CLIP MouldING		1
30	208983	SEAT SWITCH FLEXIBLE MEMBRANE		1
31	323290	PRESSURE PAD		1
32	280003	50MM X 25MM BACK TO BACK (HOOK & LOOP)		4
33	291132	M5 X 16MM LONG STAINLESS STEEL POZI PAN SEMS SCREW		2
34	208862	SEAT MouldING		1
35	906638	CRO MOTOR MOUNT PLATE		1
36	906637	CRO VAC MOTOR SUPPORT BRACKET		3
37	392455	GAS STRUT BRACKET - CARRIAGE BOLT		1
38	291121	NYLON SPACER I/D 8.2MM X O/D 12MM X 5MM LG		2
39	237681	BEACON MOUNT		1
40	208894	32MM O/D X 22MM I/D X 7MM SELF ADHESIVE GASKET		1
41	N/A	FLASHING XENON BEACON X80 SERIES		1
42	219687	M4 STAINLESS STEEL NYLON INSERT NUT		2
43	903725	MINI RIDE ON SEPARATOR GRAPHITE		1
44	208899	UPPER SEALING DISC		1
45	304503	1045mm LONG SEALING STRIP		1
46	330200	CRO SEPARATOR BRACKET ASSY		1
47	213061	SUCTION HOSE 1330MM X Ø38MM		1
48	237718	HOSE GUIDE		1
49	902468	35MM X 180MM STRETCH HOSE (3:1) CW ADJUSTABLE CUFF + CAP		1
50	219919	32MM-50MM STAINLESS STEEL HOSE CLIP		1
51	219646	M6 X 16MM LONG POZI PAN STAINLESS STEEL SCREW		2
52	391528	EXHAUST DIVERTER DRAIN HOSE 500MM LG		1
53	237730	SPRING CLIP		2
54	219683	N06 X 3/8 INCH LONG POZI PAN BLACK COUNTERSUNK PLASTITTE SCREW		4

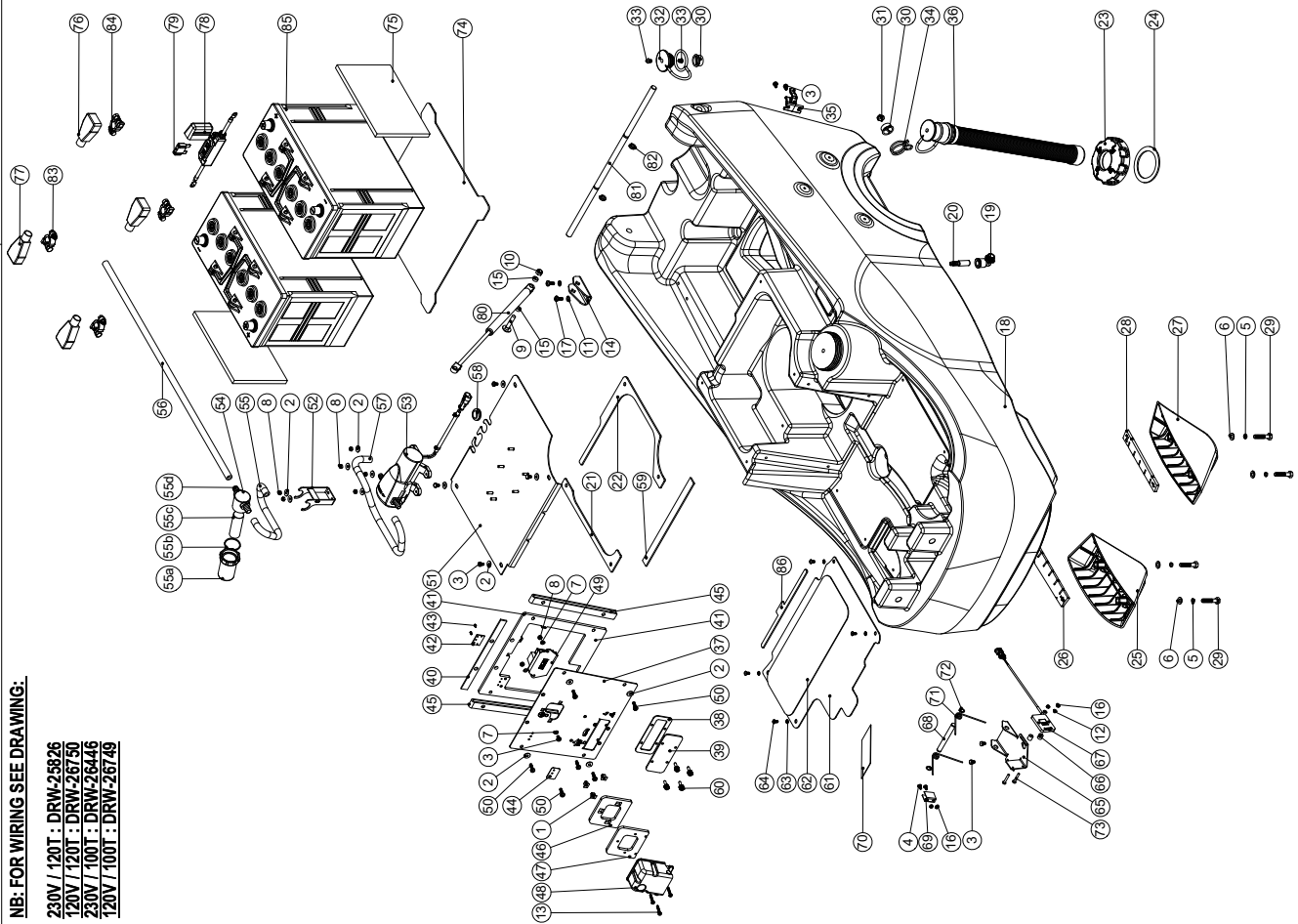
**Numatic International Spare Parts**

Model No: CRG8055 & CRG8072 BOTTOM TANK ASSEMBLY

911729  
DRAWING: DRW-26086 ISS:A12  
10/08/2021

NB: FOR WIRING SEE DRAWING:

- 230V / 120T : DRW-25826
- 120V / 120T : DRW-26750
- 230V / 100T : DRW-26446
- 120V / 100T : DRW-26749



**Numatic International Spare Parts**

Model No: CRG8055 & CRG8072 BOTTOM TANK ASSEMBLY

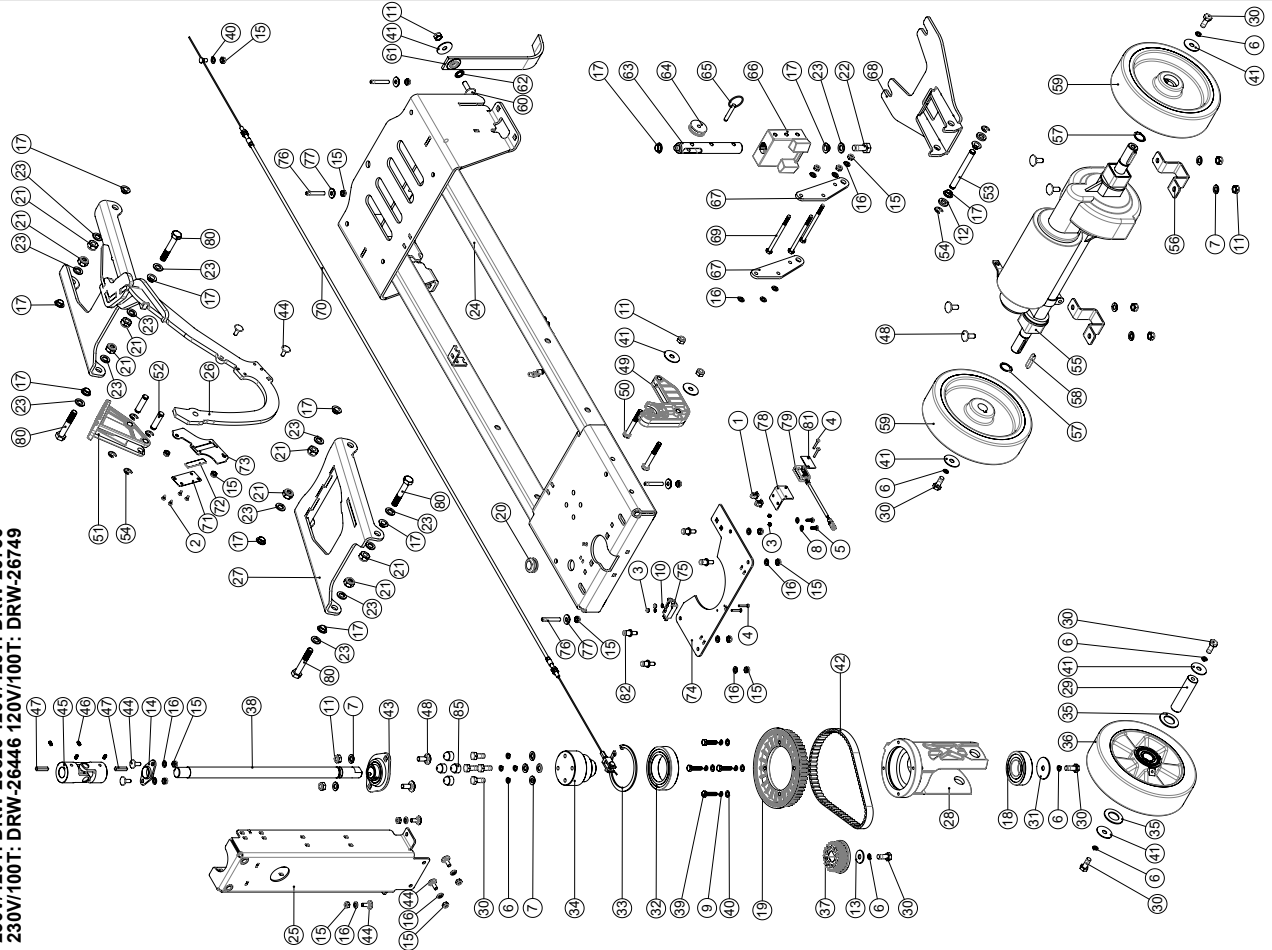
ITEM	PART NO	DESCRIPTION	COMMENTS	QTY
1	900886	NYLON GROMMET NUT (PLASTIC INSERT TO SUIT NO 8 PLASTITE SCREW)		1
2	219644	M5 FORN LG STAINLESS STEEL WASHER		14
3	291335	M5 X 10MM LONG STAINLESS STEEL POZI PAN SEMS SCREW		9
4	219697	M4 X 8MM LONG POZI PAN STAINLESS STEEL SCREW		2
5	219678	M4 FORN LG STAINLESS STEEL WASHER		4
6	219678	M4 FORN LG STAINLESS STEEL WASHER		4
7	219355	M5 FORN LG STAINLESS STEEL WASHER		8
8	219633	M5 STAINLESS STEEL NYLON INSERT NUT		3
9	291120	M8 X 40 CARRIAGE BOLT S/S		1
10	219639	M8 STAINLESS STEEL NYLON INSERT NUT		1
11	219870	M6 FORN LG WASHER STAINLESS STEEL		2
12	219638	M6 FORN LG LONG STAINLESS STEEL WASHER		2
13	219638	M6 FORN LG LONG STAINLESS STEEL WASHER		2
14	392455	GAS TRIT BRACKET - CARRIAGE BOLT	STEEL PLASTITE SCREW	2
15	291121	NYLON SPACER (D 8.2MM X O/D 12MM X 5MM LG)		2
16	219687	M4 STAINLESS STEEL NYLON INSERT NUT		4
17	219646	M6 X 16MM LONG POZI PAN STAINLESS STEEL SCREW		2
18	237682	MINI RIDE ON BOTTOM TANK 218 PARALLEL THREAD C/W ORING TO 12MM PUSH IN		1
19	901534	FLUSH IN BARREL CONNECTOR - 12MM OD, 8MM ID		1
20	901534	FLUSH IN BARREL CONNECTOR - 12MM OD, 8MM ID		1
21	203027	CRO PUMP PLATE GASKET RH		1
22	203027	CRO PUMP PLATE GASKET LH		1
23	237174	FILLER CAP WITH FILLER HOSE HOLE		1
24	208664	FILLER CAP SEALING RING		1
25	237684	BOTTOM TANK SCUFF Moulding RHS		1
26	237685	BOTTOM TANK SCUFF Moulding LHS		1
27	237685	BOTTOM TANK SCUFF Moulding LHS		1
28	392485	LHS SCUFF Moulding SPACER		1
29	291112	M8 X 40 LONG HEX BOLT STAINLESS STEEL		4
30	904108	FLOAT STOP Moulding		1
31	904109	FLOAT Moulding		1
32	903341	32MM HOSE CAP HED (C/W 8MM HOLE)		2
33	907133	SPRING WAVE CLAMP (VDNAC-180703866)		2
34	907133	SPRING WAVE CLAMP (VDNAC-180703866)		2
35	901816	28MM HOSE CLIP		1
36	903696	28MM X 370MM LONG 3:1 STRETCH HOSE C/W RED CAP & STRAP		1
37	906857	ELECTRONICS FRONT COVER ASSY PAINTED SILVER (CRG)		1
38	906859	FLUSE PANEL GASKET (CRG)		1
39	906855	FLUSE PANEL COVER		1
40	906863	FRONT COVER TOP GASKET		1
41	906863	FRONT COVER TOP GASKET		1
42	280002	CHARGER LED DISPLAY PCB		1
43	219878	M2 X 6MM LONG POZI PAN SCREW		2
44	280978	CHARGER LIGHTS OVERLAY		1
45	280008	FRONT COVER PLATE GASKET		2
46	904605	IEC SOCKET SPACER PP		1
47	904604	IEC SOCKET SECONDARY SPACER PP		1
48	904604	IEC SOCKET SECONDARY SPACER PP		1
49	904604	IEC SOCKET SECONDARY SPACER PP		1
50	904604	IEC SOCKET SECONDARY SPACER PP		1
51	392421	120V EMF FILTER WITH SOCKET COVER ASSEMBLY C/W FLAP		1
52	392421	120V EMF FILTER WITH SOCKET COVER ASSEMBLY C/W FLAP		1
53	392421	120V EMF FILTER WITH SOCKET COVER ASSEMBLY C/W FLAP		1
54	208888	EXTENDED STRAINER		1
55a	208880	EXTENDED STRAINER CLEAR BOWL		1
55b	208830	STRAINER GASKET		1
55c	208889	EXTENDED STRAINER 50 MESH SCREEN		1
55d	208827	STRAINER BLACK TOP		1
55e	391625	CRO FILTER TO PUMP TUBE 300MM LG		1
56	391626	CRO FILTER TO PUMP TUBE 300MM LG		1
57	391627	CRO PUMP TO BRUSH DECK SILICON TUBE 890MM LG		1
58	219834	GROMMET		1
59	906864	3MM X 19MM INSEAL TYPE 3259 (270MM)		1
60	904491	M5 X 16MM SLOT KNURLED THUMB SCREW NYLON (WHITE)		4
61	392421	FOOT PLATE		1
62	208998	ANTI-SLIP GRIP PAD (SELF ADHESIVE)		1
63	208998	ANTI-SLIP GRIP PAD (SELF ADHESIVE)		1
64	291009	M5 X 10MM LONG STAINLESS STEEL BUTTON HEAD SCREW		4
65	329841	ACCELERATOR HINGE PLATE		1
66	219874	NYLON SPACER		2
67	N/A	GILL SENSOR ASSEMBLY C/W EDAC & WAY PLUG		1
68	208046	CIRCUIT BAR		1
69	329842	GILL SENSOR ACTIVATOR PLATE - PAINTED SILVER GREY		1
70	208047	TORISON SPRING (LEFT HAND)		1
71	208047	TORISON SPRING (LEFT HAND)		1
72	219566	10MM EXTERNAL CIRCUIT		2
73	291165	M4 X 25MM LONG POZI SCREW STAINLESS STEEL		2
74	392501	BATTERY PLATE		2
75	208645	FOAM BATTERY SPACER	100AH MODELS USE 4	2
76	907478	RED BATTERY TERMINAL COVER (Ø15.9)		2
77	907479	BLACK BATTERY TERMINAL COVER (Ø15.9)		2
78	903175	IP67 FUSE HOLDER - LITTELFUSE MAHC00012XJ.210.RING.RING		1
79	210477	40 AMP MAXI FUSE		1
80	208907	GANTRY RING WITH FITTINGS 100MM		1
81	208907	GANTRY RING WITH FITTINGS 100MM		1
82	208907	PLASTIC FIXING RING		2
83	220455	BATTERY TERMINAL CONVERTOR		2
84	220454	POSITIVE BATTERY TERMINAL CONVERTOR		2
85	230262	SONNENSCHEN 120AH BATTERY		2
86	230138	98 AH STUD TERMINAL GEL TYPE BATTERY		2
87	290114	SPOT PLATE		2
88	219683	166 X 36MM LONG POZI PAN BLACK COUNTERSINK PLASTITE SCREW		4

**Numatic International Spare Parts**

**Model No:** CRG8055 & CRG8072 CHASSIS ASSEMBLY

911730  
DRAWING: DRW-26083 ISS:A08  
18/11/201

NB: FOR WIRING SEE DRAWING:  
230V/120T: DRW-25826 120V/120T: DRW-26750  
230V/100T: DRW-26446 120V/100T: DRW-26749



**Numatic International Spare Parts**

**Model No:** CRG8055 & CRG8072 CHASSIS ASSEMBLY

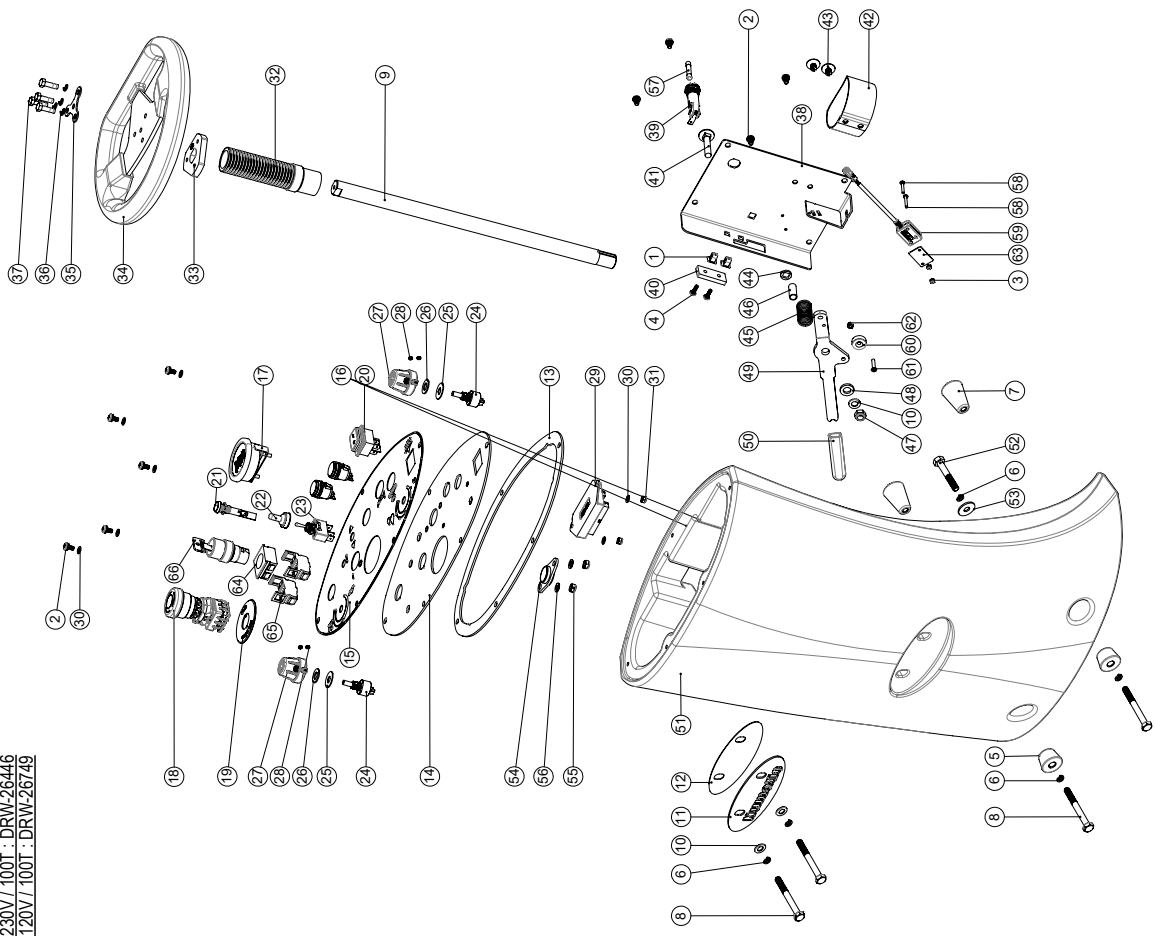
ITEM:	PART No:	DESCRIPTION	QTY
1	900986	NYLON GROMMET NUT (PLASTIC INSERT TO SUIT No 8 PLASTITE SCREW)	1
2	208963	SNAP BLACK RIVET (REF SR-3056B)	4
3	291154	M3 NYLON INSERT NUT - STAINLESS STEEL	4
4	291154	M3 X 20MM LONG POZI PAN SCREW STAINLESS STEEL	4
5	219569	No 8 X 1/2 INCH LONG POZI PAN STAINLESS STEEL PLASTITE SCREW	4
6	219888	M8 SINGLE COIL STAINLESS STEEL WASHER	10
7	219578	M8 FORM A STAINLESS STEEL WASHER	10
8	219355	M5 FORM A STAINLESS STEEL WASHER	2
9	219718	WASHER M6 SPRING STAINLESS STEEL	4
10	219501	M3 FORM A STAINLESS STEEL WASHER	2
11	219639	M8 STAINLESS STEEL NYLON INSERT NUT	9
12	219964	NYLON WASHER (18MM O/D X 10.4MM I/D X 3MM THICK)	2
13	219716	M8 FORM G STAINLESS STEEL WASHER	1
14	208110	IGUS (R) 2 BOLT PLAIN BEARING 20MM ID	20
15	219642	M6 STAINLESS STEEL NYLON INSERT NUT	20
16	219870	M6 FORM A WASHER STAINLESS STEEL	12
17	208330	IGUS BEARING (GFM 101206)	16
18	208878	BEARING ID30MM O/D62MM	1
19	237680	LARGE PULLEY 56TH	1
20	208143	20MM GROMMET X 6MM PANEL THICKNESS	1
21	219897	M10 STAINLESS STEEL NYLON INSERT NUT	8
22	291141	M10 X 25MM LG HEX HEAD SCREW STAINLESS STEEL C/W THREADLOCK	13
23	291163	NYLON WASHER 18MM O/D X 10.5MM I/D X 2MM	1
24	906674	CRG CHASSIS WELD ASSEMBLY PAINTED SILVER	1
25	906647	STEERING COLUMN SUPPORT ASSEMBLY PAINTED SILVER	1
26	906681	DECK LINK & PEDAL ARM WELD ASSY (CRG) ZIPL	1
27	906688	PEDAL LINK ARM WELD ASSEMBLY (CRG) ZIPL	1
28	208989	STEERING YOKE	1
29	291110	AXLE 20MM O/D X 77MM LONG	10
30	291140	M8 X 20MM LG HEX HEAD SCREW STAINLESS STEEL C/W THREADLOCK	1
31	392361	STEERING WASHER	1
32	208671	BEARING ID50MM O/D60MM	1
33	208672	SPRINGER SPRING	1
34	291162	M6 FORM B STAINLESS STEEL WASHER	2
35	204126	WHEEL 200 X 50MM ALU WHEEL	1
36	237679	SMALL PULLEY 22TH	1
37	906648	LOWER STEERING SHAFT (CRG)	1
38	906648	LOWER STEERING SHAFT (CRG)	1
39	219925	M6 X 22MM LONG STAINLESS STEEL HEX SCREW	4
40	219560	M6 FORM B STAINLESS STEEL WASHER	5
41	219877	M8 X 30 STAINLESS STEEL WASHER	7
42	208897	BELT (GATES-GT3 560 8MGT 15MM)	1
43	208884	2 PART PRESSED FLANGE BEARING	1
44	291103	M6 X 16 COACH BOLT S/S	8
45	206936	UNIVERSAL JOINT	1
46	219784	M5 X 8MM LONG BLACK OXIDISED GRUB SCREW	4
47	905374	UNIVERSAL JOINT KEY	2
48	291104	M8 X 20 COACH BOLT S/S	6
49	237677	LATCH MOULDING	1
50	291157	M8 X 60MM LONG HEX BOLT STAINLESS STEEL	2
51	903860	PEDAL MOULDING (RED)	2
52	291097	38 X 10MM BAR (E TYPE CLIP)	2
53	291098	94 X 10MM BAR (E TYPE CLIP)	6
54	291107	E TYPE CLIP (TO SUIT 10mm BAR)	1
55	205190	530MM ASI TRANSAXLE 21:1 HIGH SPEED (MK400)	2
56	329780	TRANSAXLE CLAMP	2
57	219889	19MM HEAVY DUTY CIRCLIP	2
58	206744	6MM X 6MM X 32MM FEATHER KEY	2
59	901209	200 X 50 TRACTION WHEEL (PLASTIC)	2
60	902010	M8 X 25 COACH BOLT S/S	2
61	903683	ANTI-STATIC STRAP (CUT TO LENGTH: 270MM LONG)	1
62	291062	M10 INTERNAL LOCK WASHER STAINLESS STEEL	1
63	291100	SQUEEGEE PIVOT BAR	1
64	208698	NYLON PULLEY 32MM OD	1
65	206953	DETENT PINS	1
66	237676	MULTI BLOCK MOULDING	1
67	392436	PIVOT SIDE PLATE	2
68	304516	MOOSE PLATE WELD ASSEMBLY	1
69	291021	M6 X 90MM LONG STAINLESS STEEL HEXAGONAL HEAD BOLT	3
70	291099	CRG 8055 SQ. LIFT CABLE	1
71	906662	MAGNET COVER (CRG)	1
72	906661	MAGNET (50 X 10 X 15mm)	1
73	906669	CRG SWITCH PLATE	1
74	906682	IP RATED MICROSWITCH	1
75	208982	IP RATED MICROSWITCH WITH ROLLER	1
76	291158	M6 X 10MM LONG GRUB SCREW STAINLESS STEEL C/W THREADLOCK	4
77	219647	M6 FORM G STAINLESS STEEL WASHER	4
78	906653	CRG REED SWITCH ASSEMBLY	1
79	904501	REED SWITCH ASSEMBLY	1
80	219894	M10 X 60MM LONG HEXAGONAL STAINLESS STEEL BOLT	4
81	906617	REED SWITCH WASHER PLATE	4
82	907241	M6 X 15 RIVET STD	4
83	237730	SPRING CLIP	2
84	219683	No 6 X 3/8 INCH LONG POZI PAN BLACK COUNTERSUNK PLASTITE SCREW	4
85	903260	M8 BOLT AND NUT CAP	4

**Numatic International Spare Parts**  
**Model No:** CRG8055 & CRG8072 FRONT COLUMN ASSEMBLY

911731  
 DRAWING: DRW-26088 ISS:A15  
 05/10/2022

NB: FOR WIRING SEE DRAWING.

- 230V / 120T : DRW-25826
- 120V / 120T : DRW-26750
- 230V / 100T : DRW-26446
- 120V / 100T : DRW-26749



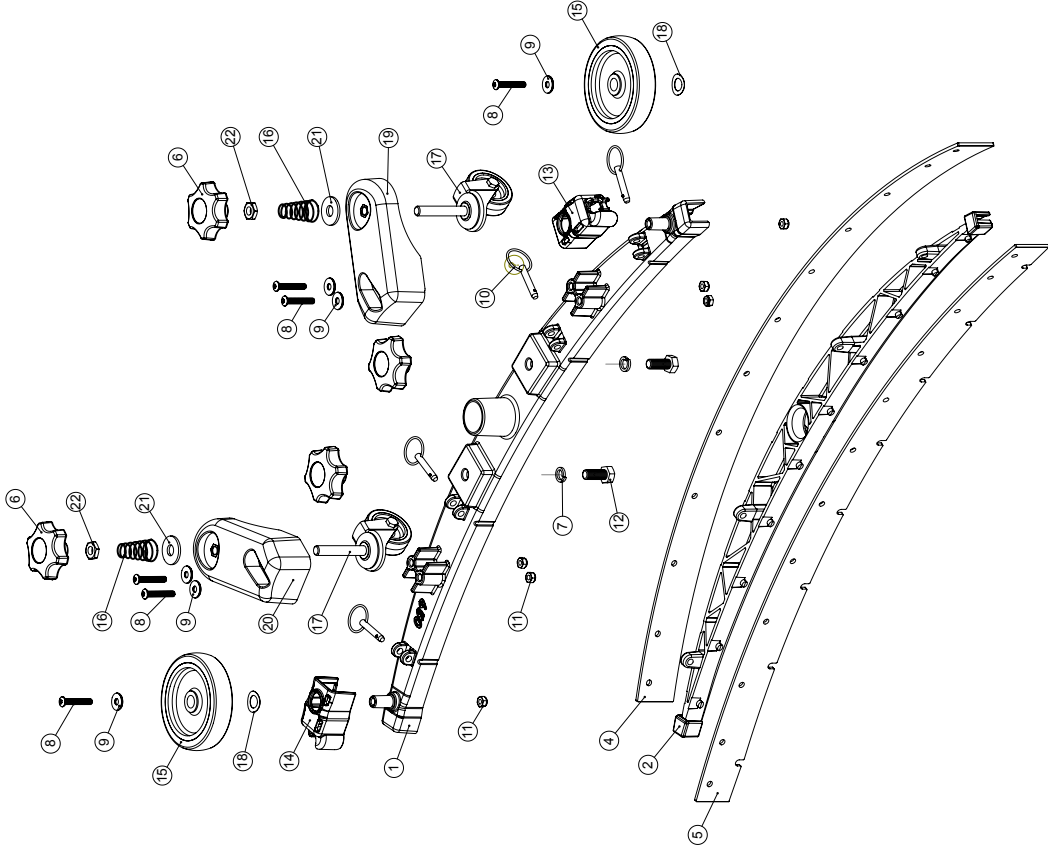
**Numatic International Spare Parts**  
**Model No:** CRG8055 & CRG8072 FRONT COLUMN ASSEMBLY

ITEM:	PART No:	DESCRIPTION	COMMENTS:	QTY:
1	900986	NYLON GROMMET NUT (PLASTIC INSERT TO SUIT No 8 PLASTITE SCREW)		2
2	291135	M5 X 10MM LONG STAINLESS STEEL POZI PAN SEMS SCREW		9
3	291154	M3 NYLON INSERT NUT STAINLESS STEEL		2
4	219569	No8 X 1/2 INCH LONG POZI PAN STAINLESS STEEL PLASTITE SCREW		2
5	208904	TAPERED BUSH (CLEARANCE)		2
6	219888	M8 SINGLE COIL STAINLESS STEEL WASHER		5
7	208903	TAPERED BUSH (TAPPED)		2
8	902517	M8 X 70MM LONG HEX BOLT STAINLESS STEEL		4
9	906649	UPPER STEERING SHAFT (CRG)		1
10	219578	M8 FORM A STAINLESS STEEL WASHER		3
11	392463	NUMATIC NAME PLATE		1
12	906731	NAME PLATE SPACER (RED PIP)	NACE ONLY	1
13	203040	CRG CONTROL PANEL GASKET (LOWER)		1
14	906632	CRG CONTROL PANEL C/W CLINCH STUDS PAINTED SIVER		1
15	906636	CRG CONTROL PANEL OVERLAY		1
16	906658	SEALED PUSHBUTTON SWITCH SINGLE POLE		2
17	914620	BATTERY DISCHARGE INDICATOR + HOUR METER 24V	O-RING INCLUDED	1
18	904087	EMERGENCY STOP (XVIIE-BV412MFR)		1
19	904086	EMERGENCY STOP NAME PLATE (HMAV-27-Y)		1
20	902235	SWITCH DPST RED ILLUMINATED WITH MEMBRANE 24V		1
21	907298	24V LED GREEN INDICATOR (H02750SSG6)		1
22	206785	SWITCH COVER C/W NUT		1
23	206786	SWITCH		1
24	270316	ON/OFF METER TYPE P-630 20% OHMS 3W (WITH PANEL SEAL) (ROUND SHAFT WITH FLAT END SLOT IN SHAFT END)		2
25	904094	SPEED CONTROL GASKET		2
26	219903	M10 FORM A STAINLESS STEEL WASHER		2
27	903498	SPEED ADJUSTMENT KNOB C/W INSERT (RED)		4
28	219744	M4 X 6MM LONG BLACKODISED GRUB SCREW		2
29	904179	Terminal Block Assembly		1
30	219355	M6 FORM A STAINLESS STEEL WASHER		7
31	219633	M5 STAINLESS STEEL NYLON INSERT NUT		2
32	280023	STEERING SHAFT COVER HOSE 135MM LONG		1
33	404214	STEERING WHEEL PLATE		1
34	208900	GSL 255MM STEERING WHEEL		1
35	392500	STEERING WHEEL TOP PLATE		1
36	219718	WASHER M6 SPRING STAINLESS STEEL		4
37	291144	M6 X 20MM LG HEAD SCREW STAINLESS STEEL C/W THREADLOCK		4
38	906634	CRG FLOOR TOOL LIFTING HANDLE BRACKET WELD ASSY		1
39	903032	BULGIN PANEL MOUNT FUSEHOLDER		1
40	906635	GUIDER (PP)		1
41	291120	M8 X 40 CARRIAGE BOLT S/S		1
42	906639	BOTTLE PLATE (RED)		2
43	208024	PUSH IN BARBED FASTENER		2
44	906640	CARRIAGE BOLT SPACER		1
45	219592	COMPRESSION SPRING		1
46	906651	SPACER (S/S 10MM O/D 8MM I/D X 22MM LONG)		1
47	219639	M8 STAINLESS STEEL NYLON INSERT NUT		1
48	219864	NYLON WASHER (18MM O/D X 10.4MM I/D X 3MM THICK)		1
49	392431	FLOOR TOOL LIFTING HANDLE		1
50	903870	LEVER HANDLE MOULDING RED		1
51	903721	MINI RIDE ON STEERING COLUMN GRAPHITE		1
52	906704	M8 X 50MM LONG HEX BOLT STAINLESS STEEL		1
53	219716	M8 FORM G STAINLESS STEEL WASHER		1
54	208110	IGUS (R) 2 BOLT PLAIN BEARING 20MM I/D		1
55	219642	M6 STAINLESS STEEL NYLON INSERT NUT		2
56	219870	M6 FORM A WASHER STAINLESS STEEL		2
57	903066	FUSE 2.5A (6.3x32)		1
58	291155	M3 X 20MM LONG POZI PAN SCREW STAINLESS STEEL		2
59	904501	REED SWITCH ASSEMBLY		1
60	208382	MAGNET (19MM O/D)		1
61	907092	M4 X 20MM LG. POZI CSK SCREW (STAINLESS STEEL)		1
62	219687	M4 STAINLESS STEEL NYLON INSERT NUT		1
63	906617	REED SWITCH WASHER PLATE		1
64	907150	FIXING ADAPTER (020G)		1
65	907151	TERMINAL BLOCK N.O. (020E10)		1
66	907149	KEY SWITCH SELECTOR (020SCA1)	907208 SPARE KEYS	2

**Numatic International Spare Parts**  
**Model No: 650 TWINTEC ALUMINIUM FLOOR TOOL (38MM HOSE, RED TRIM, SERILOR BLADES)**

903347  
 Internal Code: DRAWING: DRW-22621 ISS:A09  
 PRO 27/03/2018

NB: FOR WIRING SEE DRAWING: N/A



**Numatic International Spare Parts**

**Model No: 650 TWINTEC ALUMINIUM FLOOR TOOL (38MM HOSE, RED TRIM, SERILOR BLADES)**

ITEM:	PART No:	Description	Qty
1	208198	(650MM SCRUB WIDTH) ALUMINIUM SQUEEGEE CASTING (38MM HOSE FITTING)	1
2	903345	(650MM SCRUB WIDTH) RED BLADE HOLDER Moulding (SLOPING PROFILE) (32MM & 38MM HOSE FITTING)	1
	900518	650 REPLACEMENT SERILOR GREEN POLYURETHANE BLADES SET	
4	208970	(650MM SCRUB WIDTH) REPLACEMENT (4.0MM / 35-45 SHORE A) REAR LAMINATED SERILOR POLYBLADE (847MM LONG)	1
5	208987	(650MM SCRUB WIDTH) REPLACEMENT (3.2MM / 40 SHORE A) FRONT MONOLAYER SERILOR POLYBLADE (819MM LONG)	1
6	903281	M10 LOBE KNOB (RED)	4
7	219889	M10 SINGLE COIL STAINLESS STEEL WASHER	2
8	219933	M6 X 35MM SOCKET BUTTON HEAD BOLT STAINLESS STEEL	6
9	219647	M6 FORM G STAINLESS STEEL WASHER	6
10	206953	DETENT PINS	4
11	219642	M6 STAINLESS STEEL NYLON INSERT NUT	6
12	219909	M10 X 25MM LONG HEXAGONAL STAINLESS STEEL SCREW	2
13	237322	RIGHT HAND FLOOR TOOL CLIP Moulding	1
14	237323	LEFT HAND FLOOR TOOL CLIP Moulding	1
15	208796	4 INCH WHEEL	2
16	229175	CONICAL SPRING	2
17	907759	50MM DIAMETER GREY TPR TYRED SWIVEL CASTOR C/W M10 X 60 SWAGED STEM.	2
18	219891	13MM WAVEY WASHER	2
19	906860	ADJUSTABLE FLOOR TOOL CASTOR PLASTIC PLATE LEFT	1
20	906859	ADJUSTABLE FLOOR TOOL CASTOR PLASTIC PLATE RIGHT	1
21	291124	M10 PENNY WASHER STAINLESS STEEL	2
22	219951	A4 (STAINLESS STEEL) M10 HEX LOCK NUT (HALF NUT)	2

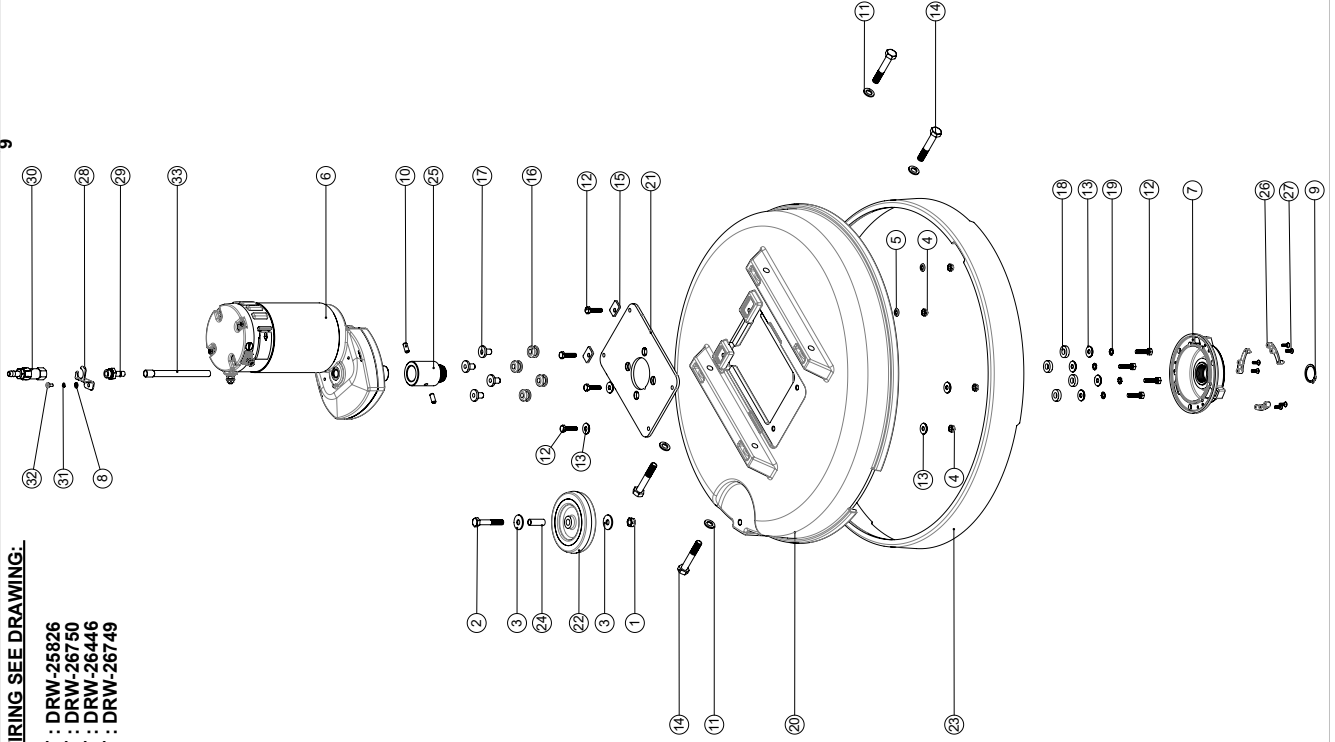
**Numatic International Spare Parts**

**Model No:** CRG8055 BRUSH DECK ASSEMBLY

**NB: FOR WIRING SEE DRAWING:**

- 230V / 120T : DRW-25826
- 120V / 120T : DRW-26750
- 230V / 100T : DRW-26446
- 120V / 100T : DRW-26749

911728  
DRAWING: DRW-26082 ISS:A07  
18/11/201



**Numatic International Spare Parts**

**Model No:** CRG8055 BRUSH DECK ASSEMBLY

ITEM:	PART No:	DESCRIPTION	COMMENTS:	QTY
1	219639	M8 STAINLESS STEEL NYLON INSERT NUT		1
2	906704	M8 X 50MM LONG HEX BOLT STAINLESS STEEL		1
3	219716	M8 FORM G STAINLESS STEEL WASHER		2
4	219642	M6 STAINLESS STEEL NYLON INSERT NUT		4
5	219870	M6 FORM A WASHER STAINLESS STEEL		2
6	205192	MRP6 IP20 AMER MOTOR		1
7	230285	MODIFIED CHUCK (CRO)		1
8	219688	M4 FORM A STAINLESS STEEL WASHER		1
9	230048	26MM EXTERNAL CIRCLIP		1
10	291139	6MM X 16MM STAINLESS STEEL ROLL PIN		2
11	291163	NYLON WASHER 18MM O/D X 10.5MM I/D X 2MM		4
12	219825	M6 X 25MM LONG STAINLESS STEEL HEX SCREW		8
13	219847	M6 FORM G STAINLESS STEEL WASHER		8
14	219894	M10 X 60MM LONG HEXAGONAL STAINLESS STEEL BOLT		4
15	906862	FIXING SPACER		2
16	229025	STANDARD GROMMET		4
17	208011	MOTOR MOUNTING SPACER		4
18	906861	SPACER Ø9MM ID X Ø19MM OD X 5MM		4
19	902353	M6 EXTERNAL SHAKEPROOF WASHER STAINLESS STEEL		4
20	906863	DECK MOULDING (PROCESSED)		1
21	906865	MOTOR PLATE (CRG8055) ZPL		1
22	303942	100MM DIA WHEEL MODIFIED BORE (10.1MM DIAMETER)		1
23	237609	550MM SPLASH SKIRT		1
24	391623	S/S 10MM O/D 8MM I/D X 28MM LONG		1
25	208933	MINI RIDE ON DRIVE SHAFT		1
26	237730	SPRING CLIP		3
27	219883	No6 X 3/8 INCH LONG POZI PAN BLACK COUNTERSUNK PLASTITE SCREW		6
28	392405	NRV MOUNTING BRACKET		1
29	208965	8MM X 1/2" BSP MALE STAND PIPE NICKEL PLATED (17MM A/F)		1
30	208966	NON RETURN VALVE C/W 10MM HOSE TAIL NICKEL PLATED		1
31	291146	M4 SINGLE COIL SPRING WASHER STAINLESS STEEL		1
32	291164	M4 X 8MM LONG TORX PAN TAPTITE SCREW S/S		1
33	330206	MOTOR SHAFT INSERT		1

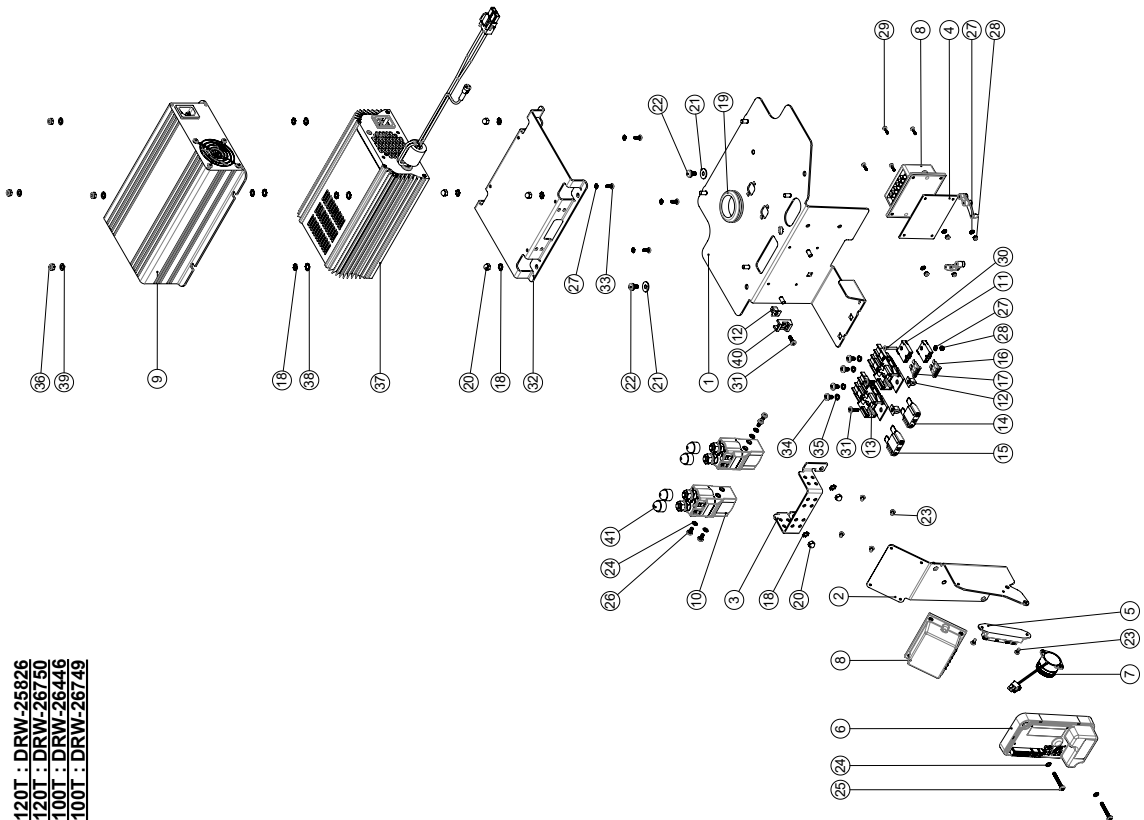
**Numatic International Spare Parts**

**Model No:** CRG8055 & CRG8072 ELECTRONICS ASSEMBLY

**NB: FOR WIRING SEE DRAWING:**

- 230V / 120T : DRW-25826
- 120V / 120T : DRW-26750
- 230V / 100T : DRW-26446
- 120V / 100T : DRW-26749

911733  
DRAWING: DRW-26081  
18/11/201



**Numatic International Spare Parts**

**Model No:** CRG8055 & CRG8072 ELECTRONICS ASSEMBLY

ITEM:	PART No:	DESCRIPTION	COMMENTS:	QTY
1	908644	CHARGER PLATE C/W CLINCH STUDS PAINTED SILVER		1
2	908642	MOTOR CONTROLLER PLATE ASSEMBLY PAINTED SILVER		1
3	908650	CONTACTOR BRACKET (CRG) MIS PAINTED SILVER		1
4	908660	MOTOR CONTROLLER ALL PLATE		1
5	208909	POTTED TERMINAL BLOCK ASSEMBLY		1
6	908686	PROGRAMMED 70A MOTOR CONTROLLER (CRG)		1
7	908671	24V DC BUZZER C/W CONNECTOR		1
8	905341	KEMO PWM POWER CONTROL 10A M171		2
9	230261	NUMATIC 600W CHARGER		1
10	903736	24V ALBRIGHT CONTACTOR (SU60-2009)		2
11	906564	ATO FUSE HOLDER (FKH SERIES)		2
12	900886	NYLON GROMMET NUT (PLASTIC INSERT TO SUIT No 8 PLASTITE SCREW)		3
13	230102	FUSE HOLDER RATED AT 60 AMPS		2
14	230104	30 AMP MAXI FUSE		1
15	22 091	20 AMP MAXI FUSE		1
16	908573	10 AMP FUSE		1
17	908570	4 AMP FUSE		1
18	291020	M5 STAINLESS STEEL EXTERNAL SHAKEPROOF LOCK WASHER		12
19	208029	GROMMET (32MM I/D)		1
20	219645	M5 STAINLESS STEEL DOME NUT		8
21	219644	M5 FORM G STAINLESS STEEL WASHER		2
22	291135	M5 X 10MM LONG STAINLESS STEEL POZI PAN SEMS SCREW		2
23	208963	SNAP BLACK RIVET (REF SR-3055B)		6
24	291145	M4 SHAKEPROOF WASHER STAINLESS STEEL		6
25	219913	M4 X 30MM LONG POZI PAN STAINLESS STEEL SCREW		2
26	219697	M4 X 8MM LONG POZI PAN STAINLESS STEEL SCREW		4
27	904219	M3 STAINLESS STEEL EXTERNAL SHAKEPROOF WASHER		9
28	291154	M3 NYLON INSERT NUT STAINLESS STEEL		5
29	902534	M3 X 10MM LONG POZI PAN SCREW STAINLESS STEEL		4
30	291155	M3 X 20MM LONG POZI PAN SCREW STAINLESS STEEL		1
31	219669	No8 X 1/2 INCH LONG POZI PAN STAINLESS STEEL PLASTITE SCREW		3
32	908846	CHARGER PLATE CRG (NORD) MIS PAINTED SILVER	MODELS WITH NORD CHARGER	1
33	902533	No6 X 3/8 INCH LONG POZI PAN SELF TAP SCREW STAINLESS STEEL	MODELS WITH NORD CHARGER	4
34	219864	M5 X 8MM LONG POZI-PAN SCREW Z/PL		4
35	219861	M5 SINGLE COIL STAINLESS STEEL WASHER		4
36	219633	M5 STAINLESS STEEL NYLON INSERT NUT		4
37	907222	230V / 24V 10AMP HF NORD CHARGER		4
	907223	120V / 24V 10AMP HF NORD CHARGER	230V 10A CHARGER	1
	907223	120V / 24V 10AMP HF NORD CHARGER	120V 10A CHARGER	1
38	902353	M6 EXTERNAL SHAKEPROOF WASHER STAINLESS STEEL		4
39	219355	M5 FORM A STAINLESS STEEL WASHER		4
40	220904	CABLE CLIP PLATFORM		1
41	903260	M8 BOLT AND NUT CAP		4
42	237730	SPRING CLIP		2
43	219663	No6 X 3/8 INCH LONG POZI PAN BLACK COUNTERSUNK PLASTITE SCREW		4



**Numatic International Limited (Head Office)**

Chard, Somerset TA20 2GB, UNITED KINGDOM

Tel: 01460 68600 numatic.com

**Numatic International GmbH**

Fränkische Straße 15-19, 30455 Hannover, DEUTSCHLAND

Tel: +49 (0) 511 984 2160 numatic.de

**Numatic International Denmark**

Fränkische Straße 15-19, 30455 Hannover, DEUTSCHLAND

Tel: +45 (0) 316 40808 numatic-online.dk

**Numatic International S.A.S**

13/17 rue du Valengelier, EAE la Tuilerie, 77500 Chelles, FRANCE

Tel: +33 (0) 164 726 161 numatic.fr

**Numatic International BV**

Vennootsweg 15, 2404 CG, Alphen aan den Rijn, NEDERLAND

Tel: +31 (0) 172 467 999 numatic.nl

**Numatic International Schweiz AG.**

Sihlbruggstrasse 3A, 6340 Baar, SCHWEIZ

Tel: +41 (0) 41 768 0760 numatic.ch

**Numatic International (PTY) Ltd.**

Cnr. 16th &amp; Pharmaceutical Road, Randjes Park, Midrand 1685, SOUTH AFRICA

Tel: +27 (0) 861 686 284 numatic.co.za

**Numatic International ULDA**

Rua Francisco da Silva Duarte, nº79,

4475-269 Santa Maria de Avioso, Castelo da Maia, PORTUGAL

Tel: +351 220 047 700 numatic.pt

**Numatic International Spain, S.L.U.**

Av. Baix Llobregat, 5-7, Oficina bajos 1 (Parc Negocis Mas Blau II)

08820 El Prat de Llobregat (Barcelona), SPAIN

Tel: +34 93 647 22 22 numatic.es

**Numatic International Italy S.R.L**

Via Luigi Galvani, 2, Z.I. Talponedo, 33080 Porcia (PN), ITALY

Tel: +39 (0) 434 046 211 numatic.it