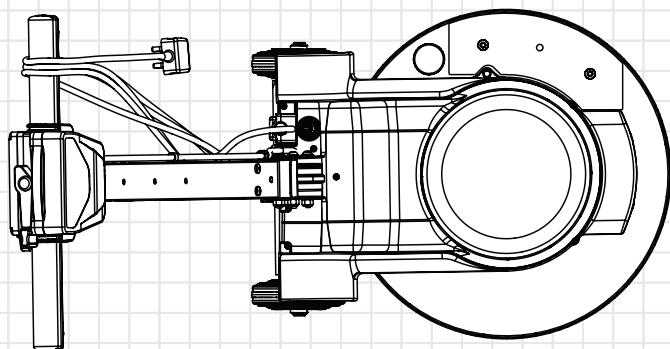
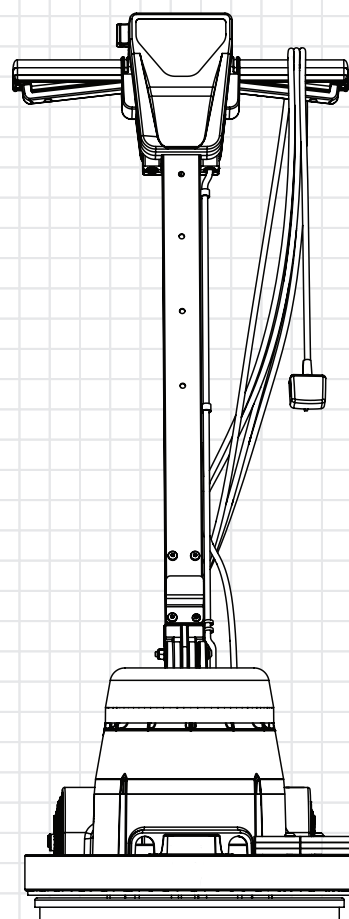
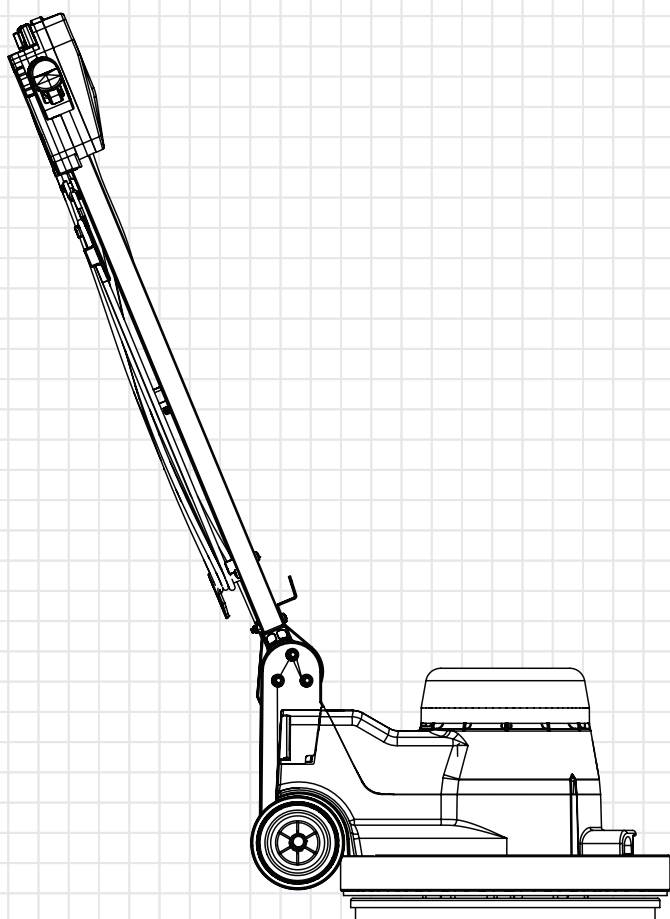


NRS450



Service Engineer Exploded Drawings



DISCLAIMER:

These drawings are for part order reference only and intended for service engineers use.

The installation of Genuine Numatic spare parts should only be executed by Certified Numatic service engineers who specialised and familiar with all relevant safety regulations.

Numatic International Ltd do not accept responsibility or liability for any loss or damage to property or person if repairs or servicing of products are carried out by non-certified persons.

Specifications and parts are subject to change without notice.

HAFTUNGSAUSSCHLUSS:**DE**

Diese Zeichnungen dienen nur als Referenz für Teilebestellungen und sind nur für den Gebrauch durch Servicetechniker bestimmt.

Die Montage von originalen Numatic-Ersatzteilen darf nur von zertifizierten Numatic-Servicetechnikern ausgeführt werden, die mit allen relevanten Sicherheitsvorschriften vertraut sind.

Numatic International Ltd übernimmt keine Verantwortung oder Haftung für Verluste oder Schäden an Eigentum oder Personen, wenn Reparaturen oder Wartungsarbeiten an Produkten von nicht zertifizierten Personen durchgeführt werden.

Technische Daten und Teile können ohne vorherige Ankündigung geändert werden.

CLAUDE DE NON-RESPONSABILITÉ:**FR**

Ces schémas sont fournis à titre de référence de commande de pièces uniquement et sont destinés aux techniciens de maintenance.

L'installation de pièces de rechange Numatic d'origine doit être effectuée uniquement par des techniciens de maintenance Numatic certifiés spécialisés et familiarisés avec toutes les règles de sécurité applicables.

Numatic International Ltd décline toute responsabilité en cas de perte ou de dommage matériel ou personnel si des réparations ou l'entretien des produits sont effectués par des personnes non certifiées.

Les spécifications et les pièces sont susceptibles d'être modifiées sans préavis.

DISCLAIMER:**NL**

Deze tekeningen zijn uitsluitend bedoeld als referentie voor het bestellen van onderdelen en voor gebruik door servicemonteurs.

De installatie van originele reserveonderdelen van Numatic mag alleen worden uitgevoerd door gecertificeerde servicemonteurs van Numatic die gespecialiseerd zijn en bekend zijn met alle relevante veiligheidsvoorschriften.

Numatic International Ltd aanvaardt geen verantwoordelijkheid of aansprakelijkheid voor verlies of schade aan eigendommen of personen als reparaties of onderhoud aan producten worden uitgevoerd door niet-gecertificeerde personen.

Specificaties en onderdelen kunnen zonder voorafgaande kennisgeving worden gewijzigd.

RENÚNCIA DE RESPONSABILIDADE:**PT**

Estes desenhos servem apenas como referência para a encomenda de peças e destinam-se a ser utilizados pelos técnicos de assistência.

A instalação de peças sobresselentes genuínas da Numatic só deve ser efetuada por técnicos de assistência certificados da Numatic que se especializem e familiarizem com todos os regulamentos de segurança relevantes.

A Numatic International Ltd não aceita qualquer responsabilidade por perdas ou danos materiais ou pessoais se as reparações ou a manutenção dos produtos forem efetuadas por pessoas não certificadas.

As especificações e as peças estão sujeitas a alterações sem aviso prévio.

ESCLUSIONE DI RESPONSABILITÀ:**IT**

Questi disegni sono forniti solo come riferimento per l'ordine dei componenti e sono destinati all'uso da parte dei tecnici dell'assistenza.

L'installazione di ricambi originali Numatic deve essere eseguita esclusivamente da tecnici dell'assistenza certificati Numatic specializzati e a conoscenza di tutte le norme di sicurezza pertinenti.

Numatic International Ltd non si assume alcuna responsabilità per eventuali perdite o danni alla proprietà o alle persone se le riparazioni o la manutenzione dei prodotti vengono eseguite da persone non certificate.

Le specifiche e le parti sono soggette a modifiche senza preavviso.

EXENCIÓN DE RESPONSABILIDAD:**ES**

Estos esquemas solo se muestran como referencia para pedir piezas y para su uso por parte de ingenieros de mantenimiento.

La instalación de recambios originales de Numatic solo deben realizarla los ingenieros de mantenimiento homologados de Numatic que estén especializados y familiarizados con las normativas de seguridad pertinentes.

Numatic International Ltd no acepta la responsabilidad de cualquier pérdida o daño a la propiedad o a las personas si las reparaciones o el mantenimiento de los productos se llevan a cabo por personas sin certificación.

Las especificaciones y piezas están sujetas a cambios sin previo aviso.

ZASTRZEŻENIE:**PL**

Rysunki te służą wyłącznie do celów referencyjnych podczas zamawiania części i są przeznaczone do użytku przez inżynierów serwisowych.

Montaż oryginalnych części zamiennych Numatic powinien być wykonywany wyłącznie przez certyfikowanych serwisantów firmy Numatic, którzy posiadają odpowiednie kwalifikacje i znają wszystkie odpowiednie przepisy bezpieczeństwa.

Firma Numatic International Ltd nie ponosi odpowiedzialności za jakiegokolwiek straty lub szkody majątkowe i osobiste, jeśli naprawy lub serwisowanie produktów są przeprowadzane przez osoby nieposiadające certyfikatu.

Dane techniczne i części mogą zostać zmienione bez powiadomienia.

FRISKRIVNINGSKLAUSUL:**SV**

Dessa ritningar är endast avsedda för referens vid beställning av reservdelar och är avsedda för servicetekniker.

Installation av originalreservdelar från Numatic får endast utföras av certifierade Numatic-servicetekniker som specialiserar sig på och känner till alla relevanta säkerhetsföreskrifter.

Numatic International Ltd påtar sig inget ansvar för förlust eller skada på egendom eller person om reparationer eller service av produkter utförs av icke-certifierade personer.

Specifikationerna och produktens delar kan ändras utan föregående meddelande.

VASTUUVAPAUCLAUSEKE:**FI**

Nämä piirrokset on tarkoitettu ainoastaan osien tilaamisen avuksi ja ainoastaan huoltoinsinöörien käyttöön. Aitoja Numatic-varaosia saavat asentaa vain sertifioidut Numatic-huoltoinsinöörit, jotka ovat perehtyneet kaikkiin asiaankuuluviin turvamääräyksiin.

Numatic International Ltd ei ole vastuussa mistään omaisuus- tai henkilövahingoista, jos sertifioidut henkilöt ovat korjanneet tai huoltaneet tuotteita.

Teknisiä ominaisuuksia ja osia voidaan muuttaa ilman erillistä ilmoitusta.

ANSVARFRASKRIVELSE:**DA**

Disse tegninger er kun til reference for reservedelsordrer og er beregnet til serviceteknikere.

Montering af originale Numatic-reservedele må kun udføres af certificerede Numatic-serviceteknikere, der er specialiseret i og har kendskab til alle relevante sikkerhedsbestemmelser.

Numatic International Ltd påtager sig intet ansvar for tab eller skade på ejendom eller person, hvis reparationer eller service på produkter foretages af ikke-certificerede personer.

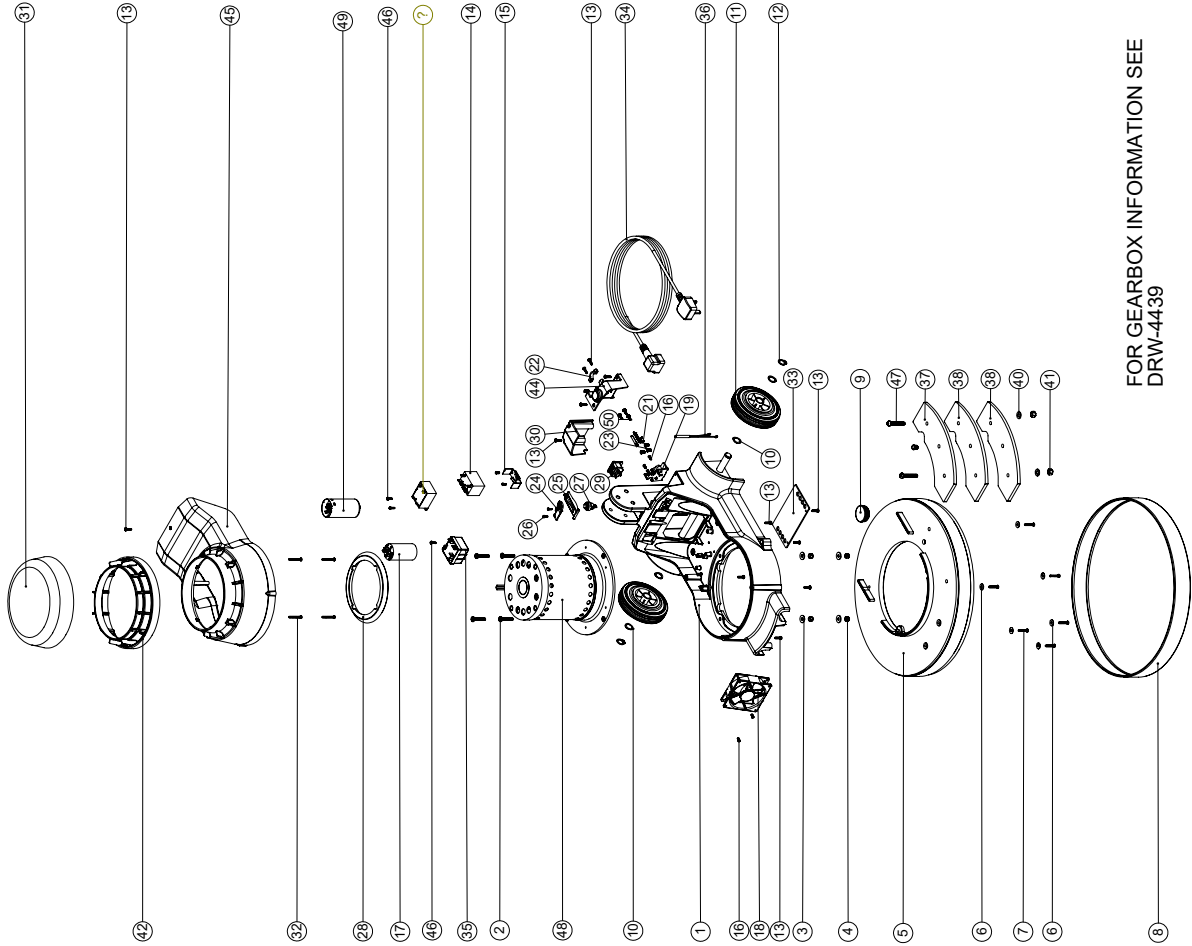
Specifikationer og dele kan ændres uden varsel.

Numatic International Spare Parts

Model No: NRS 450 BASE ASSEMBLY EXPLODED DRAWING (EXP-0920)

234489
DRAWING: EXP-0920 ISS:A17
13/05/2010

NB: FOR WIRING SEE DRAWING: WD-0345



FOR GEARBOX INFORMATION SEE
DRW-4439

Numatic International Spare Parts

Model No: NRS 450 BASE ASSEMBLY EXPLODED DRAWING (EXP-0920)

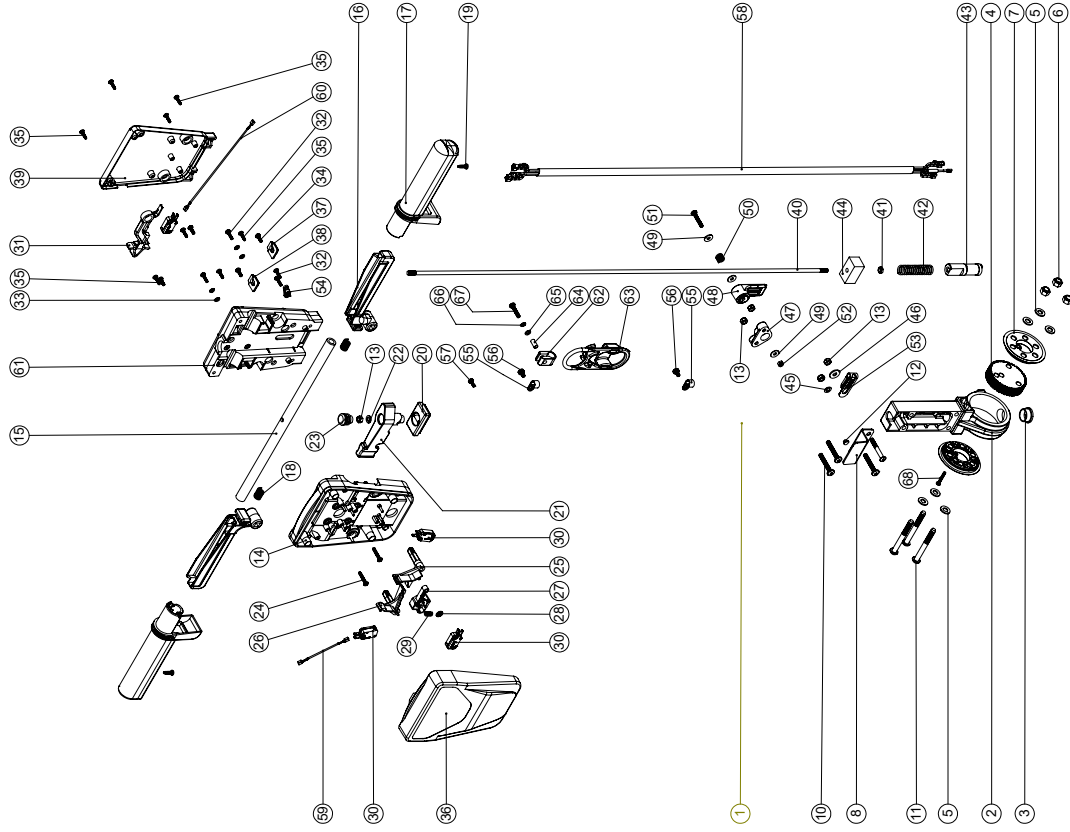
POS.	ITEM NO.	DESCRIPTION:	COMMENTS:
1	338580	PRINTED GRAPHITE BASE Moulding SUB ASSEMBLY C/W M8 MULTIBERT	
2	219268	M6 X 35MM LONG POZI PAN SCREW	
3	219008	M6 FORM G WASHER	
4	219088	M6 NYLON INSERT NUT	
5	329456	MODIFIED MEDIUM GREY RING Moulding	
6	219644	M5 FORM G STAINLESS STEEL WASHER	
7	219369	M6 X 1 INCH LONG POZI PAN STAINLESS STEEL PLASTITE SCREW	
8	206478	MEDIUM GREY (RAL7011) BUFFER RING	
9	229400	BLACK END STOP	
10	219219	21.5MM X 16.3MM WAVE WASHER	
11	220660	WHEEL GREY BLACK HUB	
12	228051	EXTERNAL CIRCLIP	
13	219914	M6 X 3/8 INCH LONG POZI PAN PLASTITE STAINLESS STEEL SCREW	
14	206575	240V / 25A RELAY	
15	206500	RELAY BRACKET	
16	219651	M4 X 10MM LONG POZI PAN THREAD CUTTING SCREW	
17	220876	20 MFD MOTOR RUN CAPACITOR (450V)	
18	205072	PROCESSED 12V DC BRUSHLESS FAN	
19	216288	TERMINAL BLOCK	
20	206562	CONTACT PIN	
21	206563	EARTH CONTACT PIN	
22	216280	CABLE CLAMP 16A PLUGGED	
23	219009	M4 BRASS TAPPEX INSERT	
24	216293	LEVER PLATE	
25	216292	CUT OUT LEVER	
26	219677	M6 X 10MM LONG POZI PAN PLASTITE SCREW	
27	229454	HANDLE SWITCH	
28	227556	TOP MOTOR GASKET	
29	220964	APPLIANCE OUTPUT SOCKET	
30	216291	OUTPUT COVER	
31	328112	N11 SPEED TOP SECTION Moulding PRINTED	
32	219846	N06 X 1.3/8 INCH LONG POZI PAN SCREW	
33	329228	GAUDD PLATE	
34	236072	MAINS CABLE (15.0 METERS / 15MM / 3 CORE CABLE / SOCKET + UK PLUG)	
35	206822	110/120V VOLTAGE RELAY	
36	321193	AC LED WITH TERMINALS	
37	429053	WEIGHTED DECK SIDE PLATE PAINTED SILVER GREY	
38	329235	WEIGHTED DECK SIDE PLATE	
39	206678	12MM END STOP	
40	219010	M8 FORM A WASHER	
41	219078	NUT M8 NYLON INSERT Z/PL	
42	229486	TALL MOTOR INSERT Moulding	
43	206753	UNIVERSAL POWER SUPPLY	
44	206665	16A INPUT COVER C/W WINDOW PLUG	
45	229441	FLOOR MACHINE MIDDLE SECTION Moulding	
46	219318	M6 X 1 1/2 INCH LONG POZI PAN PLASTITE SCREW (Z/PL)	
47	219822	M6 X 4.5MM LONG SOCKET BUTTON STAINLESS STEEL HEAD BOLT	
48	205222	COMBINED INDUCTION MOTOR 2POLE 220-240V 50HZ	
49	208265	MOTOR START CAPACITOR 98 MFD	
50	219471	M4 X 12MM LONG POZI PAN SEMS SCREW	

Numatic International Spare Parts

Model No: NR HANDLE ASSEMBLY EXPLODED DRAWING (EXP-0943)

NB: FOR WIRING SEE DRAWING: WD-0345

234514
DRAWING: EXP-0943 ISS:A18
01/03/2022



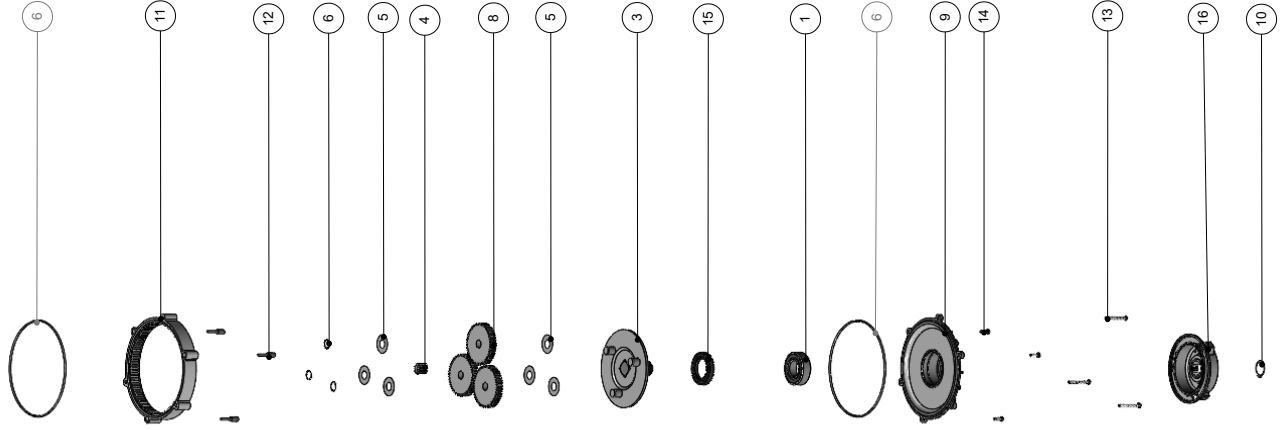
Numatic International Spare Parts

Model No: NR HANDLE ASSEMBLY EXPLODED DRAWING (EXP-0943)

ITEM:	PART No:	DESCRIPTION	COMMENTS	QTY.
1	429096	LOLINE HANDLE TUBE PAINTED (830)		1
2	900398	HANDLE CASTING MACHINED (HNS VERSION)		1
3	229099	25MM DIA HOLE PLUG		1
4	900397	MINI ADJUSTMENT GEAR		1
5	219010	M8 FORM A WASHER		6
6	219078	NUT M8 NYLON INSERT Z/PL		3
7	900396	ADJUSTMENT GEAR SPACER		2
8	329000	HANDLE BRACKET		1
9	219881	M6 X 45MM SOCKET BUTTON HEAD SCREW		1
10	902522	M6 X 40MM LONG SOCKET BUTTON HEAD STAINLESS STEEL BOLT		3
11	219806	M8 X 70MM LONG SOCKET BUTTON HEAD BOLT		3
12	229009	BLANKING PLUG		1
13	219642	M6 STAINLESS STEEL NYLON INSERT HALF NUT		5
14	227576	TALC FILLED FRONT INNER HALF MOULDING		1
15	368269	CROSS TUBE		1
16	227581	TRIGGER MOULDING (GREY)	RED VERSION 903547	2
17	227580	HAND GRIP MOULDING		2
18	219803	TRIGGER COMPRESSION SPRING		2
19	219036	N68 X 5/8 INCH LONG POZI PAN SELF TAPPING SCREW		2
20	227582	HANDLE PLUG MOULDING		1
21	227583	ADJUSTMENT LEVER MOULDING	RED VERSION 903546	1
22	219493	M6 NYLON WASHER	RED VERSION 903545	1
23	20638V	19MM BLACK TUBE END STOP		1
24	219369	N68 X 1 INCH LONG POZI PAN STAINLESS STEEL PLASTITITE SCREW		2
25	227585	LEFT HAND SWITCH OPERATING LEVER MOULDING		1
26	227586	RIGHT HAND SWITCH OPERATING LEVER MOULDING		1
27	227587	CENTRE SWITCH OPERATING LEVER MOULDING		1
28	219805	4MM SPIREX		1
29	219804	SWITCH COMPRESSION SPRING		1
30	229483	SNAP ACTION SWITCH		4
31	227584	INTERLOCK LEVER MOULDING		1
32	219914	N68 X 5/8 INCH LONG POZI-PAN PLASTITITE STAINLESS STEEL SCREW		4
33	219206	M4 FORM A WASHER		4
34	219569	N68 X 1/2 INCH LONG POZI PAN STAINLESS STEEL PLASTITITE SCREW		4
35	219370	N68 X 5/8 INCH LONG PLASTITITE STAINLESS STEEL SCREW		8
36	318959	PRINTED FRONT COVER MOULDING		1
37	329539	MODIFIED BLANKING PLATE		1
38	227666	BLANKING PLUG		1
39	318968	PRINTED REAR COVER MOULDING		1
40	229484	840MM HANDLE LOCKING ROD		1
41	219099	M6 HALF NUT		1
42	229138	SPRING 15.65MM OD 76.5MM FREE LENGTH		1
43	229073	GEAR LOCKING PIN		1
44	229030	ANTI VIBRATION PAD		1
45	219560	M6 FORM B STAINLESS STEEL WASHER		1
46	219008	M6 FORM G WASHER		1
47	227806	CABLE RELEASE BASE MOULDING	RED VERSION 903882	1
48	227807	CABLE RELEASE TOP MOULDING	RED VERSION 903883	1
49	219644	M5 FORM G STAINLESS STEEL WASHER		3
50	206599	SPRING 10.65MM OD 16.5MM FREE LENGTH		1
51	219720	M5 X 30MM LONG STAINLESS STEEL POZI PAN SCREW		1
52	219633	M5 STAINLESS STEEL NYLON INSERT NUT		1
53	229139	P-CLIP		1
54	229669	LOLINE HANDLE CABLE CLAMP		1
55	219393	P-CLIP		2
56	291135	M5 X 10MM LONG STAINLESS STEEL POZI PAN SEMS SCREW		2
57	219471	M4 X 12MM LONG POZI PAN SEMS SCREW		1
58	230134	NR 5 CORE LOOM ASSEMBLY (UK/EURO)		1
59	321247	60MM LONG BLUE LINK WIRE		1
60	321248	180MM LONG BLUE LINK WIRE		1
61	229509	REAR INNER HALF MOULDING (FR)		1
62	219743	CABLE CLEAT		1
63	902312	CABLE STRESS RELIEF		1
64	903192	SPIROL SPACER SP100 5MM NOM ID x 14MM		1
65	219355	M5 FORM A STAINLESS STEEL WASHER		1
66	291084	M5 SHAKEPROOF WASHER STAINLESS STEEL		1
67	219575	M5 X 25MM LONG POZI PAN STAINLESS STEEL SCREW		1
68	291150	N68 X 1 INCH LONG POZI PAN SCREW S/S		1

Numatic International Spare Parts

Model No: HFM, NPR & NR RANGE GEARBOX EXPLODED DRAWING (ALL SPEEDS) ISS:A04
 233756
 DRAWING: DRW-4439
 2/10/13



Numatic International Spare Parts

Model No: HFM, NPR & NR RANGE GEARBOX EXPLODED DRAWING (ALL SPEEDS)

POS	ITEM NO	DESCRIPTION	COMMENTS
1	230094	62MM O.D X .30MM I.D X 20MM BEARING (WITH SEALS)	HFM/NPR 1515/S & NR 1500S
2	230291	PLANET CARRIER & PIN ASSEMBLY (50HZ STANDARD SPEED)	HFM/NPR 1523/M, NPR1545/X, NR 1500M & NRS450
	230292	PLANET CARRIER & PIN ASSEMBLY (60HZ HIGH SPEED)	HFM/NPR 1530/H & NR1500H
	230294	PLANET CARRIER & PIN ASSEMBLY (HIGH SPEED)	HFM/NPR 1515/S & NR 1500S
3	230027	12 TOOTH PINION GEAR (STANDARD SPEED)	HFM/NPR 1523/M, HFM/NPR 1545/X, NR 1500M & NRS450
	230025	20 TOOTH PINION GEAR (50HZ MEDIUM/60HZ HIGH SPEED)	HFM/NPR 1530/H & NR1500H
	230028	24 TOOTH PINION GEAR (HIGH SPEED)	HFM/NPR 1515/S & NR 1500S
4	230215	35MM X 15 I.D ALUMINIUM WASHER	HFM/NPR 1530/H & NR1500H
5	230015	15MM EXTERNAL CIRCLIP	HFM/NPR 1515/S & NR 1500S
6	230001	60 Degree Oil V Seal	HFM/NPR 1523/M, HFM/NPR1545/X, NR 1500M & NRS450
7	230013	48 TOOTH SPUR GEAR (STANDARD SPEED 50/60HZ)	HFM/NPR 1530/H & NR1500H
	230026	44 TOOTH SPUR GEAR (60HZ MEDIUM/60HZ HIGH SPEED)	HFM/NPR 1515/S & NR 1500S
	230014	42 TOOTH SPUR GEAR (HIGH SPEED 50HZ)	HFM/NPR 1530/H & NR1500H
8	230226	DIE CAST BOTTOM PLATE	
9	230048	26MM EXTERNAL CIRCLIP	
10	214115	GEAR BOX MID SECTION	
11	208207	GEARBOX FASTENER WITH SLOT	
12	219706	M5 X 45MM LONG STAINLESS STEEL HEXAGONAL BOLT	
13	219904	M5 X 16MM LONG HEXAGONAL STAINLESS STEEL BOLT	
14	230158	VITON OIL SEAL (BROWN)	
15	330024	DIE CAST CHUCK MACHINED & PROCESSED	

Numatic International Limited (Head Office)

Chard, Somerset TA20 2GB, UNITED KINGDOM

Tel: 01460 68600 numatic.com

Numatic International GmbH

Fränkische Straße 15-19, 30455 Hannover, DEUTSCHLAND

Tel: +49 (0) 511 984 2160 numatic.de

Numatic International Denmark

Fränkische Straße 15-19, 30455 Hannover, DEUTSCHLAND

Tel: +45 (0) 316 40808 numatic-online.dk

Numatic International S.A.S

13/17 rue du Valengelier, EAE la Tuilerie, 77500 Chelles, FRANCE

Tel: +33 (0) 164 726 161 numatic.fr

Numatic International BV

Vennootsweg 15, 2404 CG, Alphen aan den Rijn, NEDERLAND

Tel: +31 (0) 172 467 999 numatic.nl

Numatic International Schweiz AG.

Sihlbruggstrasse 3A, 6340 Baar, SCHWEIZ

Tel: +41 (0) 41 768 0760 numatic.ch

Numatic International (PTY) Ltd.

Cnr. 16th & Pharmaceutical Road, Randjes Park, Midrand 1685, SOUTH AFRICA

Tel: +27 (0) 861 686 284 numatic.co.za

Numatic International ULDA

Rua Francisco da Silva Duarte, nº79,

4475-269 Santa Maria de Avioso, Castelo da Maia, PORTUGAL

Tel: +351 220 047 700 numatic.pt

Numatic International Spain, S.L.U.

Av. Baix Llobregat, 5-7, Oficina bajos 1 (Parc Negocis Mas Blau II)

08820 El Prat de Llobregat (Barcelona), SPAIN

Tel: +34 93 647 22 22 numatic.es

Numatic International Italy S.R.L

Via Luigi Galvani, 2, Z.I. Talponedo, 33080 Porcia (PN), ITALY

Tel: +39 (0) 434 046 211 numatic.it