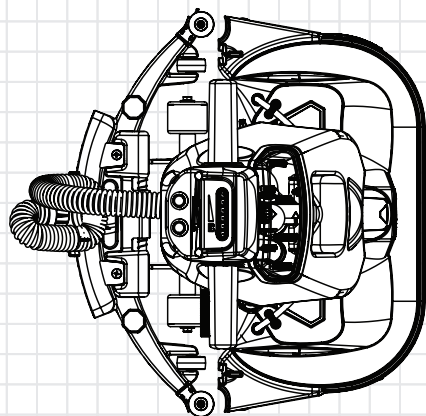
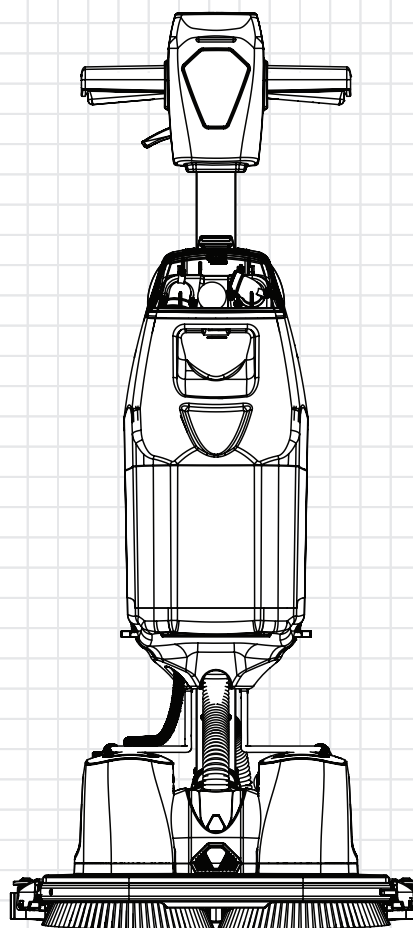
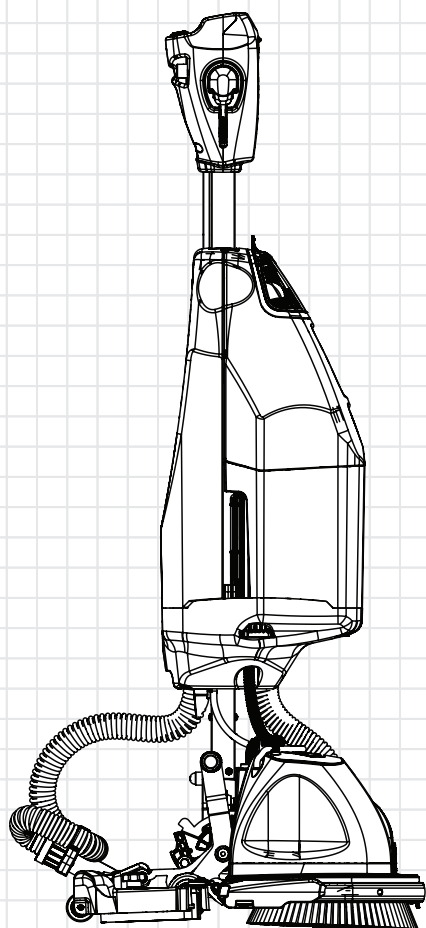


NUC244NX-R



Service Engineer Exploded Drawings



DISCLAIMER:

These drawings are for part order reference only and intended for service engineers use.

The installation of Genuine Numatic spare parts should only be executed by Certified Numatic service engineers who specialised and familiar with all relevant safety regulations.

Numatic International Ltd do not accept responsibility or liability for any loss or damage to property or person if repairs or servicing of products are carried out by non-certified persons.

Specifications and parts are subject to change without notice.

Numatic International Spare Parts

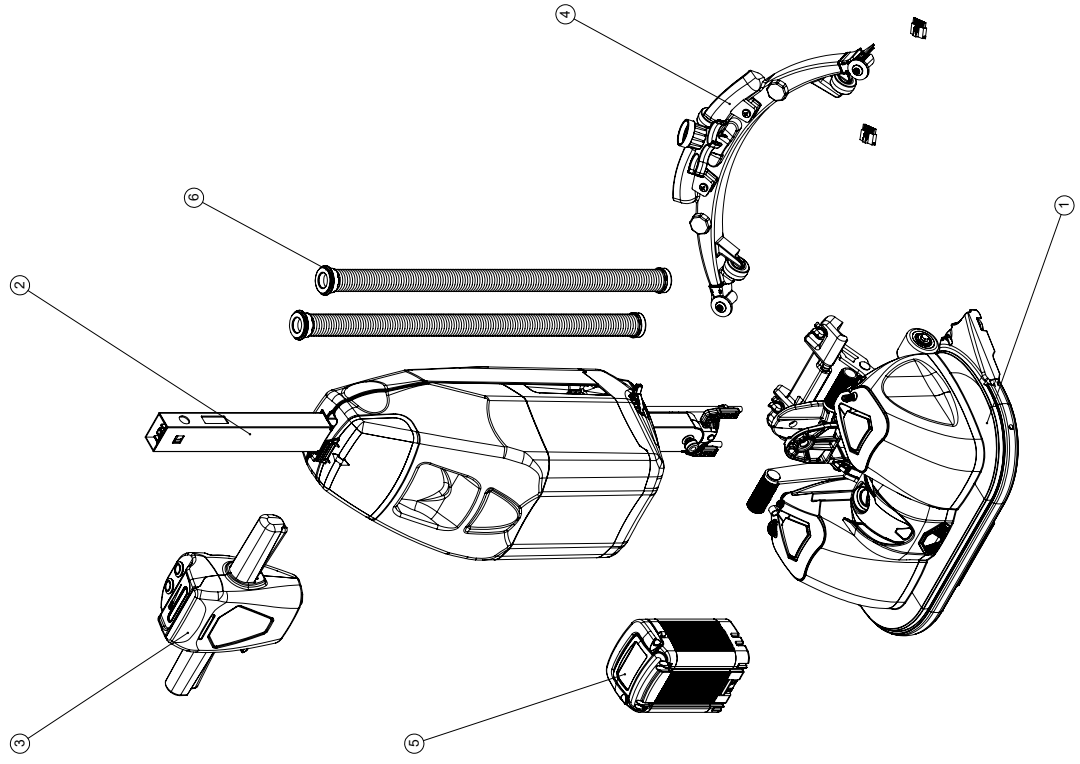
Model No: NUC 244 NX 170MM YOKE GENERAL EXPLODED DRAWING

NB: FOR WIRING SEE DRAWING: DRW-34941

917301, 917302

DRAWING: DRW-41769 ISS:A01

EXPLODED DRAWING



Numatic International Spare Parts

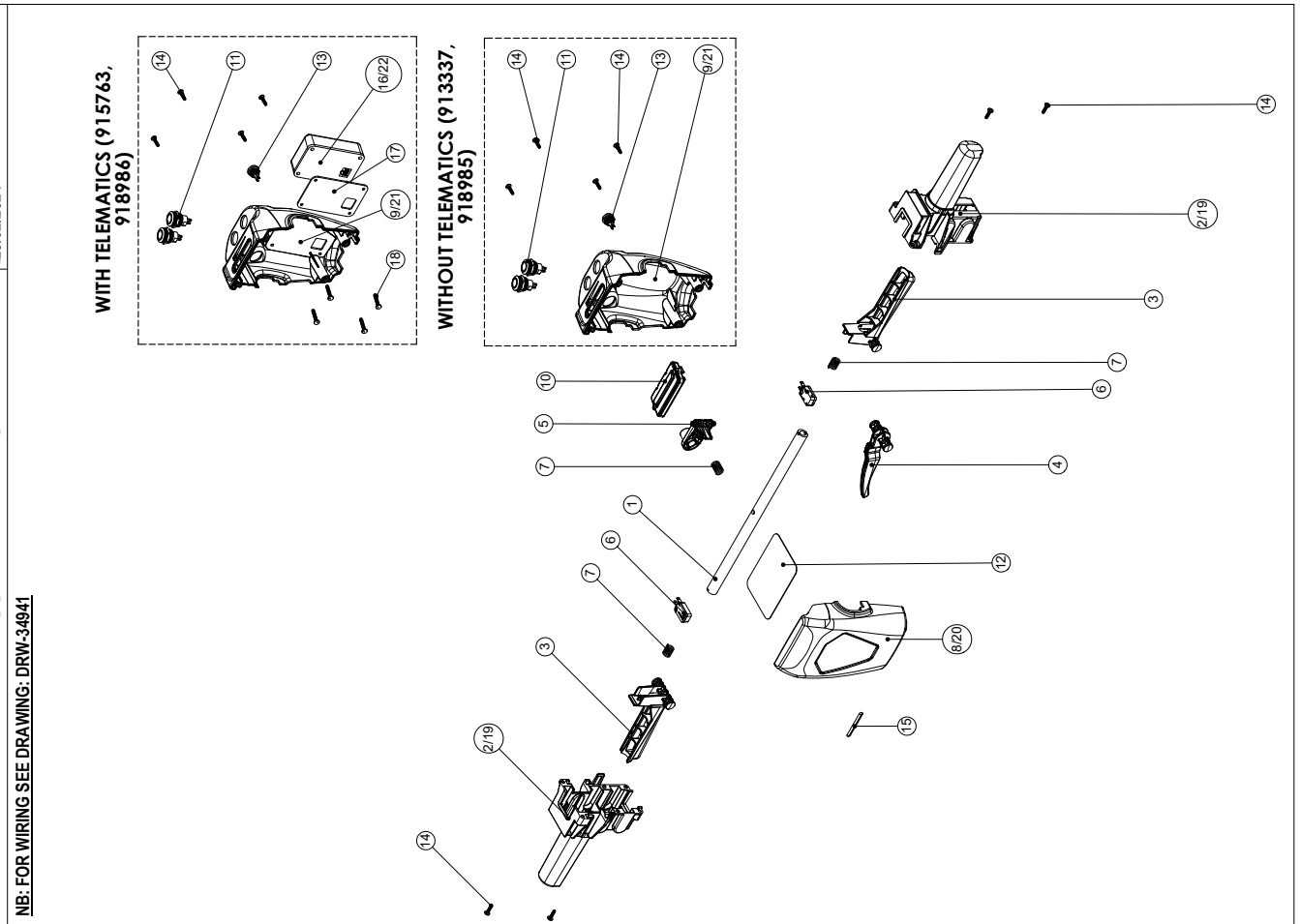
Model No: NUC 244 NX 170MM YOKE GENERAL EXPLODED DRAWING

ITEM NO. PART NO.	DESCRIPTION	DRAWING NO.	COMMENTS	QTY.
1 917288	BASE ASSEMBLY 170MM YOKE	DRW-41767		1
2 917293	MID SECTION ASSEMBLY 170MM YOKE	DRW-41765		1
3 913337	244 HANDLE ASSEMBLY	DRW-35076	917301 ONLY	1
915763	244 HANDLE ASSEMBLY - TELEMATICS	DRW-31385	917302 ONLY	1
4 911916	SQUEEGEE ASSEMBLY - SILVER	DRW-31959		1
5 909996	BATTERY .37 8100	N/A		1
6 910931	HOSE 600MM LONG 32.8MM OD 24MM ID COMPLETE WITH END FITTINGS	N/A		2

Numatic International Spare Parts
Model No: 244 HANDLE ASSEMBLY EXPLODED DRAWING

ITEM NO:	PART NO:	DESCRIPTION:	COMMENTS	Default/Qty.	BLACK/Qty.
1	910887	HANDLE CROSS TUBE		1	1
2	910726	HANDLE GRIP		2	-
3	910727	HANDLE TRIGGER		2	2
4	910733	HANDLE RELEASE LEVER		1	1
5	910734	HANDLE LOCK BUTTON		1	1
6	229483	SNAP ACTION SWITCH		2	2
7	219803	TRIGGER COMPRESSION SPRING		3	3
8	910850	FRONT HANDLE COVER GRAPHITE Moulding		1	-
9	910851	REAR HANDLE COVER Moulding	913337 ONLY	1	-
10	912068	TELEMATICS TT244 HANDLE REAR COVER Moulding	915763 ONLY	1	-
11	910841	CSD HANDLE PCB ENCLOSURE ASSEMBLY		1	1
12	912145	ILLUMINATED TOGGLE SWITCH 22MM DIA		2	2
13	912145	HANDLE WIRING PROTECTOR		1	1
14	913246	ISR3Z1AD500 - YELLOW 12MM SEALED PUSH BUTTON SWITCH		1	1
15	219370	№8 X 5/8 INCH LONG PLASTITE STAINLESS STEEL SCREW	TORQUE TO 2.6Nm	8	8
16	913456	SELF ADHESIVE DOMED PROTECTIVE STRIP		1	1
17	912615	TELEMATICS MODULE ASSEMBLY - GRAPHITE GREY	913337 ONLY	1	-
18	912151	ADHESIVE PAD - TELEMATICS	915763/918986 ONLY	1	-
19	219369	№8 X 1 INCH LONG POZI PAN STAINLESS STEEL PLASTITE SCREW	915763/918986 ONLY	4	-
20	917496	HANDLE GRIP (BLACK)		-	2
21	917724	FRONT HANDLE COVER BLACK Moulding		-	1
22	917723	REAR HANDLE COVER Moulding	918985 ONLY	-	1
	917436	TELEMATICS TT244 HANDLE REAR COVER Moulding - BLACK	918986 ONLY	-	1
	912542	TELEMATICS MODULE ASSEMBLY - BLACK	918986 ONLY	-	1

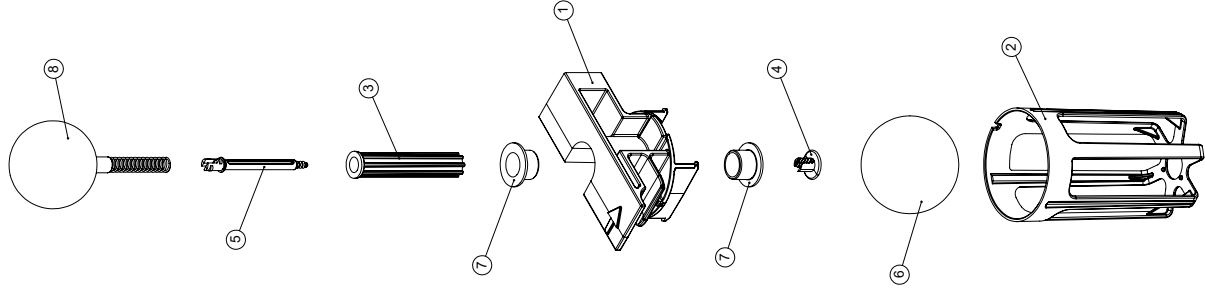
Numatic International Spare Parts
Model No: 244 HANDLE ASSEMBLY EXPLODED DRAWING



Numatic International Spare Parts

Model No: BALL SHUT OFF ASSEMBLY EXPLODED DRAWING

911798
DRAWING: DRW-31389 ISS:A02
15/07/2020



Numatic International Spare Parts

Model No: BALL SHUT OFF ASSEMBLY EXPLODED DRAWING

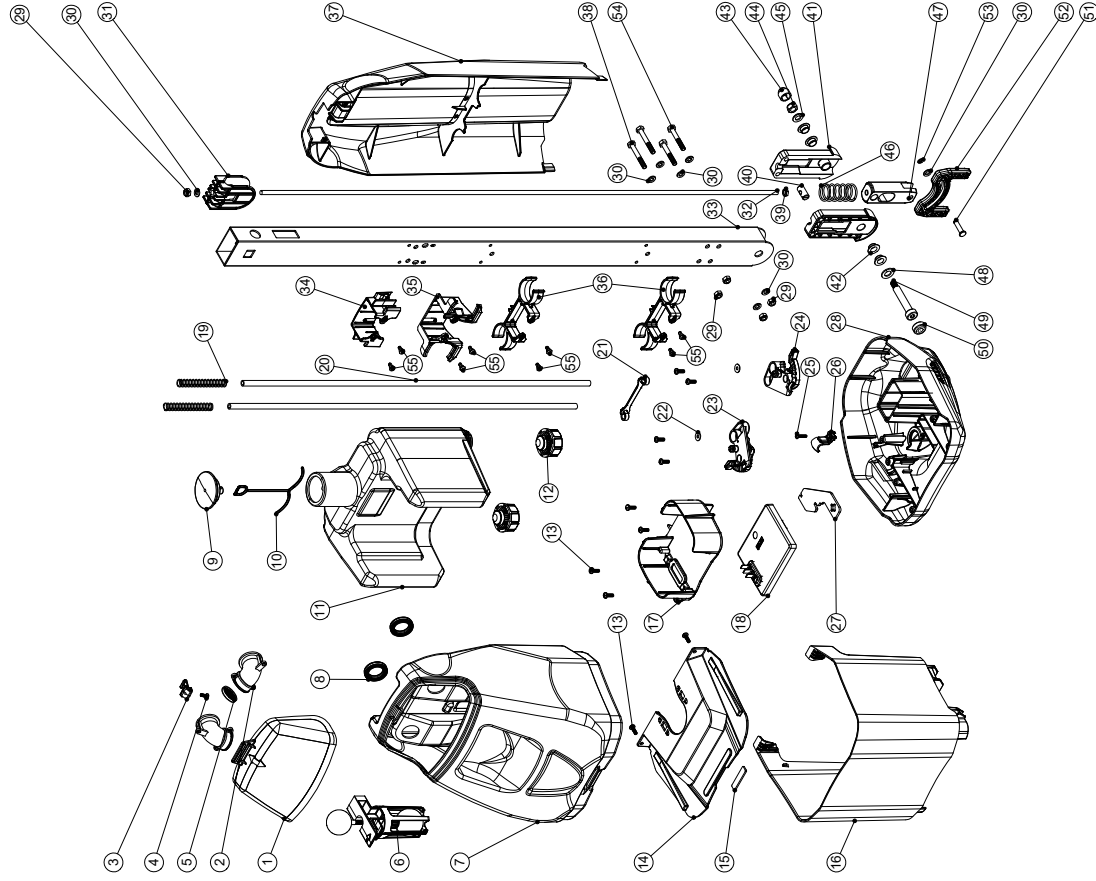
ITEM:	PART No:	Description	QTY.
1	911792	BALL SYSTEM MOUNT MOULDING	1
2	911796	BALL CAGE	1
3	911793	BALL SUPPORT PILLAR	1
4	911795	PILLAR END CAP	1
5	911794	PILLAR SPRING LOCK PIN	1
6	911797	PING PONG BALL	1
7	208331	IGUS BEARING (GFM 101209)	2
8	911799	HOLLOW BALL AND SPRING COMBINED	1

Numatic International Spare Parts

Model No: MID SECTION 170MM YOKE ASSEMBLY EXPLODED DRAWING

NB: FOR WIRING SEE DRAWING: DRW-32894

917293
DRAWING: DRW-41765 ISS:A02
24/07/2023

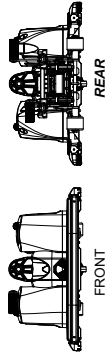


Numatic International Spare Parts

Model No: MID SECTION 170MM YOKE ASSEMBLY EXPLODED DRAWING

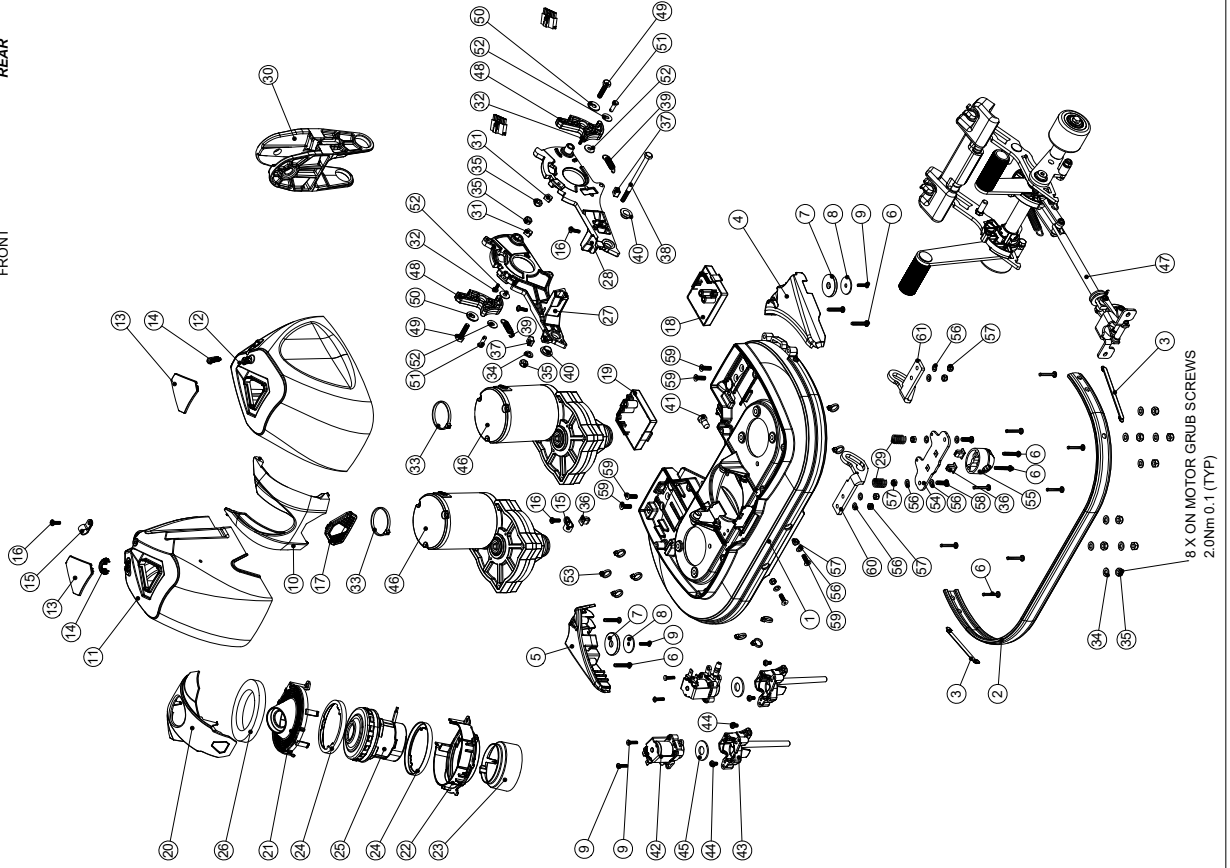
ITEM:	PART No:	Description	Comments	QTY.
1		CSD P5 SEPARATOR MOULDING AND SEAL OVERMOULD		1
2		SEPARATOR PORT MOULDING		2
3	911502	SPRING LATCH MOULDING		1
4		No.6 X 3/8 A2 S/ST PZ PAN HD STAPPER SCREW (TYPE B FLAT END) DIN7981-F		1
5	911286	PORT FILTER DISC		1
6	911798	BALL SHUT-OFF ASSEMBLY		1
7	911499	WASTE TANK P5 SHELLLED WITH LUGS BLOW MOULDING		1
8	911282	GASKET SEAL RING MOULDING		2
9	911280	CAP BUNG WITH VENT HOLE MOULDING		1
10	911281	TETHER MOULDING		1
11	911500	CSD P5 CLEAN TANK BLOW MOULDING		1
12	911815	CHECK VALVE TANK COUPLING		2
13	219569	No8 X 1/2 INCH LONG POZI PAN STAINLESS STEEL PLASTITE SCREW	1.6Nm ± 0.1	10
14	911534	WT SHELF MOULDING		1
15	911786	FOAM PAD 40 X 10 X 2MM		1
16	913483	WT SUPPORT MOULDING PRINTED NUMATIC 244NX		1
17	911537	BATTERY SUPPORT MOULDING		1
18	910930	CSD CONTROL PCB ASSEMBLY		1
19	219327	80MM LONG COMPRESSION SPRING		2
20	913691	CLEAR SILICONE TUBE 5MM ID X 8MM OD X 608MM LONG		2
21	913695	HOSE RETAINER		1
22	907391	M4 A2 S/ST FLAT WASHER DIN9021 (REF: WAW5FM400X500)		2
23	912597	FC VALVE LEFT		1
24	912596	FC VALVE RIGHT		1
25	219914	NO8.5/8 INCH LG. POZI-PAN. SCREW. STAINLESS STEEL. PLASTITE	1.6Nm ± 0.1	1
26	911272	WIRE CLAMP MOULDING		1
27	913062	RETAINER PLATE		1
28	913661	NUC HANDLE BASE GRAPHITE MOULDING PRINTED WATER FLOW		1
29	219642	M6 STAINLESS STEEL NYLON INSERT HALF NUT		5
30	219870	M6 FORM A WASHER STAINLESS STEEL		8
31	910730	HANDLE RELEASE SLIDER		1
32	910882	HANDLE LOCKING ROD		1
33	916769	HANDLE TUBE - 20MM HIGHER HOLES POSITION PAINTED SILVER		1
34	915815	TANK LOCK HOUSING WRAP-AROUND MOULDING		1
35	915816	HOSE END WRAP-AROUND MOULDING		1
36	913719	DUAL HOSE CLIP WRAP AROUND MOULDING		2
37	911811	REAR COVER ASSEMBLY		1
38	219896	M6 X 45MM LONG HEXAGONAL STAINLESS STEEL BOLT		2
39	219099	M6 HALF NUT		1
40	911814	M6 X 20MM CROSS DOWEL BARREL NUT Z/PL		1
41	910715	HANDLE PIVOT MOULDING		2
42	208330	IGUS BEARING (GFM 101206)		4
43	903260	M8 BOLT AND NUT CAP		1
44	219639	M8 STAINLESS STEEL NYLON INSERT NUT		1
45	219578	M8 FORM A STAINLESS STEEL WASHER		1
46	208782	SPRING (C5517490)		1
47	910881	ROLL LATCH		1
48	219903	M10 FORM A STAINLESS STEEL WASHER		1
49	208333	M8 X 10 X 50MM LONG HEX SOCKET SHOULDER BOLT	10.0Nm ± 1.0	1
50	237632	SHOULDER BOLT COVER		1
51	912703	6MM X 22MM S/S CLEVIS PIN WITH E-CLIP GROOVE		1
52	916726	PITCH LATCH - 55MM		1
53	912704	E-CLIP RSM0040 DIN 6799		1
54	291125	M6 X 40 LONG HEX BOLT STAINLESS STEEL		2
55	913357	BLACK UL94 V-0 NYLON ROUND SNAP PUSH-IN RIVET SRV0-4000B		8

917288
DRAWING: DRW-41767 ISS:A02
19/01/2024



Numatic International Spare Parts
BASE ASSEMBLY 170MM YOKE
Model No: EXPLODED DRAWING

NB: FOR WIRING SEE DRAWING: DRW-34941

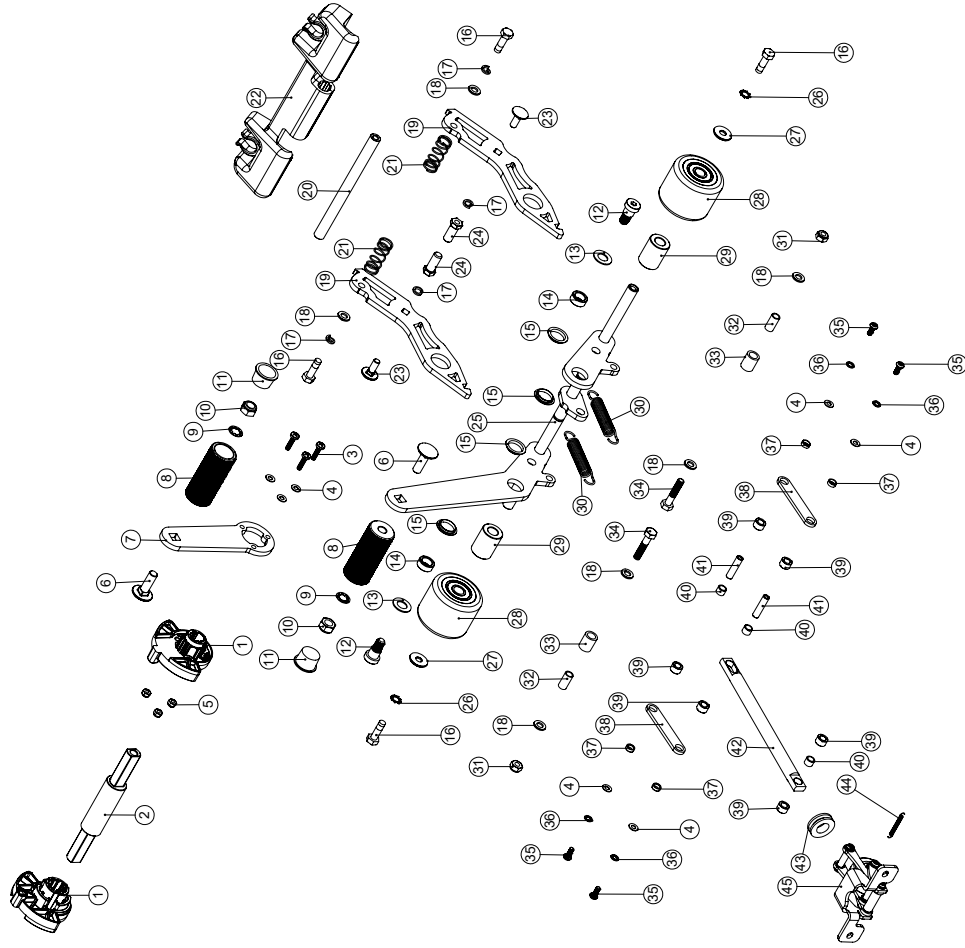


Numatic International Spare Parts
Model No: BASE ASSEMBLY 170MM YOKE EXPLODED DRAWING

ITEM NO.	PART NO.	DESCRIPTION	COMMENTS	QTY.
1	913889	NUC DECK CASTING PROCESSED PAINTED SILVER		1
2	911003	TRIM EXTRUSION (GREY)		1
3	913007	NUC TRIM GLIDE MouldING (GREY)		2
4	911262	RIGHT DECK WING MouldING (GRAPHITE)		1
5	911263	LEFT DECK WING MouldING (GRAPHITE)		1
6	219369	N68 X 1 INCH LONG POZI PAN STAINLESS STEEL PLAS TITTE SCREW	TORQUE TO 2.8Nm	14
7	237286	BUFFER WHEEL		2
8	219830	M5 X 25MM X 1.5MM THICK A4 STAINLESS STEEL PENNY WASHER	TORQUE TO 8.5Nm	2
9	219914	N06.5/8 INCH LG POZI-PAN SCREW STAINLESS STEEL PLASTITE	TORQUE TO 4.8Nm *2.8Nm on Solaris	6
10	911777	CENTRE COVER MouldING		1
11	N/A	LEFT MOTOR COVER MouldING		1
12	N/A	RIGHT MOTOR COVER MouldING		1
13	911370	VENT CAP MouldING		2
14	911800	TUBE CLIP MouldING		2
15	219393	P CLIP		2
16	219569	N68 X 1/2 INCH LONG POZI PAN STAINLESS STEEL PLASTITE SCREW	TORQUE TO 2.8Nm	4
17	911369	GRILL MouldING		1
18	910280	36V BLDC MOTOR CONTROLLER (CLOCKWISE) (LEFT)	(LEFT FROM REAR OF MACHINE)	1
19	910361	36V BLDC MOTOR CONTROLLER (COUNTER CLOCKWISE) (RIGHT)	(RIGHT FROM REAR OF MACHINE)	1
20	911101	VAC OUTER MouldING		1
21	911328	VAC TOP SECTION MouldING		1
22	911330	VAC MIDDLE SECTION MouldING		1
23	911329	VAC BOTTOM SECTION MouldING		1
24	911339	VAC GASKET		2
25	910622	CINDERSON B74-LS4015010K-021 100W VAC MOTOR		1
26	911687	FOAM PAD DISC		1
27	913289	NUC LEFT DECK LINK ARM CASTING MACHINED HOLE		1
28	913290	NUC RIGHT DECK LINK ARM CASTING MACHINED HOLE		1
29	219803	TRIGGER COMPRESSION SPRING		2
30	916678	YOKE - 170MM		1
31	913286	HANDLE POSITION STOP BLOCK		2
32	291041	N0.6 3/8 INCH LG POZI-PAN SCREW Z/P/ PLASTITE BLACKODISED	TORQUE TO 1.8Nm	2
33	220138	BLACK CABLE TIE		2
34	219870	M6 FORM A WASHER STAINLESS STEEL		9
35	219642	M6 STAINLESS STEEL NYLON INSERT HALF NUT		11
36	900986	NYLON GROMMET NUT (PLASTIC INSERT TO SUIT No 8 PLASTITE SCREW)		3
37	911260	SCREW BLOCK		2
38	291021	M6 X 90MM LONG STAINLESS STEEL HEXAGONAL HEAD BOLT	TORQUE TO 8.5Nm	1
39	914094	EXTENSION SPRING (32MM)		2
40	208330	IGUS BEARING (GFM 101206)		2
41	913206	BLIND GROMMET (G10-RB62-50-005)		1
42	911208	FCD360B-DC24V MEISHUO SOLENOID VALVE		2
43	911523	SOLENOID CONNECTOR DOWNPIPE MouldING		2
44	219687	M4 X 8MM LONG POZI PAN STAINLESS STEEL SCREW		4
45	913408	2MM NEOPRENE CLOSED CELL DISC		2
46	911807	BRUSH MOTOR SUB ASSEMBLY		2
47	913365	SQUEEGEE AND LIFTING MECHANISM ASSEMBLY		1
48	910717	NUC FLOOR TOOL LATCH (BLACK)		2
49	219825	M6 X 25MM LONG STAINLESS STEEL HEX SCREW		2
50	219647	M6 FORM G STAINLESS STEEL WASHER		2
51	904922	CLEVIS PIN 3/16 x 5/8 STAINLESS STEEL		2
52	219644	M5 FORM G STAINLESS STEEL WASHER		4
53	220844	WHITE CABLE TIE		9
54	913248	BEARING MOUNTING PLATE		1
55	913213	RJUMP-05-12 - IGUS - DRYLIN® R/JUMP SPLIT HOUSING		1
56	219355	M5 FORM A STAINLESS STEEL WASHER		10
57	219633	M5 STAINLESS STEEL NYLON INSERT NUT		8
58	219785	M5 X 16MM LONG BUTTON HEAD STAINLESS STEEL SCREW	TORQUE TO 3.5Nm	2
59	913215	M5 X 16MM SOCKET COUNTERSUNK SCREW STAINLESS STEEL	TORQUE TO 3.5Nm	6
60	913347	LATCH PLATE R/H		1
61	913348	LATCH PLATE L/H		1

Numatic International Spare Parts
Model No. : SQUEEGEE AND LIFTING MECHANISM ASSEMBLY
Model No. : EXPLODED DRAWING

913365
 DRAWING: DRW-35122 ISS:A08
 20/04/2022

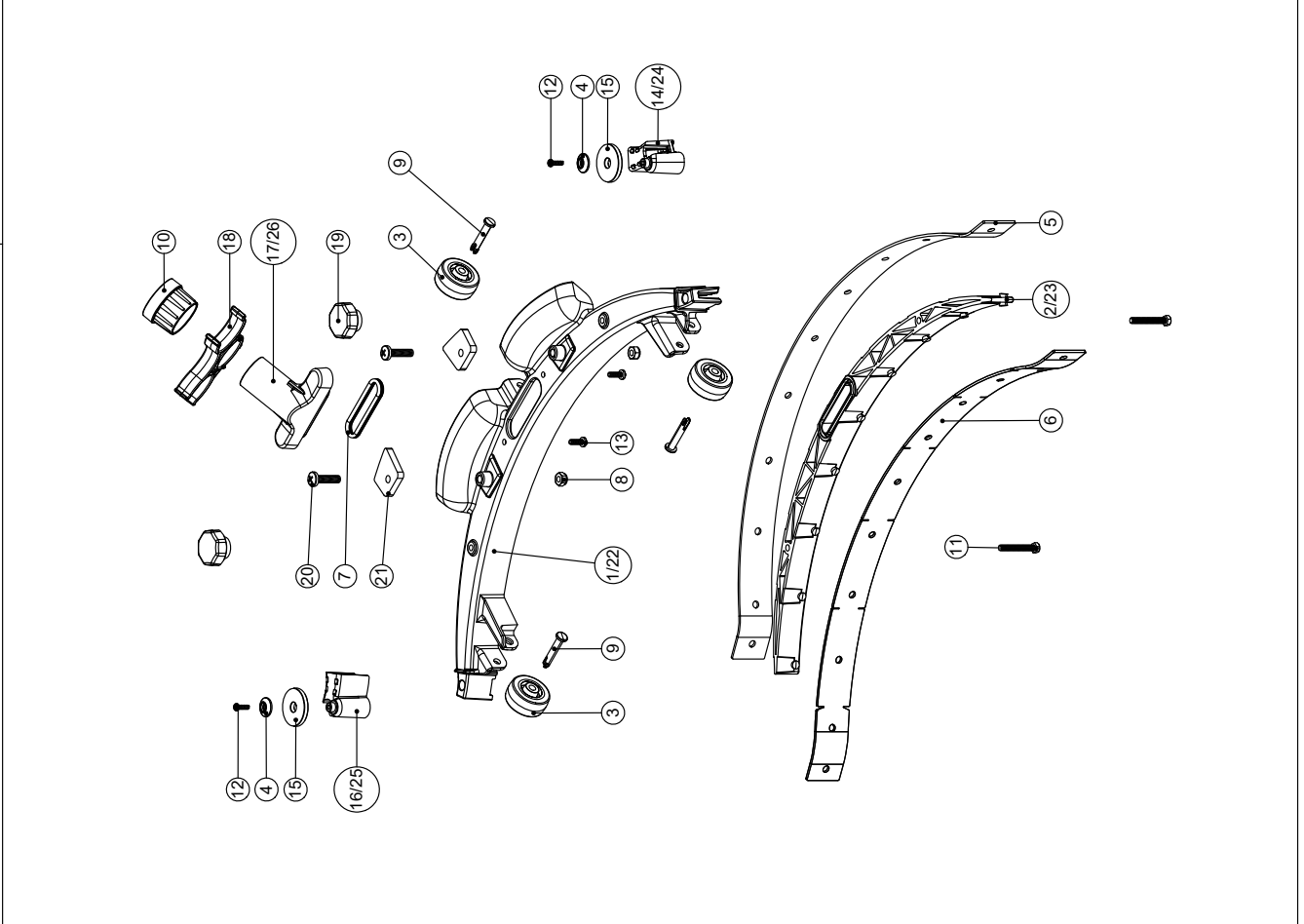


Numatic International Spare Parts
Model No. : SQUEEGEE AND LIFTING MECHANISM ASSEMBLY
Model No. : EXPLODED DRAWING

ITEM NO.	PART NO.	DESCRIPTION	COMMENTS	QTY.
1	914421	HUB MOULDING		2
2	910722	AXLE		1
3	219862	M4 X 16MM LONG POZI PAN STAINLESS STEEL SCREW	TORQUE TO 2.6Nm	3
4	219688	M4 FORM A STAINLESS STEEL WASHER		7
5	219687	M4 STAINLESS STEEL NYLON INSERT NUT		3
6	902010	M6 X 25 COACH BOLT S/S	TORQUE TO 9.5Nm	2
7	914431	FLOOR TOOL PEDAL PLATE		1
8	913614	FOOT PEDAL 1" O/D		2
9	902520	M8 INTERNAL WASHER SHAKEPROOF STAINLESS STEEL		2
10	219639	M8 STAINLESS STEEL NYLON INSERT NUT		2
11	913708	RED TAPERED CAP (11088)		2
12	913378	M8 SHOULDER BOLT, 8MM STAINLESS STEEL (LOW PROFILE)	TORQUE TO 10Nm	2
13	913439	THRUST WASHER (GTM-1018-010)		2
14	913237	SPACER 10.1MM ID X 15MM OD X 6.5MM		2
15	913217	IGUS BEARING (GFM-1516-02)		4
16	291144	M6 X 20MM LG HEX HEAD SCREW STAINLESS STEEL C/W THREADLOCK	TORQUE TO 8.5Nm	4
17	219718	WASHER M6-SPRING STAINLESS STEEL		4
18	219870	M6 FORM A WASHER STAINLESS STEEL		6
19	913255	FLOOR TOOL LINK ARM		2
20	910883	SQUEEGEE PIVOT TUBE		1
21	904784	COMPRESSION SPRING CS510990		2
22	911599	CSD FLOOR TOOL PLASTIC PLATE		1
23	291103	M6 X 16 COACH BOLT S/S	TORQUE TO 8.5Nm	2
24	910990	FLOOR TOOL LIFTING PIN		2
25	913270	AXLE SUPPORT WELD ASSEMBLY		1
26	902353	M6 EXTERNAL SHAKEPROOF WASHER STAINLESS STEEL		2
27	219647	M6 FORM G STAINLESS STEEL WASHER		2
28	913272	SUPPORT WHEEL (50MM X 40MM)		2
29	913219	NYLON SPACER 10MM ID X 20MM OD X 27MM LONG		2
30	913557	EXTENSION SPRING - SS304 - 11mm x 65mm		2
31	219642	M6 STAINLESS STEEL NYLON INSERT NUT		2
32	913245	SPACER 6MM OD X 8MM ID X 16MM LONG		2
33	913216	NYLON SPACER 8.2MM ID X 12MM OD X 15MM LONG		2
34	291022	M6 X 30MM LONG STAINLESS STEEL HEXAGONAL HEAD BOLT	TORQUE TO 8.5Nm	2
35	913223	M4 X 10MM TORX BUTTON SCREW - THREAD LOCKING STAINLESS STEEL	TORQUE TO 2.6Nm	4
36	291145	M4 SHAKEPROOF WASHER STAINLESS STEEL		4
37	913207	Ø8 O/D 6MM BORE 3MM WIDTH IGUS BEARING GSM-0608-03		4
38	913264	REAR LINKAGE		2
39	913208	NYLON SPACER 6.2MM ID X 10MM OD X 6MM		6
40	913212	Ø8 O/D 6MM BORE 6MM WIDTH IGUS BEARING GSM-0608-06		3
41	913280	CONNECTING ROD LINK SHAFT		2
42	913346	CONNECTING ROD		1
43	913243	SHAFT BEARING 12.5MM ID X 24MM OD X 7.5MM LONG		1
44	913546	EXTENSION SPRING - SS304 - 3.2mm x 31mm		1
45	913364	FRONT CASTOR ASSEMBLY		1

Numatic International Spare Parts
Model No: SQUEEGEE ASSEMBLY EXPLODED DRAWING

911916.918093
 DRAWING: DRW-31959 ISS:A09
 23/02/2024



Numatic International Spare Parts
Model No: SQUEEGEE ASSEMBLY EXPLODED DRAWING

911916.918093
 DRAWING: DRW-31959 ISS:A09
 23/02/2024

POS.	ITEM No.	DESCRIPTION	COMMENTS	Default/911916 QTY.	BLACK/918093 QTY.
1	913895	SQUEEGEE OUTER DIE CASTING PAINTED - SILVER		1	-
2	911516	CSD SQUEEGEE INNER MOULDING FOR DIE CASTING		1	-
3	208454	36MM DIA GREY WHEEL		3	3
4	208603	NYLON FINISHING WASHER (BLACK)		2	2
5	911519	CSD SQUEEGEE REAR BLADE		1	1
6	911518	CSD SQUEEGEE FRONT BLADE		1	1
7	209077	SQUEEGEE SEAL EXTRUSION		1	1
8	219642	M6 STAINLESS STEEL NYLON INSERT HALF NUT		2	2
9	911517	NUC SNAP LOCK PIN (BLACK)		3	3
10	910970	32MM HOSE CUFF		1	1
11	905554	M5 X 35MM LONG HEXAGONAL HEAD SCREW ST/ST	5.0Nm ± 0.5	2	2
12	291053	3.5 X 12MM POZI PAN PLASTITE SCREW S/S	1.6Nm ± 0.1	2	2
13	219569	No8 X 1/2 INCH LONG POZI PAN STAINLESS STEEL PLASTITE SCREW	2.6Nm ± 0.1	2	2
14	911511	LEFT HAND NUC420 FLOOR TOOL CLIP		1	-
15	237266	BUFFER WHEEL		2	2
16	911512	RIGHT HAND NUC420 FLOOR TOOL CLIP		1	-
17	912051	HOSE TRAP INLET		1	-
18	912052	HOSE TRAP CLIP		1	1
19	208455	TTB 1840 SQUEEGEE KNOB		2	2
20	902232	M6 X 25MM LONG POZI PAN SCREW STAINLESS STEEL		2	2
21	914782	NUC 244 SQUEEGEE SNAP PLATE	Peel foil and clean dirty surfaces	2	2
22	918135	SQUEEGEE OUTER DIE CASTING PAINTED - BLACK		-	1
23	917504	CSD SQUEEGEE INNER MOULDING FOR DIE CASTING		-	1
24	917231	LEFT HAND NUC420 FLOOR TOOL CLIP - BLACK		-	1
25	917232	RIGHT HAND NUC420 FLOOR TOOL CLIP		-	1
26	917503	HOSE TRAP INLET		-	1


Numatic International Limited (Head Office)

Chard, Somerset TA20 2GB, UNITED KINGDOM

Tel: 01460 68600 numatic.com

Numatic International GmbH

Fränkische Straße 15-19, 30455 Hannover, DEUTSCHLAND

Tel: +49 (0) 511 984 2160 numatic.de

Numatic International Denmark

Fränkische Straße 15-19, 30455 Hannover, DEUTSCHLAND

Tel: +45 (0) 316 40808 numatic-online.dk

Numatic International S.A.S

13/17 rue du Valengelier, EAE la Tuilerie, 77500 Chelles, FRANCE

Tel: +33 (0) 164 726 161 numatic.fr

Numatic International BV

Vennootsweg 15, 2404 CG, Alphen aan den Rijn, NEDERLAND

Tel: +31 (0) 172 467 999 numatic.nl

Numatic International Schweiz AG.

Sihlbruggstrasse 3A, 6340 Baar, SCHWEIZ

Tel: +41 (0) 41 768 0760 numatic.ch

Numatic International (PTY) Ltd.

Cnr. 16th & Pharmaceutical Road, Randjes Park, Midrand 1685, SOUTH AFRICA

Tel: +27 (0) 861 686 284 numatic.co.za

Numatic International ULDA

Rua Francisco da Silva Duarte, nº79,

4475-269 Santa Maria de Avioso, Castelo da Maia, PORTUGAL

Tel: +351 220 047 700 numatic.pt

Numatic International Spain, S.L.U.

Av. Baix Llobregat, 5-7, Oficina bajos 1 (Parc Negocis Mas Blau II)

08820 El Prat de Llobregat (Barcelona), SPAIN

Tel: +34 93 647 22 22 numatic.es

Numatic International Italy S.R.L

Via Luigi Galvani, 2, Z.I. Talponedo, 33080 Porcia (PN), ITALY

Tel: +39 (0) 434 046 211 numatic.it