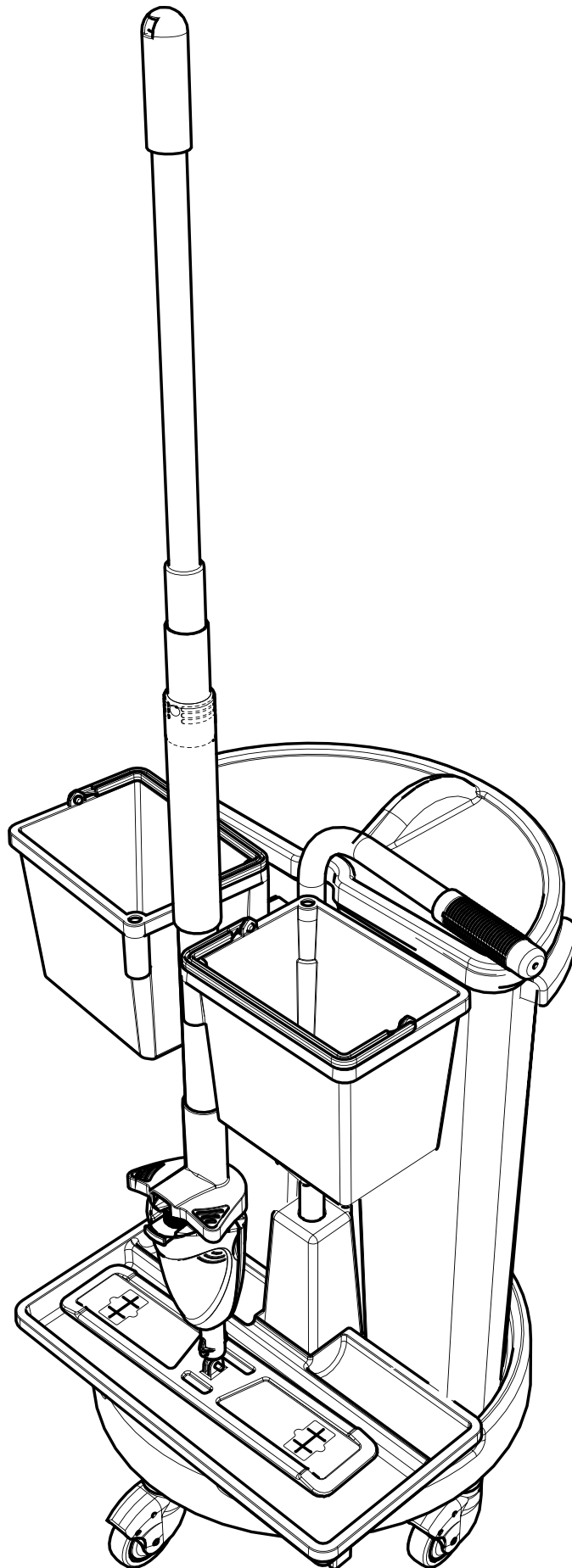
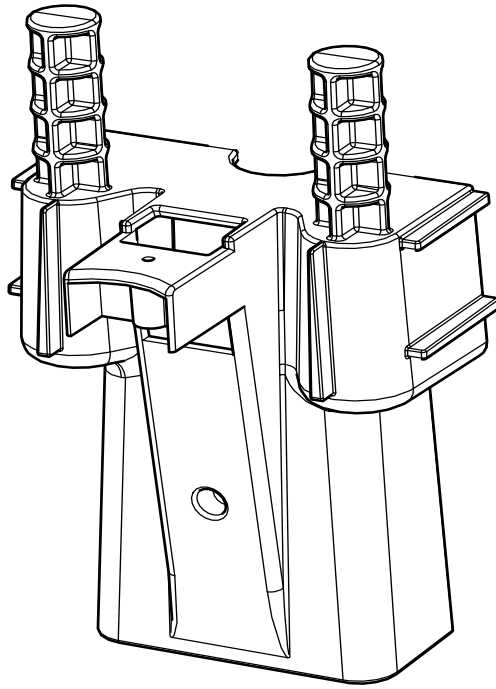


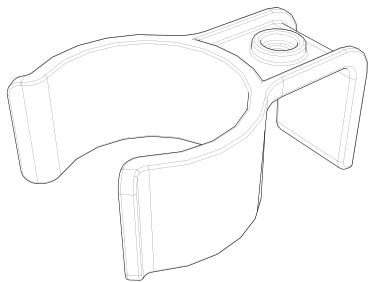
NC-0 CAROUSEL



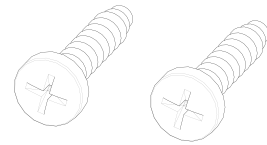
223537



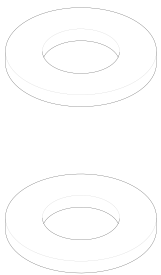
223364



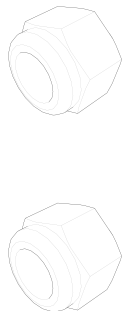
219107



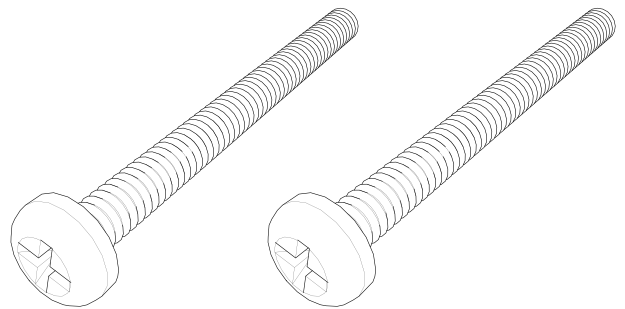
219005



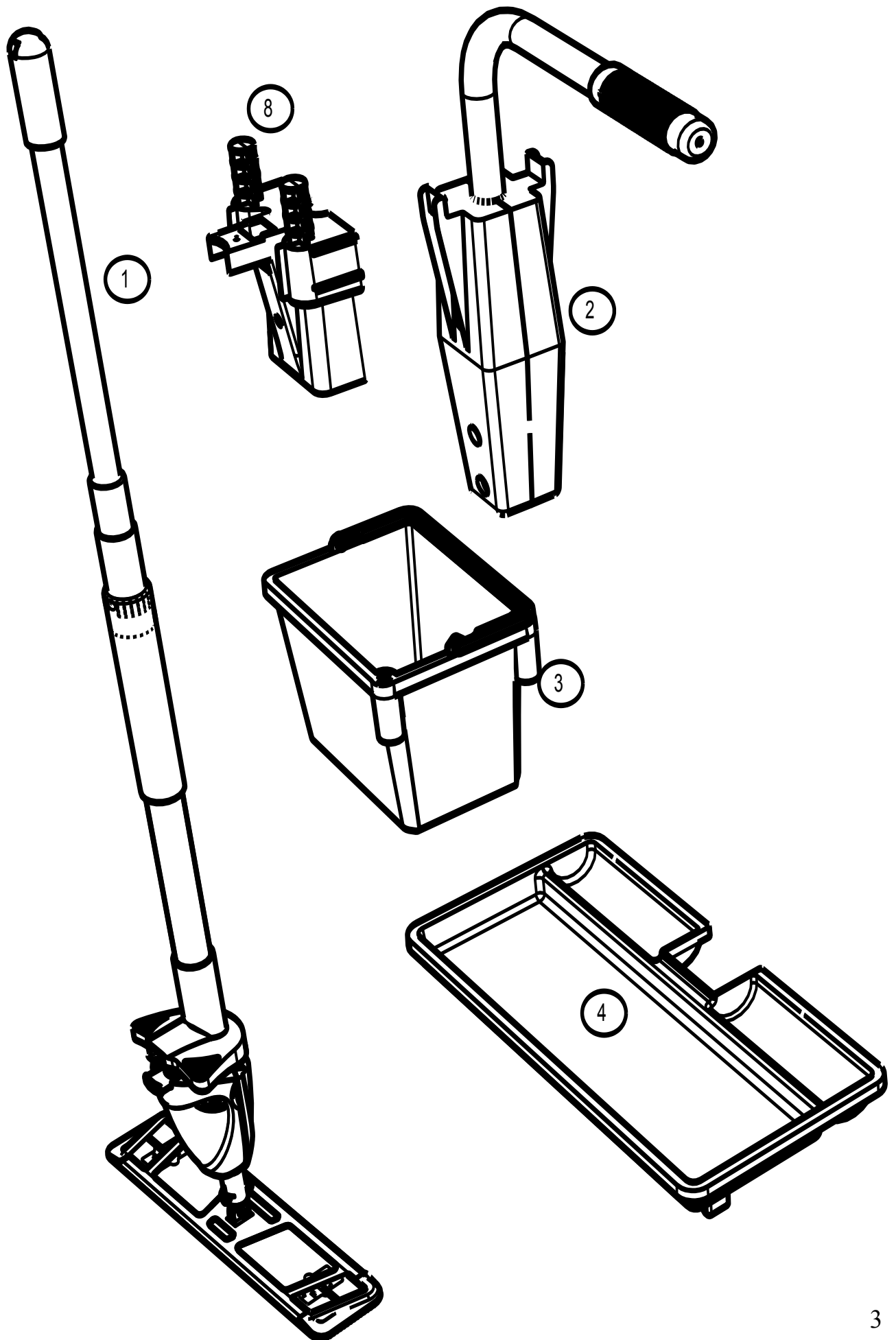
219076

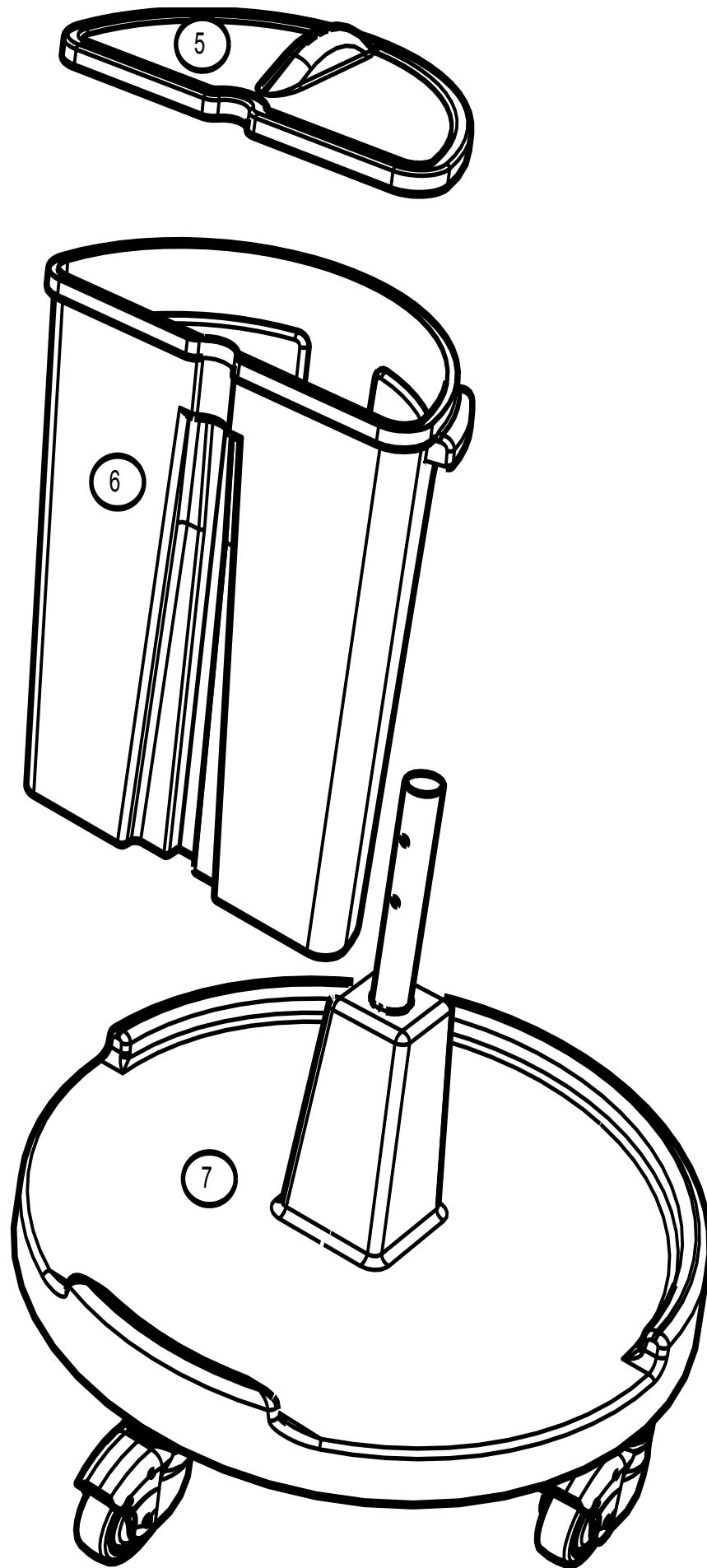


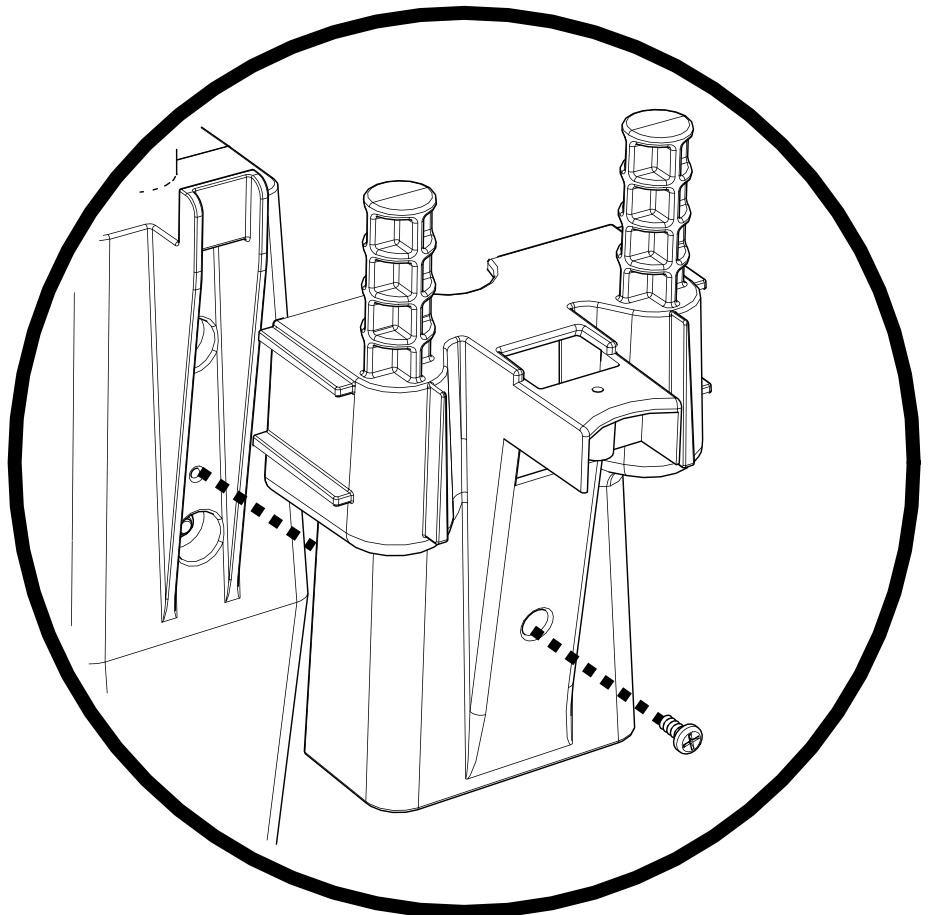
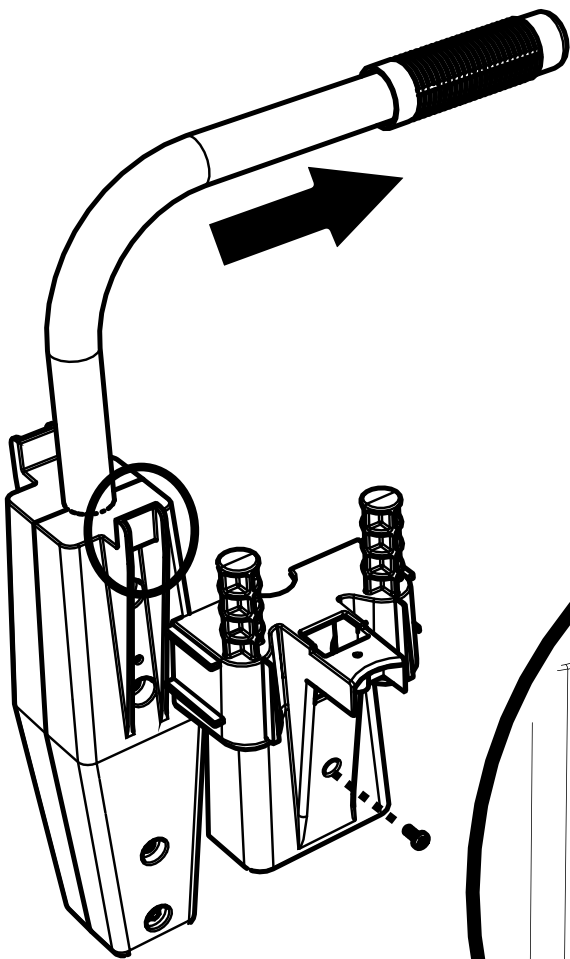
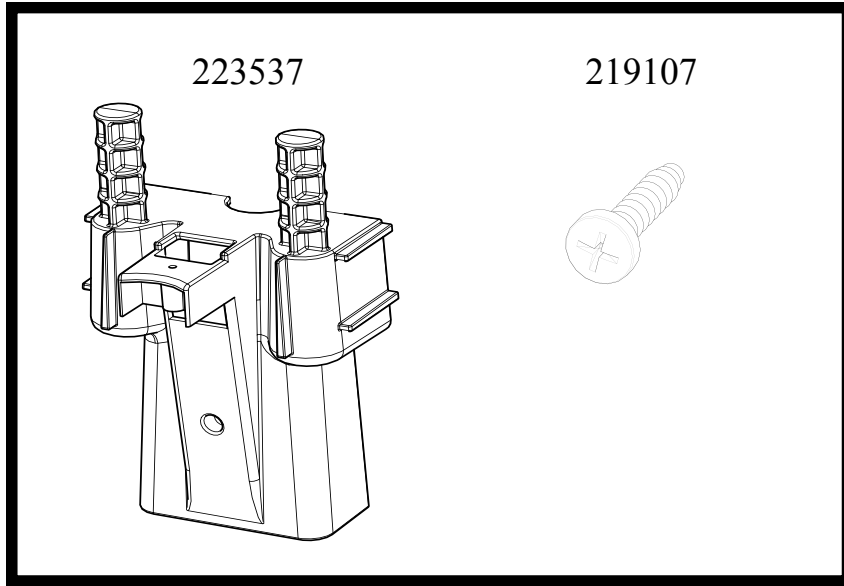
219777

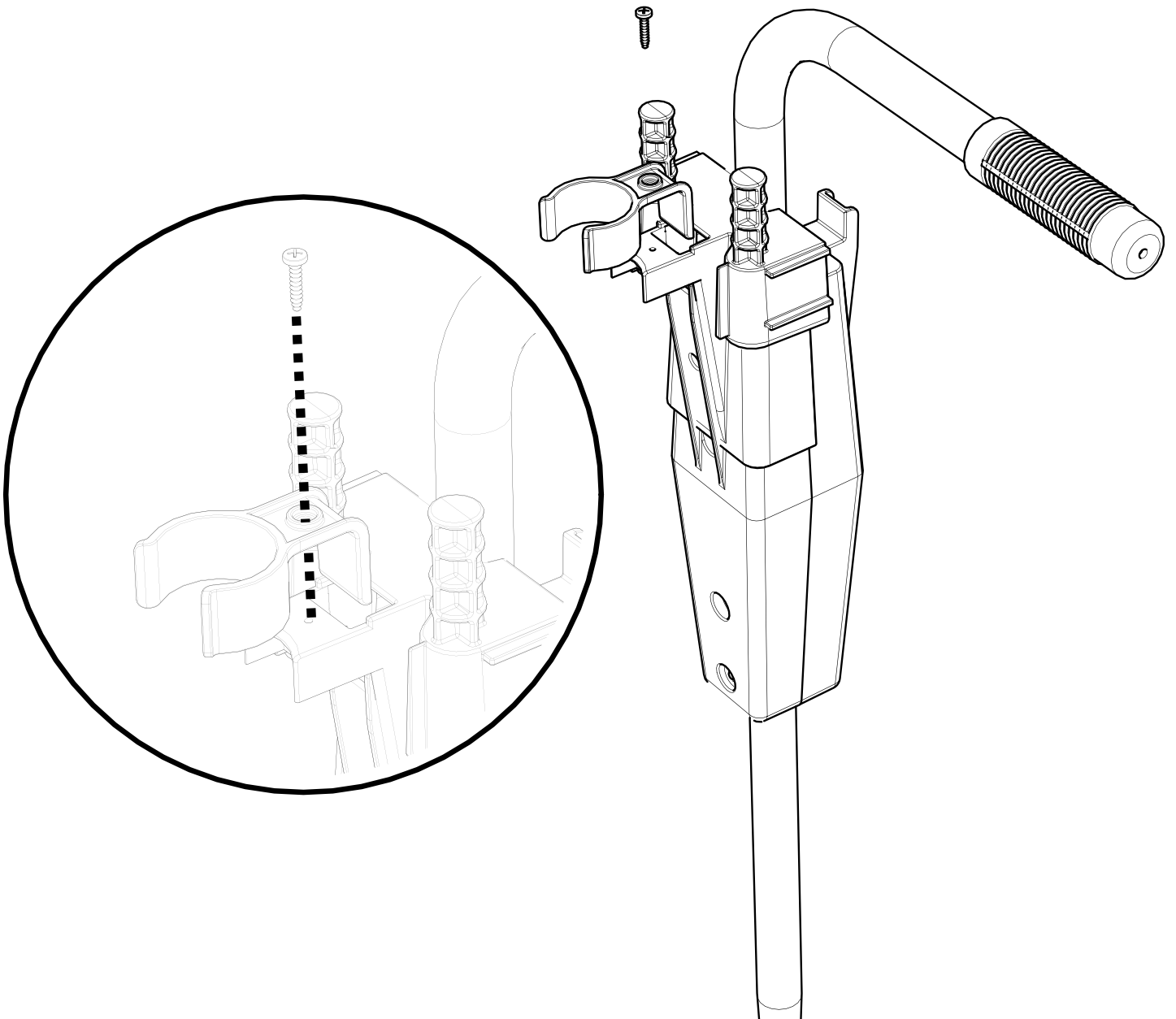
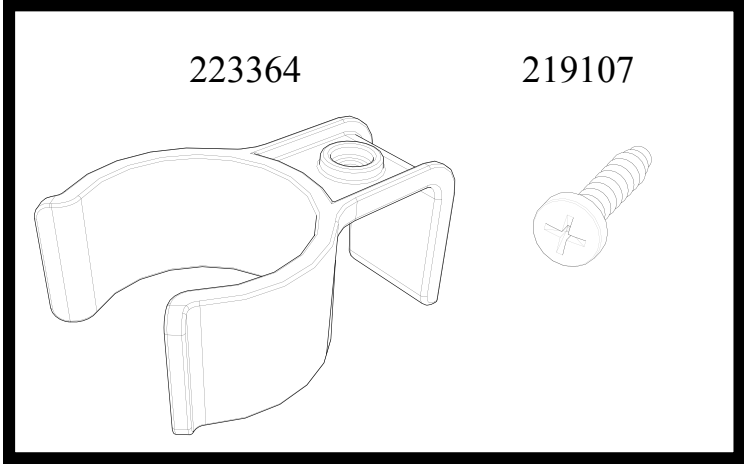


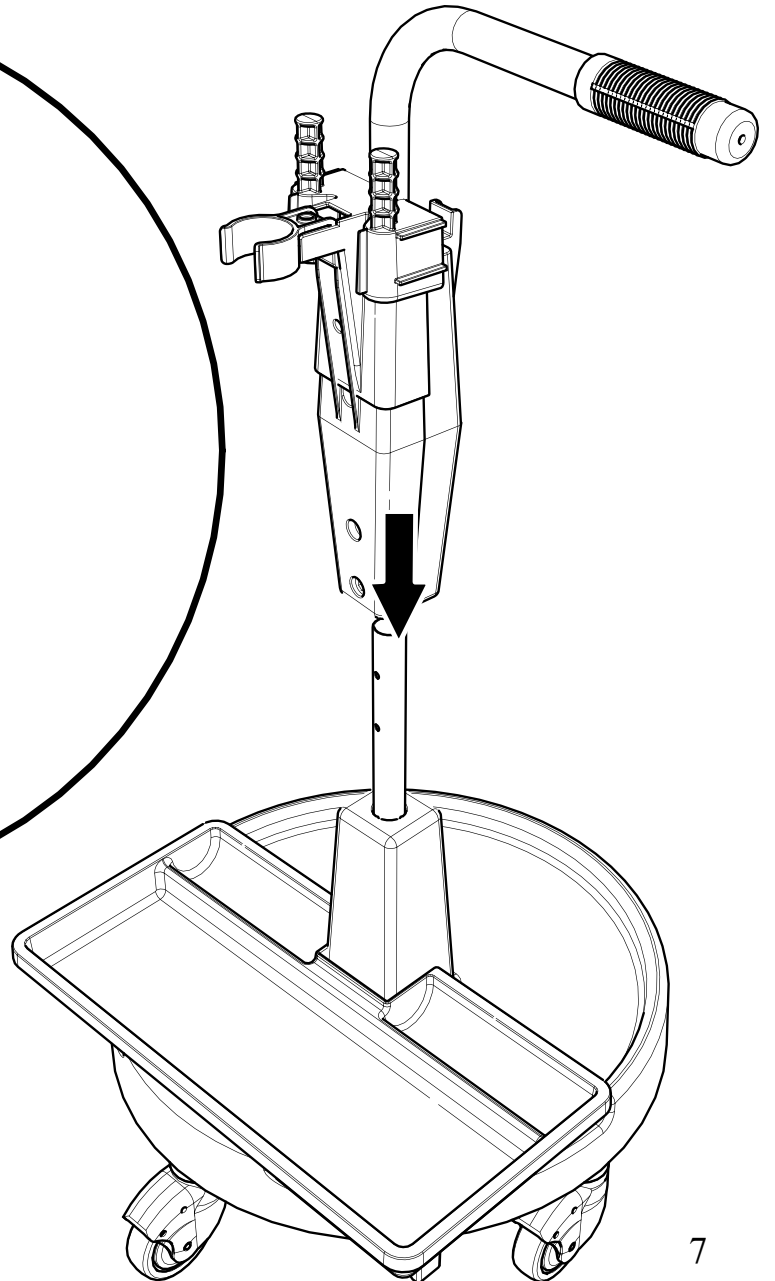
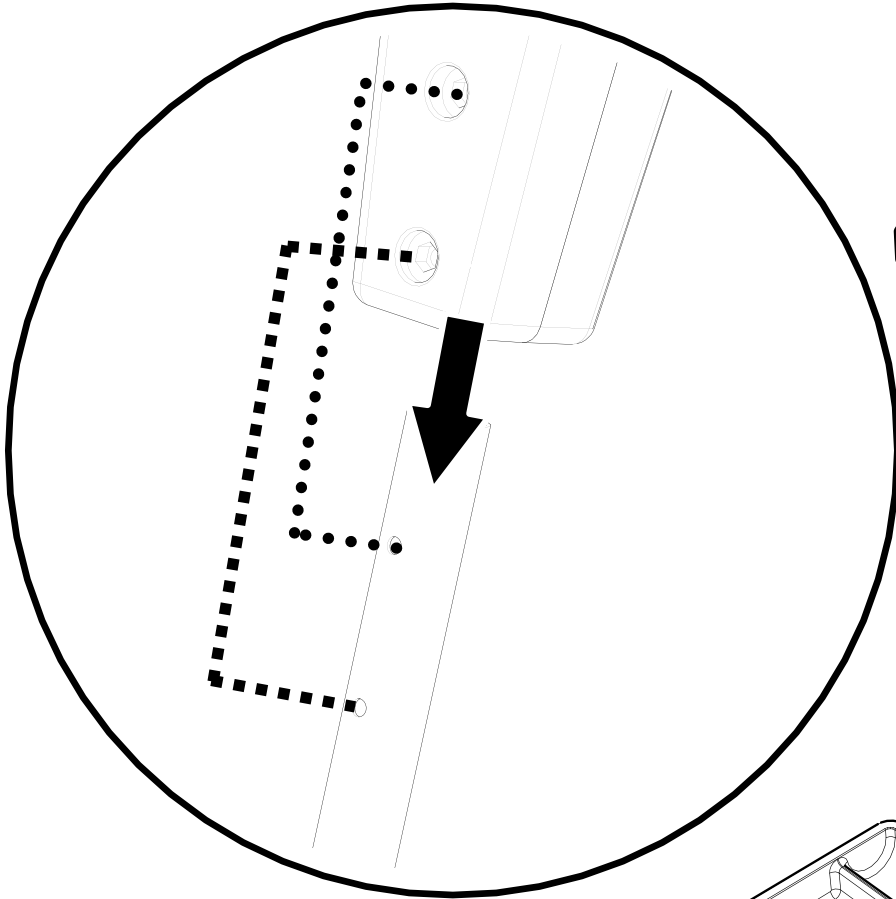
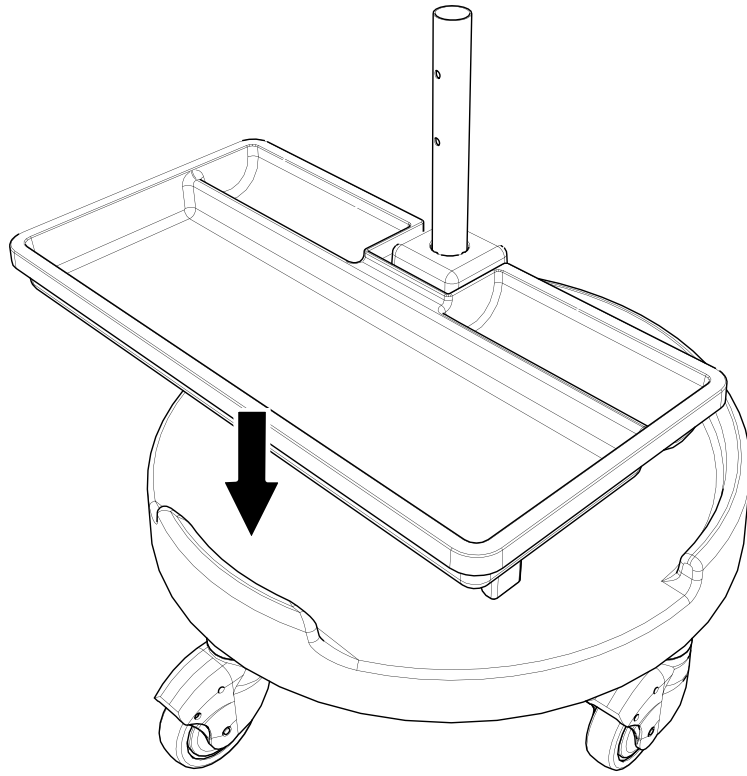
| ITEM | PART | DESCRIPTION | QTY |
|------|--------|---------------------------------------|------|
| 1 | 629604 | SPRAYMOP | 1 |
| 2 | 338244 | HANDLE ASSEMBLY | 1 |
| 2 | 223537 | BUCKET CARRIEER | 1 |
| 3 | 628773 | PAIL RED | 1 |
| 3 | 628774 | PAIL BLUE | 1 |
| 4 | 223539 | DRIP TRAY | 1 |
| 5 | 227464 | LID | 1 |
| 6 | 227463 | BIN | 1 |
| 7 | 338243 | BASE ASSEMBLY | 1 |
| 8 | 223537 | PAIL CARRIER | 1 |
| 9 | 629444 | REPLACEMENT 70L WASTE BAGS(NOT SHOWN) | 1X10 |
| 10 | 629143 | REPLACEMENT MOP CLOTH (NOT SHOWN) | 1 |



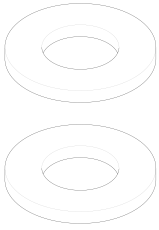








219005



219076



219777

