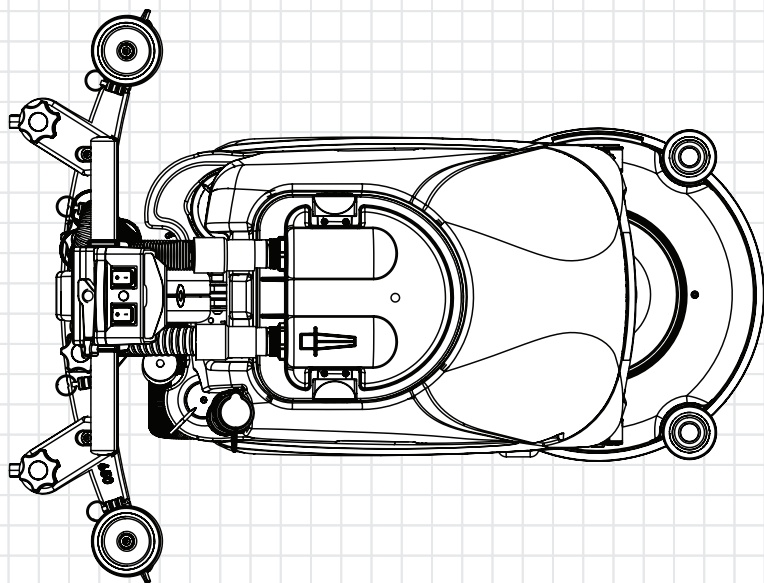
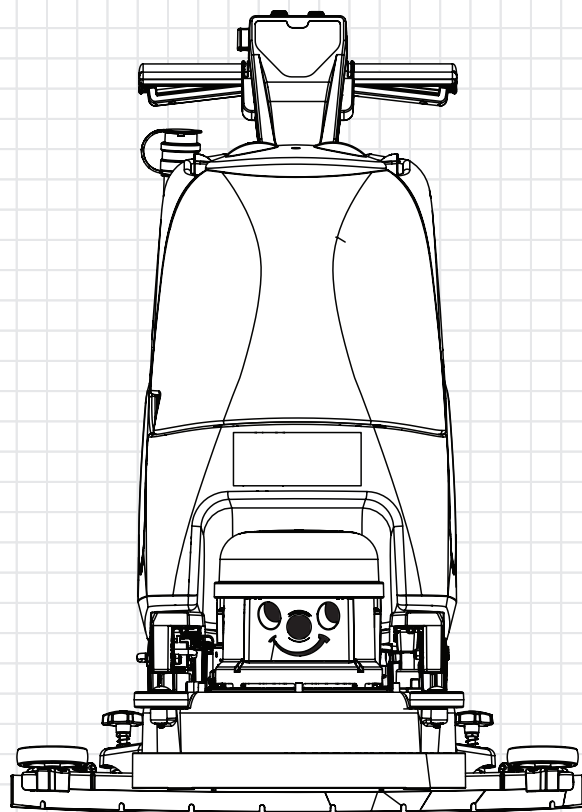
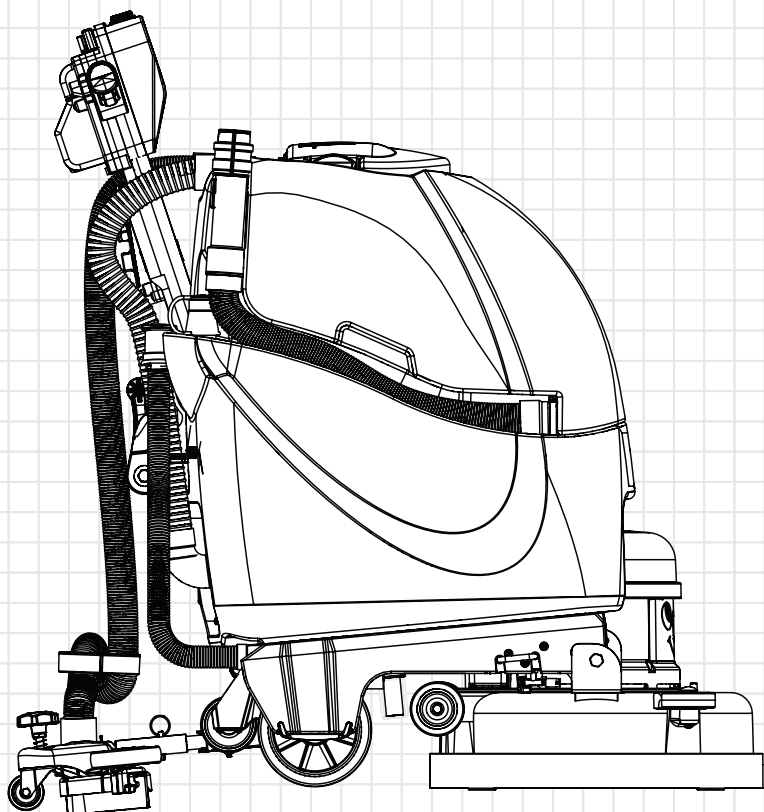


HT4045



Service Engineer Exploded Drawings

**DISCLAIMER:**

These drawings are for part order reference only and intended for service engineers use.

The installation of Genuine Numatic spare parts should only be executed by Certified Numatic service engineers who specialised and familiar with all relevant safety regulations.

Numatic International Ltd do not accept responsibility or liability for any loss or damage to property or person if repairs or servicing of products are carried out by non-certified persons.

Specifications and parts are subject to change without notice.

HAFTUNGSAUSSCHLUSS:**DE**

Diese Zeichnungen dienen nur als Referenz für Teilebestellungen und sind nur für den Gebrauch durch Servicetechniker bestimmt.

Die Montage von originalen Numatic-Ersatzteilen darf nur von zertifizierten Numatic-Servicetechnikern ausgeführt werden, die mit allen relevanten Sicherheitsvorschriften vertraut sind.

Numatic International Ltd übernimmt keine Verantwortung oder Haftung für Verluste oder Schäden an Eigentum oder Personen, wenn Reparaturen oder Wartungsarbeiten an Produkten von nicht zertifizierten Personen durchgeführt werden.

Technische Daten und Teile können ohne vorherige Ankündigung geändert werden.

CLAUDE DE NON-RESPONSABILITÉ:**FR**

Ces schémas sont fournis à titre de référence de commande de pièces uniquement et sont destinés aux techniciens de maintenance.

L'installation de pièces de rechange Numatic d'origine doit être effectuée uniquement par des techniciens de maintenance Numatic certifiés spécialisés et familiarisés avec toutes les règles de sécurité applicables.

Numatic International Ltd décline toute responsabilité en cas de perte ou de dommage matériel ou personnel si des réparations ou l'entretien des produits sont effectués par des personnes non certifiées.

Les spécifications et les pièces sont susceptibles d'être modifiées sans préavis.

DISCLAIMER:**NL**

Deze tekeningen zijn uitsluitend bedoeld als referentie voor het bestellen van onderdelen en voor gebruik door servicemonteurs.

De installatie van originele reserveonderdelen van Numatic mag alleen worden uitgevoerd door gecertificeerde servicemonteurs van Numatic die gespecialiseerd zijn en bekend zijn met alle relevante veiligheidsvoorschriften.

Numatic International Ltd aanvaardt geen verantwoordelijkheid of aansprakelijkheid voor verlies of schade aan eigendommen of personen als reparaties of onderhoud aan producten worden uitgevoerd door niet-gecertificeerde personen.

Specificaties en onderdelen kunnen zonder voorafgaande kennisgeving worden gewijzigd.

RENÚNCIA DE RESPONSABILIDADE:**PT**

Estes desenhos servem apenas como referência para a encomenda de peças e destinam-se a ser utilizados pelos técnicos de assistência.

A instalação de peças sobresselentes genuínas da Numatic só deve ser efetuada por técnicos de assistência certificados da Numatic que se especializem e familiarizem com todos os regulamentos de segurança relevantes.

A Numatic International Ltd não aceita qualquer responsabilidade por perdas ou danos materiais ou pessoais se as reparações ou a manutenção dos produtos forem efetuadas por pessoas não certificadas.

As especificações e as peças estão sujeitas a alterações sem aviso prévio.

ESCLUSIONE DI RESPONSABILITÀ:**IT**

Questi disegni sono forniti solo come riferimento per l'ordine dei componenti e sono destinati all'uso da parte dei tecnici dell'assistenza.

L'installazione di ricambi originali Numatic deve essere eseguita esclusivamente da tecnici dell'assistenza certificati Numatic specializzati e a conoscenza di tutte le norme di sicurezza pertinenti.

Numatic International Ltd non si assume alcuna responsabilità per eventuali perdite o danni alla proprietà o alle persone se le riparazioni o la manutenzione dei prodotti vengono eseguite da persone non certificate.

Le specifiche e le parti sono soggette a modifiche senza preavviso.

EXENCIÓN DE RESPONSABILIDAD:**ES**

Estos esquemas solo se muestran como referencia para pedir piezas y para su uso por parte de ingenieros de mantenimiento.

La instalación de recambios originales de Numatic solo deben realizarla los ingenieros de mantenimiento homologados de Numatic que estén especializados y familiarizados con las normativas de seguridad pertinentes.

Numatic International Ltd no acepta la responsabilidad de cualquier pérdida o daño a la propiedad o a las personas si las reparaciones o el mantenimiento de los productos se llevan a cabo por personas sin certificación.

Las especificaciones y piezas están sujetas a cambios sin previo aviso.

ZASTRZEŻENIE:**PL**

Rysunki te służą wyłącznie do celów referencyjnych podczas zamawiania części i są przeznaczone do użytku przez inżynierów serwisowych.

Montaż oryginalnych części zamiennych Numatic powinien być wykonywany wyłącznie przez certyfikowanych serwisantów firmy Numatic, którzy posiadają odpowiednie kwalifikacje i znają wszystkie odpowiednie przepisy bezpieczeństwa.

Firma Numatic International Ltd nie ponosi odpowiedzialności za jakiegokolwiek straty lub szkody majątkowe i osobiste, jeśli naprawy lub serwisowanie produktów są przeprowadzane przez osoby nieposiadające certyfikatu.

Dane techniczne i części mogą zostać zmienione bez powiadomienia.

FRISKRIVNINGSKLAUSUL:**SV**

Dessa ritningar är endast avsedda för referens vid beställning av reservdelar och är avsedda för servicetekniker.

Installation av originalreservdelar från Numatic får endast utföras av certifierade Numatic-servicetekniker som specialiserar sig på och känner till alla relevanta säkerhetsföreskrifter.

Numatic International Ltd påtar sig inget ansvar för förlust eller skada på egendom eller person om reparationer eller service av produkter utförs av icke-certifierade personer.

Specifikationerna och produktens delar kan ändras utan föregående meddelande.

VASTUUVAPAUCLAUSEKE:**FI**

Nämä piirrokset on tarkoitettu ainoastaan osien tilaamisen avuksi ja ainoastaan huoltoinsinöörien käyttöön. Aitoja Numatic-varaosia saavat asentaa vain sertifioidut Numatic-huoltoinsinöörit, jotka ovat perehtyneet kaikkiin asiaankuuluviin turvamääräyksiin.

Numatic International Ltd ei ole vastuussa mistään omaisuus- tai henkilövahingoista, jos sertifioidut henkilöt ovat korjanneet tai huoltaneet tuotteita.

Teknisiä ominaisuuksia ja osia voidaan muuttaa ilman erillistä ilmoitusta.

ANSVARFRASKRIVELSE:**DA**

Disse tegninger er kun til reference for reservedelsordrer og er beregnet til serviceteknikere.

Montering af originale Numatic-reservedele må kun udføres af certificerede Numatic-serviceteknikere, der er specialiseret i og har kendskab til alle relevante sikkerhedsbestemmelser.

Numatic International Ltd påtager sig intet ansvar for tab eller skade på ejendom eller person, hvis reparationer eller service på produkter foretages af ikke-certificerede personer.

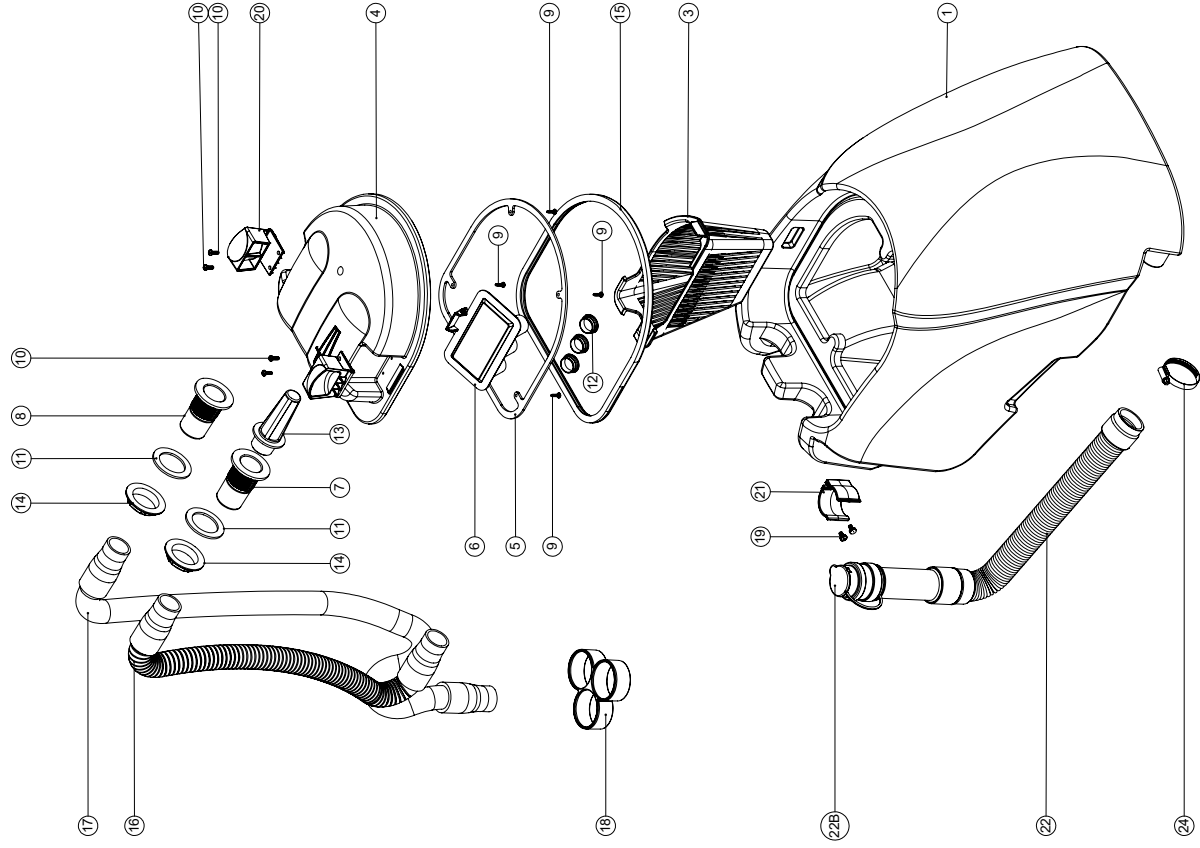
Specifikationer og dele kan ændres uden varsel.

Numatic International Spare Parts

Model No: TT4045 (TT1117) & TT4055 (TT1120) TOP TANK ASSEMBLY

244498

Internal Code: DRAWING: DRW-16795 ISS A14
13/09/2021



Numatic International Spare Parts

Model No: TT4045 (TT1117) & TT4055 (TT1120) TOP TANK ASSEMBLY

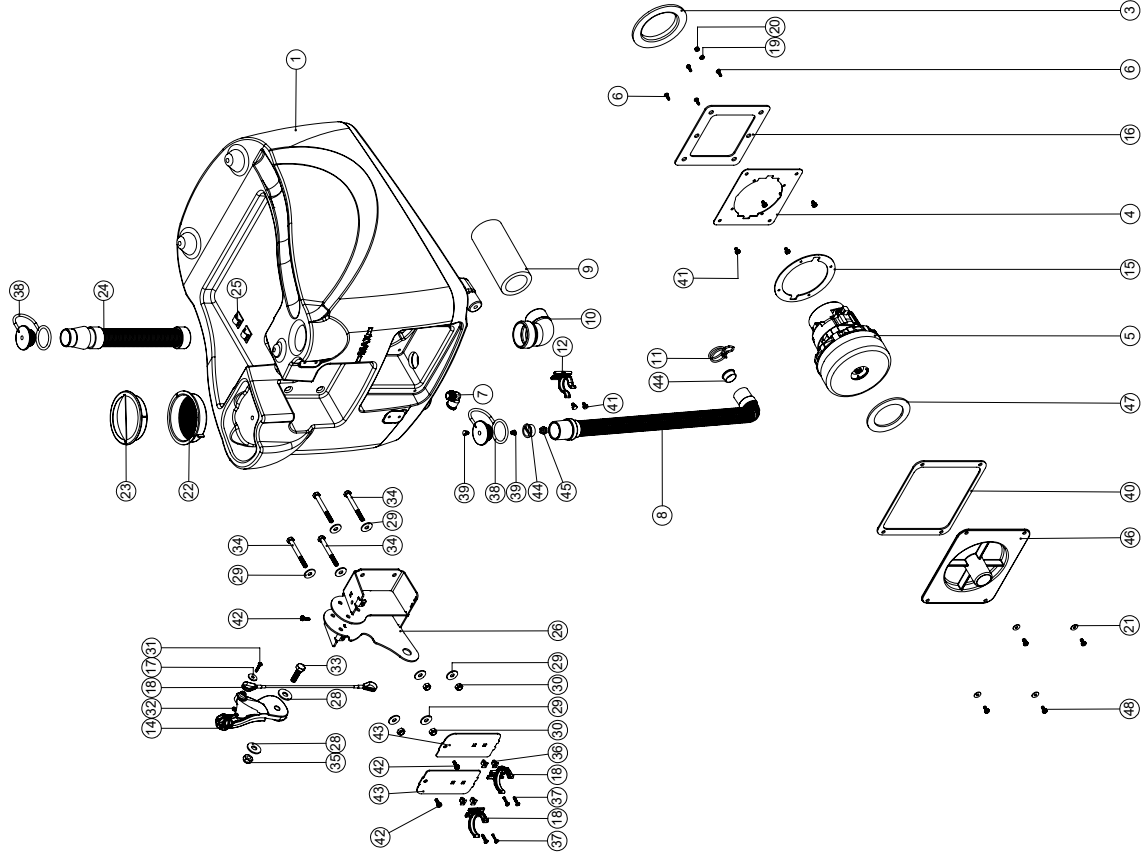
ITEM:	PART No:	DESCRIPTION	COMMENTS	QTY.
	901780	TT-4055 TOP TANK MOULDING (GRAPHITE)		1
	237656	TT-4055 TOP TANK MOULDING (BLUE)		1
	237731	TT-4055 TOP TANK MOULDING (RED)		1
1	237733	TT-4055 TOP TANK MOULDING (LIGHT YELLOW)		1
	237735	TT-4055 TOP TANK MOULDING (GREEN)		1
	907514	HT4045 TOP TANK MOULDING (BLACK)		1
3	906070	MESHLESS FILTER BASKET		1
4	237381	INTEGRATED CHASSIS SEPARATOR		1
5	392200	FILTER GASKET RING		1
6	237090	SEPARATOR FLOAT MOULDING (MK 2)		1
7	237526	38MM RED DRAIN HOSE CONNECTOR		1
8	237018	38MM DRAIN HOSE CONNECTOR		1
9	219852	N06 X 1/2 LONG POZI PAN STAINLESS STEEL SELF TAP SCREW		4
10	219569	N08 X 1/2 INCH LONG POZI PAN STAINLESS STEEL PLASTITITE SCREW		4
11	219310	RUBBER WASHER		2
12	206315	TUBE END PLUG		3
13	206285	TT/B 345 BARREL FILTER		1
14	206116	BLACK NUT		2
15	208591	NEW SEPARATOR GASKET		1
16	N/A	VAC HOSE 650MM X Ø38MM		1
17	N/A	35MM X 690MM LONG 3:1 STRETCH HOSE (SHORT & LONG CUFF)		1
18	237718	HOSE GUIDE		1
19	291135	M5 X 10MM LONG STAINLESS STEEL POZI PAN SEMS SCREW		2
20	902919	CLIP MOULDING (RED)		2
	229494	CLIP MOULDING (GREY)		2
21	237382	ACETAL HOSE CLIP MOULDING		1
22	901548	35MM X 250MM STRETCH HOSE (3:1) C/W ADJUSTABLE CUFF + CAP		1
22B	900903	HOSE CLOSURE REPLACEMENT KIT (35MM-38MM STRETCH HOSE)	SPARE PART	1
24	219919	32MM-50MM STAINLESS STEEL HOSE CLIP		1

Numatic International Spare Parts

Model No: TT4045 (TT1117) & TTB4055 (TT1120) BOTTOM TANK / VAC MOTOR ASSEMBLY

NB: FOR WIRING SEE DRAWING: DRW-18548, DRW-17307, DRW-17309, DRW-18468
NOTE: HT MODELS USE HFV STYLE MOTOR, 230V/50Hz DRW-21894, 115V/50Hz DRW-21891

24497
Drawing: DRW-16829 ISS:A22
06/06/2018



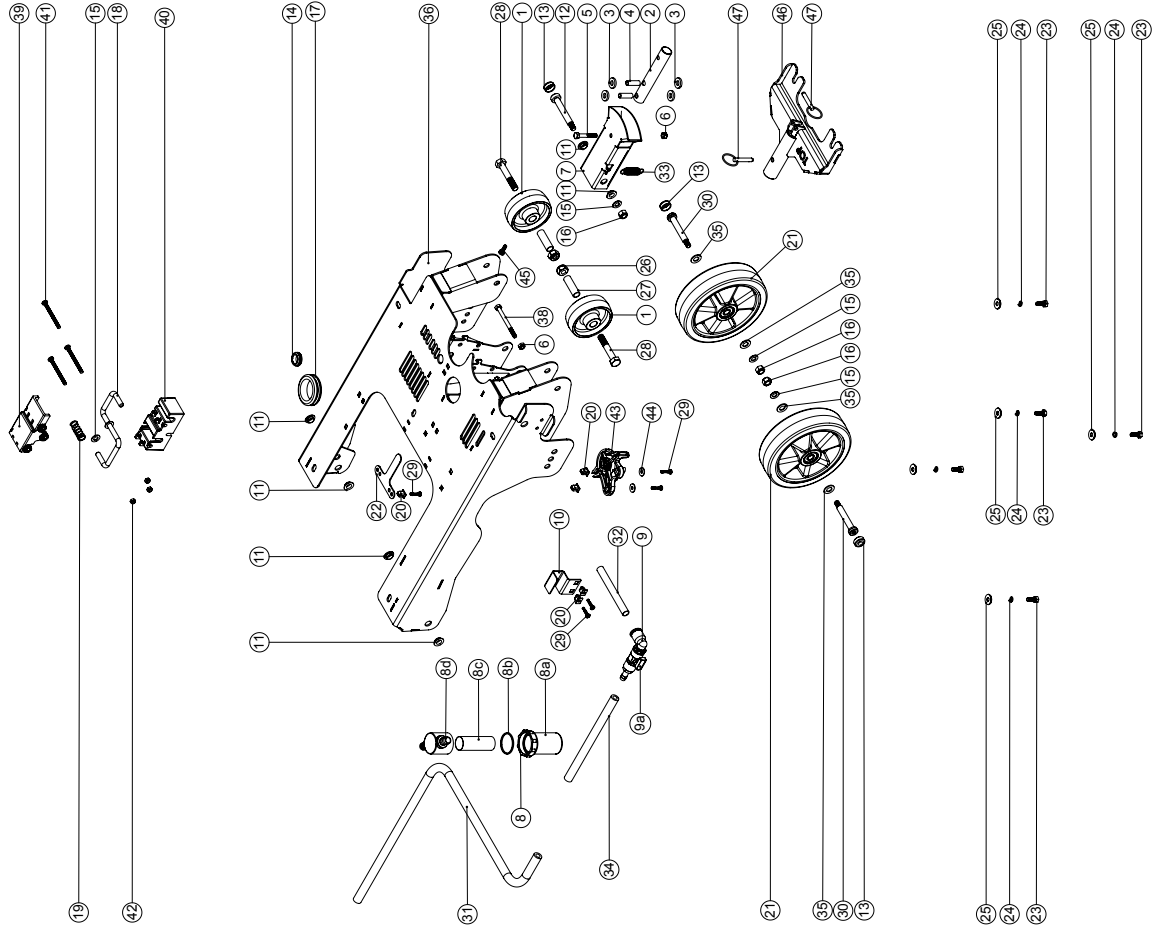
Numatic International Spare Parts

Model No: TT4045 (TT1117) & TTB4055 (TT1120) BOTTOM TANK / VAC MOTOR ASSEMBLY

ITEM:	PART No:	Description	Comments:	QTY.
1	237657	TT-4055 BOTTOM TANK MOULDING (GRAPHITE)		1
	237689	TT-4055 BOTTOM TANK MOULDING (GRAPHITE) EP		1
	907515	HT4045 BOTTOM TANK MOULDING (RED)		1
3	202008	MOTOR CAP GASKET		1
4	304417	MAINS MOTOR MOUNT WELD ASSEMBLY		1
5	205443	230V 2 STAGE D.I BYPASS ACUSTEK MOTOR (BLZ1104T) (MARKED 230V) TCO		1
	321935	120V VAC MOTOR ASSEMBLY C/W 170MM LONG MOTOR LEAD	110V/60Hz & 120V/60Hz NACE 5A OVERLOAD, OLDER BLUE MACHINES	1
	905736	120V 800W VAC MOTOR ASSEMBLY C/W 170MM LONG MOTOR LEAD	120V/80Hz, 800W VAC, NACE, 15A OVERLOAD, GREY MACHINES	1
6	219569	N68 X 1/2 INCH LONG POZI PAN STAINLESS STEEL PLASTITE SCREW		4
7	901539	ELBOW ANGLE CONNECTOR 3/8 PARALLEL THREAD C/W O-RING TO 12MM PUSH IN		1
8	213025	DUMP HOSE		1
9	206956	SILENCER FOAM TUBE 150MM		1
10	206583	DIP MOULDED ELBOW (MAINS VERSION)		1
11	902133	SPRING WIRE CLAMP (YDNAC-Y8010356)		1
12	901916	28mm HOSE CLIP		1
18	237754	35-38MM HOSE CLIP		2
14	237681	SQUEEGEE LIFT HANDLE		1
	902324	RED SQUEEGEE LIFT HANDLE		1
15	208801	TT MOTOR GASKET		1
16	208799	TT MOTOR PLATE GASKET		1
17	291118	M5 STAINLESS STEEL WASHER 19MM OD		1
18	208962	TT LIFTING WIRE		1
19	219721	M5 STAINLESS STEEL FULL NUT		1
20	219633	M5 STAINLESS STEEL NYLON INSERT NUT		1
21	219644	M5 FORM G STAINLESS STEEL WASHER		4
22	207128	CLEAN TANK INLET FILTER		1
	903543	CLEAN TANK INLET FILTER (RED)		1
23	237268	FILLER CAP LID		1
	903544	FILLER CAP LID (RED)		1
24	206960	TT/BTT FILLING HOSE		1
25	220403	CABLE CLIP		2
26	404216	HANDLE MOUNT WELD ASSEMBLY - Z/PL		1
27	219558	M5 STAINLESS STEEL NUTSERT		3
28	291124	M10 PENNY WASHER STAINLESS STEEL		2
29	219716	M8 FORM G STAINLESS STEEL WASHER		8
30	219639	M8 STAINLESS STEEL NYLON INSERT NUT		4
31	219686	M4 X 20MM LONG STAINLESS STEEL POZI PAN MACHINE SCREW		1
32	219687	M4 STAINLESS STEEL NYLON INSERT NUT		1
33	219695	M10 X 35MM LONG HEXAGONAL STAINLESS STEEL SCREW		1
34	291123	M8 X 75 LONG HEX HEAD BOLT STAINLESS STEEL		4
35	219687	M10 STAINLESS STEEL NYLON INSERT NUT		1
36	900886	NYLON GROMMET NUT (PLASTIC INSERT TO SUIT No 8 PLASTITE SCREW)		4
37	219568	N08.3/4 INCH LG.POZI-PAN.SCREW/STAINLESS STEEL.PLA/STITE		4
38	903341	32MM HOSE CAP RED (C/W 8MM HOLE)		2
39	904403	BARBED RIVET BLACK		2
40	902275	VAC PLATE GASKET		1
41	291135	M5 X 10MM LONG STAINLESS STEEL POZI PAN SEMS SCREW		6
42	291132	M5 X 16MM LONG STAINLESS STEEL POZI PAN SEMS SCREW		3
43	903539	HANDLE MOUNT COVER PAINTED SILVER		2
44	904108	FLOAT STOP MOULDING		2
45	904109	FLOAT MOULDING		1
46	907553	VAC MOTOR PLATE MOULDING		1
47	907507	4MM THICK SEALING RING		1
48	291131	M5 X 12MM LONG STAINLESS STEEL POZI PAN SEMS SCREW		4

Numatic International Spare Parts
Model No: TT4045 (TT1117) & TT4055 (TT1120) & TTB3045 CHASSIS ASSEMBLY

Internal Code: 244496
 DRAWING: DRW-18813 ISSA10
 28/06/2016



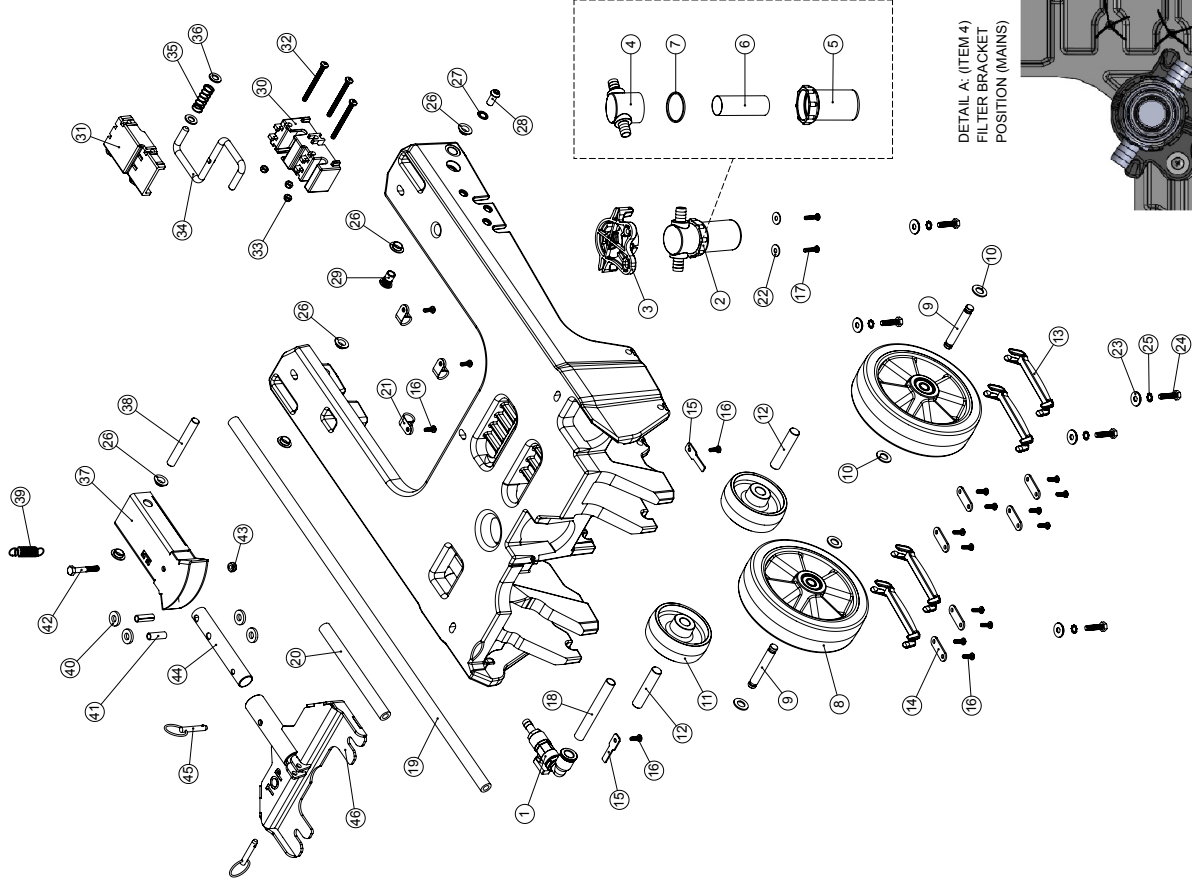
Numatic International Spare Parts
Model No: TT4045 (TT1117) & TT4055 (TT1120) & TTB3045 CHASSIS ASSEMBLY

ITEM:	PART No:	Description	Comments:	QTY.
1	206713	80MM DIAMETER WHITE WHEEL		2
2	304356	FLOOR TOOL PIVOT TUBE		1
3	206984	SLIDE NYLON SPACER		4
4	206954	SPIRO SPACER		2
5	291125	M6 X 40 LONG HEX BOLT STAINLESS STEEL		1
6	219642	M6 STAINLESS STEEL NYLON INSERT NUT		2
7	304359	TT/TTB/4045/4055 SQUEEGEE MOUNT WELD ASSEMBLY		1
8	208888	EXTENDED STRAINER		1
8a	208890	EXTENDED STRAINER CLEAR BOWL	SPARE ITEM	1
8b	208850	STRAINER GASKET	SPARE ITEM	1
8c	208889	EXTENDED STRAINER 50 MESH SCREEN	SPARE ITEM	1
8d	208827	STRAINER BLACK TOP	SPARE ITEM	1
9	901543	12MM SWIVEL ELBOW PUSH FIT TO 10MM HOSE TAIL BALL VALVE ASSEMBLY		1
9a	901544	TAP HANDLE CW COVER AND M3X6MM SCREW (SPARE ITEM)		1
10	392314	10MM TAP BRACKET		1
11	208312	IGUS BEARING (GFM 101205)		6
12	208574	M8 X 10 X 60 SHOULDER BOLT		1
13	237632	SHOULDER BOLT COVER		3
14	219631	19MM GROMMET		1
15	219578	M8 FORM A STAINLESS STEEL WASHER		4
16	219639	M8 STAINLESS STEEL NYLON INSERT NUT		3
17	208771	TPR OPEN GROMMET	TT-4045/55 ONLY (MAINS)	1
18	304358	DECK LOCK BAR WELD ASSEMBLY		1
19	208578	DECK LOCK SPRING		1
20	900986	NYLON GROMMET NUT (PLASTIC INSERT TO SUIT No 8 PLASTITE SCREW)		5
21	208658	160mm WHEEL WITH POLYURETHENE TYRE		2
22	321902	SILENCER CLAMP	TT-4045/55 ONLY (MAINS)	1
23	219719	M6 X 16MM LONG HEXAGONAL STAINLESS STEEL HEAD BOLT		5
24	219718	WASHER,M6 SPRING,STAINLESS STEEL		5
25	219647	M6 FORM G STAINLESS STEEL WASHER		5
26	219897	M10 STAINLESS STEEL NYLON INSERT NUT		2
27	391440	1/2 INCH X 18G X 41MM LONG STAINLESS STEEL SPACER TUBE		2
28	219894	M10 X 60MM LONG HEXAGONAL STAINLESS STEEL BOLT		2
29	219568	N08.3/4 INCH LG POZI-PAN SCREW STAINLESS STEEL PLASTITE		5
30	291057	M8 X 10 X 55MM LONG HEX SOCKET SHOULDER BOLT		2
31	391216	SILICON TUBE 8MM I/D X 3.2MM WALL SECTION (CUT 600MM)		1
32	901555	NYLON TUBE 12MM OD X 10MM ID (110MM)		1
33	208819	FLOOR TOOL SPRING		1
34	391215	SILICON TUBE 200MM LONG X 8MM I/D X 3.2MM WALL SECTION		1
35	219903	M10 FORM A STAINLESS STEEL WASHER		4
36	900213	TT/4045/4055 CHASSIS WELD ASSY (12SWG S/S) (2014 MODEL)		1
37	219568	M5 STAINLESS STEEL NUT/SET		1
38	291167	M6 X 70MM LONG HEX HEAD BOLT STAINLESS STEEL		1
39	901279	LATCH BLOCK TOP MOULDING		1
40	901280	LATCH BLOCK BOTTOM MOULDING		1
41	901558	M5 X 60MM STAINLESS STEEL POZI PAN MACHINE SCREW		3
42	219633	M5 STAINLESS STEEL NYLON INSERT NUT		3
43	901006	FILTER MOUNTING BRACKET		1
44	219644	M5 FORM G STAINLESS STEEL WASHER		2
45	291132	M5 X 16MM LONG STAINLESS STEEL POZI PAN SEMS SCREW		1
46	304466	FLOOR TOOL BRACKET ASSEMBLY (TT/TTB4045/4055)		1
47	206953	DETENT PINS		2

Numatic International Spare Parts

Model No: TT4045G & TT4055G CHASSIS ASSEMBLY EXPLODED VIEW

Internal Code: 904402
 Drawing No: DRW-23621 ISS:A05



Numatic International Spare Parts

Model No: TT4045G & TT4055G CHASSIS ASSEMBLY EXPLODED VIEW

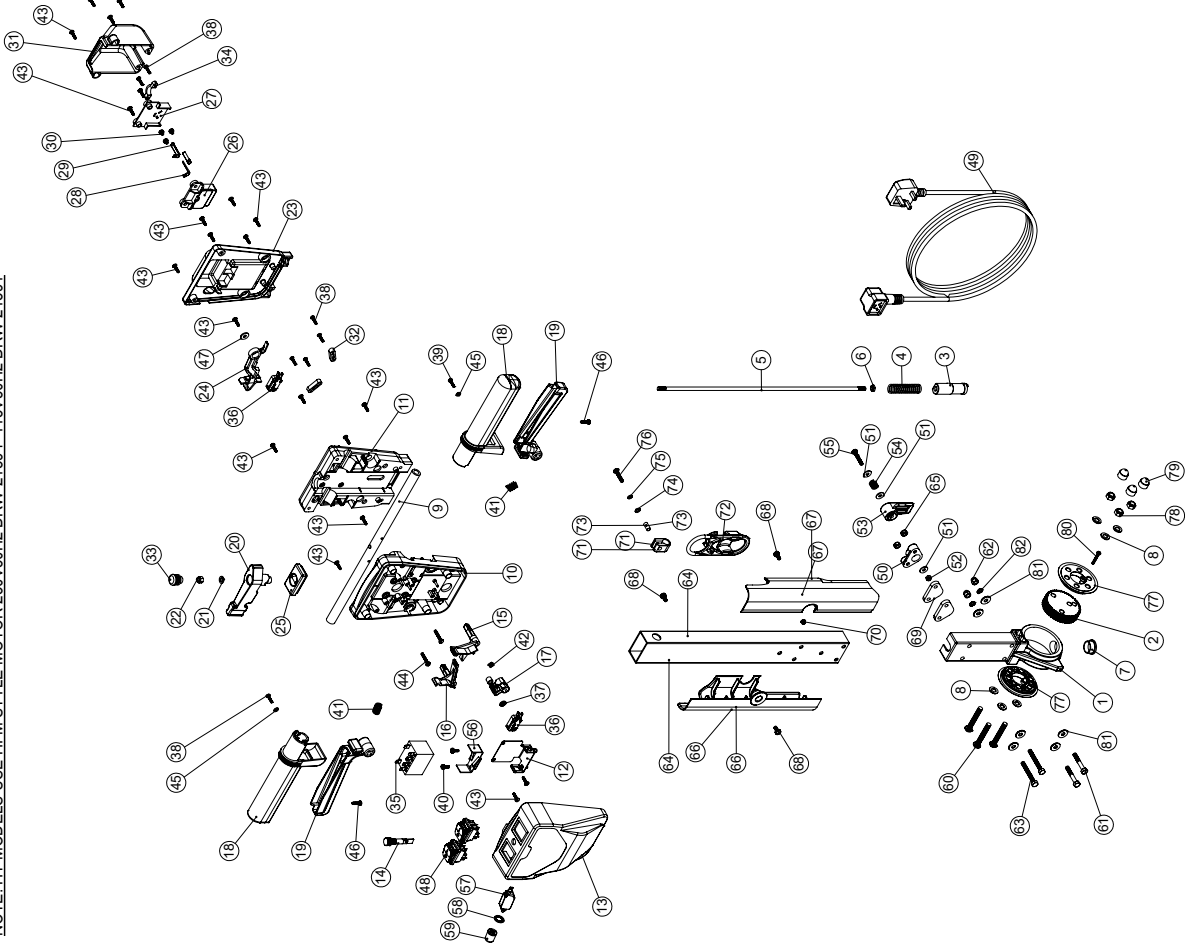
ITEM:	PART No:	DESCRIPTION	COMMENTS:	QTY
	904902	PLASTIC CHASSIS (BLACK)		
1	901543	12MM SWIVEL ELBOW PUSH FIT TO 10MM HOSE TAIL BALL VALVE ASSEMBLY		1
2	208888	EXTENDED STRAINER		1
3	901006	FILTER MOUNTING BRACKET	DETAIL A	1
4	208827	STRAINER BLACK TOP	PART OF ITEM 3 (208888)	1
5	208890	68MM EXTENDED STRAINER CLEAR BOWL	PART OF ITEM 3 (208888)	1
6	208889	EXTENDED STRAINER 50 MESH SCREEN	PART OF ITEM 3 (208888)	1
7	208830	STRAINER GASKET	PART OF ITEM 3 (208888)	1
8	208638	160mm WHEEL WITH POLYURETHENE TYRE		2
9	903577	AXLE BAR ST/ST 10MM DIA. 68MM LONG		2
10	219603	M10 FORM A STAINLESS STEEL WASHER		4
11	206713	60MM DIAMETER WHITE WHEEL		2
12	903576	AXLE BAR ST/ST 12.7MM DIA. 60MM LONG		2
13	903597	AXLE CLIP		4
14	903596	AXLE PLATE		6
15	903594	TAP PLATE		2
16	219569	N08.1/2 INCH LG.POZI-PAN SCREW STAINLESS STEEL PLASTITE		17
17	219568	N08.3/4 INCH LG.POZI-PAN SCREW STAINLESS STEEL PLASTITE		2
18	903573	NYLON TUBE 12MM OD X 10MM ID (96MM +-1.0)		1
19	903580	SILICON TUBE 640MM LONG X 8MM ID X 14.4MM OD		1
20	903581	SILICON TUBE 155MM LONG X 8MM ID X 14.4MM OD		1
21	219465	P-CLIP		3
22	219644	M6 FORM G STAINLESS STEEL WASHER		2
23	219647	M6 FORM G STAINLESS STEEL WASHER		5
24	219925	M6 x 25MM LONG STAINLESS STEEL HEX SCREW		5
25	902353	M6 EXTERNAL SHAKEPROOF WASHER STAINLESS STEEL		5
26	206812	IGUS BEARING (GFM 101205)		6
27	902520	M8 INTERNAL WASHER SHAKEPROOF STAINLESS STEEL		1
28	903566	M8X16MM LONG STAINLESS STEEL SOCKET BUTTON HEAD BOLT		1
29	903565	M8 STAINLESS STEEL HEADED NUTSERT		1
30	901280	LATCH BLOCK BOTTOM MouldING		1
31	901279	LATCH BLOCK TOP MouldING		1
32	901558	M6 X 60MM STAINLESS STEEL POZI PAN MACHINE SCREW		3
33	219633	M6 STAINLESS STEEL NYLON INSERT NUT		3
34	904440	DECK LATCH BAR		1
35	208578	DECK LOCK SPRING		1
36	219578	M8 FORM A STAINLESS STEEL WASHER		2
37	304359	TT/TTB4045/4055 SQUEEGEE MOUNT WELD ASSEMBLY		1
38	903575	AXLE BAR ST/ST 10MM DIA. 75MM LONG		1
39	208619	FLOOR TOOL SPRING		1
40	206964	SLIDE NYLON SPACER		4
41	206954	SPIRO SPACER		2
42	291125	M6 X 40 LONG HEX BOLT STAINLESS STEEL		1
43	219642	M6 STAINLESS STEEL NYLON INSERT NUT		1
44	304356	FLOOR TOOL PIVOT TUBE		1
45	206953	DETENT PINS		2
46	304466	FLOOR TOOL BRACKET ASSEMBLY (TT/TTB4045/4055)		1
47	903589	TT/B PLASTIC CHASSIS		1

Numatic International Spare Parts

Model No: TT4045 (TT1117) & TT4055 (TT1120) HANDLE ASSEMBLY EXPLODED

244495
DRAWING: DRW-16831 ISS:A24
01/03/2022

NB: FOR WIRING SEE DRAWING: DRW-18548, DRW-17307, DRW-17309, DRW-18468
NOTE: HT MODELS USE HFM STYLE MOTOR Z30V50HZ DRW-21894, 115V50HZ DRW-21891



Numatic International Spare Parts

Model No: TT4045 (TT1117) & TT4055 (TT1120) HANDLE ASSEMBLY EXPLODED

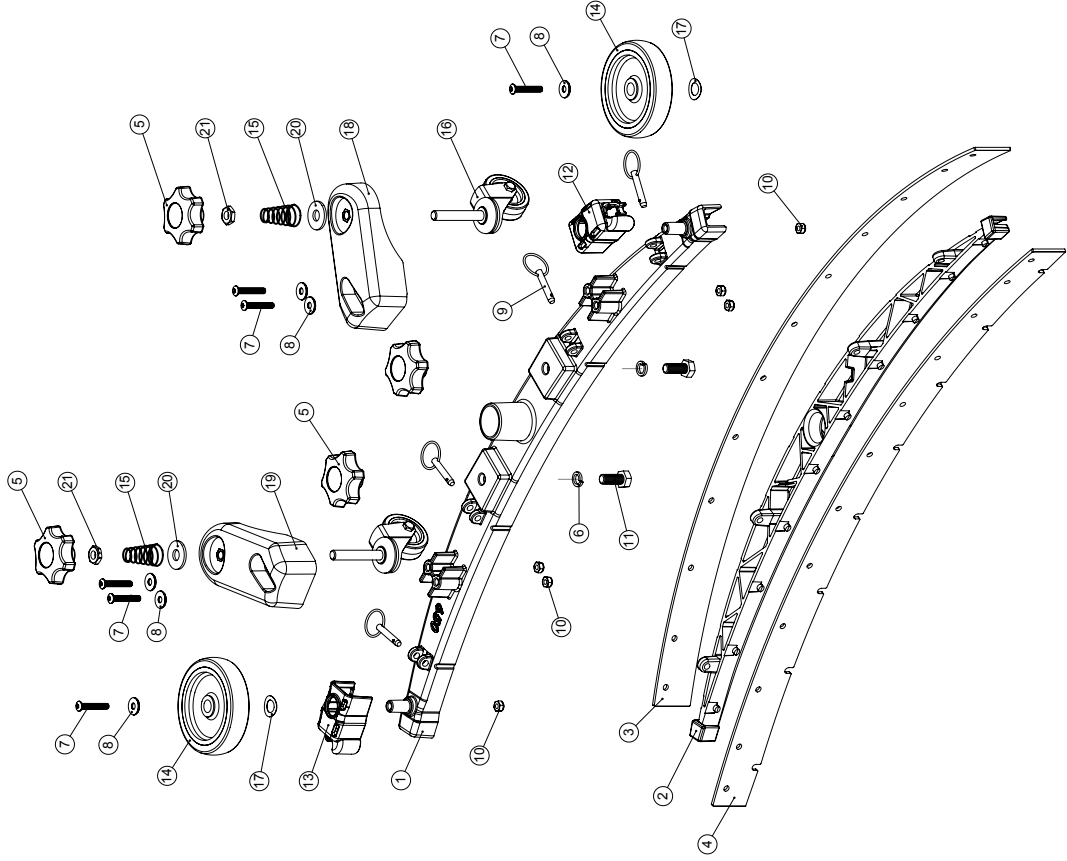
ITEM:	PART No:	DESCRIPTION	COMMENTS:
1	900398	HANDLE CASTING MACHINED (HNS VERSION)	
2	900397	MINI ADJUSTMENT GEAR	
3	224073	GEAR SPOCKING PIN	
4	224461	440MM HANDLE LOCKING ROD	
5	224461	M8 FORM A STAINLESS STEEL WASHER	
6	215039	25MM DIA HOLE PLUG	FOR HT MODELS 237542
7	229099	M8 FORM A STAINLESS STEEL WASHER	CSA SPEC
8	218576	M8 HALF NUT	FOR HT MODELS 237543
9	229099	M8 FORM A STAINLESS STEEL WASHER	CSA SPEC
10	229099	M8 FORM A STAINLESS STEEL WASHER	
11	229099	M8 FORM A STAINLESS STEEL WASHER	
12	229099	M8 FORM A STAINLESS STEEL WASHER	
13	229099	M8 FORM A STAINLESS STEEL WASHER	
14	229099	M8 FORM A STAINLESS STEEL WASHER	
15	229099	M8 FORM A STAINLESS STEEL WASHER	
16	229099	M8 FORM A STAINLESS STEEL WASHER	
17	229099	M8 FORM A STAINLESS STEEL WASHER	
18	229099	M8 FORM A STAINLESS STEEL WASHER	
19	229099	M8 FORM A STAINLESS STEEL WASHER	
20	229099	M8 FORM A STAINLESS STEEL WASHER	
21	229099	M8 FORM A STAINLESS STEEL WASHER	
22	229099	M8 FORM A STAINLESS STEEL WASHER	
23	229099	M8 FORM A STAINLESS STEEL WASHER	
24	229099	M8 FORM A STAINLESS STEEL WASHER	
25	229099	M8 FORM A STAINLESS STEEL WASHER	
26	229099	M8 FORM A STAINLESS STEEL WASHER	
27	229099	M8 FORM A STAINLESS STEEL WASHER	
28	229099	M8 FORM A STAINLESS STEEL WASHER	
29	229099	M8 FORM A STAINLESS STEEL WASHER	
30	229099	M8 FORM A STAINLESS STEEL WASHER	
31	229099	M8 FORM A STAINLESS STEEL WASHER	
32	229099	M8 FORM A STAINLESS STEEL WASHER	
33	229099	M8 FORM A STAINLESS STEEL WASHER	
34	229099	M8 FORM A STAINLESS STEEL WASHER	
35	229099	M8 FORM A STAINLESS STEEL WASHER	
36	229099	M8 FORM A STAINLESS STEEL WASHER	
37	229099	M8 FORM A STAINLESS STEEL WASHER	
38	229099	M8 FORM A STAINLESS STEEL WASHER	
39	229099	M8 FORM A STAINLESS STEEL WASHER	
40	229099	M8 FORM A STAINLESS STEEL WASHER	
41	229099	M8 FORM A STAINLESS STEEL WASHER	
42	229099	M8 FORM A STAINLESS STEEL WASHER	
43	229099	M8 FORM A STAINLESS STEEL WASHER	
44	229099	M8 FORM A STAINLESS STEEL WASHER	
45	229099	M8 FORM A STAINLESS STEEL WASHER	
46	229099	M8 FORM A STAINLESS STEEL WASHER	
47	229099	M8 FORM A STAINLESS STEEL WASHER	
48	229099	M8 FORM A STAINLESS STEEL WASHER	
49			
50			
51			
52			
53			
54			
55			
56			
57			
58			
59			
60			
61			
62			
63			
64			
65			
66			
67			
68			
69			
70			
71			
72			
73			
74			
75			
76			
77			
78			
79			
80			
81			
82			

Numatic International Spare Parts

Model No: 650 TWINTEC ALUMINIUM FLOOR TOOL (38MM HOSE)

599439, 599440, 599469
 DRAWING: DRW-17997 ISS:A10
 22/08/2019

NB: FOR WIRING SEE DRAWING. N/A



Numatic International Spare Parts

Model No: 650 TWINTEC ALUMINIUM FLOOR TOOL (38MM HOSE)

ITEM:	PART No:	Description	SERILOR BLADES/EXP /QTY:
1	208198	(650MM SCRUB WIDTH) ALUMINIUM SQUEEGEE CASTING (38MM HOSE FITTING)	1
2	229987	(650MM SCRUB WIDTH) BLADE HOLDER MouldING (SLOPING PROFILE) (32MM & 38MM HOSE FITTING)	1
3	SEE TABLE	(650MM SCRUB WIDTH) REPLACEMENT (4.0MM / 35-45-35 SHORE A) REAR LAMINATED SERILOR POLYBLADE (847MM LONG) (Item No.208970)	1
4	SEE TABLE	(650MM SCRUB WIDTH) REPLACEMENT (3.2MM / 40 SHORE A) FRONT MONOLAYER SERILOR POLYBLADE (819MM LONG) (Item No.208967)	1
5	903281	M10 LOBE KNOB (RED)	4
6	219899	M10 SINGLE COIL STAINLESS STEEL WASHER	2
7	219933	M6 X 35MM SOCKET BUTTON HEAD BOLT STAINLESS STEEL	6
8	219647	M6 FORM G STAINLESS STEEL WASHER	6
9	206953	DETENT PINS	4
10	219642	M6 STAINLESS STEEL NYLON INSERT NUT	6
11	219909	M10 X 25MM LONG HEXAGONAL STAINLESS STEEL SCREW	2
12	237322	RIGHT HAND FLOOR TOOL CLIP MouldING	1
13	237323	LEFT HAND FLOOR TOOL CLIP MouldING	1
14	208796	4 INCH WHEEL	2
15	229175	CONICAL SPRING	2
16	907759	50MM DIAMETER GREY TPR TYRED SWIVEL CASTOR C/W M10 X 60 SWAGED STEM.	2
17	219891	13MM WAVEY WASHER	2
18	906860	ADJUSTABLE FLOOR TOOL CASTOR PLASTIC PLATE LEFT	1
19	906859	ADJUSTABLE FLOOR TOOL CASTOR PLASTIC PLATE RIGHT	1
20	291124	M10 PENNY WASHER STAINLESS STEEL	2
21	219951	A4 (STAINLESS STEEL) M10 HEX LOCK NUT (HALF NUT)	2

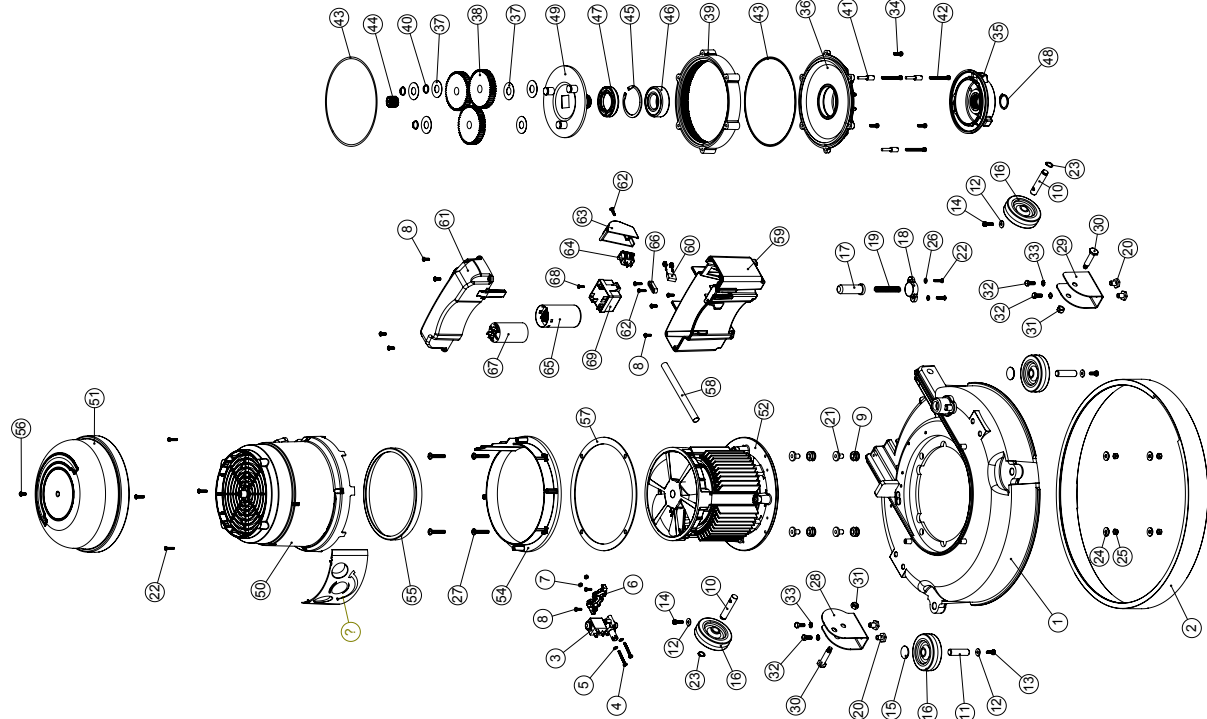
BLADE	FRONT	REAR
POLYURETHANE 43 SHORE A	206977	206978
POLYURETHANE 50 SHORE A	208199	208202
LINATEX NATURAL RUBBER 40 SHORE A	208201	208203
SERILOR CLEAN POLYURETHANE FRONT: 40 SHORE A / REAR: 35-45-35 SHORE A	208967	208970

Numatic International Spare Parts

Model No: HT4045 450MM MAINS DECK ASSEMBLY

WD NOTE: HT MODELS USE HFM STYLE MOTOR 230V/50HZ DRW-21894 115V/50HZ DRW-21891

907500
DRAWING: DRW-27011 ISS:A02
06/06/2018



Numatic International Spare Parts

Model No: HT4045 450MM MAINS DECK ASSEMBLY

ITEM:	PART No:	Description	QTY:
1	904896	TT 345 RED BASE MouldING	1
2	904898	450MM DIAMETER SPLASH SKIRT MouldING (BLACK)	1
3	220348	SOLENOID VALVE 240V 50/60HZ	1
4	219703	M4 X 35MM LONG STAINLESS STEEL POZI PAN SCREW	2
5	219688	M4 FORM A STAINLESS STEEL WASHER	2
6	902556	SOLENOID MOUNT MouldING	1
7	219687	M4 STAINLESS STEEL NYLON INSERT NUT	2
8	219669	N68 X 1/2 INCH LONG POZI PAN STAINLESS STEEL PLASTITTE SCREW	9
9	229025	STANDARD GROMMET	4
10	229382	REAR WHEEL PIN	2
11	206013	BUFFER WHEEL PIN	2
12	219644	M5 FORM G STAINLESS STEEL WASHER	4
13	291132	M5 X 16MM LONG STAINLESS STEEL POZI PAN SEMS SCREW	2
14	291133	M5 X 20MM LONG STAINLESS STEEL POZI PAN SEMS SCREW	2
15	204021	12.7MM STAINLESS STEEL HUB CAP	2
16	204068	3 INCH GREY WHEEL	4
17	229128	PLUNGER	4
18	223242	PLUNGER MOUNTING PLATE MouldING	1
19	219384	COMPRESSION SPRING	1
20	219606	BRACKET SPACER	4
21	208011	MOTOR MOUNTING SPACER	4
22	219568	N08.3/4 INCH LG.POZI-PAN SCREW STAINLESS STEEL PLASTITTE	6
23	219345	12MM EXTERNAL CIRCLIP	2
24	219647	M6 FORM G STAINLESS STEEL WASHER	4
25	219642	M6 STAINLESS STEEL NYLON INSERT NUT	4
26	219355	M5 FORM A STAINLESS STEEL WASHER	2
27	219643	M5 X 35MM LONG STAINLESS STEEL POZI PAN SCREW	4
28	392248	DECK MOUNT BRACKET	1
29	392249	DECK MOUNT RH	1
30	206236	PIVOT PIN	2
31	219639	M8 STAINLESS STEEL NYLON INSERT NUT	2
32	219719	M8 X 16MM LONG HEXAGONAL STAINLESS STEEL HEAD BOLT	4
33	902353	M6 EXTERNAL SHAKEPROOF WASHER STAINLESS STEEL	4
34	219604	M5 X 16MM LONG HEXAGONAL STAINLESS STEEL BOLT	3
35	230207	DIE CAST CHUCK MACHINED	1
36	230208	DIE CAST BOTTOM PLATE ASSY	1
37	230215	35MM X 15 ID ALUMINIUM WASHER	6
38	230013	48 TOOTH SPUR GEAR(STANDARD SPEED 50/60HZ)	3
39	214115	GEAR BOX MID SECTION	1
40	230015	15MM EXTERNAL CIRCLIP	3
41	208207	GEARBOX FASTENER WITH SLOT	3
42	219706	M5 X 45MM LONG STAINLESS STEEL HEXAGONAL BOLT	3
43	230001	V OIL SEAL	2
44	230027	12 TOOTH PINION GEAR (STANDARD SPEED)	1
45	230200	62MM INTERNAL CIRCLIP	1
46	230084	62MM O/D X 30MM I/D X 20MM BEARING (WITH SEALS)	1
47	230158	VITON OIL SEAL (BROWN)	1
48	230048	26MM EXTERNAL CIRCLIP	1
49	230291	PLANET CARRIER & PIN ASSEMBLY (50HZ STANDARD SPEED)	1
50	907431	FMH MID SECTION MouldING (RED) C/W INSERT	1
51	906152	FMH HENRY LID	1
52	205202	INDUCTION MOTOR 4-POLE 1500W/220-240V 50Hz	1
53	907430	FMH FACE MouldING PRINTED	1
54	907462	BOTTOM SECTION MouldING (CARDINAL RED)	1
55	237412	HFM TOP MOTOR GASKET	1
56	219471	M4 X 12MM LONG POZI PAN SEMS SCREW	1
57	906405	HFM MOTOR SPLASH GUARD	1
58	330086	MOTOR WIRE SLEEVE	1
59	907493	TT CAPACITOR BOX BOTTOM MouldING C/W 2 INSERTS (BLACK)	1
60	230136	SUPPRESSOR ASSEMBLY	1
61	907489	CAPACITOR BOX UPPER (BLACK)	1
62	219914	N06 X 5/8 INCH LONG POZI-PAN PLASTITTE STAINLESS STEEL SCREW	3
63	229213	PLUG COVER	1
64	220584	RENDAR CLIP IN PLUG	1
65	205088	MOTOR START CAPACITOR 150MFD 280V C/W RESISTOR AND M8 STUD	1
66	227008	BLACK CABLE CLAMP	1
67	220887	MOTOR RUN CAPACITOR 25 MFD 450V	1
68	219318	N06 X 1/2 INCH LONG POZI PAN PLASTITTE SCREW (Z/PL)	1
69	902715	SINGLE SPEED RELAY 230V, RVA6N0D	1

Numatic International Limited (Head Office)

Chard, Somerset TA20 2GB, UNITED KINGDOM

Tel: 01460 68600 numatic.com

Numatic International GmbH

Fränkische Straße 15-19, 30455 Hannover, DEUTSCHLAND

Tel: +49 (0) 511 984 2160 numatic.de

Numatic International Denmark

Fränkische Straße 15-19, 30455 Hannover, DEUTSCHLAND

Tel: +45 (0) 316 40808 numatic-online.dk

Numatic International S.A.S

13/17 rue du Valengelier, EAE la Tuilerie, 77500 Chelles, FRANCE

Tel: +33 (0) 164 726 161 numatic.fr

Numatic International BV

Vennootsweg 15, 2404 CG, Alphen aan den Rijn, NEDERLAND

Tel: +31 (0) 172 467 999 numatic.nl

Numatic International Schweiz AG.

Sihlbruggstrasse 3A, 6340 Baar, SCHWEIZ

Tel: +41 (0) 41 768 0760 numatic.ch

Numatic International (PTY) Ltd.

Cnr. 16th & Pharmaceutical Road, Randjes Park, Midrand 1685, SOUTH AFRICA

Tel: +27 (0) 861 686 284 numatic.co.za

Numatic International ULDA

Rua Francisco da Silva Duarte, nº79,

4475-269 Santa Maria de Avioso, Castelo da Maia, PORTUGAL

Tel: +351 220 047 700 numatic.pt

Numatic International Spain, S.L.U.

Av. Baix Llobregat, 5-7, Oficina bajos 1 (Parc Negocis Mas Blau II)

08820 El Prat de Llobregat (Barcelona), SPAIN

Tel: +34 93 647 22 22 numatic.es

Numatic International Italy S.R.L

Via Luigi Galvani, 2, Z.I. Talponedo, 33080 Porcia (PN), ITALY

Tel: +39 (0) 434 046 211 numatic.it