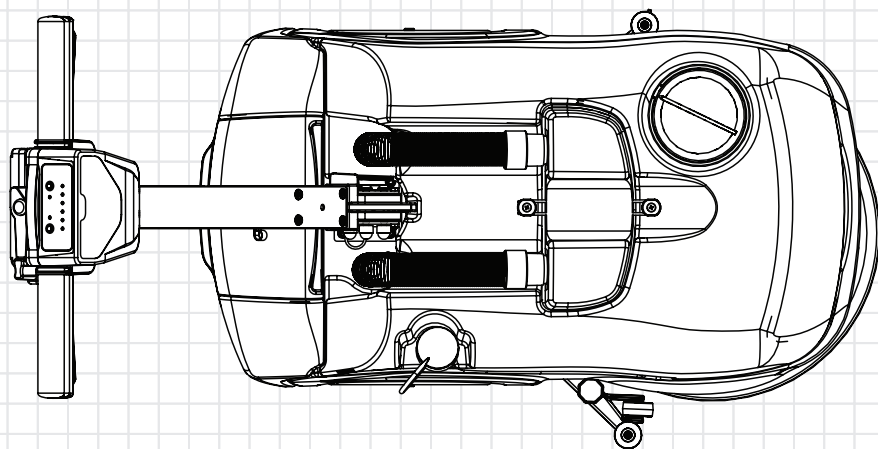
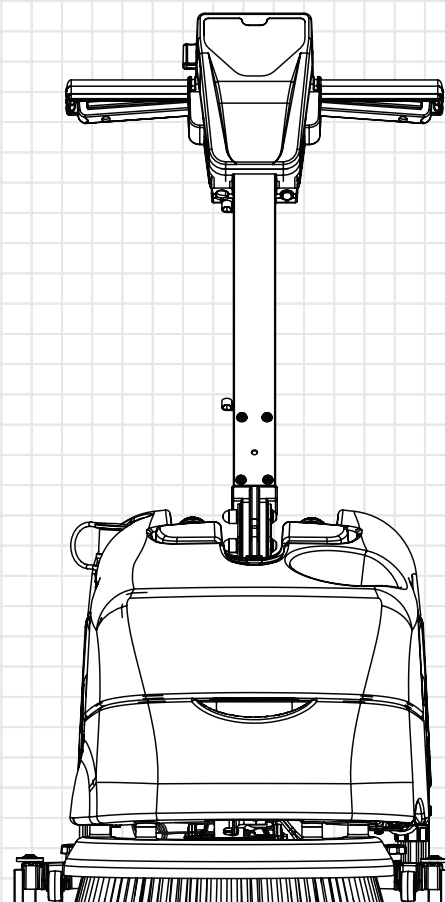
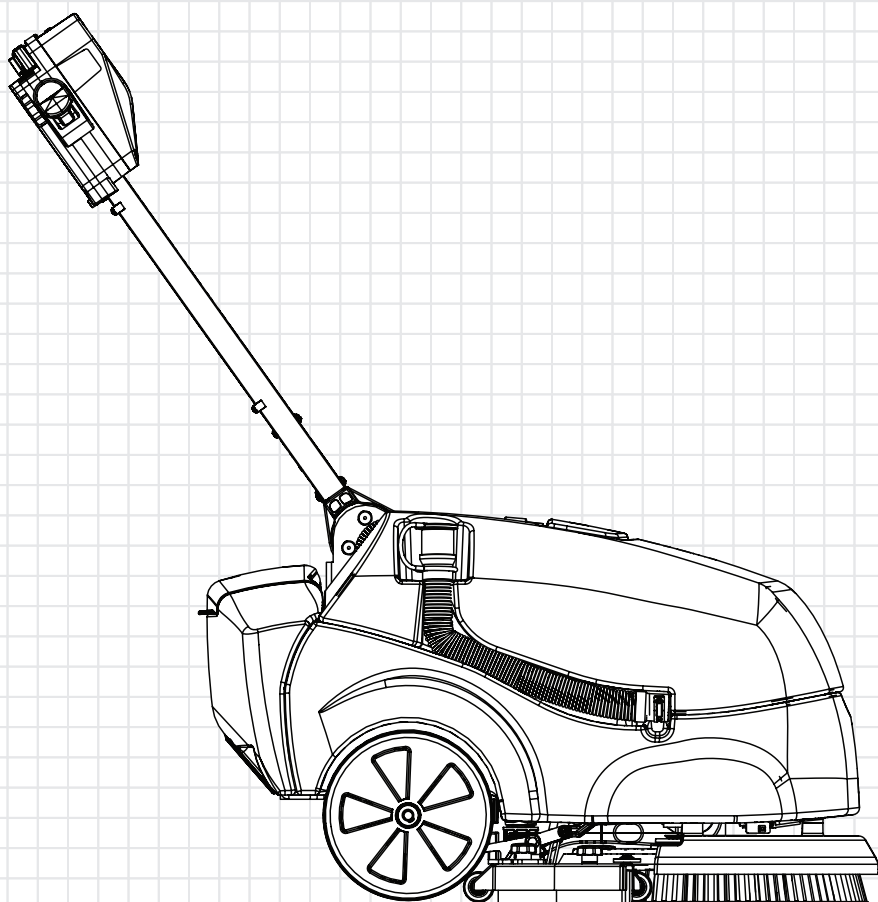


# TTB1840NX



## Service Engineer Exploded Drawings



### DISCLAIMER:

These drawings are for part order reference only and intended for service engineers use.

The installation of Genuine Numatic spare parts should only be executed by Certified Numatic service engineers who specialised and familiar with all relevant safety regulations.

Numatic International Ltd do not accept responsibility or liability for any loss or damage to property or person if repairs or servicing of products are carried out by non-certified persons.

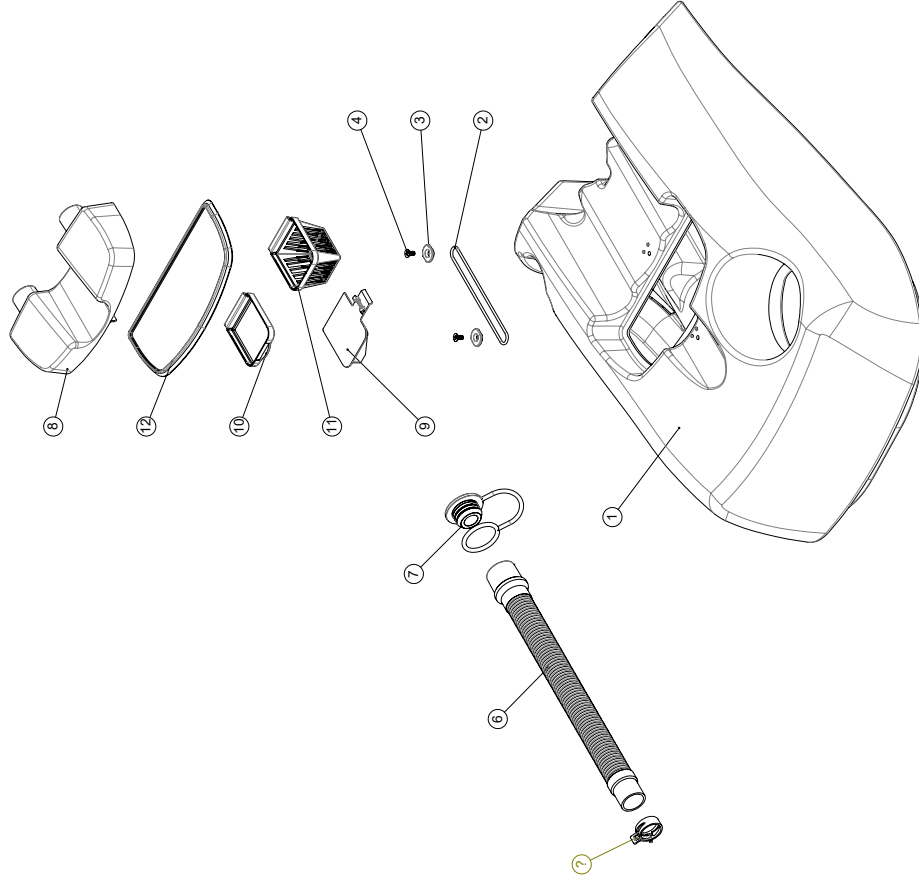
Specifications and parts are subject to change without notice.

**Numatic International Spare Parts**

**Model No:** TTB (& HTB) 1840 TOP TANK & SEPARATOR - EXPLODED

903831  
DRAWING: DRW-32397 ISS A12  
27/11/2019

NB: FOR WIRING SEE DRAWING: WD-0722



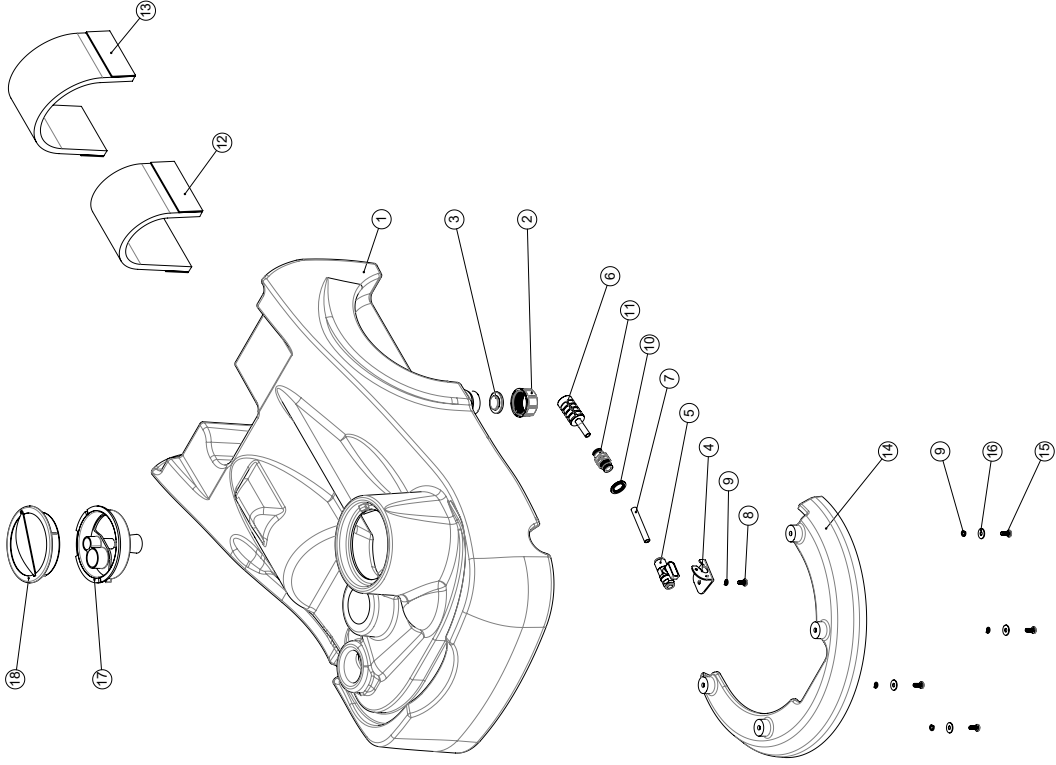
**Numatic International Spare Parts**

**Model No:** TTB (& HTB) 1840 TOP TANK & SEPARATOR - EXPLODED

ITEM NO.	PART NUMBER	DESCRIPTION	QTY	COMMENTS:
1	903302	TTB 1840 TOP TANK (GRAPHITE)	1	
2	208715	O RING (3mmDIA.95mm)	1	
3	237397	O RING CLIP MOULDING (BLACK)	2	
4	291008	M5 X 10MM LONG POZI PAN COUNTERSUNK STAINLESS STEEL SCREW	2	
5	208471	HEAVY DUTY SPRING BAND CLAMP (27MM) [NOMINAL DIA 32MM - ABBEY CLAMPS E770320]	1	
6	208466	TTB 1840 DUMP HOSE	1	
7	903325	32MM HOSE CAP RED	1	
8	237230	TTB 1840 SEPARATOR MOULDING	1	
9	237231	TTB 1840 SHUT OFF FLAP	1	
10	237232	TTB 1840 AIR FILTER PANEL	1	
11	237411	TOP TANK FILTER	1	
12	237418	TTB 1840 SEPARATOR SEAL MOULDING	1	

903830, 913406  
 DRAWING: DRW-32395 ISS:A21  
 16/12/2020

**Numatic International Spare Parts**  
**Model No:** TTB (& HTB) 1840 AND 36V 1840 NX BOTTOM TANK - EXPLODED



**Numatic International Spare Parts**  
**Model No:** TTB (& HTB) 1840 AND 36V 1840 NX BOTTOM TANK - EXPLODED

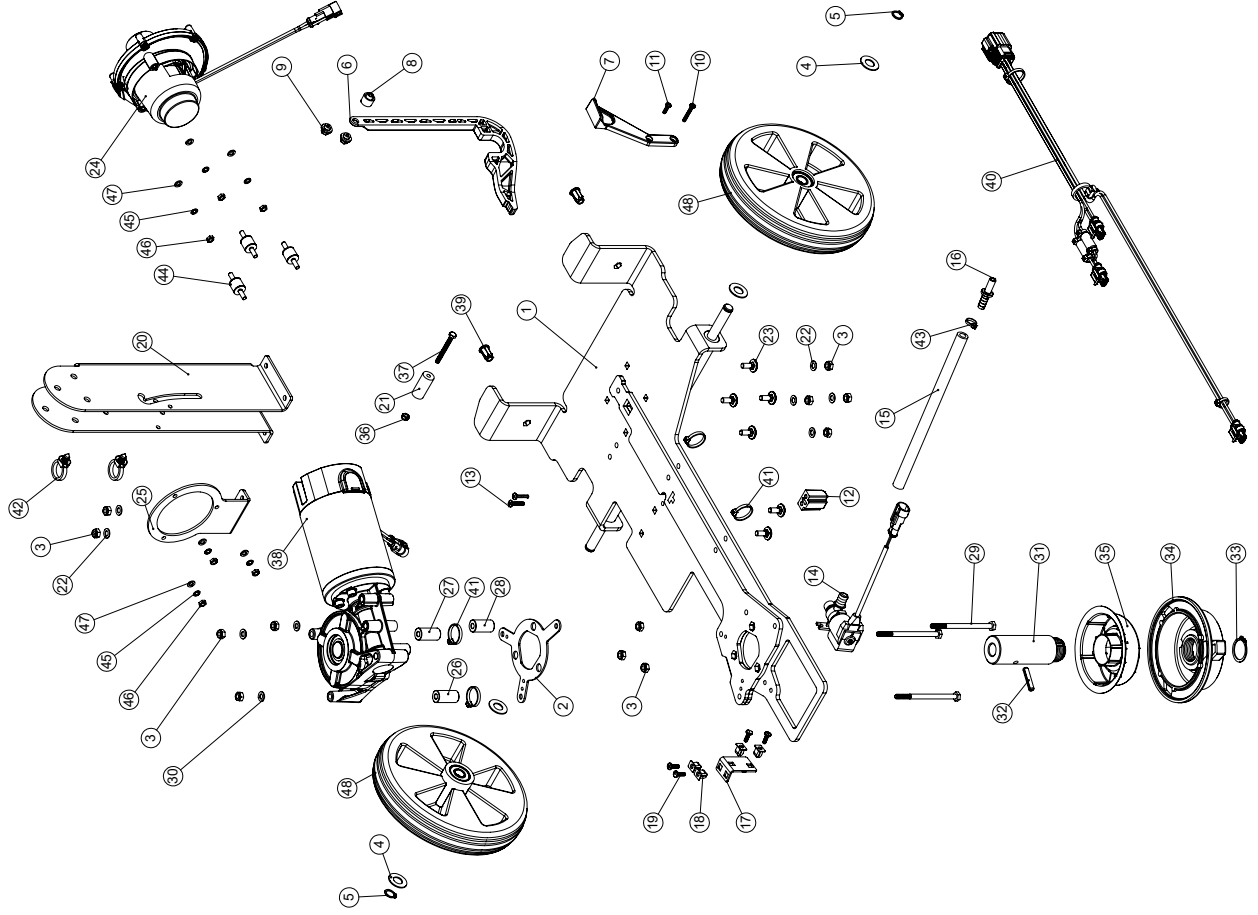
ITEM NO.	PART NUMBER	DESCRIPTION	QTY	COMMENTS:
1	237228	TTB 1840 CLEAN TANK	1	
2	906415	CAP MOULDING	1	
3	905467	SEALING BUNG	1	
4	392125	TTB 1840 TAP PLATE	1	
5	216260	MINI BALL VALVE	1	
6	303961	TANK FILTER ASSEMBLY	1	
7	303960	TANK FILTER TUBE	1	
8	219668	M5 X 10MM LONG POZI PAN STAINLESS STEEL SCREW	1	
9	219861	M5 SINGLE COIL STAINLESS STEEL WASHER	5	
10	208525	BONDED SEAL	1	
11	902109	8MM PUSH FIT BRASS BULKHEAD FITTING	1	
12	208479	TTB 1840 FOAM PAD (100 X 320)	1	903830, TTB (& HTB) 1840 BOTTOM TANK ASSEMBLY
13	208478	TTB 1840 FOAM PAD (90 X 370)	1	903830, TTB (& HTB) 1840 BOTTOM TANK ASSEMBLY
	913373	36V TTB 1840 NX FOAM PAD (90 X 370)	1	913406, TTB (& HTB) 36V 1840 NX BOTTOM TANK ASSEMBLY
14	237233	TTB 1840 DECK MOULDING (GRAPHITE)	1	
15	219740	M5 X 12MM LONG STAINLESS STEEL POZI PAN SCREW	4	
16	219644	M5 FORM G STAINLESS STEEL WASHER	4	
17	303985	TTB 1840 FILLER CAP ASSEMBLY	1	
18	903544	FILLER CAP LID (RED)	1	

**Numatic International Spare Parts**

**Model No:** TTB 1840 36V BASE - EXPLODED

NB: FOR WIRING SEE DRAWING - DRW-32476 (911781)

911698  
DRAWING: DRW-32280 ISS A14  
23/09/2021



**Numatic International Spare Parts**

**Model No:** TTB 1840 36V BASE - EXPLODED

ITEM NO.	PART NUMBER	DESCRIPTION	QTY.
1	911863	TTB 1840 36V CHASSIS WELDED ASSEMBLY Z/PL	1
2	429127	NUT RETAINING PLATE Z/PL	1
3	219642	M6 STAINLESS STEEL NYLON INSERT NUT	12
4	208490	TTB 1840 WHEEL WASHER	4
5	219345	12MM EXTERNAL CIRCLIP	2
6	903926	TTB 1840 SQUEEGEE LIFT ARM (RED)	1
7	903879	TTB 1840 SQUEEGEE LIFT HANDLE (RED)	1
8	237240	TTB 1840 LIFT SPACER	1
9	237241	TTB 1840 SCREW END	2
10	219602	No6 X 1 INCH LONG POZI PAN PLASTITE SCREW (Z/PL)	1
11	219667	No6 X 1/2" LONG PLASTITE SCREW	1
12	237532	UPPER LIFT BLOCK	1
13	219568	No8.3/4 INCH LG. POZI-PAN. SCREW. STAINLESS STEEL. PLASTITE	2
14	902949	TERMINATED SOLENOID CABLE. BLACK. 125.0M5.2.24	1
15	303962	SOLENOID TUBE (230MM)	1
16	206796	BARBED CONNECTOR	1
17	908213	SOLENOID PLATE (TT/TTB1840)	1
18	900986	NYLON GROMMET NUT (PLASTIC INSERT TO SUIT No 8 PLASTITE SCREW)	4
19	219569	No8 X 1/2 INCH LONG POZI PAN STAINLESS STEEL PLASTITE SCREW	4
20	911704	TTB 1840 36V HANDLE MOUNTING BRACKET	1
21	208465	TTB 1840 HANDLE SPACER	1
22	219560	M6 FORM B STAINLESS STEEL WASHER	6
23	291103	M6 X 16 COACH BOLT S/S	6
24	911975	CINDERSON VAC HOUSING - ASSEMBLY	1
25	911864	TTB1840 36V VAC MOTOR BRACKET ZIPL	1
26	208461	30MM GEARBOX SPACER	1
27	208460	29MM GEARBOX SPACER	1
28	208459	28MM GEARBOX SPACER	1
29	291021	M6 X 90MM LONG STAINLESS STEEL HEXAGONAL HEAD BOLT	3
30	219870	M6 FORM A WASHER STAINLESS STEEL	3
31	208447	TTB 1840 DRIVE SHAFT	1
32	291079	6MM X 30MM STAINLESS STEEL ROLL PIN	1
33	230048	26MM EXTERNAL CIRCLIP	1
34	904758	CHUCK (TO SUIT FLUID CHANNEL)	1
35	903639	FLUID CHANNEL	1
36	219633	M5 STAINLESS STEEL NYLON INSERT NUT	1
37	219706	M5 X 45MM LONG STAINLESS STEEL HEXAGONAL BOLT	1
38	911475	36V DC BRUSH DRIVEMOTOR/GEARBOX ASSEMBLY (18.67:1 RATIO) CW TE SUPERSEAL 2 WAY CONNECTOR	1
39	911737	M6 FULL HEX FLAT HEAD OPEN RIVETNUT (NHSF-M650)	2
40	911643	LOOM ASSEMBLY 6CRT	1
41	220007	BLACK CABLE TIE	4
42	911965	170MM LONG X 5MM WIDE BLACK PUSH FIT CABLE TIE (213253000)	2
43	220844	WHITE CABLE TIE	1
44	913335	P2004.15-15 M5 MALE TO MALE ANTIVIBRATION MOUNT	3
45	291084	M5 SHAKEPROOF WASHER STAINLESS STEEL	6
46	219721	M5 STAINLESS STEEL FULL NUT	6
47	219355	M5 FORM A STAINLESS STEEL WASHER	6
48	914430	1840 WHEEL ASSEMBLY	2

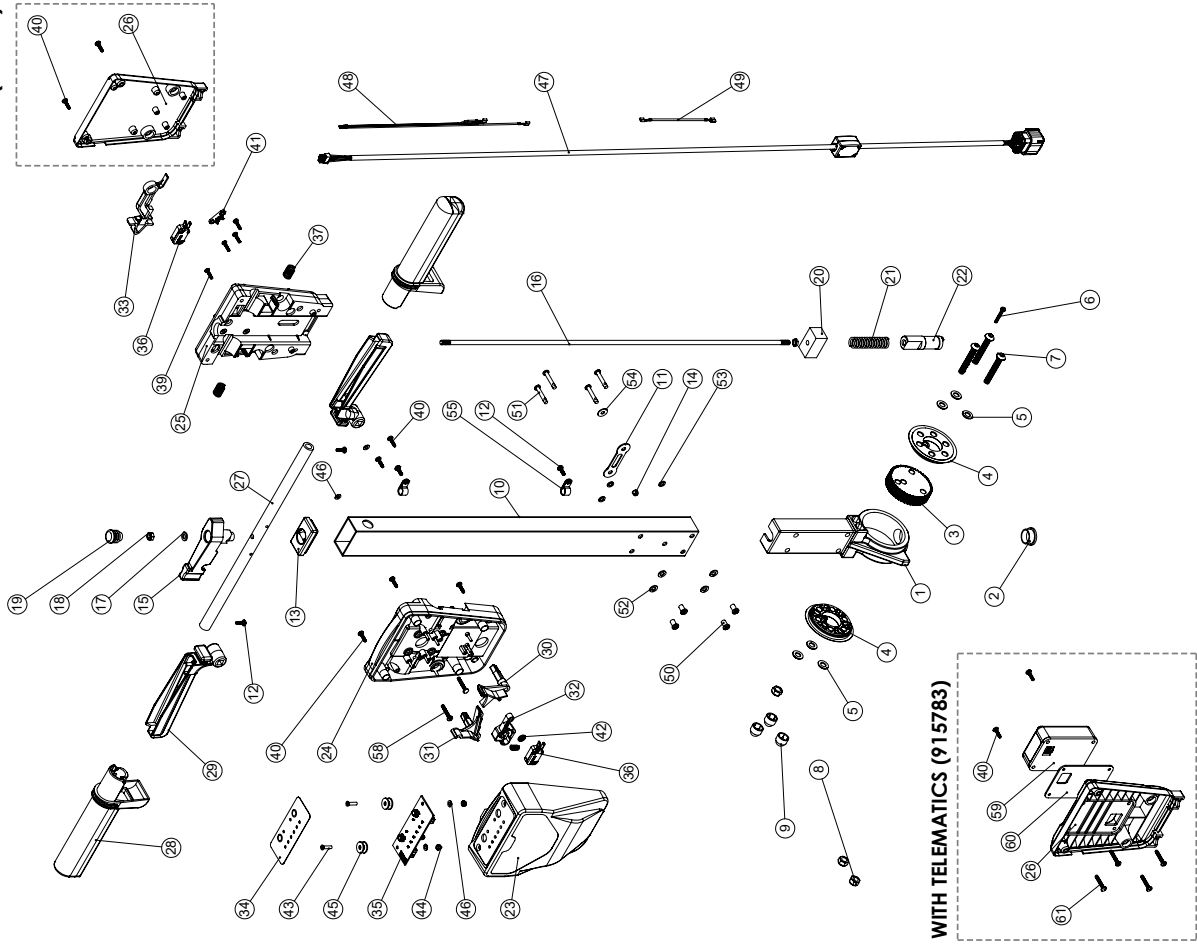
**Numatic International Spare Parts**

**Model No:** TT1840 36V HANDLE ASSEMBLY - EXPLODED

NB: FOR WIRING SEE DRAWING: DRW-32476 (911781)

911565, 915783  
DRAWING: DRW-32358 ISS:A11  
10/01/2023

**WITHOUT TELEMATICS  
(911565)**



**Numatic International Spare Parts**

**Model No:** TT1840 36V HANDLE ASSEMBLY - EXPLODED

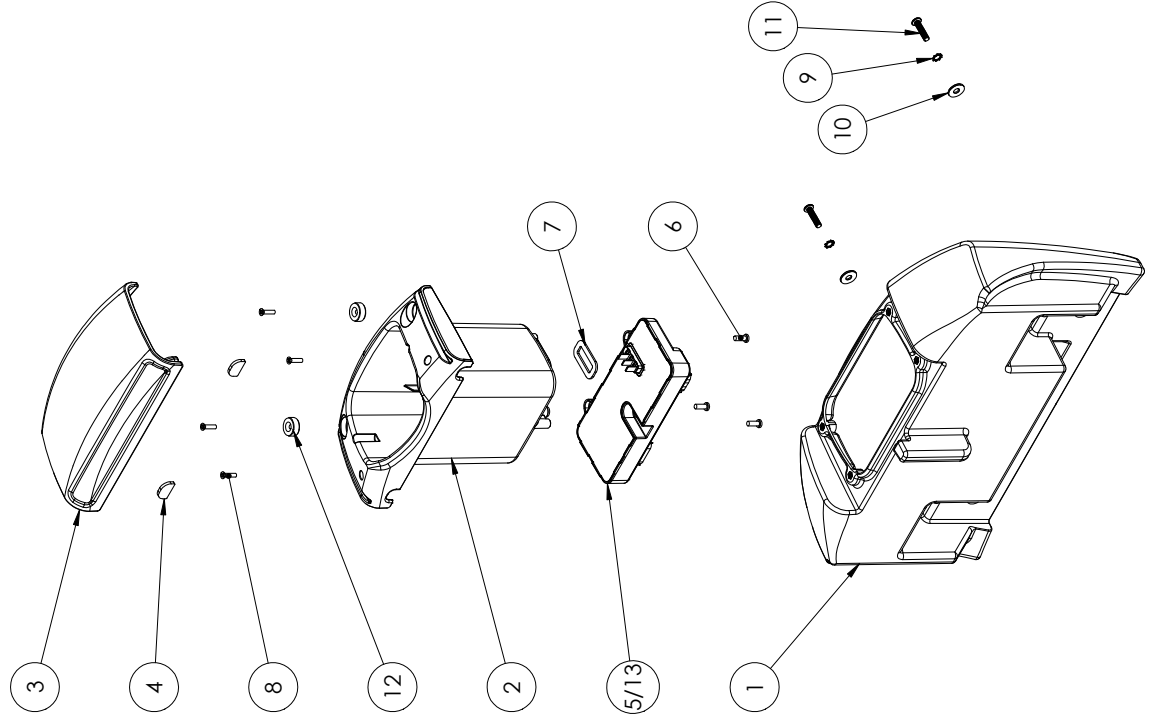
ITEM NO.	PART NUMBER	DESCRIPTION	COMMENTS:	QTY
1	900398	HANDLE CASTING MACHINED (HNS VERSION)		1
2	229099	25MM DIA HOLE PLUG		1
3	900397	MINI ADJUSTMENT GEAR		1
4	900396	ADJUSTMENT GEAR SPACER		2
5	219578	M8 FORM A STAINLESS STEEL WASHER		6
6	291150	NO6 X 1 INCH LONG POZI PAN SCREW S/S		1
7	219922	M8 X 50MM LONG SOCKET BUTTON HEAD STAINLESS STEEL BOLT		3
8	219639	M8 STAINLESS STEEL NYLON INSERT NUT		3
9	903260	M8 BOLT AND NUT CAP		3
10	330027	TT1840 HANDLE TUBE (600MM) PROCESSED PAINTED SILVER		1
11	229139	CABLE CLAMP		1
12	219270	NO8 X 1/2 INCH LONG POZI PAN SELF TAP SCREW		4
13	903546	HANDLE PLUG MOLDING (RED)		1
14	229009	BLANKING PLUG		1
15	903545	ADJUSTMENT LEVER MOLDING (RED)		1
16	215029	610MM HANDLE LOCKING ROD		1
17	219493	M6 NYLON WASHER		1
18	219642	M6 STAINLESS STEEL NYLON INSERT HALF NUT		1
19	229638V	19MM BLACK TUBE END STOP		1
20	229030	ANTI VIBRATION PAD		1
21	229138	SPRING 15.85MM OD 76.5MM FREE LENGTH		1
22	229073	GEAR LOCKING PIN		1
23	911562	TT1840 36V FRONT COVER MOLDING		1
24	227576	TALC FILLED FRONT INNER HALF MOLDING		1
25	227577	REAR INNER HALF MOLDING (GRAPHITE TALC FILLED)		1
26	227579	REAR COVER MOLDING		1
27	912496	TT1840 HANDLE REAR COVER - TELEMATICS	911565 ONLY 915783 ONLY	1
28	338269	GROSS TUBE		1
29	903547	HAND GRIP MOLDING		2
30	227595	TRIGGER MOLDING (RED)		2
31	227586	LEFT HAND SWITCH OPERATING LEVER MOLDING		1
32	227587	RIGHT HAND SWITCH OPERATING LEVER MOLDING		1
33	227584	CENTRE SWITCH OPERATING LEVER MOLDING		1
34	911348	INTERLOCK LEVER MOLDING		1
35	911543	TT1840 36V CONTROL PANEL OVERLAY		1
36	229463	ASSEMBLY 1840 DISPLAY		1
37	219803	SNAP ACTION SWITCH		2
38	227666	TRIGGER COMPRESSION SPRING		2
39	227666	BLANKING PLUG		1
40	219107	NO6.5/8 INCH LG POZI PAN SCREW Z1PL PLASTITE		4
41	219370	NO8 X 5/8 INCH LONG PLASTITE STAINLESS STEEL SCREW		8
42	229669	LOLINE HANDLE CABLE CLAMP		1
43	219805	4MM SPIREX		1
44	219407	M4 X 16MM LONG POZI PAN COUNTERSUNK SCREW		2
45	219887	M4 STAINLESS STEEL NYLON INSERT NUT		2
46	219497	M5 NYLON WASHER		4
47	219688	M4 FORM A STAINLESS STEEL WASHER		4
48	911746	LOOM ASSEMBLY CRT		1
49	911754	LOOM ASSEMBLY 3CRT		1
50	321627	LINK WIRE BLACK 120.0M/75 FASTON PIGGYBACK		1
51	911793	M5 X 10MM BUTTON HEAD ST 6 LOBE PIN BARREL NUT (T29)		4
52	911795	M5 X 30 A2 ST/ST 6 LOBE PIN BARREL BOLT WITH NYLON PATCH (T25)		4
53	219355	M6 FORM A WASHER STAINLESS STEEL		4
54	219355	M5 FORM A STAINLESS STEEL WASHER		3
55	219644	M5 FORM G STAINLESS STEEL WASHER		1
56	219644	P CLIP		2
57	219639	M6 HALF NUT		1
58	219604	SWITCH COMPRESSION SPRING		1
59	219811	NO8 X 1 INCH LONG POZI PAN SELF TAP SCREW		2
60	911544	TELEMATICS MODULE ASSEMBLY - ANTHRACITE GREY	915783 ONLY	1
61	912151	ADHESIVE PAD - TELEMATICS	915783 ONLY	1
62	219569	NO8 X 1/2 INCH LONG POZI PAN STAINLESS STEEL TAP TITE SCREW	915783 ONLY	1

**Numatic International Spare Parts**

**Model No.:** BATTERY MODULE - EXPLODED ASSEMBLY

NB: FOR WIRING SEE DRAWING: DRW-32476 (911781)

911736,919266  
DRAWING: DRW-32183 ISS:A05  
02/05/2024



**Numatic International Spare Parts**

**Model No.:** BATTERY MODULE - EXPLODED ASSEMBLY

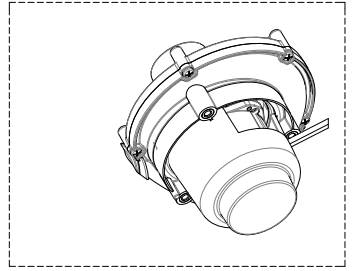
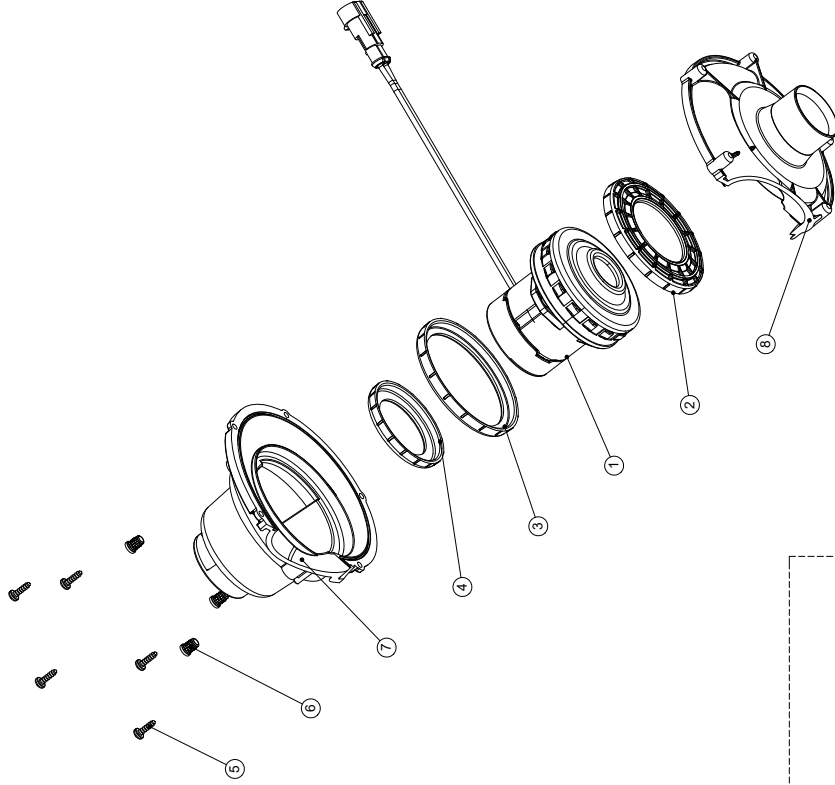
ITEM NO.	PART NUMBER	DESCRIPTION	DEFAULT/ (911736) QTY.	XR(919266) QTY.	COMMENTS:
1	N/A	BATTERY MODULE - ROTOMOULDING - POST PROCESSED	1	1	
2	911559	BATTERY MODULE - BATTERY HOUSING	1	1	
3	911751	BATTERY MODULE - LID	1	1	
4	911755	BATTERY MODULE - PLASTIC INSERT	2	2	
5	911193	ASSEMBLY: 1840 CONTROL	1	-	
6	291152	NO8. 1/2 INCH LG. T20.SCREW.ZIPL.PLASTITE	3	3	TORQUE TO 2.6Nm ± 0.15Nm
7	905074	GASKET-MODULE-ELECTRONICS	1	1	
8	219407	M4 X 16MM LONG POZI PAN COUNTERSUNK SCREW	4	4	
9	902353	M6 EXTERNAL SHAKEPROOF WASHER STAINLESS STEEL	2	2	
10	219647	M6 FORM G STAINLESS STEEL WASHER	2	2	
11	911775	M6 X 25MM SOCKET BUTTON HEAD BOLT S/S NYLOCK PATCH	2	2	
12	912351	M4 SPACER	2	2	
13	917793	ASSEMBLY: 1840 CONTROL XR	-	1	

**Numatic International Spare Parts**

**Model No:** CINDERSON VAC HOUSING - EXPLODED ASSEMBLY

911975, 915486  
DRAWING: DRW-32197 ISS:A09  
15/06/2022

NB: FOR WIRING SEE DRAWING: DRW-32476 (911781)



**Numatic International Spare Parts**

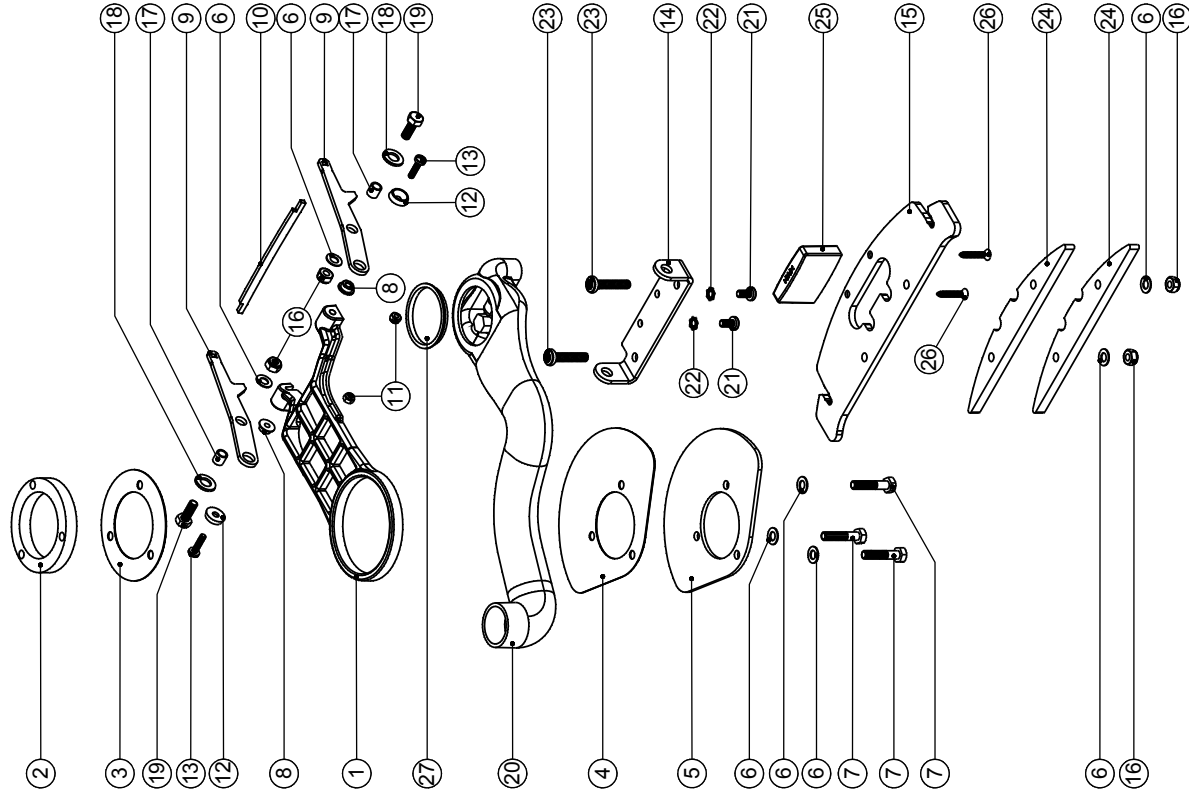
**Model No:** CINDERSON VAC HOUSING - EXPLODED ASSEMBLY

ITEM NO.	PART NUMBER	DESCRIPTION	QTY	COMMENTS:
1	911741	CINDERSON B74-LS4015010K-021 100W VAC MOTOR CIW TE SUPERSEAL 2 WAY CONNECTOR	1	911975
2	915308	CINDERSON B74-LS4015020K-113 200W VAC MOTOR	1	915486
3	911555	CINDERSON VAC HOUSING - BOTTOM GASKET	1	
4	911556	CINDERSON VAC HOUSING - MID GASKET	1	
5	911557	CINDERSON VAC HOUSING - TOP GASKET	1	
6	219852	N06 X 1/2 LONG POZI PAN STAINLESS STEEL SELF TAP SCREW	5	
7	219109	M5 BRASS INSERT	3	
8	911553	CINDERSON VAC HOUSING - TOP	1	
	911554	CINDERSON VAC HOUSING - BOTTOM	1	

**Numatic International Spare Parts**

Model No: SWING ARM ASSEMBLY EXPLODED DRAWING

234839.330042  
DRAWING: DRW-10739 ISS:A09  
05/07/2019



**Numatic International Spare Parts**

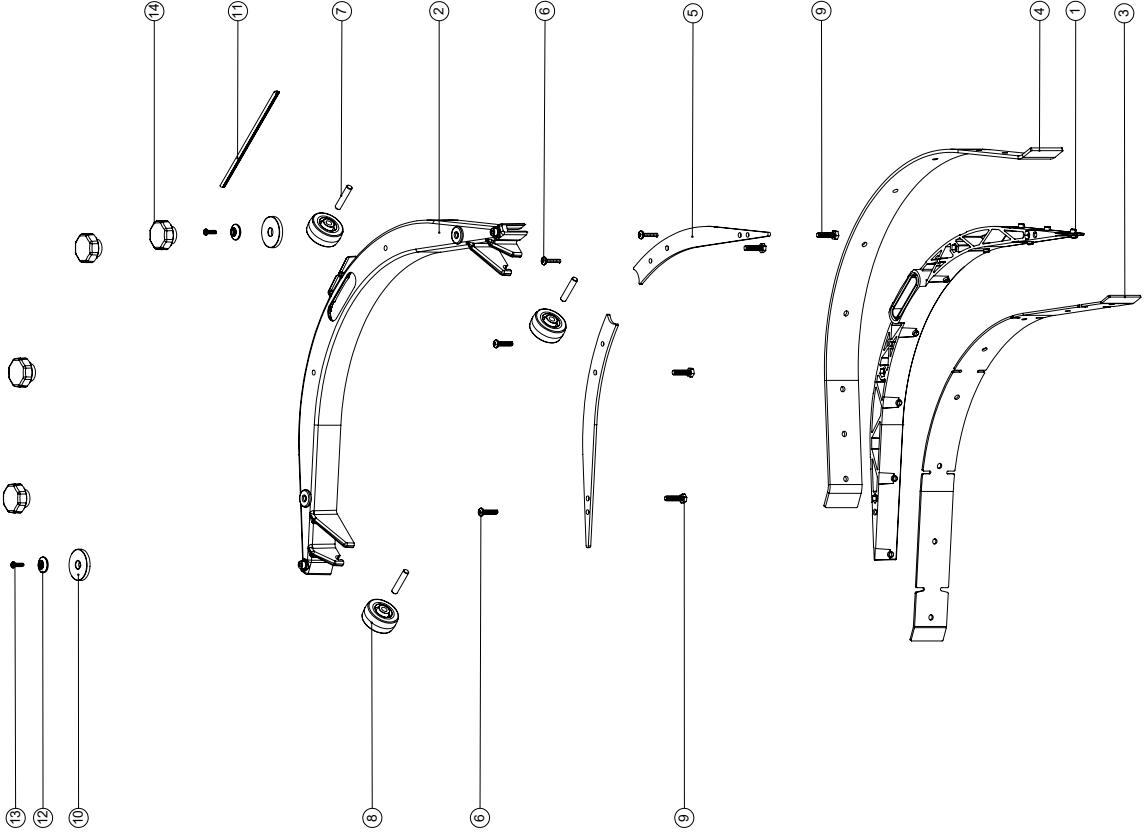
Model No: SWING ARM ASSEMBLY EXPLODED DRAWING

ITEM NO.	PART No.	DESCRIPTION	QTY.
1	429133	TTB 1840 SWING ARM PAINTED	1
2	208449	TTB 1840 SWING ARM CENTRE PIVOT	1
3	208491	TTB 1840 NYLON DISC	1
4	208482	TTB 1840 SWING ARM NYLON PLATE	1
5	429126	TTB 1840 SWING ARM BOTTOM PLATE	1
6	219560	M6 FORM B STAINLESS STEEL WASHER	7
7	291022	M6 X 30MM LONG STAINLESS STEEL HEXAGONAL HEAD BOLT	3
8	237265	PIVOT BUSH	2
9	392120	TT/TTTB 1840 SQUEEGEE PIVOT ARM	2
10	392124	TTB 1840 SQUEEGEE LIFT PLATE	1
11	219687	M4 STAINLESS STEEL NYLON INSERT NUT	2
12	219573	SCREW INSULATOR	2
13	219862	M4 X 16MM LONG POZI PAN STAINLESS STEEL SCREW	2
14	392119	PIPE CONNECTING BRACKET	1
15	429129	TTB 1840 SQUEEGEE SKID PLATE	1
16	219642	M6 STAINLESS STEEL NYLON INSERT NUT	4
17	208475	8MM SPACER	2
18	219578	M8 FORM A STAINLESS STEEL WASHER	2
19	219719	M6 X 16MM LONG HEXAGONAL STAINLESS STEEL HEAD BOLT	2
20	903535	FLUID PIPE PROCESSED (GRAPHITE) (SALES USE 902531)	1
21	219668	M5 X 10MM LONG POZI PAN STAINLESS STEEL SCREW	2
22	291020	M5 STAINLESS STEEL EXTERNAL SHAKEPROOF LOCK WASHER	2
23	219984	M6 X 30MM LG POZI-PAN STAINLESS STEEL MACHINE SCREW	2
24	429131	TTB 1840 ADDITIONAL WEIGHT	2
25	237531	LOWER LIFT BLOCK	1
26	291086	No.8 X 1 A2 S/ST PZ COUNTER SUNK. SELF TAP TYPE AB	2
27	901880	PROTECTION PLUG DIA 43MM	1



577761  
DRAWING: DRW-7011 ISS:A16  
27/11/2019

**Numatic International Spare Parts**  
**Model No:** TTB 1840 SQUEEGEE EXPLODED DRAWING ASSEMBLY



**Numatic International Spare Parts**  
**Model No:** TTB 1840 SQUEEGEE EXPLODED DRAWING ASSEMBLY

POS.	ITEM NO.	DESCRIPTION	QTY.
1	237235	TTB 1840 SQUEEGEE INNER MOULDING	1
2	237236	TTB 1840 SQUEEGEE OUTER MOULDING	1
3	903288	TTB 1840 SQUEEGEE FRONT BLADE	1
4	903291	TTB 1840 SQUEEGEE REAR BLADE	1
5	429130	TTB 1840 SQUEEGEE SIDE PLATE Z/PL	2
6	219568	NO8.3/4 INCH LG.POZI-PAN.SCREW.STAINLESS STEEL.PLASTITE	4
7	208610	TTB 1840 SQUEEGEE AXLE	3
8	208454	TTB 1840 SQUEEGEE WHEEL	3
9	291029	M5.20MM LG.HEX.SCREW S/S	4
10	237266	BUFFER WHEEL	2
11	N/A	SQUEEGEE SEAL EXTRUSION	1
12	208603	NYLON FINISHING WASHER (BLACK)	2
13	291053	3.5 X 12MM POZI PAN PLASTITE SCREW S/S	2
14	208455	TTB 1840 SQUEEGEE KNOB	4



### **Numatic International Limited (Head Office)**

Chard, Somerset TA20 2GB, UNITED KINGDOM

Tel: 01460 68600 numatic.com

### **Numatic International GmbH**

Fränkische Straße 15-19, 30455 Hannover, DEUTSCHLAND

Tel: +49 (0) 511 984 2160 numatic.de

### **Numatic International Denmark**

Fränkische Straße 15-19, 30455 Hannover, DEUTSCHLAND

Tel: +45 (0) 316 40808 numatic-online.dk

### **Numatic International S.A.S**

13/17 rue du Valengelier, EAE la Tuilerie, 77500 Chelles, FRANCE

Tel: +33 (0) 164 726 161 numatic.fr

### **Numatic International BV**

Vennootsweg 15, 2404 CG, Alphen aan den Rijn, NEDERLAND

Tel: +31 (0) 172 467 999 numatic.nl

### **Numatic International Schweiz AG.**

Sihlbruggstrasse 3A, 6340 Baar, SCHWEIZ

Tel: +41 (0) 41 768 0760 numatic.ch

### **Numatic International (PTY) Ltd.**

Cnr. 16th & Pharmaceutical Road, Randjes Park, Midrand 1685, SOUTH AFRICA

Tel: +27 (0) 861 686 284 numatic.co.za

### **Numatic International ULDA**

Rua Francisco da Silva Duarte, nº79,

4475-269 Santa Maria de Avioso, Castelo da Maia, PORTUGAL

Tel: +351 220 047 700 numatic.pt

### **Numatic International Spain, S.L.U.**

Av. Baix Llobregat, 5-7, Oficina bajos 1 (Parc Negocis Mas Blau II)

08820 El Prat de Llobregat (Barcelona), SPAIN

Tel: +34 93 647 22 22 numatic.es

### **Numatic International Italy S.R.L**

Via Luigi Galvani, 2, Z.I. Talponedo, 33080 Porcia (PN), ITALY

Tel: +39 (0) 434 046 211 numatic.it