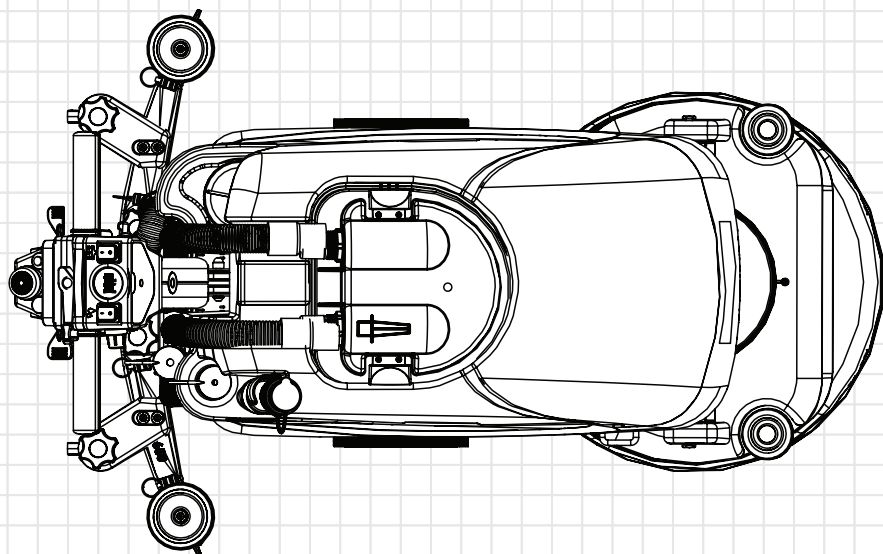
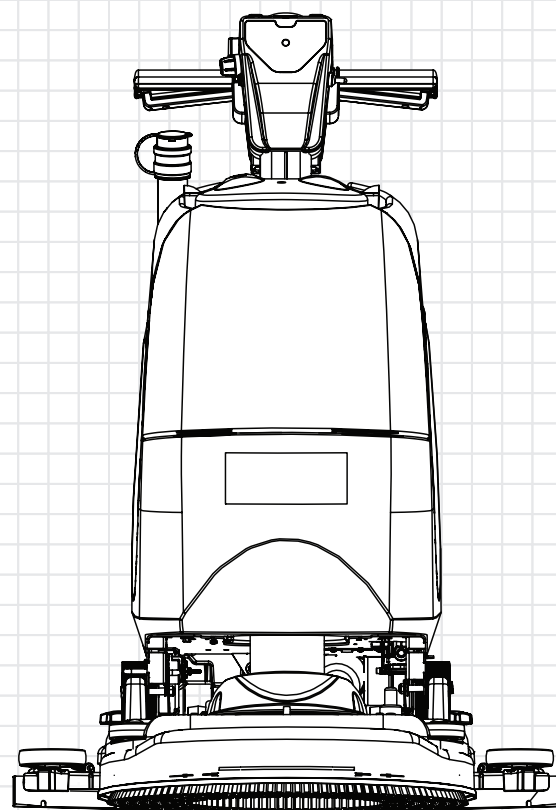
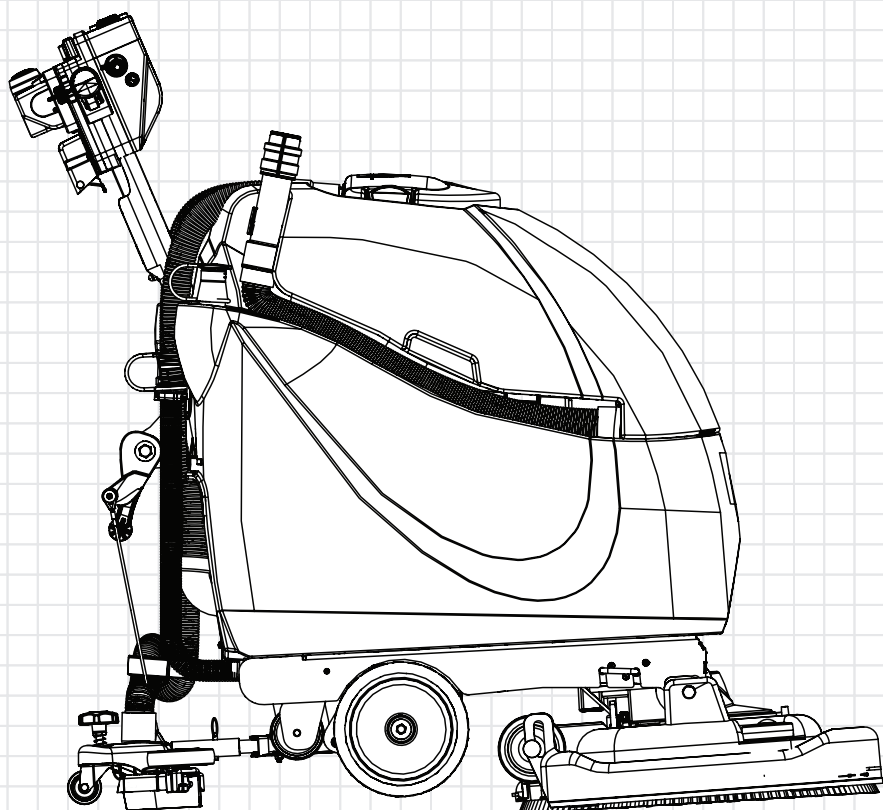


TBL4055T



Service Engineer Exploded Drawings



DISCLAIMER:

These drawings are for part order reference only and intended for service engineers use.

The installation of Genuine Numatic spare parts should only be executed by Certified Numatic service engineers who specialised and familiar with all relevant safety regulations.

Numatic International Ltd do not accept responsibility or liability for any loss or damage to property or person if repairs or servicing of products are carried out by non-certified persons.

Specifications and parts are subject to change without notice.

HAFTUNGSAUSSCHLUSS:**DE**

Diese Zeichnungen dienen nur als Referenz für Teilebestellungen und sind nur für den Gebrauch durch Servicetechniker bestimmt.

Die Montage von originalen Numatic-Ersatzteilen darf nur von zertifizierten Numatic-Servicetechnikern ausgeführt werden, die mit allen relevanten Sicherheitsvorschriften vertraut sind.

Numatic International Ltd übernimmt keine Verantwortung oder Haftung für Verluste oder Schäden an Eigentum oder Personen, wenn Reparaturen oder Wartungsarbeiten an Produkten von nicht zertifizierten Personen durchgeführt werden.

Technische Daten und Teile können ohne vorherige Ankündigung geändert werden.

CLAUDE DE NON-RESPONSABILITÉ:**FR**

Ces schémas sont fournis à titre de référence de commande de pièces uniquement et sont destinés aux techniciens de maintenance.

L'installation de pièces de rechange Numatic d'origine doit être effectuée uniquement par des techniciens de maintenance Numatic certifiés spécialisés et familiarisés avec toutes les règles de sécurité applicables.

Numatic International Ltd décline toute responsabilité en cas de perte ou de dommage matériel ou personnel si des réparations ou l'entretien des produits sont effectués par des personnes non certifiées.

Les spécifications et les pièces sont susceptibles d'être modifiées sans préavis.

DISCLAIMER:**NL**

Deze tekeningen zijn uitsluitend bedoeld als referentie voor het bestellen van onderdelen en voor gebruik door servicemonteurs.

De installatie van originele reserveonderdelen van Numatic mag alleen worden uitgevoerd door gecertificeerde servicemonteurs van Numatic die gespecialiseerd zijn en bekend zijn met alle relevante veiligheidsvoorschriften.

Numatic International Ltd aanvaardt geen verantwoordelijkheid of aansprakelijkheid voor verlies of schade aan eigendommen of personen als reparaties of onderhoud aan producten worden uitgevoerd door niet-gecertificeerde personen.

Specificaties en onderdelen kunnen zonder voorafgaande kennisgeving worden gewijzigd.

RENÚNCIA DE RESPONSABILIDADE:**PT**

Estes desenhos servem apenas como referência para a encomenda de peças e destinam-se a ser utilizados pelos técnicos de assistência.

A instalação de peças sobresselentes genuínas da Numatic só deve ser efetuada por técnicos de assistência certificados da Numatic que se especializem e familiarizem com todos os regulamentos de segurança relevantes.

A Numatic International Ltd não aceita qualquer responsabilidade por perdas ou danos materiais ou pessoais se as reparações ou a manutenção dos produtos forem efetuadas por pessoas não certificadas.

As especificações e as peças estão sujeitas a alterações sem aviso prévio.

ESCLUSIONE DI RESPONSABILITÀ:**IT**

Questi disegni sono forniti solo come riferimento per l'ordine dei componenti e sono destinati all'uso da parte dei tecnici dell'assistenza.

L'installazione di ricambi originali Numatic deve essere eseguita esclusivamente da tecnici dell'assistenza certificati Numatic specializzati e a conoscenza di tutte le norme di sicurezza pertinenti.

Numatic International Ltd non si assume alcuna responsabilità per eventuali perdite o danni alla proprietà o alle persone se le riparazioni o la manutenzione dei prodotti vengono eseguite da persone non certificate.

Le specifiche e le parti sono soggette a modifiche senza preavviso.

EXENCIÓN DE RESPONSABILIDAD:**ES**

Estos esquemas solo se muestran como referencia para pedir piezas y para su uso por parte de ingenieros de mantenimiento.

La instalación de recambios originales de Numatic solo deben realizarla los ingenieros de mantenimiento homologados de Numatic que estén especializados y familiarizados con las normativas de seguridad pertinentes.

Numatic International Ltd no acepta la responsabilidad de cualquier pérdida o daño a la propiedad o a las personas si las reparaciones o el mantenimiento de los productos se llevan a cabo por personas sin certificación.

Las especificaciones y piezas están sujetas a cambios sin previo aviso.

ZASTRZEŻENIE:**PL**

Rysunki te służą wyłącznie do celów referencyjnych podczas zamawiania części i są przeznaczone do użytku przez inżynierów serwisowych.

Montaż oryginalnych części zamiennych Numatic powinien być wykonywany wyłącznie przez certyfikowanych serwisantów firmy Numatic, którzy posiadają odpowiednie kwalifikacje i znają wszystkie odpowiednie przepisy bezpieczeństwa.

Firma Numatic International Ltd nie ponosi odpowiedzialności za jakiegokolwiek straty lub szkody majątkowe i osobiste, jeśli naprawy lub serwisowanie produktów są przeprowadzane przez osoby nieposiadające certyfikatu.

Dane techniczne i części mogą zostać zmienione bez powiadomienia.

FRISKRIVNINGSKLAUSUL:**SV**

Dessa ritningar är endast avsedda för referens vid beställning av reservdelar och är avsedda för servicetekniker.

Installation av originalreservdelar från Numatic får endast utföras av certifierade Numatic-servicetekniker som specialiserar sig på och känner till alla relevanta säkerhetsföreskrifter.

Numatic International Ltd påtar sig inget ansvar för förlust eller skada på egendom eller person om reparationer eller service av produkter utförs av icke-certifierade personer.

Specifikationerna och produktens delar kan ändras utan föregående meddelande.

VASTUUVAPAUCLAUSEKE:**FI**

Nämä piirrokset on tarkoitettu ainoastaan osien tilaamisen avuksi ja ainoastaan huoltoinsinöörien käyttöön.

Aitoja Numatic-varaosia saavat asentaa vain sertifioidut Numatic-huoltoinsinöörit, jotka ovat perehtyneet kaikkiin asiaankuuluviin turvamääräyksiin.

Numatic International Ltd ei ole vastuussa mistään omaisuus- tai henkilövahingoista, jos sertifioidut henkilöt ovat korjanneet tai huoltaneet tuotteita.

Teknisiä ominaisuuksia ja osia voidaan muuttaa ilman erillistä ilmoitusta.

ANSVARFRASKRIVELSE:**DA**

Disse tegninger er kun til reference for reservedelsordrer og er beregnet til serviceteknikere.

Montering af originale Numatic-reservedele må kun udføres af certificerede Numatic-serviceteknikere, der er specialiseret i og har kendskab til alle relevante sikkerhedsbestemmelser.

Numatic International Ltd påtager sig intet ansvar for tab eller skade på ejendom eller person, hvis reparationer eller service på produkter foretages af ikke-certificerede personer.

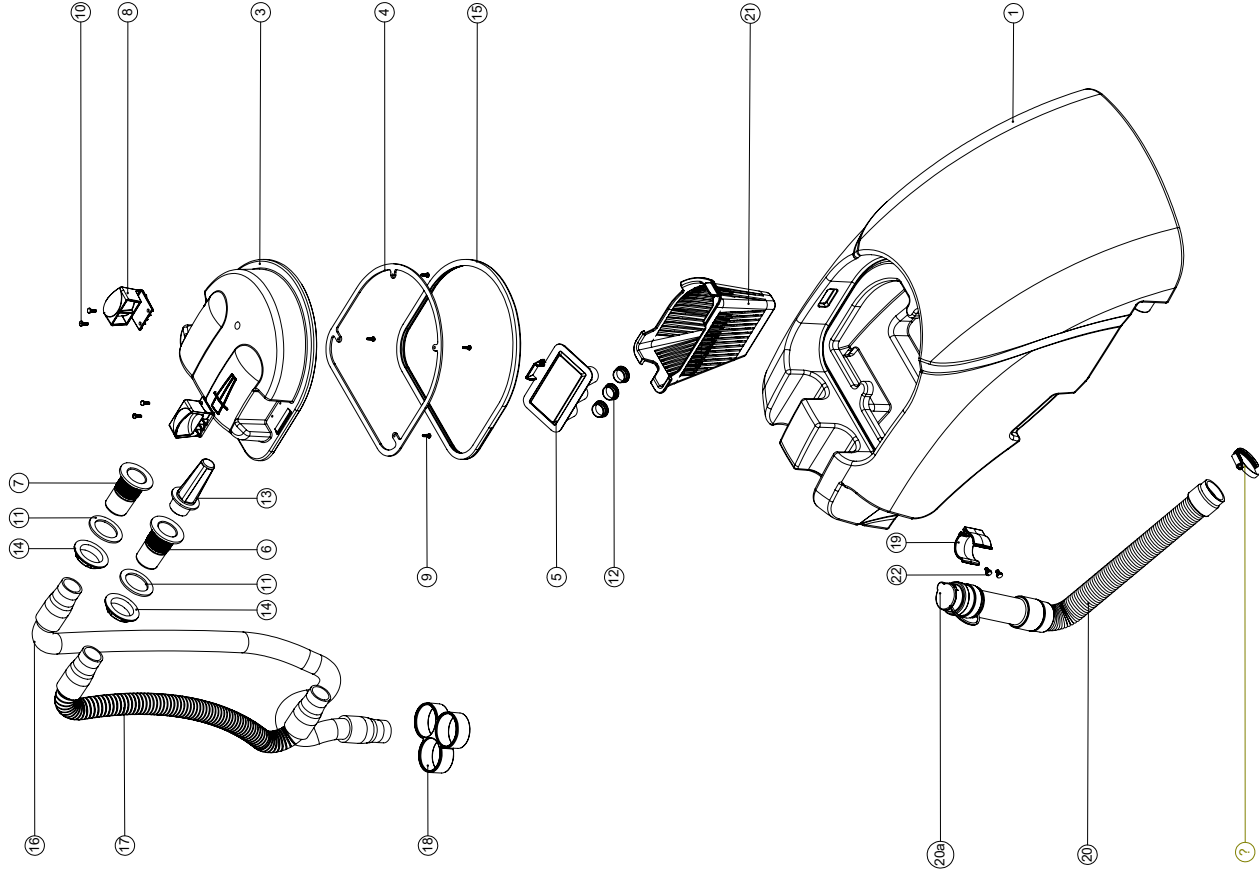
Specifikationer og dele kan ændres uden varsel.

Numatic International Spare Parts

Model No: TGB4045/4055 EXPLODED VIEW: TOP TANK

NB: FOR WIRING SEE DRAWING: N/A

908096
DRAWING: DRW-22926 ISS: A10
07/09/2021



Numatic International Spare Parts

Model No: TGB4045/4055 EXPLODED VIEW: TOP TANK

ITEM:	PART No:	DESCRIPTION	COMMENTS:	QTY
1	N/A	TTB-4055 TOP TANK MOULDING (GRAPHITE GREY)		1
2	219919	32MM-50MM STAINLESS STEEL HOSE CLIP		1
3	237381	INTEGRATED CHASSIS SEPARATOR		1
4	392200	FILTER GASKET RING		1
5	237090	SEPARATOR FLOAT MOULDING (MK 2)		1
6	237526	38MM RED DRAIN HOSE CONNECTOR		1
7	237018	38MM DRAIN HOSE CONNECTOR		1
8	902919	CLIP MOULDING (RED)		2
9	219852	N06 X 1/2 LONG POZI PAN STAINLESS STEEL SELF TAP SCREW		4
10	219569	N08 X 1/2 INCH LONG POZI PAN STAINLESS STEEL PLASTITTE SCREW		4
11	219310	RUBBER WASHER		2
12	206315	TUBE END PLUG		3
13	206265	TT/B 3/4S BARREL FILTER		1
14	206116	BLACK NUT		2
15	208591	NEW SEPARATOR GASKET		1
16	N/A	35MM X 690MM LONG 3:1 STRETCH HOSE (SHORT & LONG CUFF)		1
17	N/A	VAC HOSE 650MM X Ø38MM		1
18	237718	HOSE GUIDE		1
19	237382	ACETAL HOSE CLIP MOULDING		1
20	N/A	35MM X 250MM STRETCH HOSE (3:1) CW ADJUSTABLE CUFF + CAP		1
20a	900903	HOSE CLOSURE REPLACEMENT KIT (35MM-38MM STRETCH HOSE)	SPARE ITEM	1
21	906070	MESHLESS FILTER BASKET		1
22	291135	M5 X 10MM LONG STAINLESS STEEL POZI PAN SEMS SCREW		2

Numatic International Spare Parts

Model No: TBL-4055T BOTTOM TANK ASSEMBLY

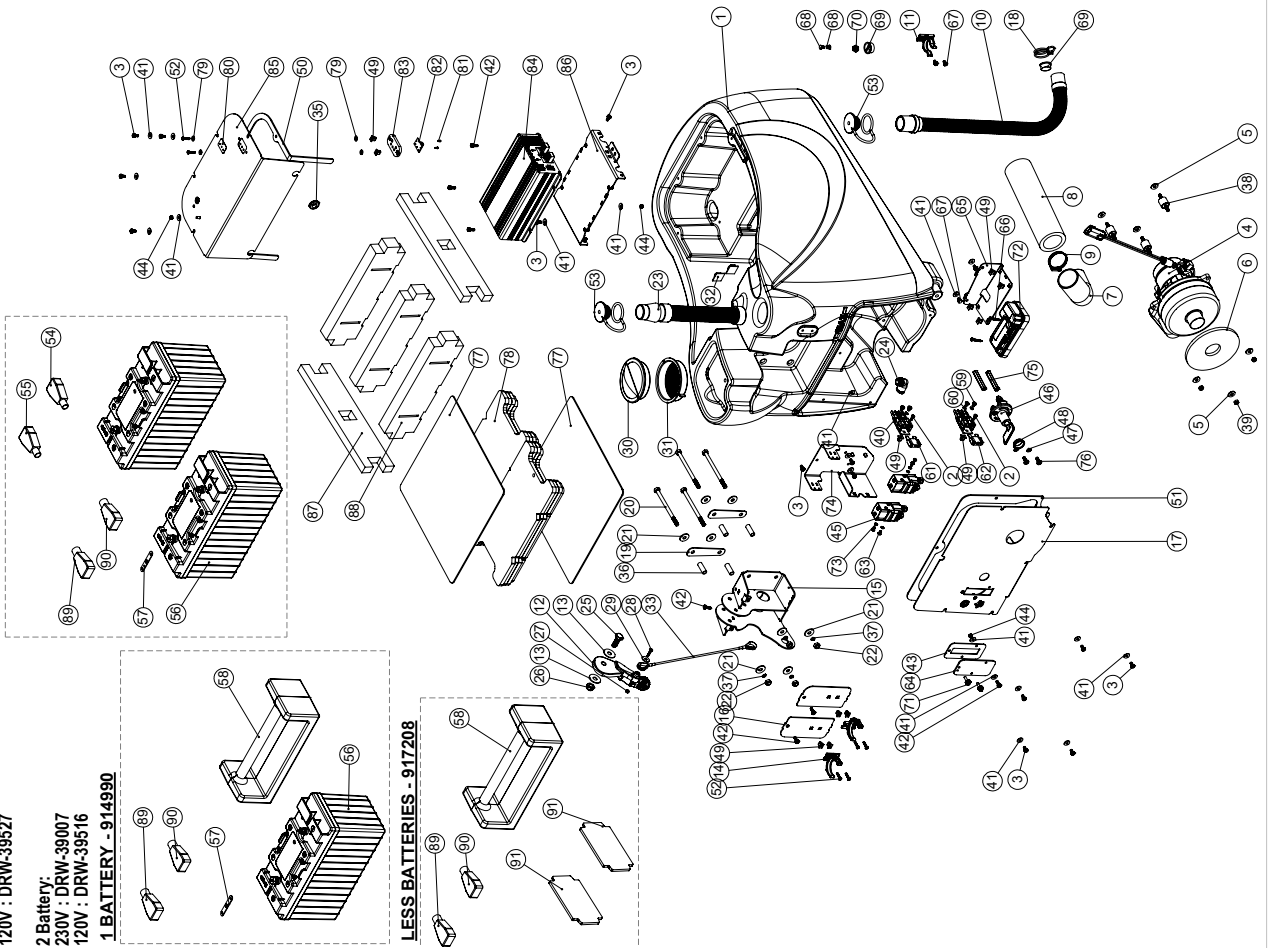
NB: FOR WIRING SEE DRAWING:

1 Battery:
230V : DRW-39526
120V : DRW-39527

2 Battery:
230V : DRW-39007
120V : DRW-39516

1 BATTERY - 914990

2 BATTERY - 914984



914984, 914990, 917208
DRAWING: DRW-38625 ISS:A10
05/08/2024

Numatic International Spare Parts

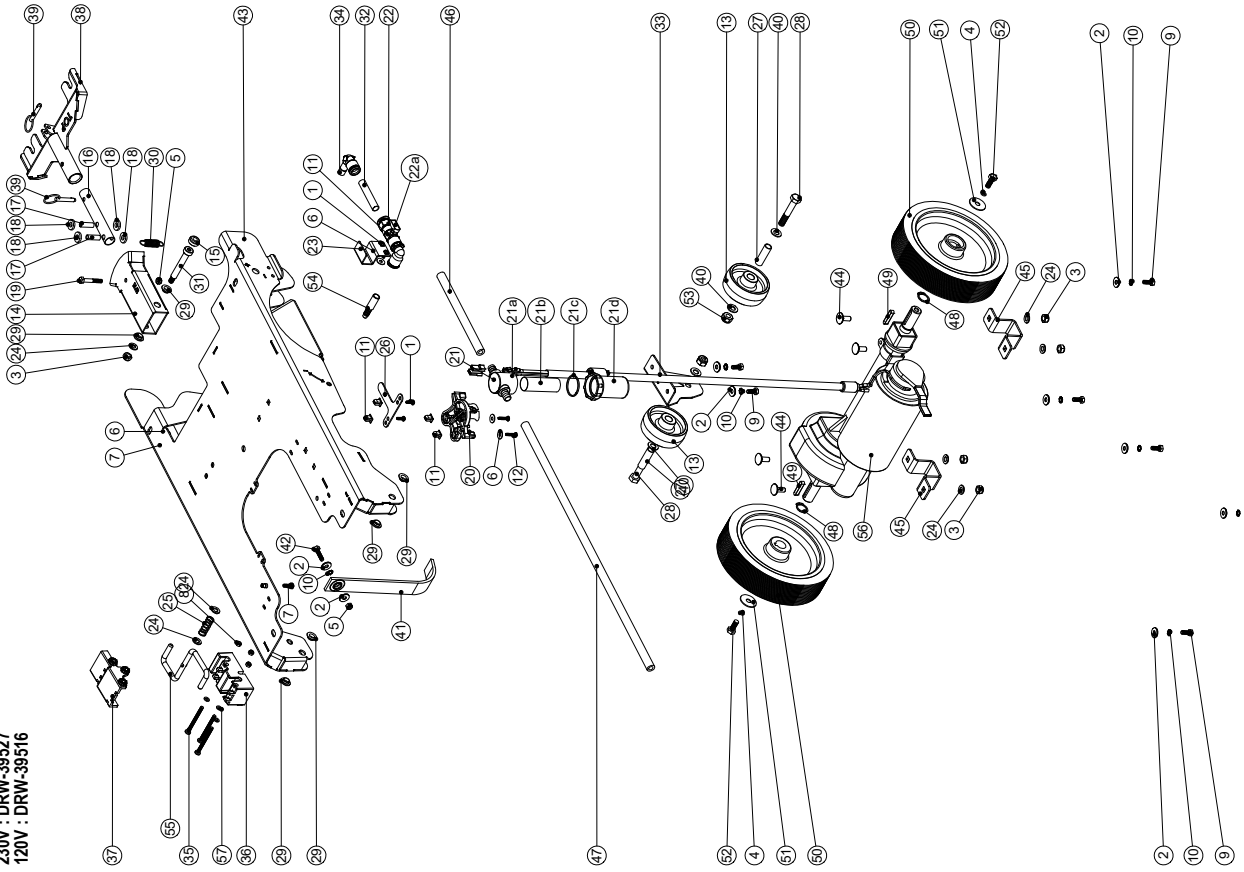
Model No: TBL-4055T BOTTOM TANK ASSEMBLY

ITEM	PART No	DESCRIPTION	QTY.	COMMENTS:
1	915225	TBL405555 BOTTOM TANK MOUNTING (GRAPHITE)	1	MODELS WITH LOGO
2	909625	TGB104555 BOTTOM TANK MOUNTING (GRAPHITE) FP	1	MODELS WITHOUT LOGO
3	29131	M8 X 1/2 INCH LONG POZI PAN STAINLESS STEEL PLASTITE SCREW	15	
4	219642	M5 X 12MM LONG STAINLESS STEEL POZI PAN SEMS SCREW	15	
5	219642	M5 X 12MM LONG STAINLESS STEEL POZI PAN SEMS SCREW	15	
6	219642	M8 FORM G STAINLESS STEEL WASHER	15	
7	208477	MOTOR PAD	1	
8	208571	DIP MOULDED ELBOW	1	
9	208306	SILENCER FOAM TUBE	1	
10	219529	STAINLESS STEEL HOSE CLAMP (45MM - 60MM)	1	
11	13026	PUMP HOSE	1	
12	902324	RED SOURCE GEE LIFT HANDLE	1	
13	914266	M10 X 30 X 1.5 A4 S17 FENDER WASHER	2	
14	237754	35-38MM HOSE CLIP	2	
15	903612	TGB 3045 HANDLE MOUNT WELD ASSEMBLY ZIPPL	2	
16	903612	TGB 3045 HANDLE MOUNT WELD ASSEMBLY ZIPPL	2	
17	903612	TGB 3045 HANDLE MOUNT WELD ASSEMBLY ZIPPL	2	
18	903612	TGB 3045 HANDLE MOUNT WELD ASSEMBLY ZIPPL	2	
19	902449	SPRING WIRE CLAMP (VDNAC-Y1010355)	2	
20	291126	M8 X 20 LONG HEX BOLT STAINLESS STEEL	2	
21	219716	M8 FORM G STAINLESS STEEL WASHER	8	
22	219698	M8 STAINLESS STEEL NUT	4	
23	219698	M8 STAINLESS STEEL NUT	4	
24	901539	ELBOW ANGLE CONNECTOR 3/8 PARALLEL THREAD CW O-RING TO 12MM PUSH IN	1	
25	915176	M10 X 30MM STAINLESS STEEL HEX SCREW	1	
26	219697	M4 STAINLESS STEEL NYLON INSERT NUT	1	
27	219697	M4 STAINLESS STEEL NYLON INSERT NUT	1	
28	219697	M4 STAINLESS STEEL NYLON INSERT NUT	1	
29	219697	M4 STAINLESS STEEL NYLON INSERT NUT	1	
30	903544	FILLER CAP LID (RED)	1	
31	903543	CLEAN TANK INLET FILTER (RED)	2	
32	220403	CABLE CLIP	2	
33	208961	T18 LIFTING WIRE	1	
34	219726	CRANK	3	
35	219726	CRANK	3	
36	305046	30MM PVC HOSE ID 8.0MM X 11.0MM	4	
37	219898	M5 SINGLE COIL STAINLESS STEEL WASHER	3	
38	902006	M5 MOUNT MALE TO MALE M6 X 18 (BODY Ø20X20 - REF P2004.02L-020)	4	
39	219642	M6 STAINLESS STEEL NYLON INSERT HALF NUT	3	
40	219642	M6 STAINLESS STEEL NYLON INSERT HALF NUT	3	
41	219642	M6 STAINLESS STEEL NYLON INSERT HALF NUT	3	
42	291132	M5 X 10MM LONG STAINLESS STEEL POZI PAN SEMS SCREW	20	
43	903601	FUSE PLATE GASKET	8	
44	219633	M5 STAINLESS STEEL NYLON INSERT NUT	1	
45	903736	24V ALBRIGHT CONTACTOR (SU80-2009)	3	
46	902331	MATERIAL SHAKEN PROOF WASHER STAINLESS STEEL	2	
47	902331	OF PVC GROMMET (26MM X 22MM X 2MM)	2	
48	902331	OF PVC GROMMET (26MM X 22MM X 2MM)	2	
49	900986	NYLON GROMMET NUT (PLASTIC INSERT TO SUIT No 8 PLASTITE SCREW)	12	
50	909284	CHARGER COVER GASKET (2)	1	
51	909284	CHARGER COVER GASKET (2)	1	
52	219658	M08.3/4 INCH LONG POZI PAN SCREW STAINLESS STEEL PLASTITE	6	
53	303541	1.2MM HOSE CAP (RED LOW 8MM HOLE)	2	
54	906148	BLACK BATTERY TERMINAL COVER (415N8F14)	1	
55	906147	RED BATTERY TERMINAL COVER (415N8F02)	1	
56	911948	NX1K BATTERY [LFP]	2	
57	N/A	CANBUS HI-LO CONNECTOR PCB	1	
58	919040	LITHIUM 1KW BATTERY WEIGHT CAST	1	
59	219864	M5 X 8MM LONG POZI PAN SCREW ZIPL	4	
60	219864	M5 SINGLE COIL STAINLESS STEEL WASHER	4	
61	230104	30 AMP MAXI FUSE	4	
62	221091	20 AMP MAXI FUSE	4	
63	219637	M4 X 8MM LONG POZI PAN STAINLESS STEEL SCREW	4	
64	903602	FUSE COVER PLATE	4	
65	219826	M08 X 1.14 INCH LONG POZI DRIVE COUNTERSINK HEAD SCREW	2	
66	219826	M08 X 1.14 INCH LONG POZI DRIVE COUNTERSINK HEAD SCREW	2	
67	291135	M5 X 10MM LONG STAINLESS STEEL POZI PAN SEMS SCREW	4	
68	904403	BARBED RIVET BLACK	4	
69	904108	FLAT STOP MOULDING	2	
70	904109	FLAT STOP MOULDING	2	
71	904109	FLAT STOP MOULDING	2	
72	907768	NYLON WURLED THUMB SCREW NYLON (WHITE)	1	
73	291145	PROGRAMMED 70A MOTOR CONTROLLER (40651)	4	
74	909471	M4 SHAKEN PROOF WASHER STAINLESS STEEL	4	
75	909839	FUSE AND CONTACTORS BRACKET PAINTED SILVER	2	
76	915016	60MM HEXAGONAL SPACER (M6 FEMALE TO FEMALE)	2	
77	915016	60MM HEXAGONAL SPACER (M6 FEMALE TO FEMALE)	2	
78	915210	M6 X 10MM LONG POZI PAN STAINLESS STEEL SCREW	2	
79	915210	TANK WEIGHT	2	
80	219462	RUBBER WASHER REF NO. 0380810	4	
81	208978	CHARGER LIGHTS OVERLAY	2	
82	905565	M2 X 6MM LONG POZI PAN SCREW ST/ST	2	
83	908012	CHARGER LED POST SPACER	2	
84	914042	CHARGER 24V LFP	2	
85	915098	CHARGER COVER PLATE M5 PAINTED SILVER	1	
86	914230	600W CHARGER PLATE CW INSERT M5 PAINTED SILVER	1	
87	16840555	SLOTTED BATTERY TRAY MK2 - SIDE WALL (20mm)	2	
88	915016	60MM HEXAGONAL SPACER (M6 FEMALE TO FEMALE)	3	
89	915219	RED BATTERY TERMINAL COVER (415N0214) (Ø19.05MM DIA)	1	
90	915219	BLACK BATTERY TERMINAL COVER (415N014) (Ø19.05MM DIA)	1	
91	916202	Single Battery Foam Spacer	2	

Numatic International Spare Parts
Model No: TBL4055T EXPLODED VIEW: CHASSIS

915787
 DRAWING: DRW-39931 ISS:A02
 14/1/2022

NB: FOR WIRING SEE DRAWING:
 230V : DRW-39527
 120V : DRW-39516



Numatic International Spare Parts
Model No: TBL4055T EXPLODED VIEW: CHASSIS

ITEM:	PART No:	DESCRIPTION	COMMENTS:	QTY.
1	219669	M8 X 1/2 INCH LONG POZI PAN STAINLESS STEEL PLASTITITE SCREW		4
2	219647	M6 FORM G STAINLESS STEEL WASHER		9
3	219639	M8 STAINLESS STEEL NYLON INSERT NUT		5
4	219898	M8 SINGLE COIL STAINLESS STEEL WASHER		2
5	219642	M6 STAINLESS STEEL NYLON INSERT NUT		5
6	219644	M5 FORM G STAINLESS STEEL WASHER		5
7	291132	M5 X 16MM LONG STAINLESS STEEL POZI PAN SEMS SCREW		2
8	219633	M6 STAINLESS STEEL NYLON INSERT NUT		3
9	219719	M6 X 16MM LONG HEXAGONAL STAINLESS STEEL HEAD BOLT		7
10	902353	M6 EXTERNAL SHAKEPROOF WASHER STAINLESS STEEL		8
11	900986	NYLON GROMMET NUT (PLASTIC INSERT TO SUIT No 8 PLASTITE SCREW)		6
12	219668	M8.3/4 INCH LG. POZI-PAN SCREW STAINLESS STEEL PLASTITITE		2
13	206713	80MM DIAMETER WHITE WHEEL		2
14	304359	TT/TTB4045/4055 SQUEEGEE MOUNT WELD ASSEMBLY		1
15	237632	SHOULDER BOLT COVER		1
16	304356	FLOOR TOOL PIVOT TUBE		1
17	206954	SPIRO SPACER		2
18	206964	SLIDE NYLON SPACER		4
19	291125	M6 X 40 LONG HEX BOLT STAINLESS STEEL		1
20	901006	FILTER MOUNTING BRACKET		1
21	208888	EXTENDED STRAINER		1
21a	208827	STRAINER BLACK TOP	SPARE PART	1
21b	208889	EXTENDED STRAINER 50 MESH SCREEN	SPARE PART	1
21c	208830	STRAINER GASKET	SPARE PART	1
22	901541	12MM SWIVEL ELBOW PUSH FIT TO 12MM PUSH FIT BALL VALVE ASSEMBLY		1
22a	901544	TAP HANDLE C/W COVER AND M3X6MM SCREW (SPARE ITEM)		1
23	392314	10MM TAP BRACKET		1
24	219578	M8 FORM A STAINLESS STEEL WASHER		7
25	208578	DECK LOCK SPRING		1
26	321902	SILENCER CLAMP		1
27	391440	1/2 INCH X 18G X 41MM LONG STAINLESS STEEL SPACER TUBE		2
28	219894	M10 X 60MM LONG HEXAGONAL STAINLESS STEEL BOLT		2
29	208312	IGUS BEARING (GFM 101205)		6
30	208619	FLOOR TOOL SPRING		1
31	208574	M8 X 10 X 60MM LONG HEX SOCKET SHOULDER BOLT		1
32	901553	NYLON TUBE 12MM OD X 10MM ID (65MM)		1
33	903611	TGB TRANSPORT WHEEL BRACKET WELD ASSEMBLY PAINT SILVER		1
34	901545	ELBOW ANGLE CONNECTOR 12MM PUSH IN TO 12MM STEM		1
35	901558	M5 X 60MM STAINLESS STEEL POZI PAN MACHINE SCREW		3
36	901280	LATCH BLOCK BOTTOM MOULDING		1
37	901279	LATCH BLOCK TOP MOULDING		1
38	304466	FLOOR TOOL BRACKET ASSEMBLY (TT/TTB4045/4055)		1
39	206953	DETENT PINS		2
40	219803	M10 FORM A STAINLESS STEEL WASHER		4
41	903683	ANTI-STATIC STRAP (CUT TO LENGHT: 270MM LONG)		1
42	219825	M6 X 25MM LONG STAINLESS STEEL HEX SCREW		1
43	904155	TGB4055T TRACTION CHASSIS WELD ASSY PAINTED SILVER		1
44	291104	M8 X 20 COACH BOLT S/S		4
45	904156	TGB TRANSAXLE MOUNTING BRACKET		2
46	330230	SILICON TUBE 8MM I/D X 3.2MM WALL SECTION (CUT 400MM)		1
47	391216	SILICON TUBE 600MM LONG X 8MM I/D X 3.2MM WALL SECTION		1
48	219889	19MM HEAVY DUTY CIRCLIP		2
49	206744	6MM X 6MM X 32MM FEATHER KEY		2
50	204115	200MM X 50MM TRACTION WHEEL - GREY PU TREAD COMBED PROFILE		2
51	219877	M8 X 30 STAINLESS STEEL WASHER		2
52	219717	M8 X 20MM LONG HEXAGONAL STAINLESS STEEL BOLT		2
53	219897	M10 STAINLESS STEEL NYLON INSERT NUT		2
54	901534	PUSH IN BARBED CONNECTOR - 12MM OD 8MM ID		1
55	904440	DECK LATCH BAR		1
56	915870	ASI TRANSAXLE C/W SHORTNED 640MM WIRES C/W FERRITE		1
57	219355	M5 FORM A STAINLESS STEEL WASHER		3

Numatic International Spare Parts

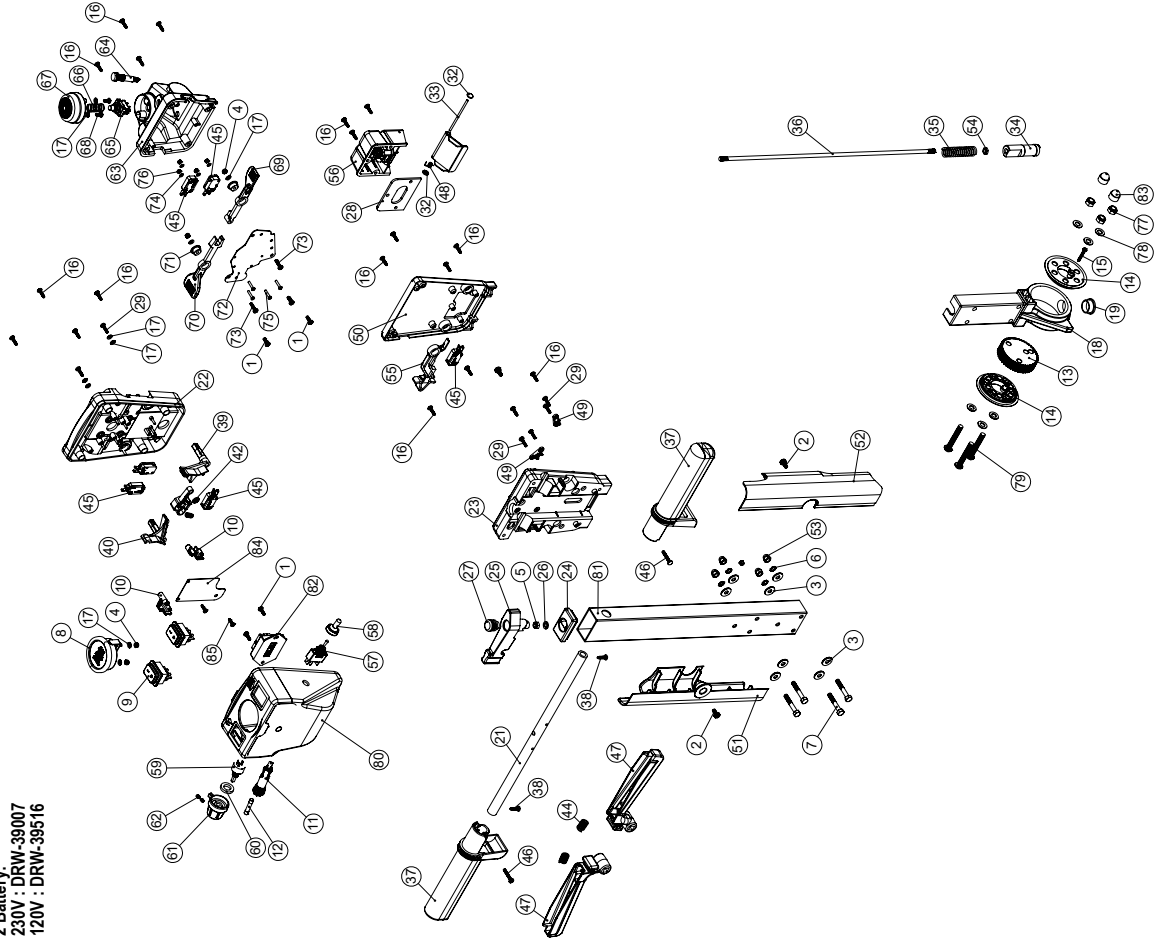
Model No: TBL4055T HANDLE ASSEMBLY

NB: FOR WIRING SEE DRAWING:

1 Battery:
230V : DRW-39526
120V : DRW-39527

2 Battery:
230V : DRW-39007
120V : DRW-39516

914985
DRAWING: DRW-38624 ISS:A05
01/02/2023



Numatic International Spare Parts

Model No: TBL4055T HANDLE ASSEMBLY

ITEM	PART No	DESCRIPTION	COMMENTS:	QTY.
1	219569	N06 X 1/2 INCH LONG POZI PAN STAINLESS STEEL PLASTITE SCREW		1
2	291131	M5 X 12MM LONG STAINLESS STEEL POZI PAN SEMS SCREW		3
3	219647	M6 FORM G STAINLESS STEEL WASHER		8
4	219687	M4 STAINLESS STEEL NYLON INSERT NUT		4
5	219642	M6 STAINLESS STEEL NYLON INSERT HALF NUT		4
6	202453	M6 EXTERNAL WASHERS STAINLESS STEEL		4
7	281123	NORD (L) BATTERY HOUR METER 24V (MODEL: 1428; 306 01 BDI NE 306 CAN		1
8	914748	NUMATIC)	INCLUDES O-RING	1
9	902235	SWITCH DPST RED ILLUMINATED WITH MEMBRANE 24V		2
10	903558	TGB HANDLE BOSS		2
11	903032	BULGIN PANEL MOUNT FUSEHOLDER		1
12	900369	M3 X 6mm GREEN GEAR		1
13	900369	M3 X 6mm GREEN GEAR		1
14	900396	ADJUSTMENT GEAR SPACER		2
15	291150	N06 X 1 INCH LONG POZI PAN SCREW SIS		19
16	219370	N06 X 5/8 INCH LONG PLASTITE STAINLESS STEEL SCREW		10
17	219688	M4 FORM A STAINLESS STEEL WASHER		1
18	900398	HANDLE CASTING MACHINED (HNS VERSION)		1
19	229099	25MM DIA HOLE PLUG		1
20	219659	CROSS NUT		1
21	538059	FLAME RETARDANT		1
22	227576	TALC FILLED FRONT INNER HALF MouldING		1
23	229508	FLAME RETARDANT FRONT INNER HALF MouldING		1
24	229509	FLAME RETARDANT REAR INNER HALF MouldING		1
25	903546	HANDLE PLUG MouldING (RED)		1
26	903545	ADJUSTMENT LEVER MouldING (RED)		1
27	219483	M6 NYLON WASHER AND STOP		1
28	202105	SOCKET COVER SEALING GASKET		1
29	219814	N06 X 5/8 INCH LONG POZI PAN PLASTITE STAINLESS STEEL SCREW		5
30	219107	N06 X 5/8 INCH LG POZI PAN SCREW ZIPL PLASTITE		2
31	227781	FLAP MouldING		2
32	219832	3MM DIAMETER STAR LOCK		2
33	390979	72MM LONG X 3MM DIAMETER STAINLESS STEEL BAR		1
34	229773	GEAR LOCKING PIN 76.5MM FREE LENGTH		1
35	229468	440MM HANDLE LOCKING ROD		1
36	227580	HAND GRIP MouldING	FLAME RETARDANT 120V USE 237544	2
37	219036	N06 X 5/8 INCH LONG POZI PAN SELF TAPPING SCREW		1
38	227585	LEFT HAND SWITCH OPERATING LEVER MouldING		1
39	227586	RIGHT HAND SWITCH OPERATING LEVER MouldING		1
40	227587	CENTRE SWITCH OPERATING LEVER MouldING		1
41	219805	4MM SPIRE FIX		2
42	219804	TRIGGER COMPRESSION SPRING		2
43	219804	TRIGGER COMPRESSION SPRING		2
44	229483	SNAP ACTION SWITCH		6
45	219811	N06 X 1 INCH LONG POZI PAN SELF TAP SCREW		2
46	903547	TRIGGER MouldING (RED)		2
47	219819	TORSION SPRING		1
48	229669	LOLINE HANDLE CABLE CLAMP		2
49	303509	MODIFIED REAR COVER	STANDARD MACHINE	1
50	303507	PROCESSED TRACTION DRIVE REAR HANDLE COVER (FLAME RETARDANT)	FLAME RETARDANT 120V	1
51	303508	HANDLE CABLE COVER RH	FLAME RETARDANT 120V USE 904907	1
52	227582	HANDLE CABLE COVER LH	FLAME RETARDANT 120V USE 904908	1
53	219764	M6 STAINLESS STEEL DOME NUT		4
54	219099	M6 HALF NUT		1
55	227584	INTERLOCK LEVER MouldING		1
56	904030	240V EMI FILTER WITH SOCKET COVER ASSEMBLY (PROCESSED)	240V VERSION	1
57	206786	SWITCH	120V VERSION	1
58	206785	POWERSWITCH		1
59	270316	SHAFT WITH FLAT LNO SLO IN SHAFT END		1
60	229346	SPACER		1
61	903498	SPEED ADJUSTMENT KNOB C/W INSERT (RED)		1
62	219744	M4 X 6MM LONG BLACK OXIDISED GRUB SCREW		2
63	237315	TWIN TECH REAR POD MouldING (LESS SPEED CONTROL 7	STANDARD MACHINE	1
64	237316	FLAME RETARDANT REAR HANDLE REAR POD MouldING (LESS SPEED CONTROL / DIRECTIONAL SWITCH HOLES)	FLAME RETARDANT 120V	1
65	270291	GREEN LED INDICATOR 2V C/W 2.2K RESISTOR		1
66	270295	PUSH BUTTON SWITCH		1
67	219816	COMPRESSION SPRING		1
68	219833	M8 X 3/8 INCH LONG POZI PAN STAINLESS STEEL SCREW		2
69	904159	LH DIRECTION TRIGGER (RED)		1
70	904158	RH DIRECTION TRIGGER (RED)		1
71	206579	SHOULDERED SPACER		2
72	329298	DIRECTION TRIGGER MOUNTING PLATE		1
73	219862	M4 X 16MM LONG POZI PAN STAINLESS STEEL SCREW		2
74	219501	M3 FORM A STAINLESS STEEL WASHER		4
75	204165	M3 NYLON INSERT POZI PAN STAINLESS STEEL		4
76	204165	M3 NYLON INSERT POZI PAN STAINLESS STEEL		4
77	219539	M8 STAINLESS STEEL NYLON INSERT NUT		3
78	219578	M8 FORM A STAINLESS STEEL WASHER		3
79	219922	M8 X 50MM LONG SOCKET BUTTON HEAD STAINLESS STEEL BOLT		3
80	903557	TGB HANDLE FRONT COVER (TRACTION) FRPP		1
81	903603	TGB TTG 4.30MM PROCESSED AL HANDLE PAINT SILVER		1
82	907787	DHW TERMINAL BLOCK PCB ASSEMBLY (V2)		2
83	909246	SWITCH GUARD		1
84	909246	SWITCH GUARD		1
85	219318	N06 X 1/2 INCH LONG POZI PAN PLASTITE SCREW (Z/PL)		2

Numatic International Spare Parts

750 TWINTEC ALUMINIUM FLOOR TOOL
 (38MM HOSE, RED TRIM, SERILOR BLADES)

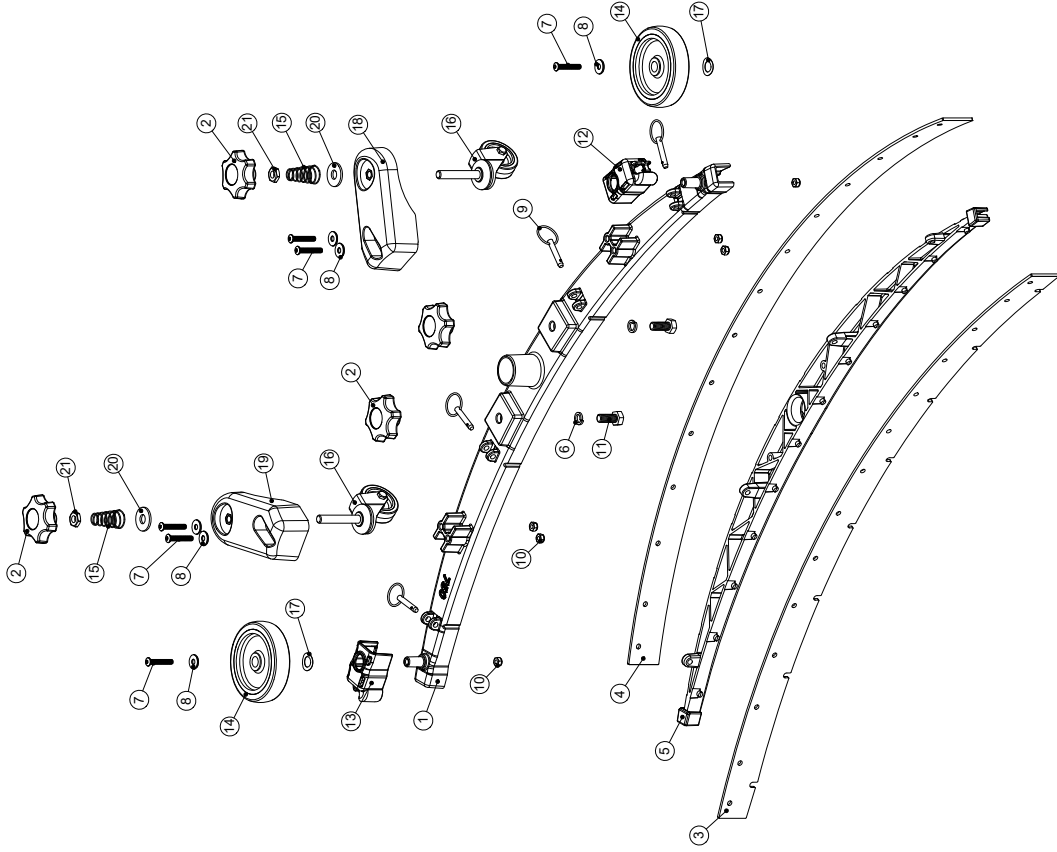
NB: FOR WIRING SEE DRAWING: WD-07??

903853

DRAWING: DRW-23157 ISS:A07
 27/03/2019

Internal Code:

PRO



Numatic International Spare Parts

Model No : 750 TWINTEC ALUMINIUM FLOOR TOOL (38MM HOSE, RED TRIM, SERILOR BLADES)

ITEM:	PART No:	DESCRIPTION	QTY.
1	208637	(750MM SCRUB WIDTH) ALUMINIUM SQUEEGEE CASTING (38MM HOSE FITTING)	1
2	903281	M10 LOBE KNOB (RED)	4
3	208988	750MM SCRUB WIDTH REPLACEMENT FRONT BLADE (968MM LONG)	1
4	208971	750MM SCRUB WIDTH REPLACEMENT REAR BLADE (1000MM LONG)	1
5	903848	(750MM SCRUB WIDTH) RED BLADE HOLDER MouldING (SLOPING PROFILE) (32MM & 38MM HOSE FITTING)	1
6	219899	M10 SINGLE COIL STAINLESS STEEL WASHER	2
7	219933	M6 X 35MM SOCKET BUTTON HEAD BOLT STAINLESS STEEL	6
8	219647	M6 FORM G STAINLESS STEEL WASHER	6
9	206953	DETENT PINS	4
10	219642	M6 STAINLESS STEEL NYLON INSERT NUT	6
11	219909	M10 X 25MM LONG HEXAGONAL STAINLESS STEEL SCREW	2
12	237322	RIGHT HAND FLOOR TOOL CLIP MouldING	1
13	237323	LEFT HAND FLOOR TOOL CLIP MouldING	1
14	208796	4 INCH WHEEL	2
15	229175	CONICAL SPRING	2
16	907759	50MM DIAMETER GREY TPR TYRED SWIVEL CASTOR C/W M10 X 60 SWAGED STEM.	2
17	219891	13MM WAVEY WASHER	2
18	906860	ADJUSTABLE FLOOR TOOL CASTOR PLASTIC PLATE LEFT	1
19	906859	ADJUSTABLE FLOOR TOOL CASTOR PLASTIC PLATE RIGHT	1
20	291124	M10 PENNY WASHER STAINLESS STEEL	2
21	219951	A4 (STAINLESS STEEL) M10 HEX LOCK NUT (HALF NUT)	2

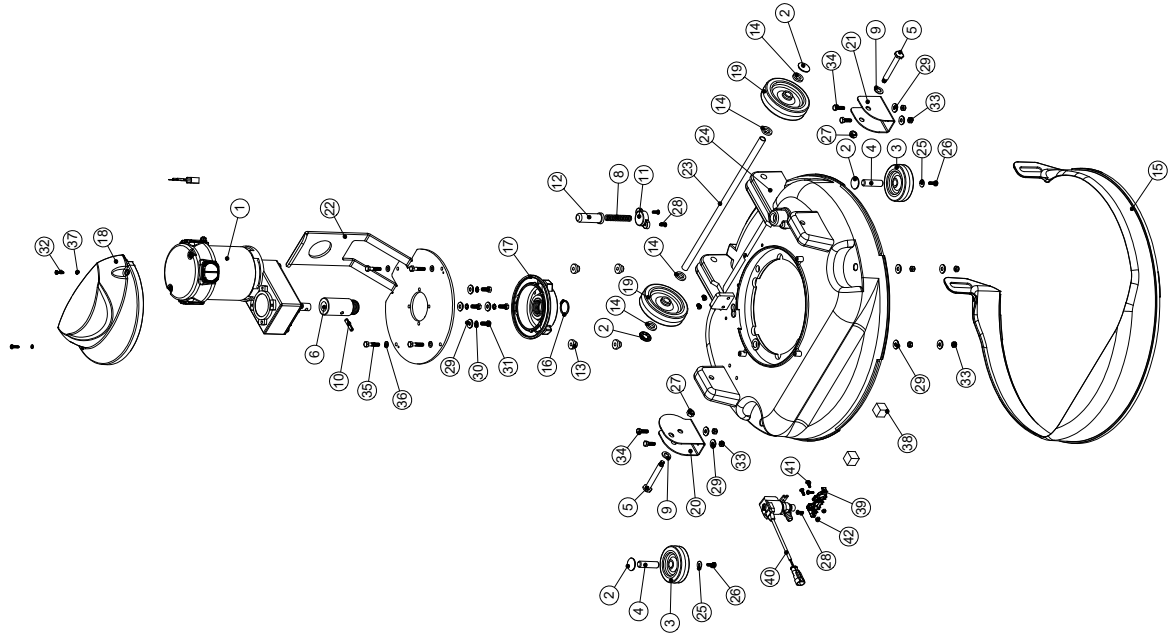
Numatic International Spare Parts

Model No: TBL4055 EXPLODED VIEW: BRUSH DECK

915627
DRAWING: DRW-39687 ISS:A01
18/07/2022

NB: FOR WIRING SEE DRAWINGS:

230V : DRW-22704
120V : DRW-23196



Numatic International Spare Parts

Model No: TBL4055 EXPLODED VIEW: BRUSH DECK

Item:	Item No:	Description:	Comments:	QTY:
1	205245	AMER 100RPM MOTOR		1
2	204021	12.7MM STAINLESS STEEL HUB CAP		4
3	204068	3 INCH GREY WHEEL		2
4	206013	BUFFER WHEEL PIN		2
5	208626	TTTTTB4055 PIVOT PIN		2
6	208727	DRIVE SHAFT		1
7	219009	M4 BRASS TAPPEX INSERT		2
8	219692	COMPRESSION SPRING		1
9	219903	M10 FORM A STAINLESS S STEEL WASHER		2
10	291079	6MM X 30MM STAINLESS STEEL ROLL PIN		1
11	223242	PLUNGER MOUNTING PLATE MOULDING		1
12	229128	PLUNGER		1
13	229285	MOTOR MOUNTING SPACER		4
14	229346	SPACER		4
15	229562	SPLASH SKIRT MOULDING		1
16	230048	26MM EXTERNAL CIRCLIP		1
17	230207	DIE CAST CHUCK MACHINED		1
18	237380	AMER MOTOR COVER		1
19	329112	100MM WHEEL		2
20	392248	DECK MOUNT BRACKET		1
21	392279	DECK MOUNT RH (650 DECK VERSION)		1
22	392362	MOTOR ADAPTOR PLATE PAINT SILVER GREY		1
23	391439	1/2 INCH DIAMETER X 18G STAINLESS STEEL TUBE (0.375)		1
24	304404	TTB4055 DECK MOULDING DRILLED (NEW DESIGN)		1
25	219644	M5 FORM G STAINLESS STEEL WASHER		2
26	291132	M5 X 16MM LONG STAINLESS STEEL POZI PAN SEMS SCREW		2
27	219639	M6 STAINLESS STEEL NYLON INSERT NUT		2
28	219569	M6 X 1/2 INCH LONG POZI PAN STAINLESS STEEL PLASTITE SCREW		4
29	219647	M6 FORM G STAINLESS STEEL WASHER		12
30	902353	M6 EXTERNAL SHAKEPROOF WASHER STAINLESS STEEL		4
31	219719	M6 X 16MM LONG HEXAGONAL STAINLESS STEEL HEAD BOLT		4
32	219662	M4 X 16MM LONG POZI PAN STAINLESS STEEL SCREW		2
33	219642	M6 STAINLESS STEEL NYLON INSERT NUT		8
34	219976	M6 X 20MM LONG HEXANGONAL HEAD SET SCREW		4
35	291022	M6 X 30MM LONG STAINLESS STEEL HEXAGONAL HEAD BOLT		4
36	219870	M6 FORM A WASHER STAINLESS STEEL		4
37	291145	M4 SHAKEPROOF WASHER STAINLESS STEEL		2
38	902352	FOAM SPACER 20MM		2
39	902556	SOLENOID MOUNT MOULDING		1
40	902949	TERMINATED SOLENOID CABLE BLACK.125.0M5.2.24		1
41	219890	M4 X 12MM LONG POZI PAN STAINLESS STEEL SCREW		2
42	219687	M4 STAINLESS STEEL NYLON INSERT NUT		2
43	915212	0.47UF 310V CAPACITOR ASSEMBLY		1



Numatic International Limited (Head Office)

Chard, Somerset TA20 2GB, UNITED KINGDOM

Tel: 01460 68600 numatic.com

Numatic International GmbH

Fränkische Straße 15-19, 30455 Hannover, DEUTSCHLAND

Tel: +49 (0) 511 984 2160 numatic.de

Numatic International Denmark

Fränkische Straße 15-19, 30455 Hannover, DEUTSCHLAND

Tel: +45 (0) 316 40808 numatic-online.dk

Numatic International S.A.S

13/17 rue du Valengelier, EAE la Tuilerie, 77500 Chelles, FRANCE

Tel: +33 (0) 164 726 161 numatic.fr

Numatic International BV

Vennootsweg 15, 2404 CG, Alphen aan den Rijn, NEDERLAND

Tel: +31 (0) 172 467 999 numatic.nl

Numatic International Schweiz AG.

Sihlbruggstrasse 3A, 6340 Baar, SCHWEIZ

Tel: +41 (0) 41 768 0760 numatic.ch

Numatic International (PTY) Ltd.

Cnr. 16th & Pharmaceutical Road, Randjes Park, Midrand 1685, SOUTH AFRICA

Tel: +27 (0) 861 686 284 numatic.co.za

Numatic International ULDA

Rua Francisco da Silva Duarte, nº79,

4475-269 Santa Maria de Avioso, Castelo da Maia, PORTUGAL

Tel: +351 220 047 700 numatic.pt

Numatic International Spain, S.L.U.

Av. Baix Llobregat, 5-7, Oficina bajos 1 (Parc Negocis Mas Blau II)

08820 El Prat de Llobregat (Barcelona), SPAIN

Tel: +34 93 647 22 22 numatic.es

Numatic International Italy S.R.L

Via Luigi Galvani, 2, Z.I. Talponedo, 33080 Porcia (PN), ITALY

Tel: +39 (0) 434 046 211 numatic.it