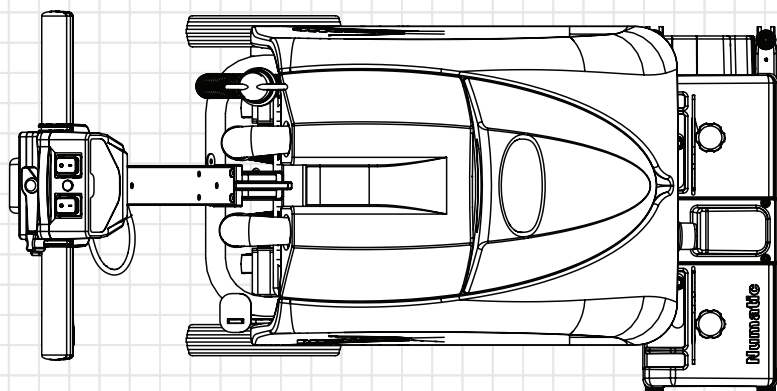
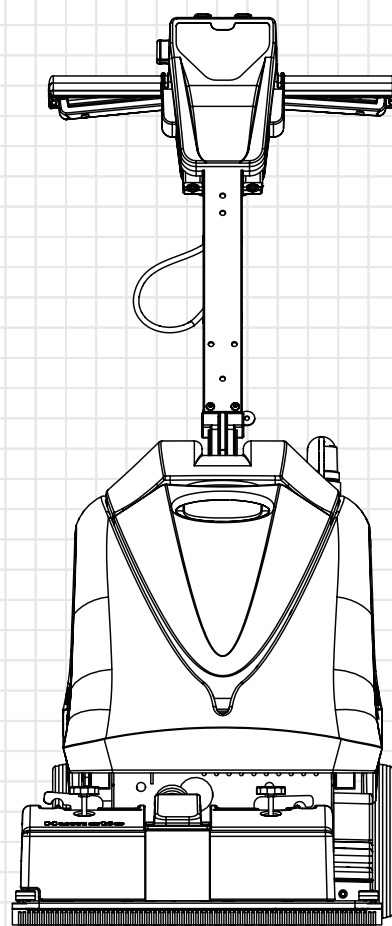
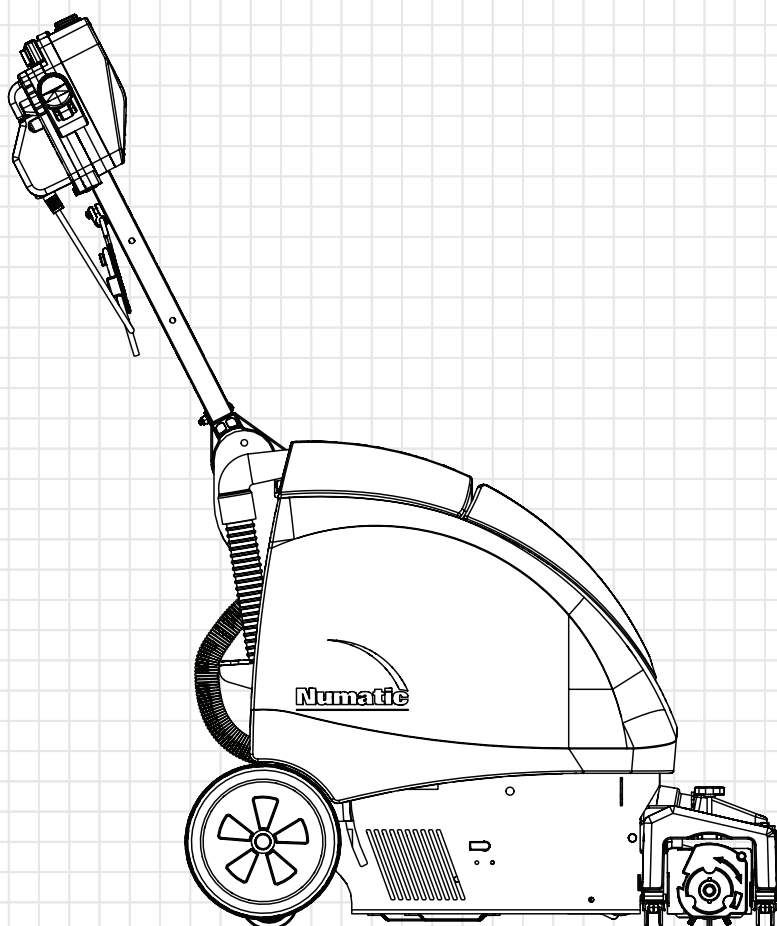


TT1535G



Service Engineer Exploded Drawings



DISCLAIMER:

These drawings are for part order reference only and intended for service engineers use.

The installation of Genuine Numatic spare parts should only be executed by Certified Numatic service engineers who specialised and familiar with all relevant safety regulations.

Numatic International Ltd do not accept responsibility or liability for any loss or damage to property or person if repairs or servicing of products are carried out by non-certified persons.

Specifications and parts are subject to change without notice.

HAFTUNGSAUSSCHLUSS:**DE**

Diese Zeichnungen dienen nur als Referenz für Teilebestellungen und sind nur für den Gebrauch durch Servicetechniker bestimmt.

Die Montage von originalen Numatic-Ersatzteilen darf nur von zertifizierten Numatic-Servicetechnikern ausgeführt werden, die mit allen relevanten Sicherheitsvorschriften vertraut sind.

Numatic International Ltd übernimmt keine Verantwortung oder Haftung für Verluste oder Schäden an Eigentum oder Personen, wenn Reparaturen oder Wartungsarbeiten an Produkten von nicht zertifizierten Personen durchgeführt werden.

Technische Daten und Teile können ohne vorherige Ankündigung geändert werden.

CLAUDE DE NON-RESPONSABILITÉ:**FR**

Ces schémas sont fournis à titre de référence de commande de pièces uniquement et sont destinés aux techniciens de maintenance.

L'installation de pièces de rechange Numatic d'origine doit être effectuée uniquement par des techniciens de maintenance Numatic certifiés spécialisés et familiarisés avec toutes les règles de sécurité applicables.

Numatic International Ltd décline toute responsabilité en cas de perte ou de dommage matériel ou personnel si des réparations ou l'entretien des produits sont effectués par des personnes non certifiées.

Les spécifications et les pièces sont susceptibles d'être modifiées sans préavis.

DISCLAIMER:**NL**

Deze tekeningen zijn uitsluitend bedoeld als referentie voor het bestellen van onderdelen en voor gebruik door servicemonteurs.

De installatie van originele reserveonderdelen van Numatic mag alleen worden uitgevoerd door gecertificeerde servicemonteurs van Numatic die gespecialiseerd zijn en bekend zijn met alle relevante veiligheidsvoorschriften.

Numatic International Ltd aanvaardt geen verantwoordelijkheid of aansprakelijkheid voor verlies of schade aan eigendommen of personen als reparaties of onderhoud aan producten worden uitgevoerd door niet-gecertificeerde personen.

Specificaties en onderdelen kunnen zonder voorafgaande kennisgeving worden gewijzigd.

RENÚNCIA DE RESPONSABILIDADE:**PT**

Estes desenhos servem apenas como referência para a encomenda de peças e destinam-se a ser utilizados pelos técnicos de assistência.

A instalação de peças sobresselentes genuínas da Numatic só deve ser efetuada por técnicos de assistência certificados da Numatic que se especializem e familiarizem com todos os regulamentos de segurança relevantes.

A Numatic International Ltd não aceita qualquer responsabilidade por perdas ou danos materiais ou pessoais se as reparações ou a manutenção dos produtos forem efetuadas por pessoas não certificadas.

As especificações e as peças estão sujeitas a alterações sem aviso prévio.

ESCLUSIONE DI RESPONSABILITÀ:**IT**

Questi disegni sono forniti solo come riferimento per l'ordine dei componenti e sono destinati all'uso da parte dei tecnici dell'assistenza.

L'installazione di ricambi originali Numatic deve essere eseguita esclusivamente da tecnici dell'assistenza certificati Numatic specializzati e a conoscenza di tutte le norme di sicurezza pertinenti.

Numatic International Ltd non si assume alcuna responsabilità per eventuali perdite o danni alla proprietà o alle persone se le riparazioni o la manutenzione dei prodotti vengono eseguite da persone non certificate.

Le specifiche e le parti sono soggette a modifiche senza preavviso.

EXENCIÓN DE RESPONSABILIDAD:**ES**

Estos esquemas solo se muestran como referencia para pedir piezas y para su uso por parte de ingenieros de mantenimiento.

La instalación de recambios originales de Numatic solo deben realizarla los ingenieros de mantenimiento homologados de Numatic que estén especializados y familiarizados con las normativas de seguridad pertinentes.

Numatic International Ltd no acepta la responsabilidad de cualquier pérdida o daño a la propiedad o a las personas si las reparaciones o el mantenimiento de los productos se llevan a cabo por personas sin certificación.

Las especificaciones y piezas están sujetas a cambios sin previo aviso.

ZASTRZEŻENIE:**PL**

Rysunki te służą wyłącznie do celów referencyjnych podczas zamawiania części i są przeznaczone do użytku przez inżynierów serwisowych.

Montaż oryginalnych części zamiennych Numatic powinien być wykonywany wyłącznie przez certyfikowanych serwisantów firmy Numatic, którzy posiadają odpowiednie kwalifikacje i znają wszystkie odpowiednie przepisy bezpieczeństwa.

Firma Numatic International Ltd nie ponosi odpowiedzialności za jakiegokolwiek straty lub szkody majątkowe i osobiste, jeśli naprawy lub serwisowanie produktów są przeprowadzane przez osoby nieposiadające certyfikatu.

Dane techniczne i części mogą zostać zmienione bez powiadomienia.

FRISKRIVNINGSKLAUSUL:**SV**

Dessa ritningar är endast avsedda för referens vid beställning av reservdelar och är avsedda för servicetekniker.

Installation av originalreservdelar från Numatic får endast utföras av certifierade Numatic-servicetekniker som specialiserar sig på och känner till alla relevanta säkerhetsföreskrifter.

Numatic International Ltd påtar sig inget ansvar för förlust eller skada på egendom eller person om reparationer eller service av produkter utförs av icke-certifierade personer.

Specifikationerna och produktens delar kan ändras utan föregående meddelande.

VASTUUVAPAUCLAUSEKE:**FI**

Nämä piirrokset on tarkoitettu ainoastaan osien tilaamisen avuksi ja ainoastaan huoltoinsinöörien käyttöön. Aitoja Numatic-varaosia saavat asentaa vain sertifioidut Numatic-huoltoinsinöörit, jotka ovat perehtyneet kaikkiin asiaankuuluviin turvamääräyksiin.

Numatic International Ltd ei ole vastuussa mistään omaisuus- tai henkilövahingoista, jos sertifioidut henkilöt ovat korjanneet tai huoltaneet tuotteita.

Teknisiä ominaisuuksia ja osia voidaan muuttaa ilman erillistä ilmoitusta.

ANSVARFRASKRIVELSE:**DA**

Disse tegninger er kun til reference for reservedelsordrer og er beregnet til serviceteknikere.

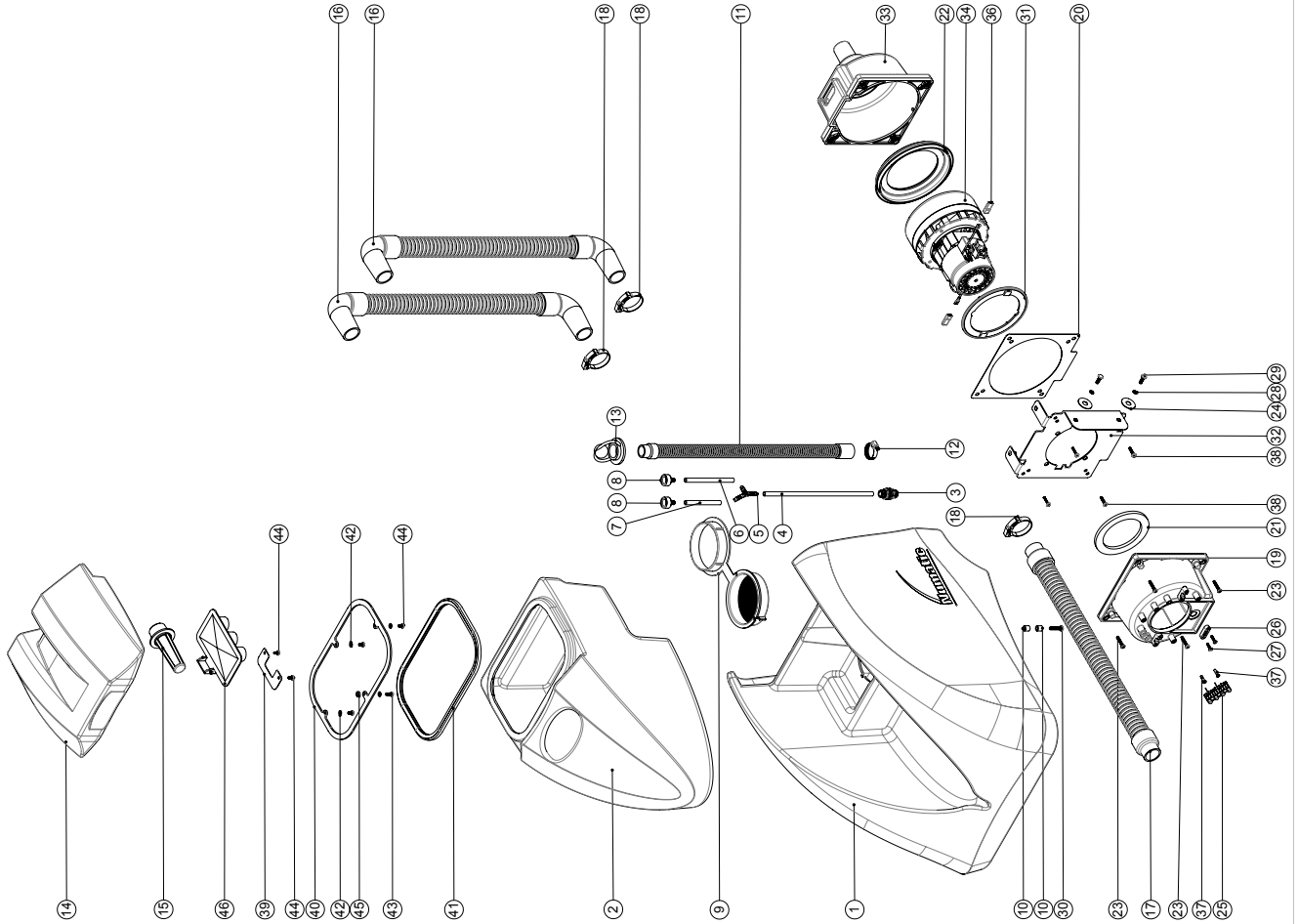
Montering af originale Numatic-reservedele må kun udføres af certificerede Numatic-serviceteknikere, der er specialiseret i og har kendskab til alle relevante sikkerhedsbestemmelser.

Numatic International Ltd påtager sig intet ansvar for tab eller skade på ejendom eller person, hvis reparationer eller service på produkter foretages af ikke-certificerede personer.

Specifikationer og dele kan ændres uden varsel.

Numatic International Spare Parts
Model No: TTQ-1535 VAC POD/SEPARATOR & TANK ASSEMBLY EXPLODED DRAWING

234094
 DRAWING: EXP-0525 ISSA11
 29/03/2018



Numatic International Spare Parts
Model No: TTQ-1535 VAC POD/SEPARATOR & TANK ASSEMBLY EXPLODED DRAWING

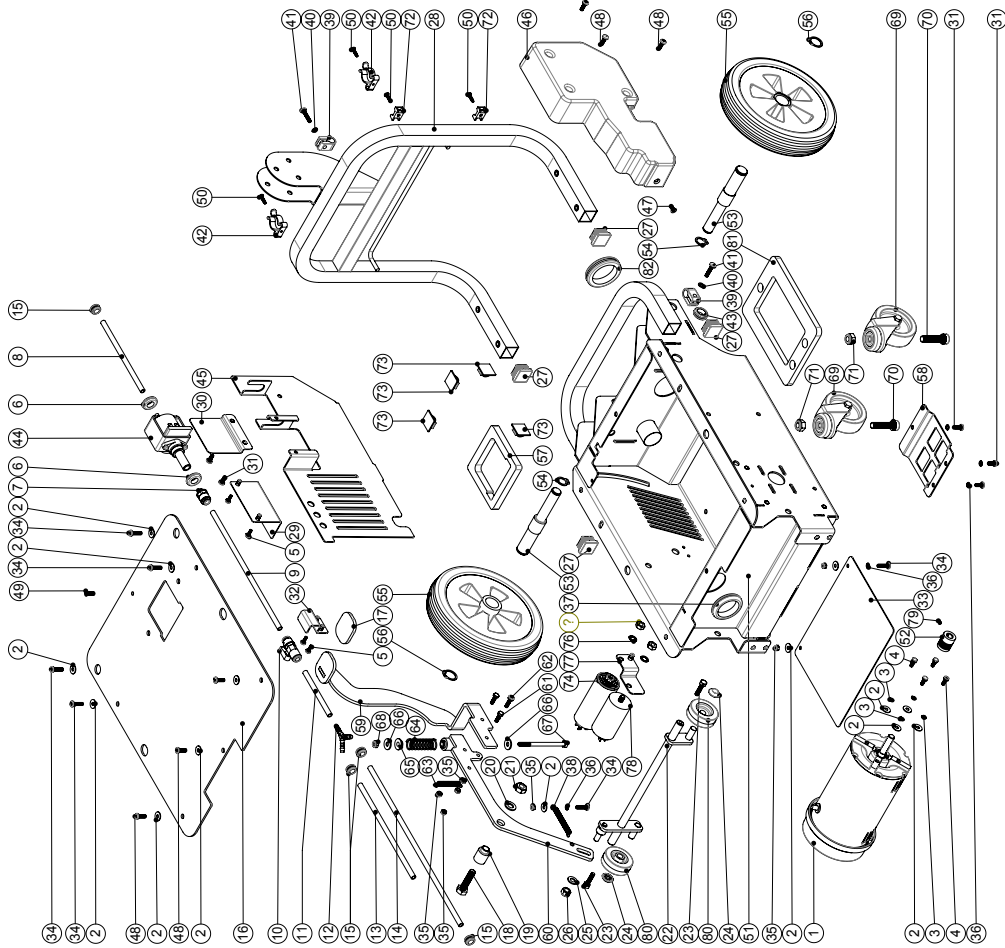
ITEM NO.	Item_No	DESCRIPTION	QTY.
1	227848	BOTTOM TANK	1
2	227981	GREY TOP TANK	1
3	216258	BULKHEAD FITTING 8MM	1
4	303533	250MM LONG CLEAR PVC HOSE	1
5	216264	DIVIDER	1
6	303534	110MM LONG CLEAR PVC HOSE	1
7	303535	80MM LONG CLEAR PVC HOSE	1
8	502040	GAUZE FILTER ASSEMBLY	2
9	229282	FILTER CAP (GREY)	1
10	219574	NYLON SPACER	4
11	213021	DUMP HOSE ASSEMBLY	1
12	219509	STAINLESS STEEL JUBILEE CLIP	1
13	206058	HOSE CLOSURE	1
14	227865	TTQ1535 SEPARATOR	1
15	206265	TT/B 345 BARREL FILTER	1
16	329376	EXTERNAL HOSE ASSEMBLY (460-470MM)	2
17	329271	500MM LONG SHORT HOSE ASSEMBLY	1
18	219736	HOSE CLAMP	3
19	227393	TOP VAC POD MOULDING (V2 MATERIAL)	1
20	202096	CENTRE GASKET	1
21	202078	MOTOR CAP GASKET	1
22	202077	BOTTOM MOTOR GASKET	1
23	219369	Nø8 X 1 INCH LONG POZI PAN STAINLESS STEEL PLASTITE SCREW	4
24	202097	RUBBER WASHER	2
25	907870	WECO 4X2 TERMINAL BLOCK	1
26	227008	BLACK CABLE CLAMP	1
27	219107	NØ6.5/8 INCH LG. POZI-PAN SCREW.Z/PL. PLASTITE	2
28	219016	M5 SHAKEPROOF WASHER	2
29	219547	M5 X 16MM LONG POZI PAN STAINLESS STEEL SCREW	2
30	219575	M5 X 25MM LONG POZI PAN STAINLESS STEEL SCREW	2
31	202101	TOP MOTOR GASKET	1
32	303553	NUTSERTED POD MOUNTING PLATE	1
33	303552	VAC POD MOULDING	1
34	320658	230V BP MOTOR ASSEMBLY	1
35	208512	X1 SUPPRESSION CAPACITOR (0.22uF / 300V AC / 22.5MM PITCH)	1
36	220395	6.3MM BLACK PUSH ON TERMINAL INSULATOR	2
37	219407	M4 X 16MM LONG POZI PAN COUNTERSUNK SCREW	2
38	219568	NØ8.3/4 INCH LG. POZI-PAN SCREW.STAINLESS STEEL.PLASTITE	4
39	329377	SEPARATOR FIXING PLATE	1
40	329378	GASKET SUPPORT RING	1
41	202109	SEALING GASKET	1
42	219688	M4 FORM A STAINLESS STEEL WASHER	4
43	219890	M4 X 12MM LONG POZI PAN STAINLESS STEEL SCREW	1
44	219697	M4 X 8MM LONG POZI PAN STAINLESS STEEL SCREW	5
45	219867	NYLON SPACER	1
46	229501	FLOAT MOULDING	1

Numatic International Spare Parts

Model No: TTQ-1535 / TTQ-3035 CHASSIS ASSEMBLY

NB: FOR WIRING SEE DRAWINGS: WD-0219 & WD-0320

234092
DRAWING: EXP-0523 ISS:A10
11/02/2011



Numatic International Spare Parts

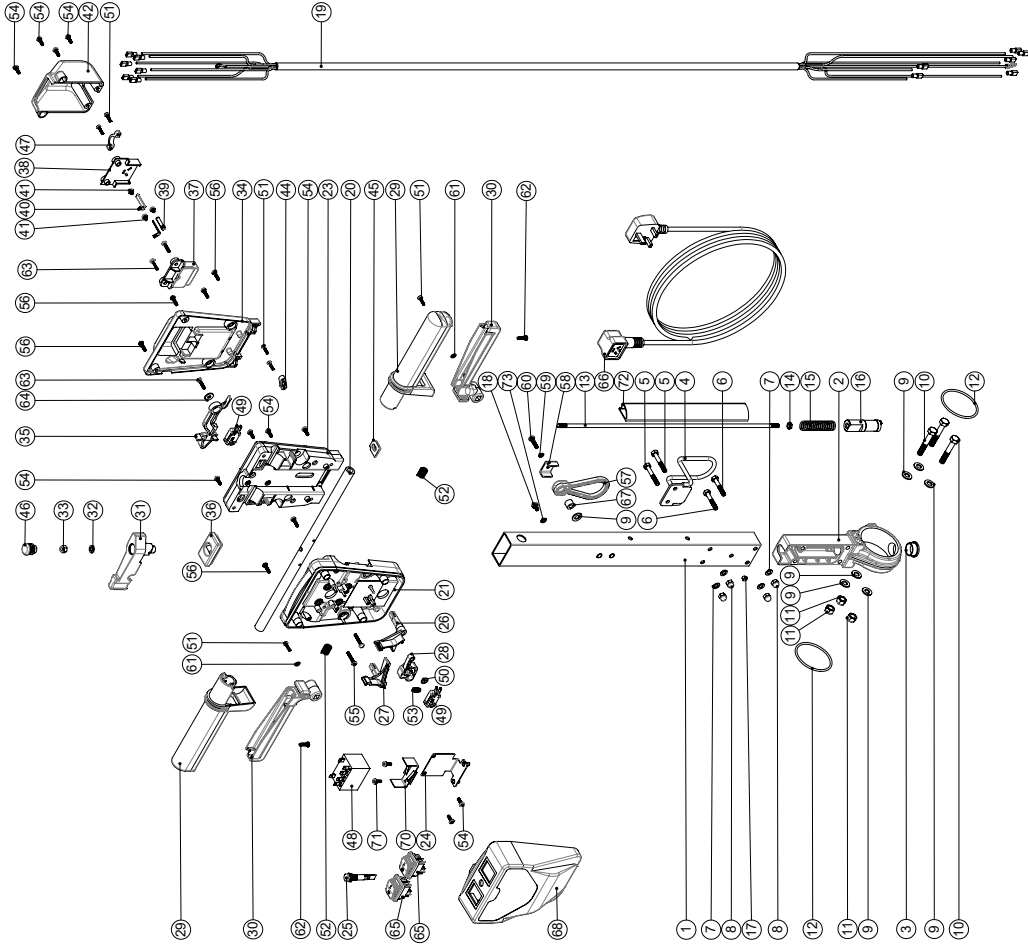
Model No: TTQ-1535 / TTQ-3035 CHASSIS ASSEMBLY

POS	ITEM NO	DESCRIPTION	COMMENTS
1	205182	P-SC INDUCTION MOTOR (400W) (230V) (50HZ) INCLUDING CAPACITOR	INCLUDES ITEM 74
	205083	P-SC INDUCTION MOTOR (400W) (120V) (60HZ)	
	205084	P-SC INDUCTION MOTOR (400W) (115V) (60HZ)	
	205043	P-SC INDUCTION MOTOR (400W) (220V) (60HZ)	
	205054	P-SC INDUCTION MOTOR (400W) (100V) (50/60HZ)	
2	219468	1/8" X 12MM LONG STAINLESS STEEL WASHER	
3	219468	1/8" X 12MM LONG STAINLESS STEEL WASHER	
4	219468	1/8" X 12MM LONG STAINLESS STEEL HEX SCREW	
5	219471	1/4" X 12MM LONG POZI PAN SEMS SCREW	
6	219725	GROMMET	
7	216281	STRAIGHT ADAPTOR	
8	303540	16MM LONG CLEAR PVC HOSE	
9	303542	17MM LONG CLEAR PVC HOSE	
10	303543	18MM LONG CLEAR PVC HOSE	
11	303539	10MM LONG CLEAR PVC HOSE	
12	216284	EQUAL Y CONNECTOR	
13	303541	215MM LONG CLEAR PVC HOSE	
14	303543	365MM LONG CLEAR PVC HOSE	
15	219680	GROMMET	
16	329223	TOP COVER	
17	205086	FOOT PEDAL PAD	
18	205086	1/8" X 12MM LONG HEX BOLT	
19	206533	PEDAL BOSS	
20	219449	M10 FORM A WASHER	
21	219074	M10 FULL NUT	
22	429066	PIVOT WHEEL WELDED ASSEMBLY PAINTED GREY	
23	219229	M6 X 25MM LONG HEX SCREW	
24	229290	M6 X 25MM LONG HEX SCREW	
25	219078	M8 NYLON INSERT NUT	
26	20662V	1 HIGH SQUARE BLACK TUBE END STOP	
28	303560	HANDLE WELDED ASSEMBLY (NUT INSERTED & PAINTED SILVER)	
29	303560	NUT INSERTED DEFLECTOR PLATE	
30	303567	NUT INSERTED SPLASH PLATE	
31	219740	M5 X 12MM LONG STAINLESS STEEL POZI PAN SCREW	
32	303565	NUT INSERTED TAP BRACKET	
33	219671	M5 X 20MM LONG POZI PAN STAINLESS STEEL SCREW	
34	219671	M5 X 20MM LONG POZI PAN STAINLESS STEEL SCREW	
35	219633	M5 STAINLESS STEEL NYLON INSERT NUT	
36	219016	M5 SHAKEPROOF WASHER	
37	219285	GROMMET	
38	219733	EXPANSION SPRING	
39	219743	CABLE CLEAT	
40	219672	M5 FORM A STEEL WASHER	
41	219672	M5 FORM A STEEL WASHER	
42	219633	M5 X 20MM LONG POZI PAN STAINLESS STEEL SCREW	
43	219631	TOOL CLIP	
44	219631	19MM GROMMET	
	216304	120V / 60HZ ELKA PUMP	
	216285	220V / 60HZ ELKA PUMP	
	216286	100V / 50/60HZ ELKA PUMP	
45	227384	BELT COVER MOUNTING (PAINTED GREY)	
46	227384	BELT COVER MOUNTING	
47	219405	M5 X 10MM LONG POZI PAN COUNTERSUNK SCREW	
48	21947	M5 X 16MM LONG POZI PAN STAINLESS STEEL SCREW	
49	219572	M5 X 16MM LONG POZI PAN COUNTERSUNK STAINLESS STEEL SCREW	
50	219036	N68 X 5/8 INCH LONG POZI PAN SELF TAPPING SCREW	
51	303575	NUT INSERTED CHASSIS (MARK 3)	
52	206587	DRIVE PULLEY	
53	220051	EXTERNAL CIRCLIP	
54	220051	EXTERNAL CIRCLIP	
55	204088	8 INCH WHEEL	
56	219724	20MM EXTERNAL CIRCLIP	
57	202100	TOP COVER SEAL	
58	329336	BAFFLE PLATE	
59	429073	REAR PEDAL WELDED ASSEMBLY (PAINTED RED)	
60	219672	M5 X 16MM LONG POZI PAN STAINLESS STEEL SCREW (PAINTED RED)	
61	219041	M5 X 16MM LONG POZI PAN STAINLESS STEEL SCREW	
62	219546	M5 X 20MM LONG POZI PAN SEMS SCREW	
63	226093	EXTENSION SPRING	
64	226092	COMPRESSION SPRING	
65	219781	SHOULDER WASHER	
66	219008	M6 FORM G WASHER	
67	219534	M6 X 9MM LONG HEX BOLT	
68	204085	M5 X 16MM LONG POZI PAN STAINLESS STEEL NYLON INSERT NUT	
69	204085	25MM CASTOR	
70	219782	M10 X 25MM LONG HEXAGON HEAD CAP SCREW	
71	219649	M10 NYLON INSERT NUT	
72	220904	CABLE CLIP PLATFORM	
73	220403	CABLE CLIP	
74	208505	221F/450V CAPACITOR (FOR USE WITH 205162 MOTOR)	
	220897	250 MFD MOTOR RUN CAPACITOR (450V)	
	220897	250 MFD MOTOR RUN CAPACITOR (250V)	
75	219079	M8 PLAIN NUT	
76	219018	M8 SHAKEPROOF WASHER	
77	303562	CAPACITOR BRACKET	
78	220878	50 MFD MOTOR RUN CAPACITOR (250V)	
79	219784	M5 X 8MM LONG BLACK OXIDISED GRUB SCREW	
80	329339	50MM MODIFIED WHEEL	
81	160995	50MM MODIFIED WHEEL	
82	220293	FLOAT GROMMET	
			230V MACHINES
			220V MACHINES
			100 / 115V / 120V MACHINES
			100 / 115V / 120V MACHINES
			100 / 115V / 120V MACHINES
			100 / 115V / 120V MACHINES

Numatic International Spare Parts

Model No: TTQ-1535 / TTQ-3035 Handle Assembly

234093
DRAWING: EXP-0524 ISS:A09
08/12/2008



Numatic International Spare Parts

Model No: TTQ-1535 / TTQ-3035 Handle Assembly

ITEM:	PART No.:	DESCRIPTION	COMMENTS:
1	429074	430MM PAINTED PROCESSED ALUMINIUM HANDLE	
2	229081	HANDLE CASTING MACHINED	
3	229099	25MM DIA HOLE PLUG	
4	303498	CABLE HOOK WELDED ASSEMBLY	
5	21965V	M6 X 40MM LONG HEX BOLT	
6	219064	M6 X 35MM LONG HEX BOLT	
7	219007	M6 FORM B WASHER	
8	219080	M6 DOMENUT	
9	219010	M8 FORM A WASHER	
10	219071	M8 X 50MM LONG HEX BOLT	
11	219078	NUT M6 NYLON INSERT Z PL	
12	219254	O RING 3MM DIA X 60MM ID	
13	229461	400MM HANDLE LOCKING ROD	
14	219099	M6 HALF NUT	
15	227158	SPRING 1.585MM CO. 26.5MM FREE LENGTH	
16	229053	GAR LOCKING PIN	
17	229009	BLANKING PLUG	
18	219047	M5 X 10MM LONG POZI PAN SEMS SCREW	
19	224009	7 CORE CABLE ASSEMBLY MK3	
20	338269	CROSS TUBE	
21	227576	FRONT INNER HALF MouldING	CSA SPEC MACHINES
22	227576	FRONT INNER HALF MouldING (FR)	CSA SPEC MACHINES
23	229509	REAR INNER HALF MouldING (FR)	
24	303526	NUISERED RELAY MOUNTING BRACKET	
25	220812	230V / NEON INDICATION & RED LENS	
26	227585	LEFT HAND SWITCH OPERATING LEVER MouldING	
27	227586	RIGHT HAND SWITCH OPERATING LEVER MouldING	
28	227587	CENTRE SWITCH OPERATING LEVER MouldING	
29	227580	HAND GRIP MouldING	
30	227600	TRIGGER MouldING BLUE	
31	227583	ADJUSTMENT LEVER MouldING	
32	219483	M4 NYLON WASHER	
33	219088	M4 NYLON INSERT NUT	
34	227676	MAINS TYPE FLAME RETARDANT REAR COVER MouldING	
35	227584	INTERLOCK LEVER MouldING	
36	227582	HANDLE PLUG MouldING	
37	227691	TERMINAL BLOCK COVER	
38	227680	TERMINAL BLOCK	
39	206562	CONTACT PIN	
40	206563	EARTH CONTACT PIN	
41	219090	M4 X 8MM LONG POZI-PAN SEMS SCREW Z/PL	
42	227678	SOCKET COVER	
43	229512	BLACK CABLE CLAMP	
44	227008	BLANKING PLUG	
45	227666	1MM BLACK TUBE END STOP	
46	20638V	CABLE CLAMP 18A PUGGED	
47	218290	240V / 25A RELAY	
48	206675	SNAP ACTION SWITCH	
49	229483	4MM SPRETEX	
50	219805	N04.5/8 INCH LG POZI-PAN SCREW Z/PL PLASTIC	
51	219107	TRIGGER COMPRESSION SPRING	
52	219803	SWITCH COMPRESSION SPRING	
53	219804		
54	219569	N08 X 1/2 INCH LONG POZI PAN STAINLESS STEEL PLASTIC SCREW	
55	219811	N08 X 1 INCH LONG POZI PAN SELF TAP SCREW	
56	219105	N08 X 5/8 INCH LONG POZI PAN PLASTIC SCREW	
57	226008	STRESS RELIEF	
58	229231	STRESS RELIEF BRACKET	
59	219016	M5 SHAKEPROOF WASHER	
60	219054	M5 X 20MM LONG POZI PAN SCREW	
61	219206	M4 FORM A WASHER	
62	219036	N08 X 5/8 INCH LONG POZI PAN SELF TAPPING SCREW	
63	219568	N08.3/4 INCH LG POZI-PAN SCREW STAINLESS STEEL PLASTIC	
64	219005	M5 FORM G WASHER	
65	270146	EVERAL SWITCH DIST GREEN ILLUMINATED WITH MEMBRANE 120/250V	
66	230012	20.01M X 1.50MM X 3 CORE NUCABE (UK PLUG)	
67	224006	SPACER (BLACK)	
68	227746	FRONT COVER MouldING (MAINS & BATTERY)	
69	229479	FRONT COVER MouldING (MAINS & BATTERY) (FR)	
70	206500	RELAY BRACKET	
71	219471	M4 X 1.2MM LONG POZI PAN SEMS SCREW	
72	391074	230MM LONG CUT SELF ADHESIVE CABLE DUCTING	
73	219003	M5 FORM A STEEL WASHER	

CSA SPEC MACHINES

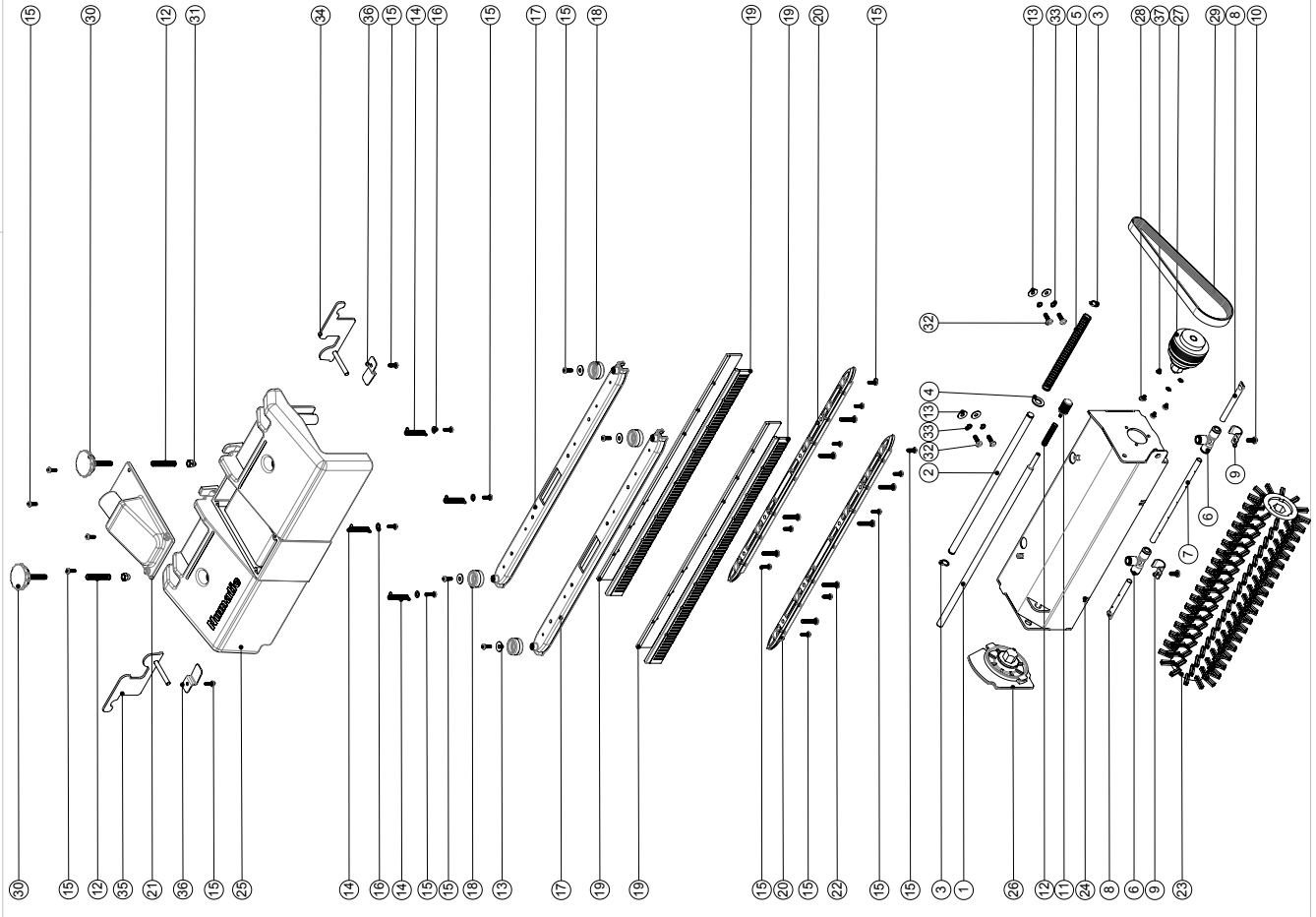
CSA SPEC MACHINES

CSA SPEC MACHINES

Numatic International Spare Parts

Model No: TQ-1535/TTQ-3035 BRUSH & HOUSING ASSEMBLY

234091
DRAWING: EXP-0522 ISS:A06
12/09/2011



Numatic International Spare Parts

Model No: TQ-1535/TTQ-3035 BRUSH & HOUSING ASSEMBLY

POS.	ITEM NO.	DESCRIPTION:	COMMENTS:
1	206526	LOCKING BAR	
2	206532	COVER PIN	
3	219586	10MM EXTERNAL CIRCLIP	
4	219449	M10 FORM A WASHER	
5	219731	COMPRESSION SPRING	
6	216259	EQUAL TEE 8MM	
7			
8	303538	SPRAY BAR END	
9	329281	SPRAY BAR CLIP	
10	219740	M5 X 12MM LONG STAINLESS STEEL POZI PAN SCREW	
11	219738	M4 KNOB	
12	219732	COMPRESSION SPRING	
13	219644	M5 FORM G STAINLESS STEEL WASHER	
14	219734	EXPANSION SPRING	
15	219669	N68 X 1/2 INCH LONG POZI PAN STAINLESS STEEL PLASTITE SCREW	
16	219355	M5 FORM A STAINLESS STEEL WASHER	
17	227386	TOP PIECE MouldING	
18	229389	BUFFER WHEEL	
19	217348	BLADE	
20	227387	BOTTOM PIECE MouldING	
21	227385	AIR TUBE MouldING	
22	219575	M5 X 25MM LONG POZI PAN STAINLESS STEEL SCREW	
23	606228	0.5MM NYLON BRISTLE SCRUB BRUSH	
24	303559	BRUSH COVER WELD ASSEMBLY	
25	318998	PRINTED BRUSH COVER MouldING	
26	329279	END COVER MouldING ASSEMBLY	
27	329286	DRIVE END ASSEMBLY	
28	219697	M4 X 8MM LONG POZI PAN STAINLESS STEEL SCREW	
29	217352	POLYVEE DRIVE BELT	
30	206661	HEIGHT ADJUSTMENT KNOB	
31	219764	M6 STAINLESS STEEL DOME NUT	
32	219765	M5 X 16MM LONG BUTTON HEAD STAINLESS STEEL SCREW	
33	219648	M5 SINGLE COIL WASHER	
34	329902	RIGHT HAND LIFTING LEVER ASSEMBLY	
35	329903	LEFT HAND LIFTING LEVER ASSEMBLY	
36	329291	None	
37	219075	M4 SHAKEPROOF WASHER	

Numatic International Limited (Head Office)

Chard, Somerset TA20 2GB, UNITED KINGDOM

Tel: 01460 68600 numatic.com

Numatic International GmbH

Fränkische Straße 15-19, 30455 Hannover, DEUTSCHLAND

Tel: +49 (0) 511 984 2160 numatic.de

Numatic International Denmark

Fränkische Straße 15-19, 30455 Hannover, DEUTSCHLAND

Tel: +45 (0) 316 40808 numatic-online.dk

Numatic International S.A.S

13/17 rue du Valengelier, EAE la Tuilerie, 77500 Chelles, FRANCE

Tel: +33 (0) 164 726 161 numatic.fr

Numatic International BV

Vennootsweg 15, 2404 CG, Alphen aan den Rijn, NEDERLAND

Tel: +31 (0) 172 467 999 numatic.nl

Numatic International Schweiz AG.

Sihlbruggstrasse 3A, 6340 Baar, SCHWEIZ

Tel: +41 (0) 41 768 0760 numatic.ch

Numatic International (PTY) Ltd.

Cnr. 16th & Pharmaceutical Road, Randjes Park, Midrand 1685, SOUTH AFRICA

Tel: +27 (0) 861 686 284 numatic.co.za

Numatic International ULDA

Rua Francisco da Silva Duarte, nº79,

4475-269 Santa Maria de Avioso, Castelo da Maia, PORTUGAL

Tel: +351 220 047 700 numatic.pt

Numatic International Spain, S.L.U.

Av. Baix Llobregat, 5-7, Oficina bajos 1 (Parc Negocis Mas Blau II)

08820 El Prat de Llobregat (Barcelona), SPAIN

Tel: +34 93 647 22 22 numatic.es

Numatic International Italy S.R.L

Via Luigi Galvani, 2, Z.I. Talponedo, 33080 Porcia (PN), ITALY

Tel: +39 (0) 434 046 211 numatic.it