

ASBL7 - LOW FREQUENCY SOUNDER BASE



STANDARD FEATURES

- UL268, UL521, UL2075, UL464 Listed
- Programmable evacuation codes - Continuous, Temporal Code 3 (Temporal Code 4 with CO detection)
- 520Hz Low frequency alarm signal meets NFPA requirements for sleeping areas
- Separate addresses range (128 - 254) for easy Cause and Effect programming
- Programmable activation by General Alarm, by zone and/or by individual address
- Up to 127 Sensors and 127 ASBL7's can be on one SLC loop
- High sound pressure level (85dB SPL at 10 ft.)

SPECIFICATIONS

Operating Voltage	17 - 41 VDC
SLC Current Consumption	250µA (Standby and Alarm)
Auxiliary Power	16 - 33 VDC
Auxiliary Current Consumption	2.3mA (Standby)
Auxiliary Current Consumption	72mA @ 33VDC (Alarm) 95mA @ 24VDC 140mA @ 16VDC
Sound Pressure Level	85dB
Max. Quantity per Loop	127
UL Ambient Installation Temperature Range	32°F (0°C) - 100°F (38°C)
Operating Temperature Range	32°F (0°C) - 122°F (50°C)
Relative Humidity	93% RH Non-Condensing
Base Diameter	6.6"
Base Height	3.1"
Compatible Sensors	ALG-V, ALK-V, ALN-V, AIE-EA, ATG-EA, ATJ-EA, ACA-V, ACC-V, ACD-V,

Specifications subject to change without notice.

DESCRIPTION

The Hochiki ASBL7 Low Frequency Sounder Base is designed for use with the Hochiki Addressable Sensors. Each base is to be connected to the Hochiki State-of-the-Art Digital Communications Protocol (DCP) Signaling Line Circuit (SLC). The ASBL7 provides an audible alarm in the immediate vicinity. Ideal applications are Hotels, Apartments, and Hospitals.

The ASBL7 meets NFPA 72 requirements for Low Frequency alarms in sleeping areas. Studies have shown that a low frequency alarm signal is the most effective at waking people with mild to moderate hearing loss. The ASBL7 is designed for installation in sleeping areas, such as bedrooms, dorm rooms, hotel rooms, patient rooms, etc. Operation and supervision of the ASBL7 is fully managed by the compatible Fire Alarm Control Panel (FACP).

The ASBL7 has a highly configurable programming algorithm that allows the user to set up groups of bases for synchronization of modulation tones. Each device has Continuous, March, Temporal 3, and Temporal 4 patterns.

PRODUCT LISTINGS



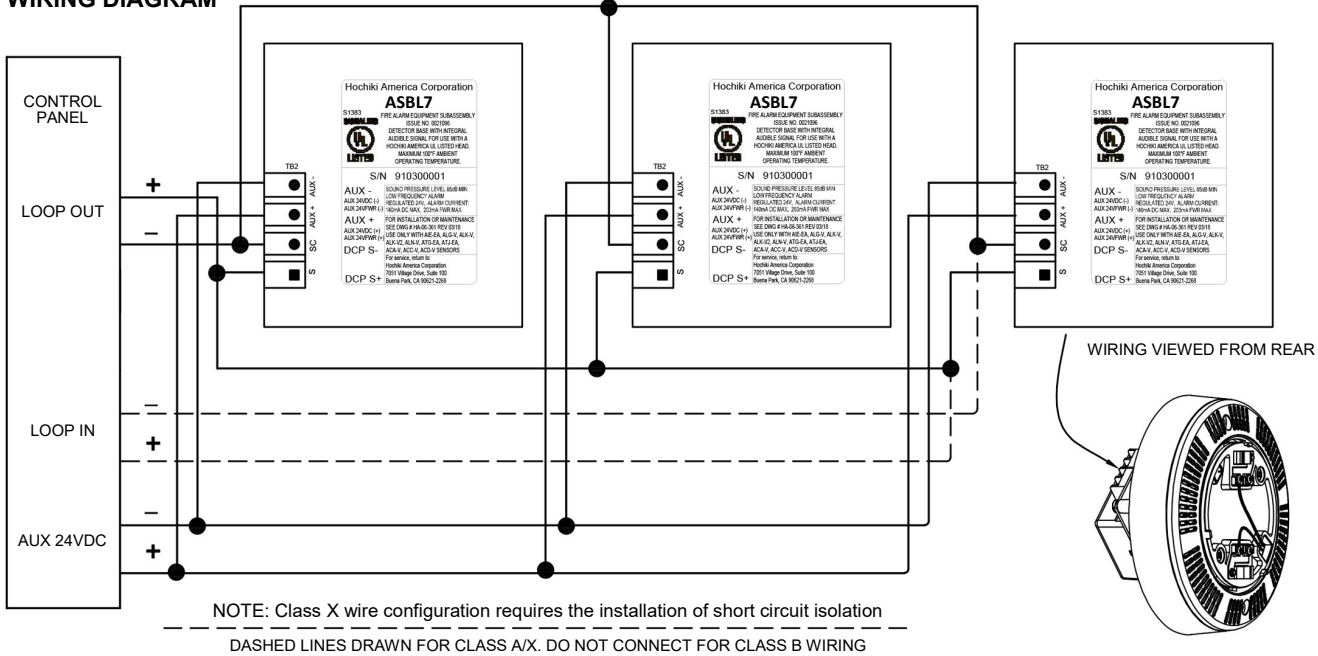
California State
Fire Marshal
7300-0410:0210

Continued on back.

ASBL7 - LOW FREQUENCY SOUNDER BASE

WIRING DIAGRAM

ASBL7 SLC WIRING, ONLY BOARD AND LABEL SHOWN



MOUNTING

ASBL7 Mounting Instructions

The ASBL7 sounder base mounts to a 4" extension ring (not supplied) with two 8-32, 2" mounting screws (supplied).
The extension ring mounts to the 4" back box with two mounting screws (both 4" box and screws not included).

