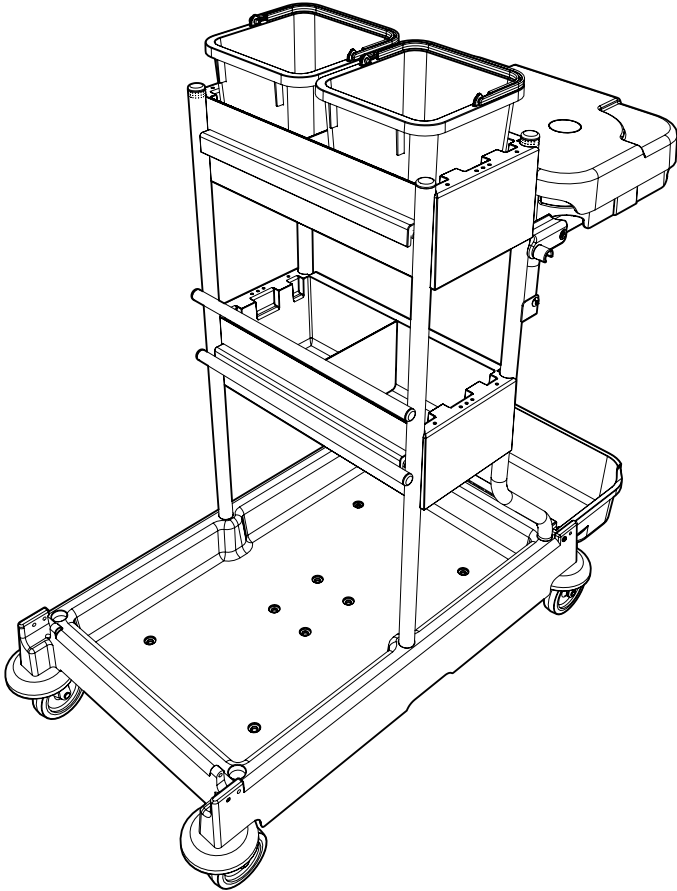


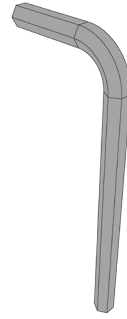
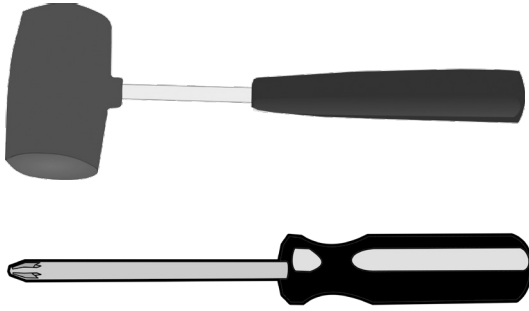
SM-1415

Numatic

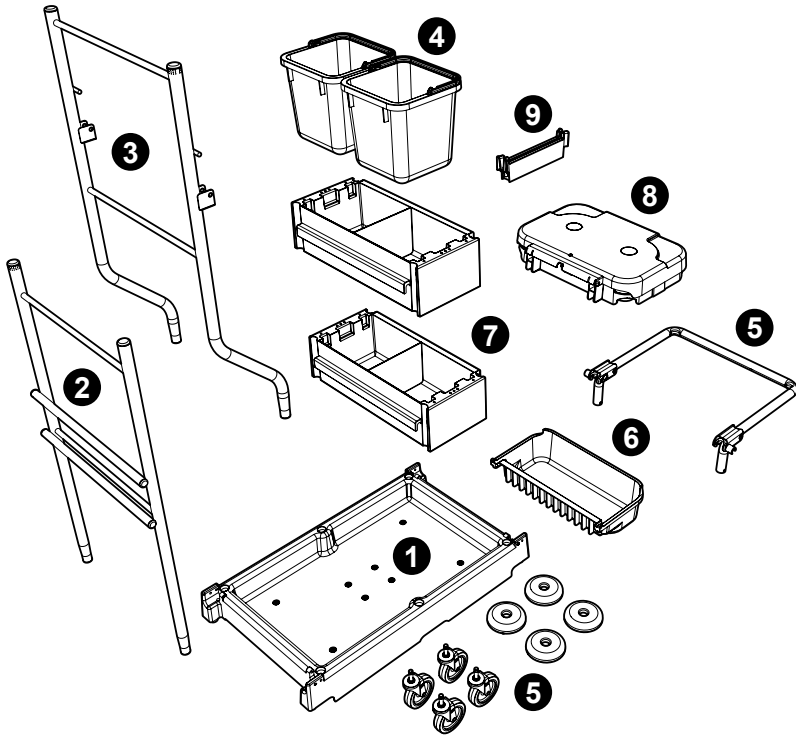
numatic.com



Original Instructions

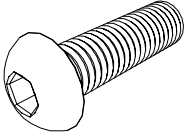


0.45 HR



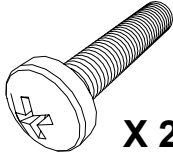
Item	Description	Qty
1	Trolley base	1
2	Front upright frame assembly	1
3	Rear upright frame	1
4	6ltr Bucket	2
5	Lid support frame assembly	1
6	Bag support tray	1
7	Clip on half tray	2
8	3 piece lid set	1
9	(Optional Extra) Bin divider	1

M8 25mm
Socket Bolt



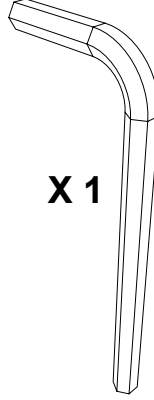
X 4

M5 X 25



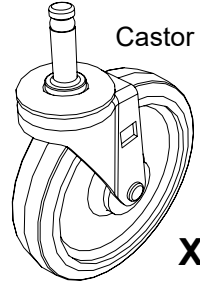
X 2

Allen Key



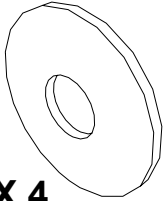
X 1

Castor



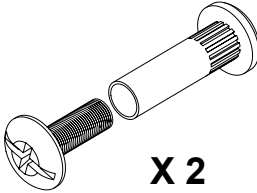
X 4

M8



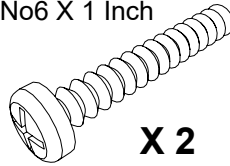
X 4

M6 Screw & sleeve



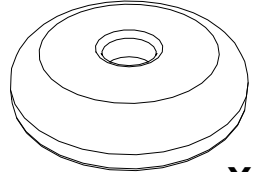
X 2

No6 X 1 Inch

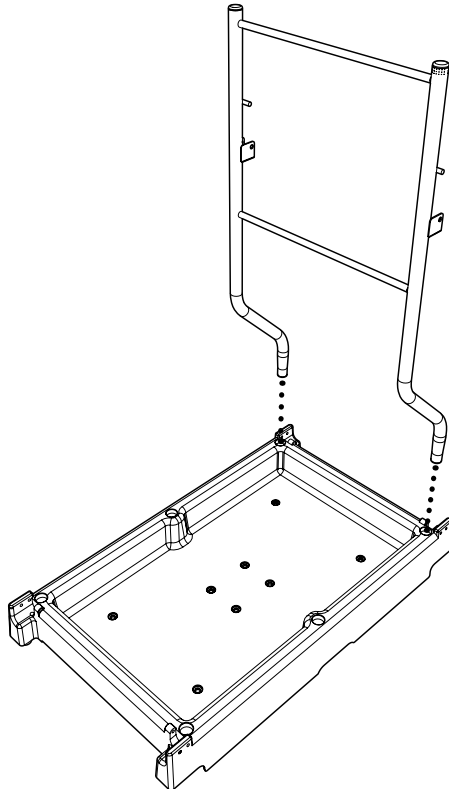


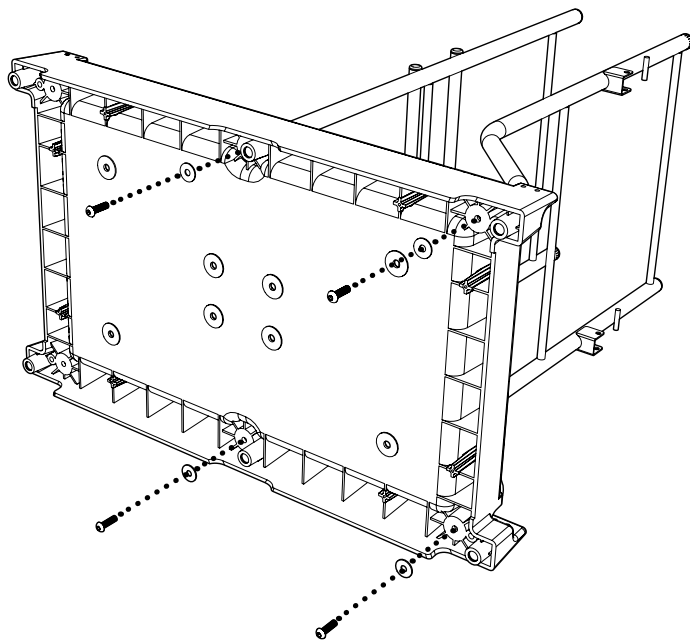
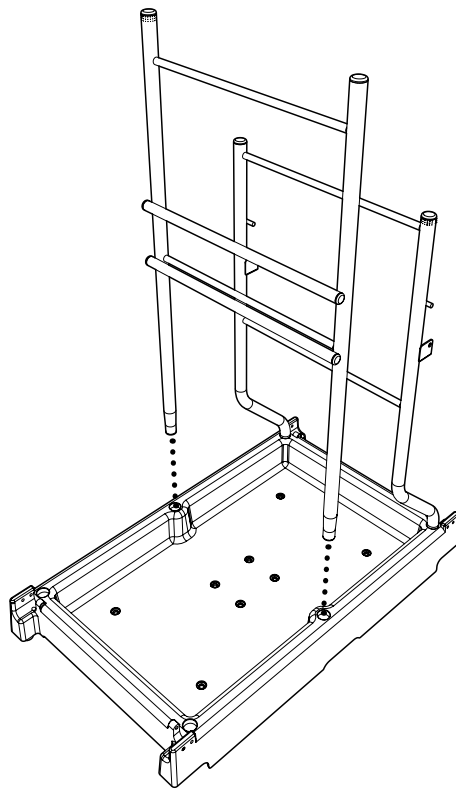
X 2

Buffer

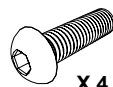


X 4





M8 25mm
Socket Bolt

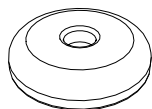


X 4

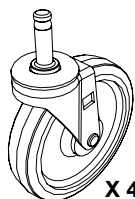
M8



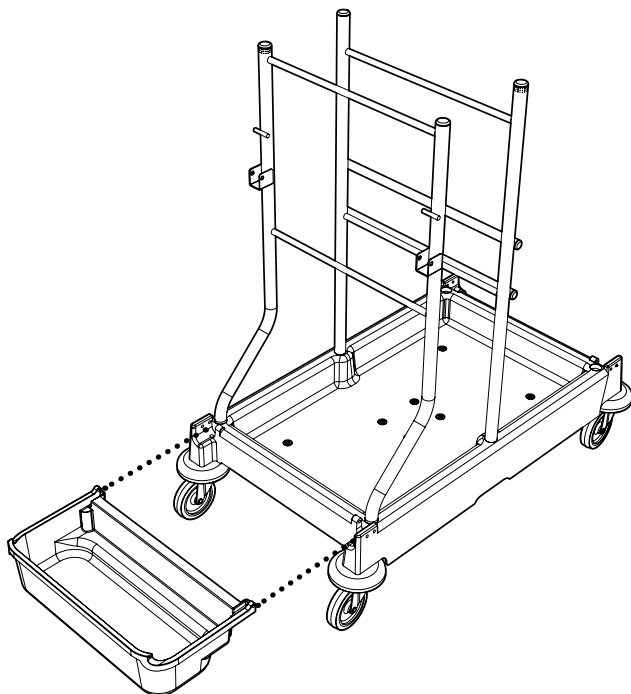
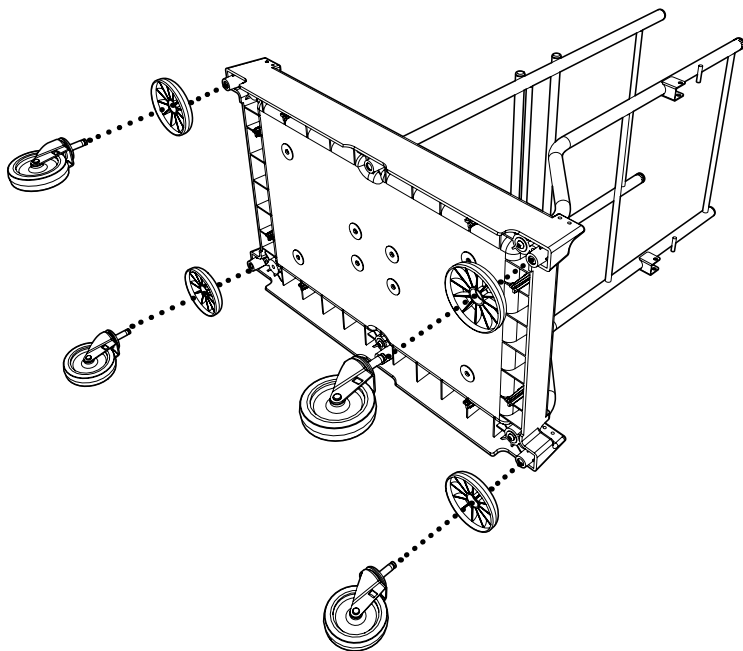
X 4



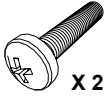
X 4



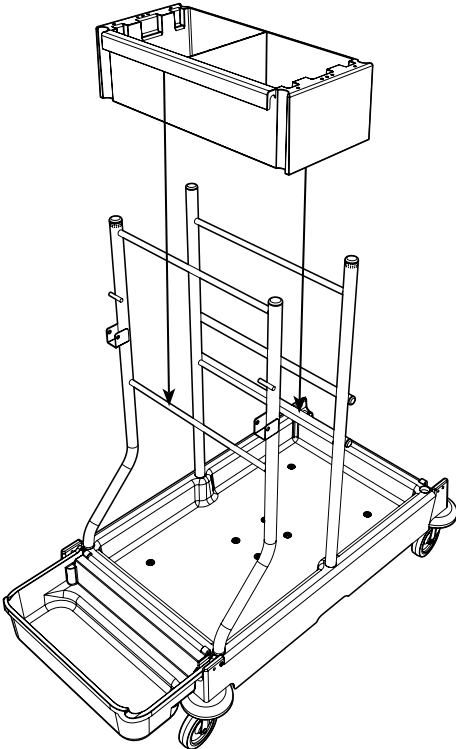
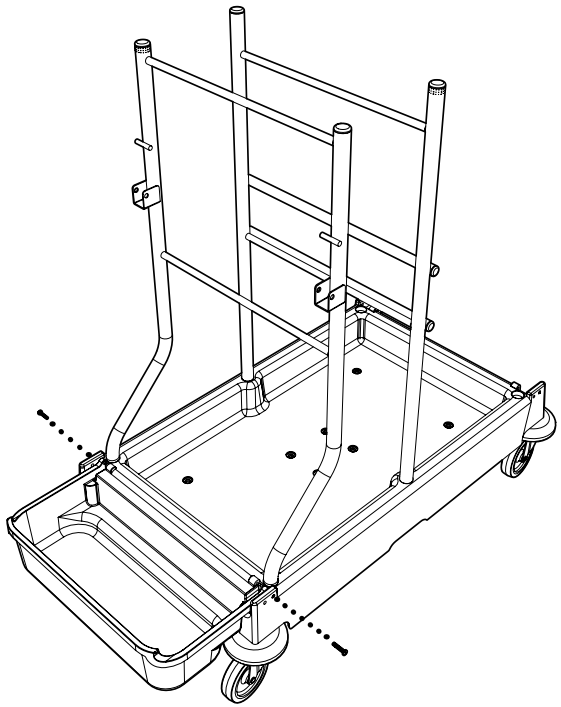
X 4

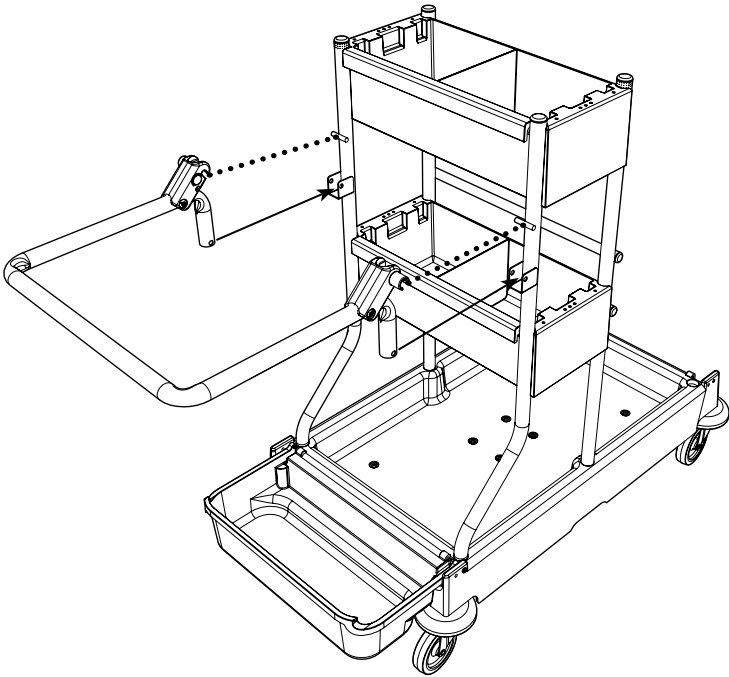
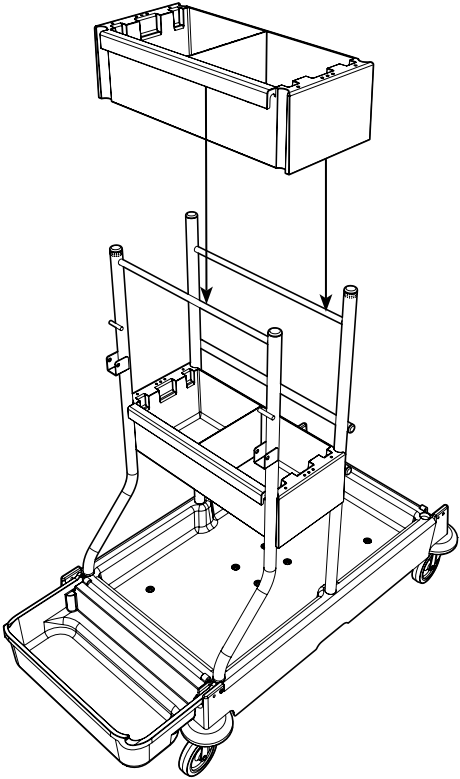


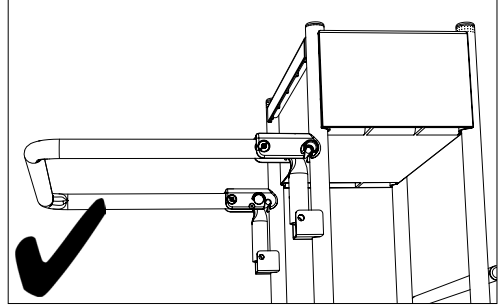
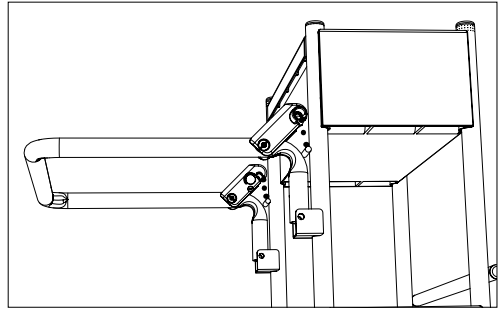
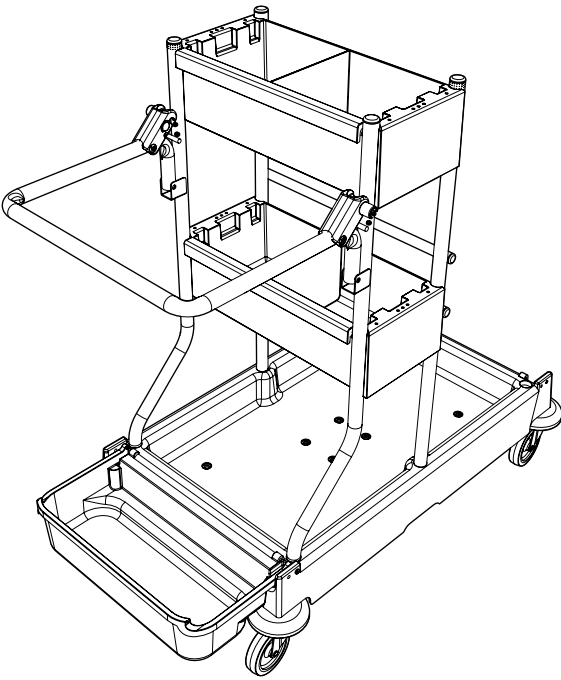
M5 X 25



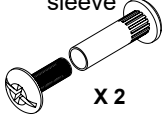
X 2



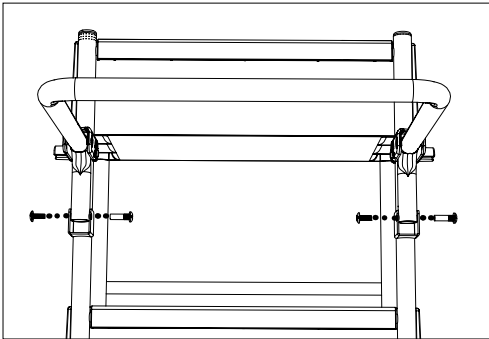
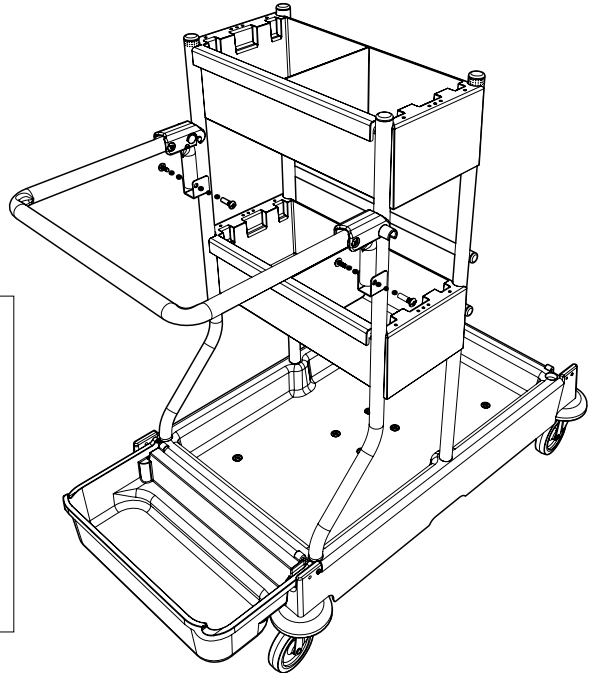


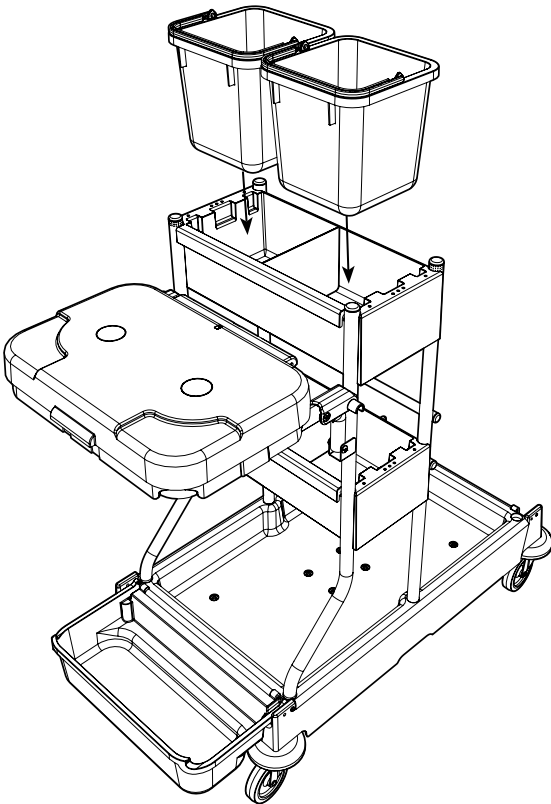
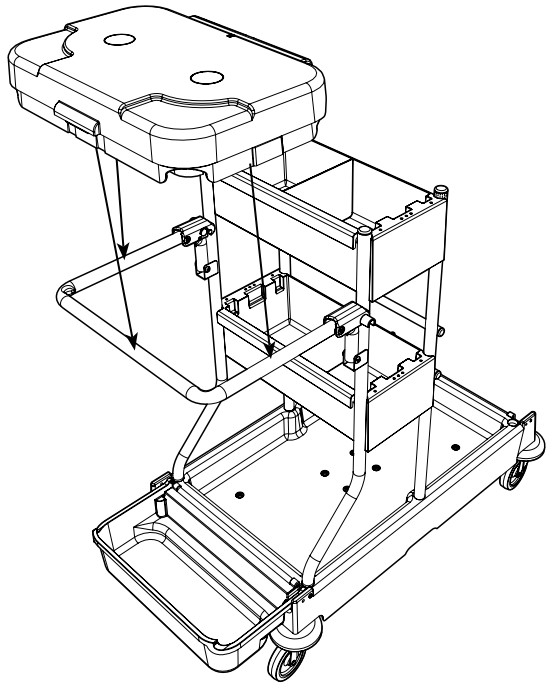


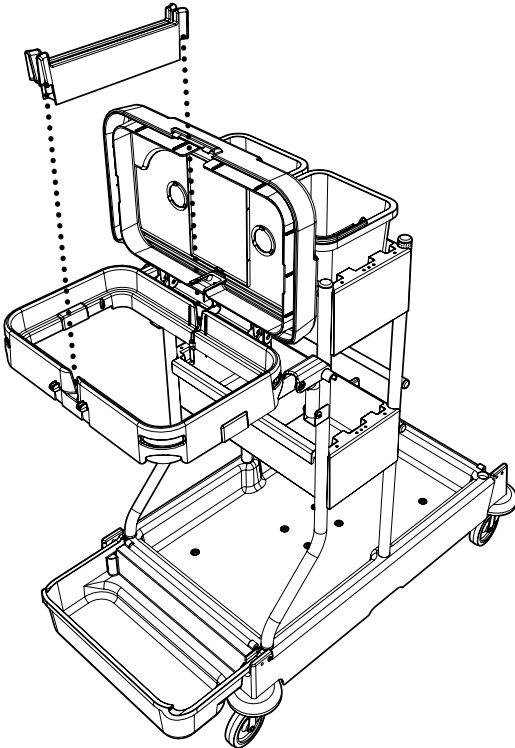
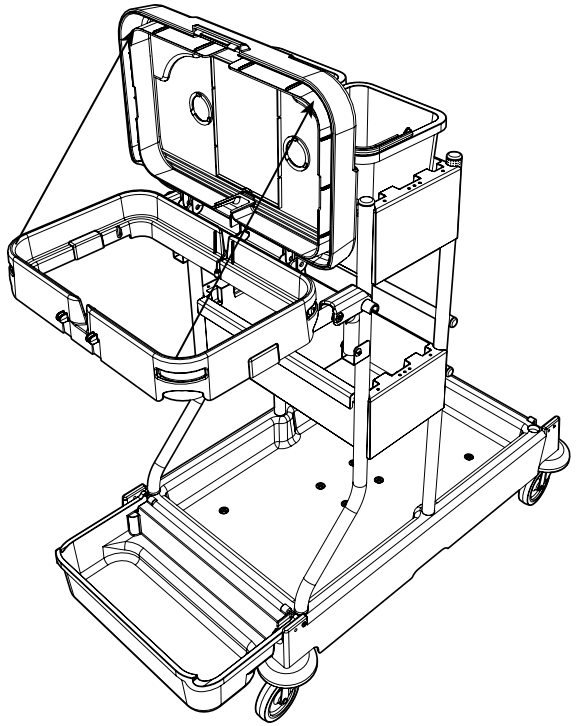
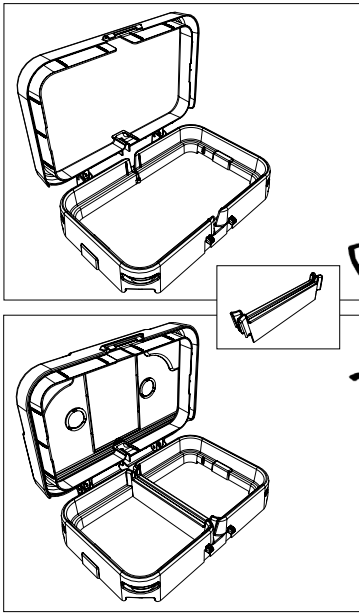
M6 Screw & sleeve

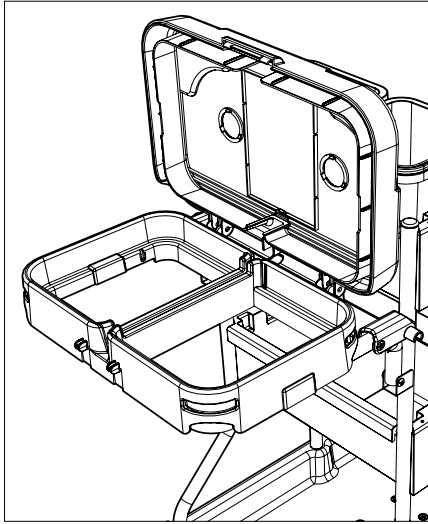


X 2

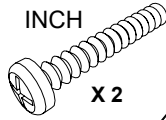








No6 X 1
INCH



X 2

