



RPP-EDW05B (JE)

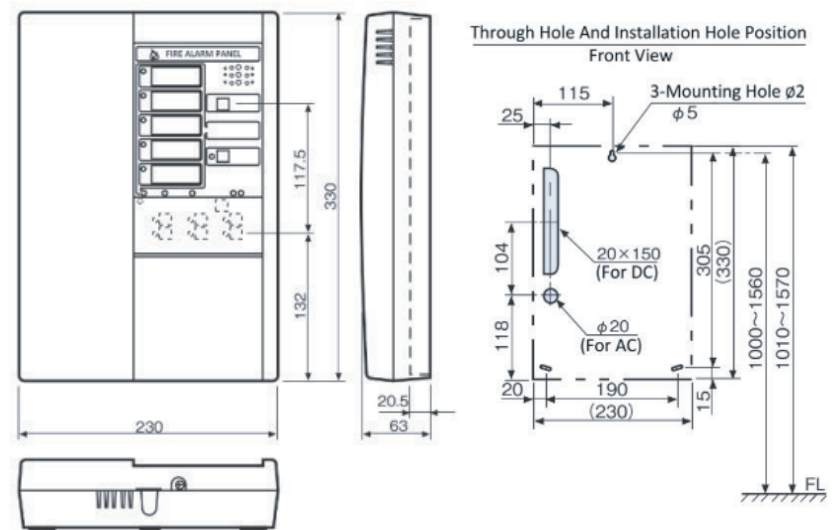
P2 type fire alarm control panel



Standard Features

- ☒ Versatile zone configuration to suit various requirement
- ☒ Light weight and compact in size
- ☒ Time delay function

Dimension(mm)



Specification - P-2 Type Fire Alarm Control Panel

Product code	RPP-EDW05B (JE)	
Number of zone	5	
Circuit type	RPP-E24F	
Main power	AC220V 50/60Hz	
Transformer rating	23VA	
Battery capacity (Nickel cadmium battery)	DC12V, 0.6Ah	
Power consumption	Monitoring (max.)	9VA
	Operating (max.)	22VA
Detector circuit voltage	24V (nominal)	

HOCHIKI ASIA PACIFIC PTE. LTD.

82 UBI Ave 4 #06-02
Edward Boustead Centre, Singapore 408832
TEL: 65-6841-9728 | FAX: 65-6841-9781
URL : www.hochikiasiapacific.com

HEAD OFFICE

10-43 Kamiosaki 2-Chome.
Shinagawa-Ku, Tokyo 141-8660 Japan
TEL: 81-(3)-3444-4116 | FAX: 81-(3)-3444-4167
URL :www.hochiki.co.jp



RPP-EDW05B (JE)

P2 type fire alarm control panel



Specification - P-2 Type Fire Alarm Control Panel

Number of devices connected (Typical model names)	Smoke detector SLV-24N SOC-24VN	Max. 20 units/zone (11 units/zone in average of all zones)	
	SPC-ET (Beam detector)	70 units/ All zone 3 units/zone (Emitter separate power supply), 2 sets/zone	
	Heat detector	No limit (contact type)	
	Local sounder device	8mA bell	12 units (DC24V, 100mA)
		13.5mA bell	6 units (DC24V, 100mA)
	Indication lamp	9mA LED	22 units (DC24V, 210mA)
		19mA LED	10 units (DC24V, 210mA)
Repeater panel	1 unit (Model: PEX-□H Type)		
Typical delay time	Typical delay time 50 s (Heat: Within 20 s, Smoke: Within 50 s)		
Delay system	Per-zone Temporary reset system		
Main alarm	Buzzer (DC24V, 25mA)		
External signal transfer	General fire alarm signal transfer	1c x 1 point (DC30V-1A)	
		1a x 1 point (DC30V-1A)	
	Manual call point signal transfer	1a x 1 point (DC30V-1A)	
Zone-signal transfer	Open-collector output x number of zones (Compatible with PEX- □H Type)		
External wire resistance	Detector line (L-C) 50Ω or less		
End of line resistor	10kΩ		
Operating temperature range	0°C to 40°C		
Material	Self-extinguishing resin (ABS) Thickness 3mm		
Color	Original light gray (Munsell value 5GY8.5/0.4 approximate color)		
Dimension	(W)230 x (H)330 x (D)63 (mm)		

HOCHIKI ASIA PACIFIC PTE. LTD.

82 UBI Ave 4 #06-02
Edward Boustead Centre, Singapore 408832
TEL: 65-6841-9728 | FAX: 65-6841-9781
URL : www.hochikiasiapacific.com

HEAD OFFICE

10-43 Kamiosaki 2-Chome.
Shinagawa-Ku, Tokyo 141-8660 Japan
TEL: 81-(3)-3444-4116 | FAX: 81-(3)-3444-4167
URL :www.hochiki.co.jp



RPP-EDW05B (JE)

P2 type fire alarm control panel



Specification

Weight	Approx. 1.7 kg
Accessories	Battery, Instruction Manual, Installation Manual, End of line resistor 10k Ω (Equivalent to the number of zones) and Fuse clip
Spare part	Fuse: 3 pcs. Each
Country of Origin	Japan

HOCHIKI ASIA PACIFIC PTE. LTD.

82 UBI Ave 4 #06-02
Edward Boustead Centre, Singapore 408832
TEL: 65-6841-9728 | FAX: 65-6841-9781
URL : www.hochikiasiapacific.com

HEAD OFFICE

10-43 Kamiosaki 2-Chome.
Shinagawa-Ku, Tokyo 141-8660 Japan
TEL: 81-(3)-3444-4116 | FAX: 81-(3)-3444-4167
URL : www.hochiki.co.jp