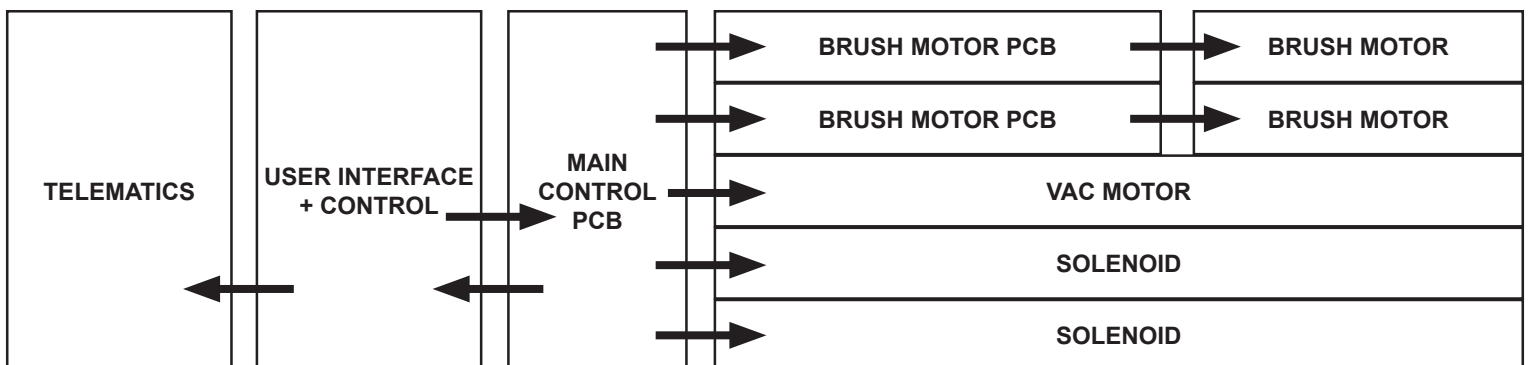


Supported bands of telematics module:

Frequency Band	Range (MHz)	Max Power (dBm)
LTE eFDD3	1710-1785	33
LTE eFDD 8	880-915	33
LTE eFDD 20	832-862	33
LTE eFDD 28	703-748	33
GMSK GSM 900	880-915	33
GMSK GSM 1800	1710-1785	33
8-PSK GSM 900	880-915	33
8-PSK GSM 1800	1710-1785	33
BLE	2402-2480	9.96
BR/EDR	2402-2480	13.41
WIFI	2412-2472	19.03

- **ToolSense Hardware Module:** An electronic device provided by ToolSense as part of the ToolSense IOT Kit that collects data and transmits it via wireless connection.
- The Telematics Module is constructed such that it may operate in all member states, No restrictions apply to the operation or use of this module.
- The telematics module contained within this product meets the European standards stated within the Declaration Document. It is the responsibility of the operator to ensure the environment in which the machine is used is Safe for the use of the signals within the range stated in this document.

SCHEMATIC



NUC244.TM - Telematics

Compact Scrubber Dryer



DECLARATION OF CONFORMITY

Table with multiple columns containing technical specifications, manufacturer information (Numatic International Limited), and regulatory compliance details in various languages.

Authorised Signatory: Mr. Matthew Coles
Position: Head of Technology
Numatic International Limited
Chard, Somerset, TA20 2GB, UK
Date: 12th February 2024
Signed: M Coles

DEC-083A V1.2

UKCA Declaration of Conformity table with fields for Manufacturer (Numatic International Limited), Product (NUC244.TM), and Description (Floor Treatment - Walk Behind - Commercial - Battery - Telematics).

Table listing regulatory standards and their corresponding EN numbers, such as Machinery Regulations (EN 60335-1:2012 + AC:2014 + A11:2014 + A13:2017 + A15:2021) and EMC Regulations (EN 55014-1:2017 + A11:2020).

Authorised Signatory: Mr. Matthew Coles
Position: Head of Technology
Numatic International Limited,
Chard, Somerset, TA20 2GB, UK

Signed: M Coles Date: 12th February 2024

DEC-083A V1.2