

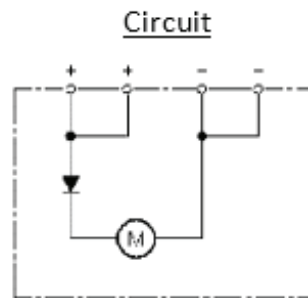
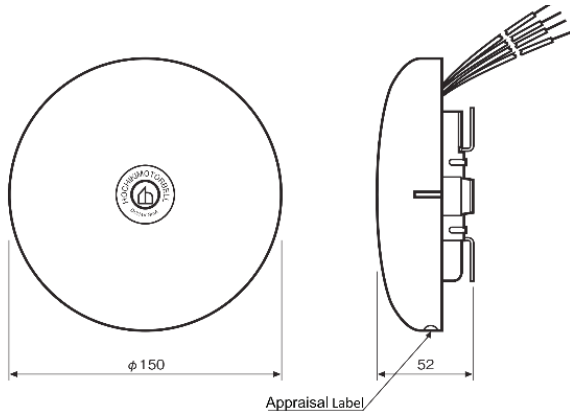
HOCHIKI

FBB-150ID

Fire alarm bell (Diode Included)



Dimension (mm)



Specification

Type	Fire Alarm Bell (Indoor Use)
Model	FBB-150ID
Alarm Current	8mA @24Vdc
Sound Level	Over 90dB (At Front 1m)
Operating Temp. Range	-20°C to 60°C
Material Gong Installation Base	Aluminum Alloy Aluminum Alloy
Color	Munsell 7.5R3.6/12.8
Weight	Approx. 440g
Country of Origin	Japan
Approval	JFEI

HOCHIKI ASIA PACIFIC PTE. LTD.
 82 Ubi Ave 4 #06-02
 Edward Boustead Centre, Singapore 408832
 TEL: 65-6841-9728 | FAX: 65-6841-9781
 URL : www.hochikiasiapacific.com

04/2020

HEAD OFFICE
 10-43 Kamiosaki 2-Chome.
 Shinagawa-Ku, Tokyo 141-8660 Japan
 TEL: 81-(3)-3444-4116 | FAX: 81-(3)-3444-4167
 URL : www.hochiki.co.jp

Specifications subject to change without notice