

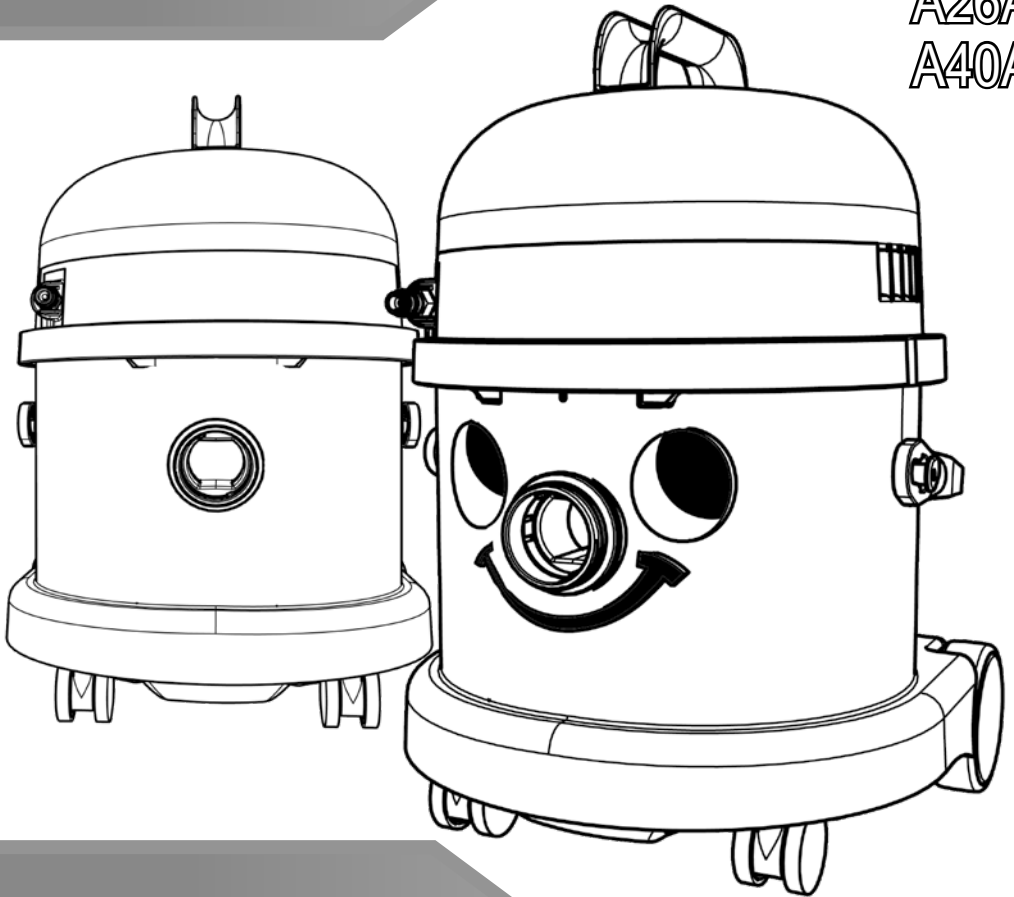
GVE370
CT370
CT380
CT470

Numatic

numatic.com



Kits
A26A
A40A

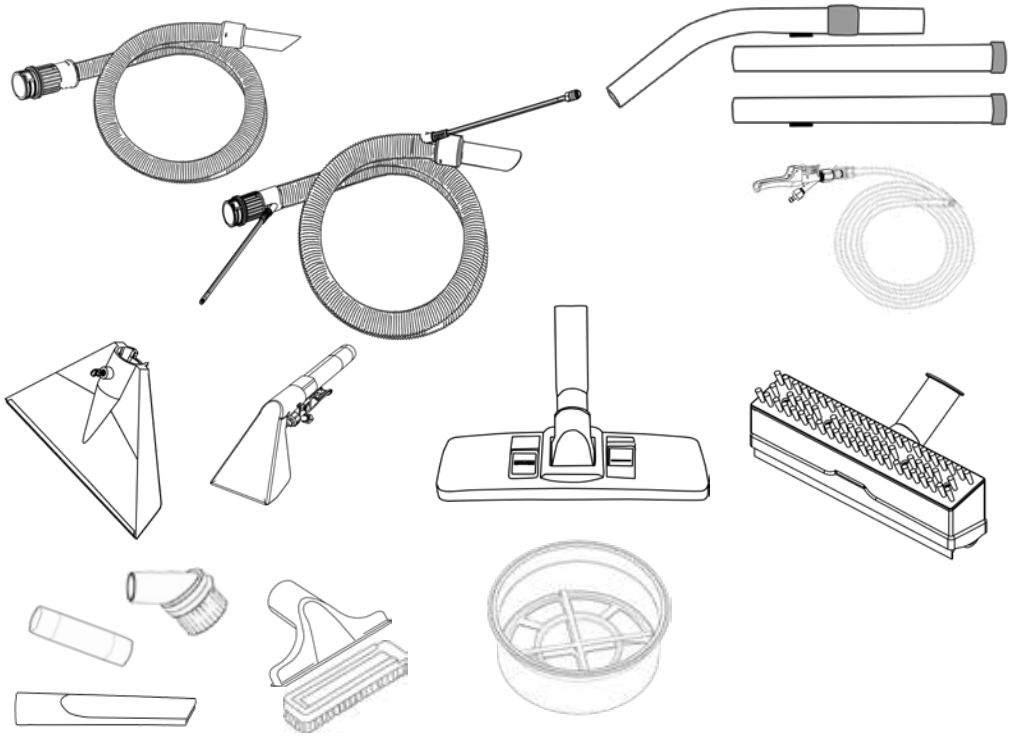


Original Instructions

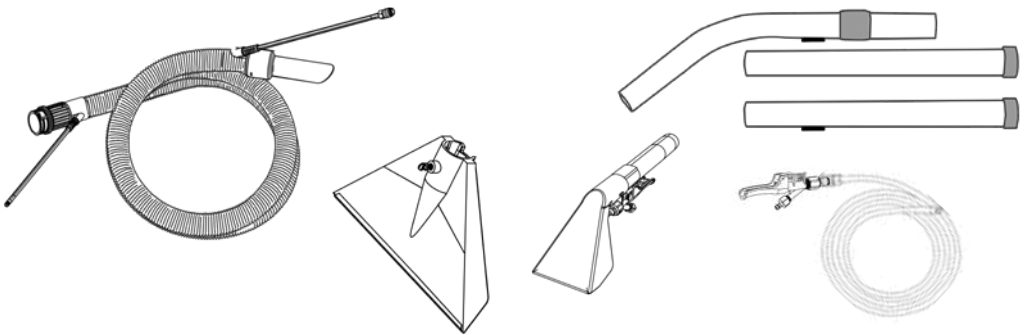
CAUTION, Read the Instructions before using the machine.



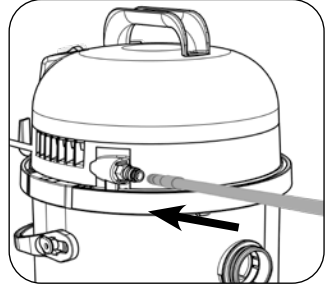
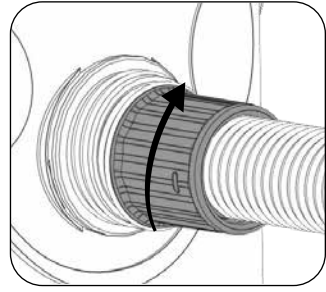
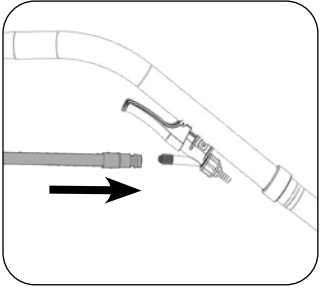
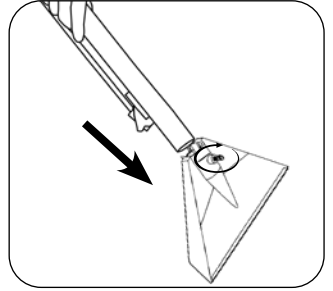
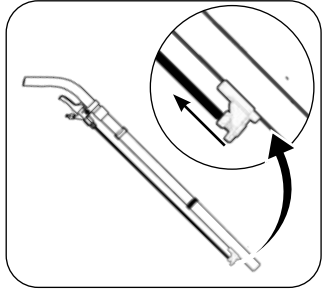
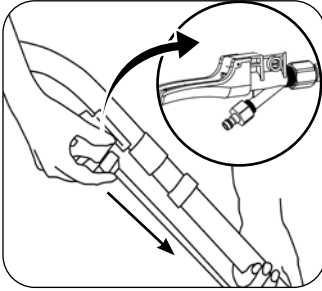
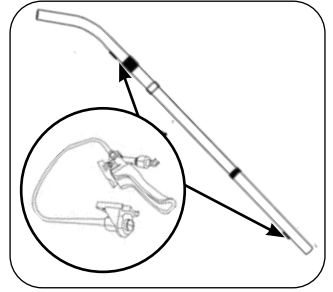
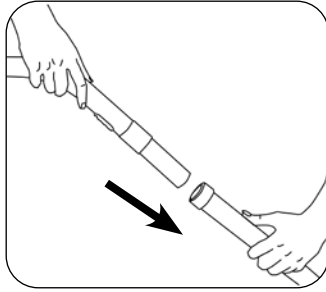
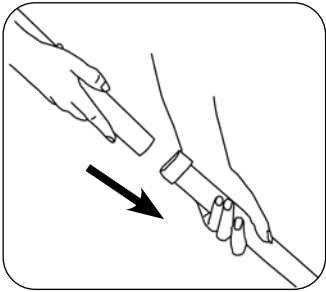
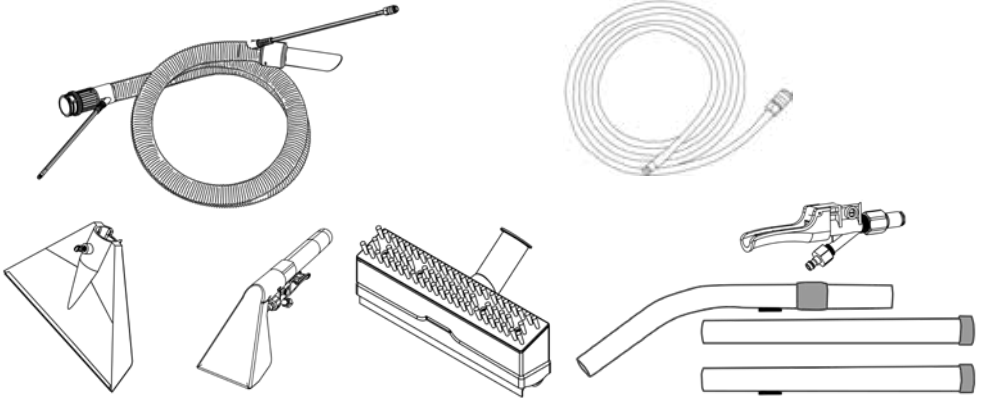
Kit A26A

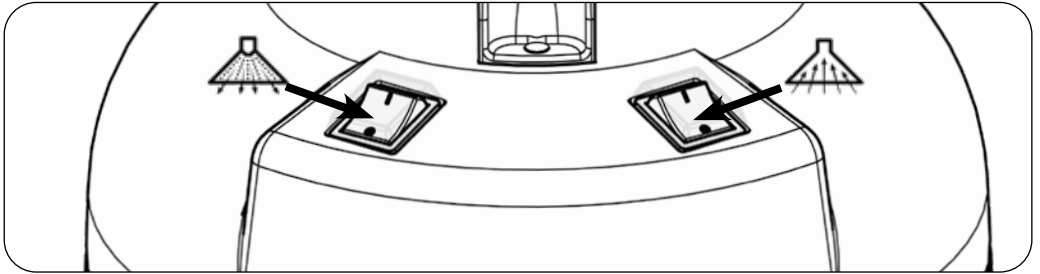
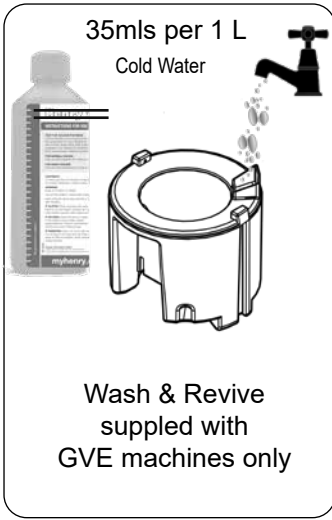
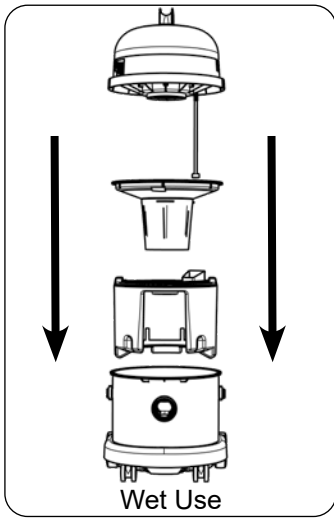


Kit A40A

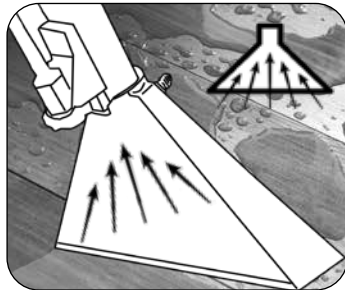
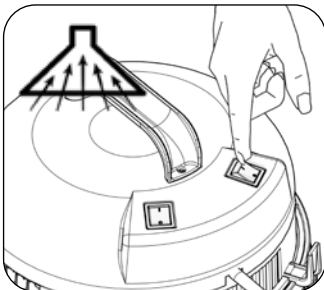
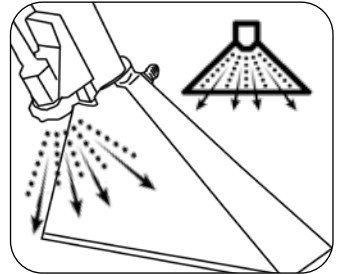
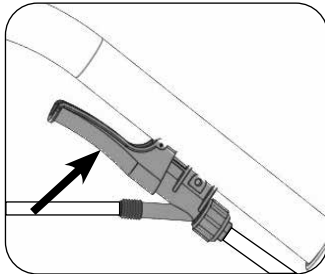
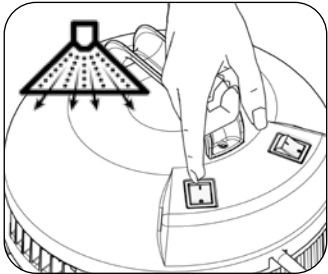


Wet/Assembling the machine for extraction use

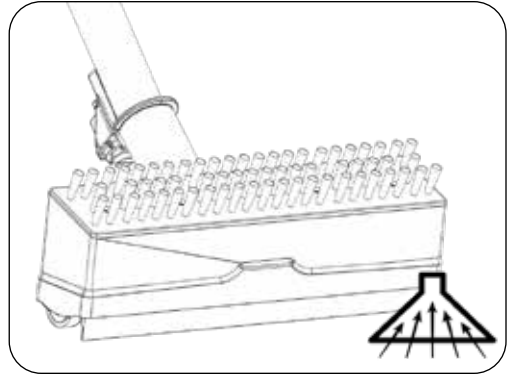
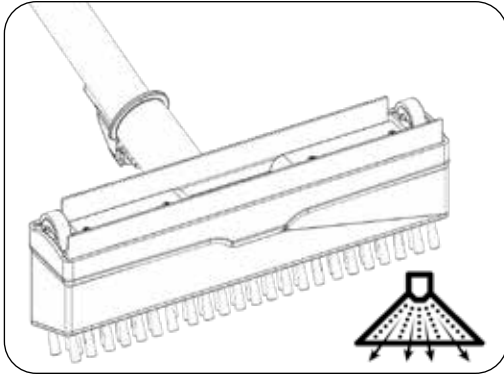




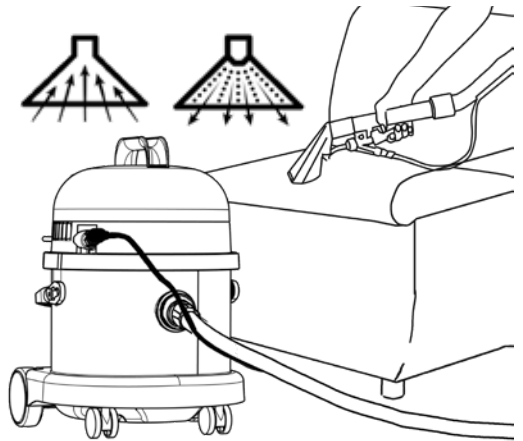
Carpet Cleaning



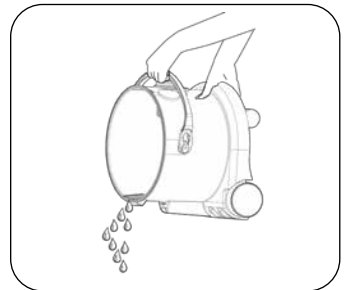
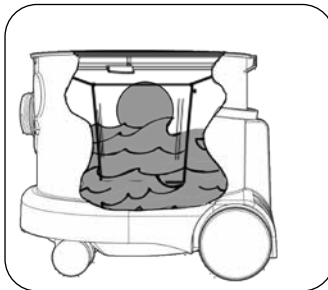
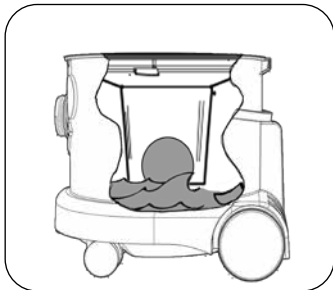
Hard Floor Cleaning



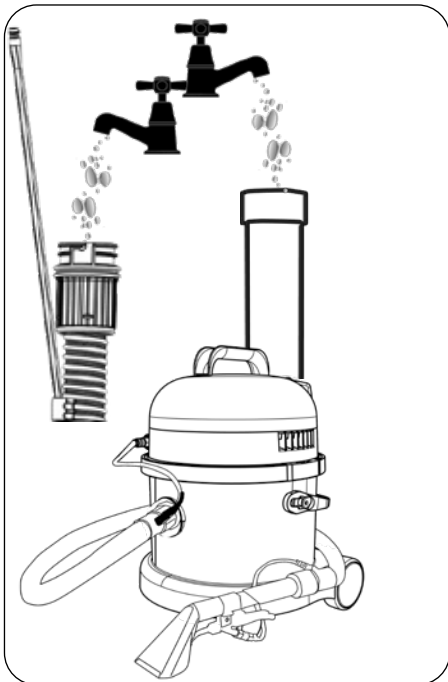
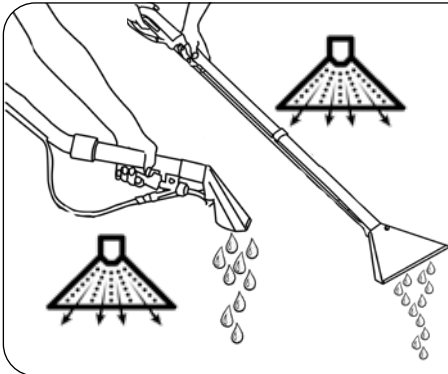
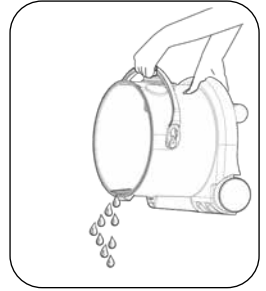
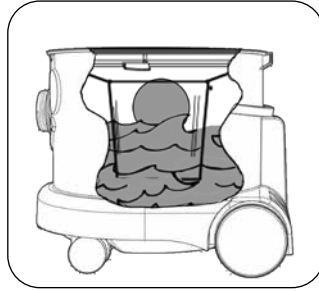
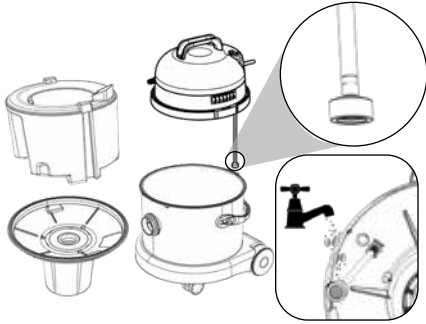
Upholstery Tool



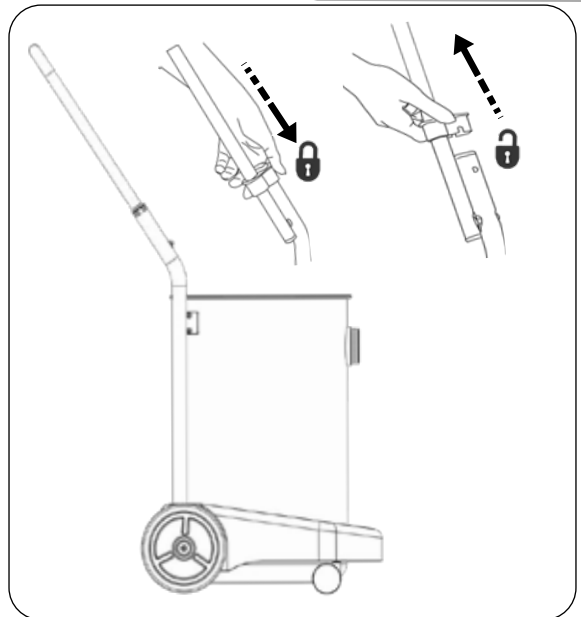
Emptying your machine



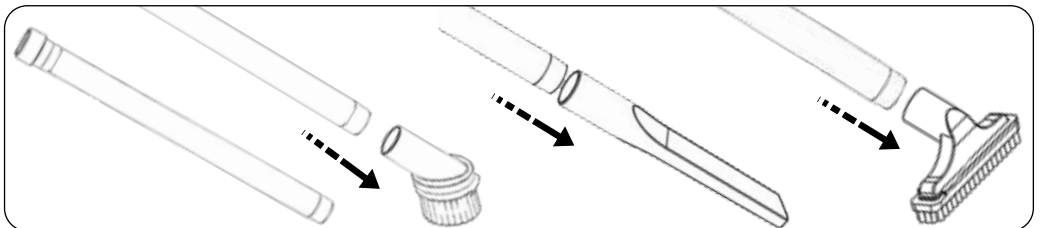
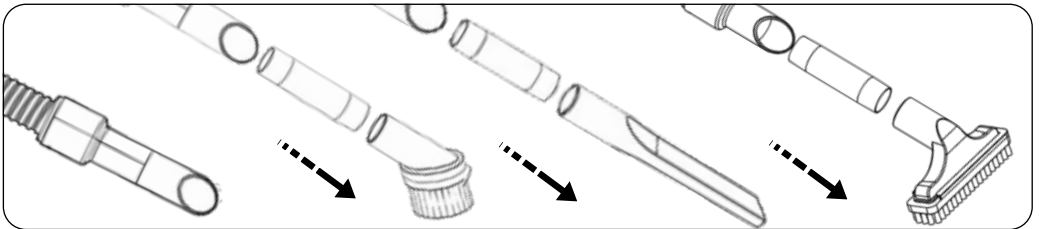
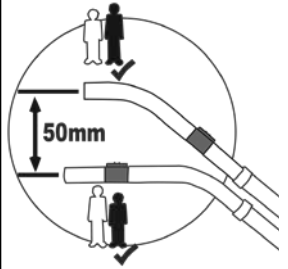
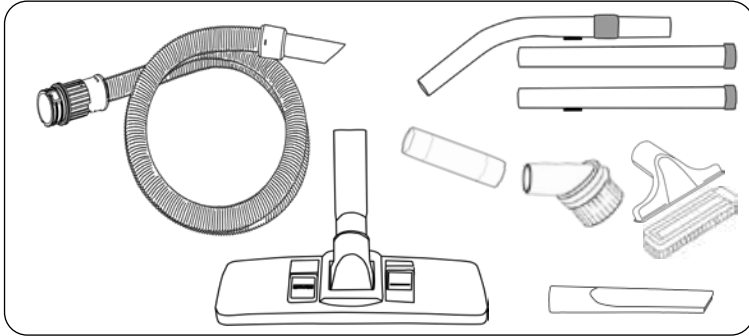
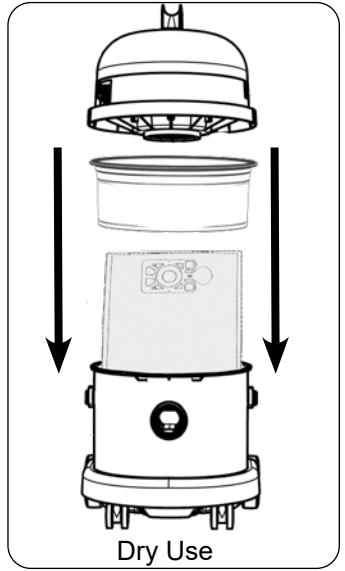
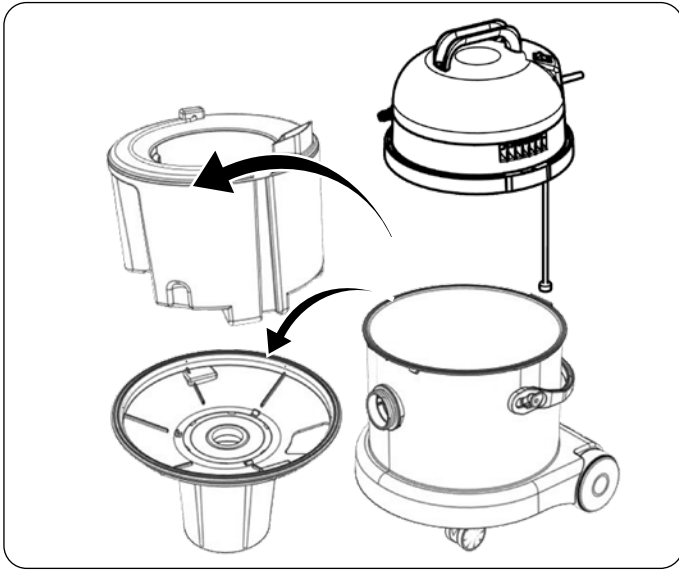
Cleaning the machine



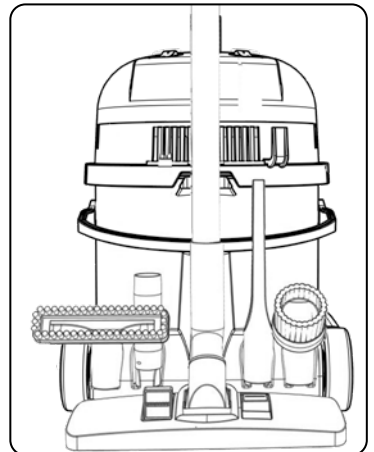
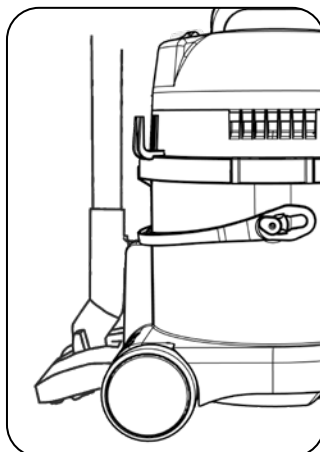
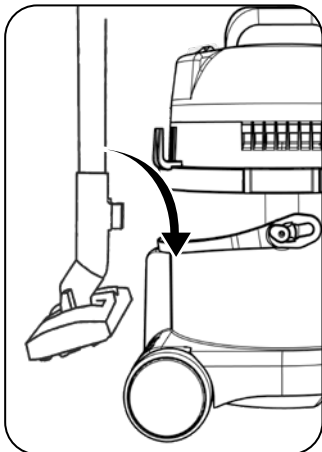
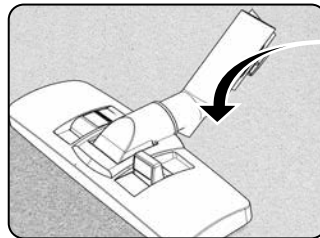
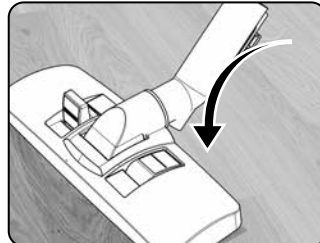
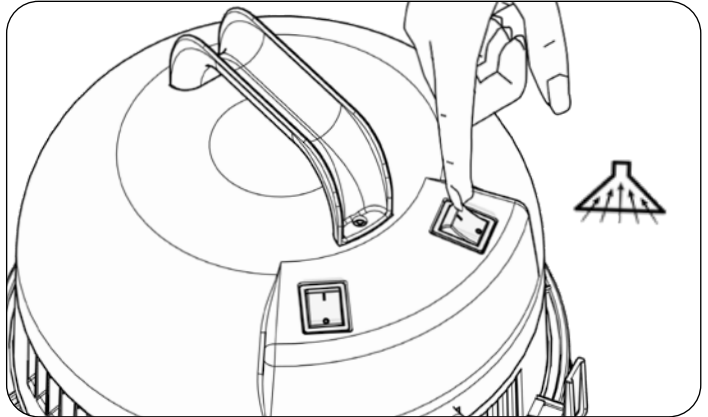
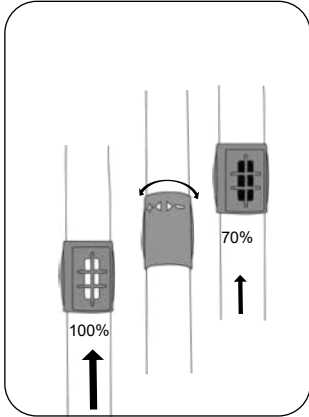
470 Handle Locking



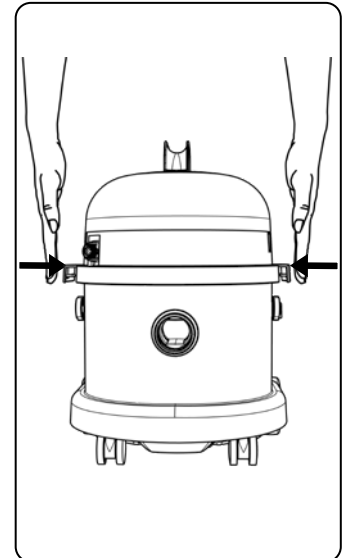
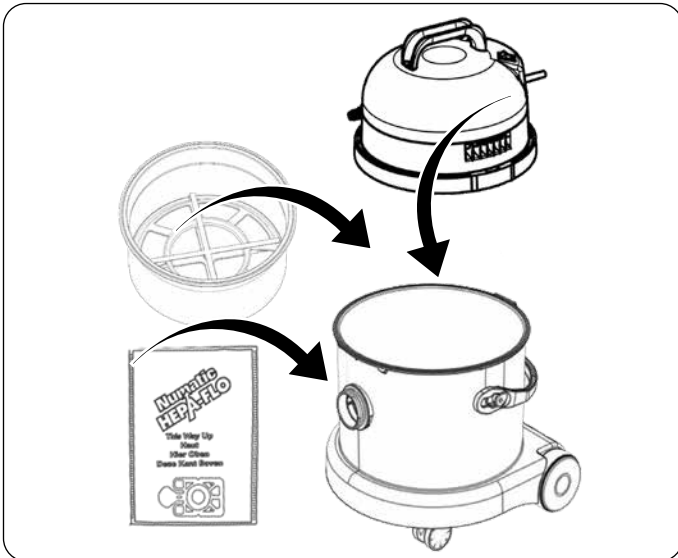
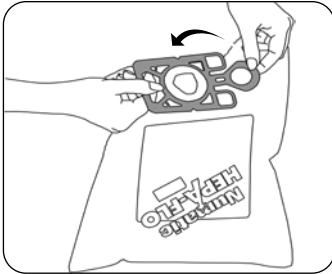
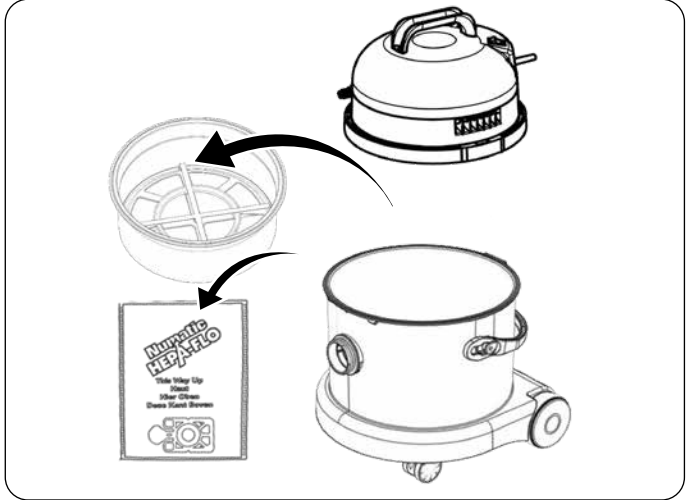
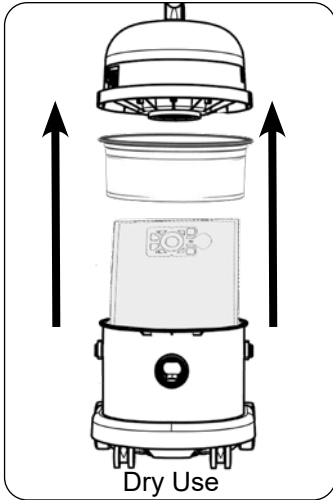
Dry/Assembling the machine



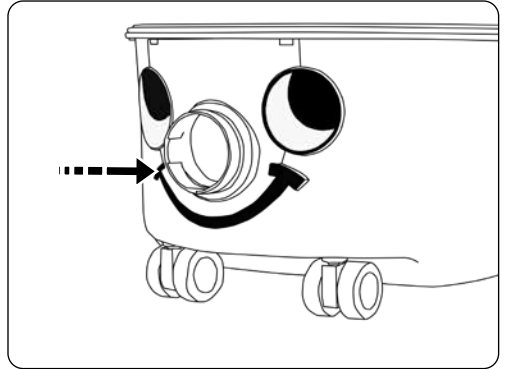
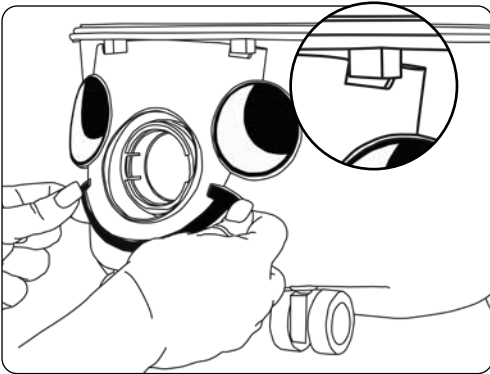
Dry/Using the machine



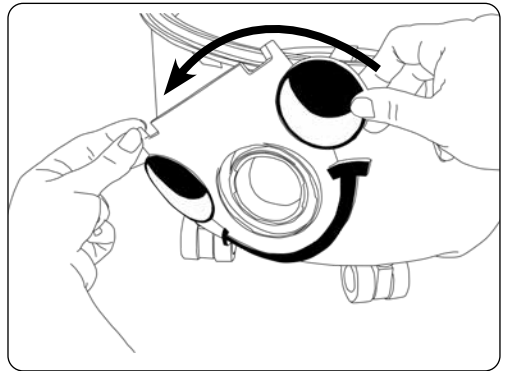
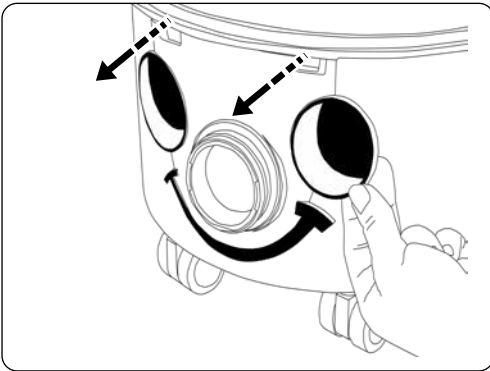
Cleaning the machine



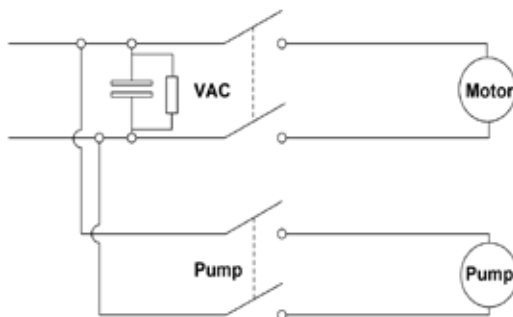
Fitting the Face



Removing the Face



Schematic diagram



TriTex Filter				
604165	TriTex Filter			
HepaFlo Dust Bags			Wash & Revive	
604016	370 / 380 (NVM 2BH) Pack of 10	913961	500ml Sample Bottle of Wash & Revive	
604018	470 (NVM 3AH) Pck of 10	914041	1 L Sample Bottle of Wash & Revive	

1	Company Name & Address
2	Model
3	Voltage/Alternating Current
4	Frequency
5	Rated Input Power
6	Weight
7	MAX Pressure
8	Ingress Protection
9	WEEE Logo
10	Protection Class 2 Symbol
11	Approval Mark
12	Machine yr/wk Serial Number

(EN) About your machine

Daily

Keep the machine clean, including hoses and tubes.
Ensure the bag and filter are fitted, (Dry use).
Empty dust bag if required.
Clean and check float safety valve for signs of damage.
Regularly examine the power cord.
Check filters are clean.

Weekly - as daily and:-

Check for any worn or damaged parts and replace immediately.

MAINTENANCE

WEEE Legislation (Waste, Electrical and Electronic Equipment)

Vacuum cleaner, accessories and packaging should be sorted for environmentally - friendly recycling.

(Only for UK/EU Countries)

Do not dispose of vacuum cleaner into household waste! According to the European Directive 2012/19/EU on waste electrical and electronic equipment and its incorporation into national law.

Vacuum cleaners that are no longer suitable for use must be separately collected and sent for recovery in an environmentally - friendly manner.



PPE (personal protective equipment). That may be required for certain operations.

Ear Protection	Safety Footwear	Head Protection	Safety Gloves	
				Caution Floor Sign
Eye Protection	Protective Clothing	Dust / Allergens Protection	Hi Viz Jacket	

NOTE: A risk assessment should be conducted to determine which PPE should be worn.

Failure to rectify the problem or in the event of a breakdown contact your Numatic dealer or the Numatic Technical helpline +44 (0)1460 269268

Safety Critical Components

Mains leads:

H05-VV-F 10 m x 2 Core x 1.00 mm²

Information for Spray / Extraction use Vacuum Cleaners

Warning

Read the instruction manual before using the machine.

Operators shall be adequately instructed on the use of these machines.

As with all electrical equipment, care and attention must be exercised at all times during use, in addition to ensuring that routine and preventative maintenance is carried out periodically to ensure safe operation. Failure to carry out maintenance as necessary, including the replacement of parts to the correct standard could render this equipment unsafe and the manufacturer can accept no responsibility in this respect.

The machine shall be disconnected from the mains by removing the plug from the power supply socket during cleaning or maintenance and when replacing parts or converting the machine to another function.

This machine is not to be used by children or persons with reduced physical, sensory or mental capabilities, or lack of experience or knowledge.

Children being supervised are NOT to play with the machine.

This appliance is intended to be assembled, cleaned and maintained by an adult.

This machine is not a toy.

This machine is not suitable for picking up hazardous or explosive dust. Contact your local distributor if you require a machine capable of performing these tasks.

If foam/liquid comes out of machine exhaust, switch off immediately.

Allow the accumulated liquid to drain out through the machine exhaust, check the float assembly to ensure correct operation, empty the container if full of liquid, reassemble the machine.

Immediately upon start up there will be a certain amount of liquid issuing from the machine exhaust which will be the residue of liquid still within the power head. This will be quickly discharged after which the machine should function normally.

Liquid ejected from the machine could be hazardous as a result of its temperature, pressure or chemical content.

Caution

Ensure that the filtration system fitted to the machine is suitable for the material being collected.

This machine is for indoor use only.

This machine shall be stored indoors only.

When moving from one place to another, consider the weight of the machine.

Notes

You must ensure that the filtration system fitted to the machine is suitable for the material being collected.

This product complies with the requirements of IEC/EN 60335-2-68.

This product complies with the requirements of clause 20 of IEC/EN 60335-2-69 for Stability and Mechanical Hazards.

The primary use for this machine is commercial, for example in hotels, schools, hospitals, factories, shops and offices.

If the vacuum cleaner stops working, remove the plug from the power supply before investigating where the fault lies.

The vacuum cleaner should be inspected after use for damage.

The power light will illuminate, when your machine is connected to a suitable power supply (where fitted).

Do

- Use a bag and filter at all times when using 'dry'.
- Keep your machine clean.
- Keep filters clean.
- Regularly clean the water level limiting float safety valve and examine for signs of damage or correct operation.
- Keep hoses and tubes clear.
- Replace any worn or damaged parts immediately.
- Regularly examine the power cord, if damage is found, power cord must be replaced by a qualified person using the correct Numatic original part.

Don't

- Use steam cleaners or pressure washers to clean the machine or use the machine in the rain.
- Immerse in water for cleaning.
- Allow any inexperienced repairs. Call the experts.
- Use wet if float valve is not functioning or fitted.
- Use to suck up hot ashes, or lighted cigarette ends.
- Run the machine over the power cable during operation as a hazard may occur.
- Pull on the cable to unplug the machine from the power supply.
- Walk over-wet carpets, upholstery or fabrics.
- Walk on clean carpets until fully dry.
- Attempt machine maintenance or cleaning unless the power supply plug has been removed from the supply outlet.
- Under any circumstances place foreign objects including (but not limited to) air fresheners, air freshener capsules or scented beads of any type into the top filter of the machine. Doing so can be dangerous and risk damage to the machine and may invalidate the machine warranty.

This machine can be used for dry pick up, wet pick up and cleaning carpet and upholstery

Spray extraction machines only

- Use only approved cleaning preparations.
- Use defoamer if necessary.

Use of detergents

When using any detergent with this machine, please ensure you have read the safety data on the container and you are familiar with the procedures to clear up spills, inhalation, skin and eye contact.

Dry Mode maintenance/fault finding

If the vacuum cleaner stops working switch off and remove the plug from the power supply before investigating where the fault lies.

If the vacuum cleaner will not pick up any debris from the surface, switch off and remove the plug from the power supply, inspect the floor tool, wands and hose for blockages, if no blockages are found, the dust bag may be full if the dust bag is not full the filter may be blocked.

Wet mode / Spray extraction maintenance/fault finding

If the vacuum cleaner stops working switch off and remove the plug from the power supply before investigating where the fault lies.

If the vacuum cleaner has a blockage and will not pick up liquid, switch off and remove the plug from the power supply, has the float valve operated, this will shut off the suction and the pitch of the vacuum motor will change.

Remove the power head and empty the liquid out of the container, if the container is empty, check that the floor tool wands and hose are not blocked.

If the spray nozzle is blocked a pin maybe used to clear the blockage.

No spray from nozzle and the pump tone changes, the solution tank is empty, refill the solution tank.

Flush the system with clean water after use.

After use always inspect the machine for damage.

Henry Wash & Revive, provided with GVE machines only.

INSTRUCTIONS FOR USE

TEST FOR COLOUR FASTNESS

Find a small area on the material which is not normally on view and test the carpet / fabric for colour fastness by rubbing with a cloth dampened with correctly diluted Henry Wash & Revive.

Do not use on velvet type materials or any materials not suitable for wet cleaning according to fabric manufacturers cleaning instructions.

For Normal soiling: Pour 175ml measure into 5 litres of cold water.

Any alternative solution used must have identical composition.

Dispose of solution in accordance with local regulations.

Henry Wash & Revive
All-in-One Extraction Cleaner

Contains:

Less than 5%
amphoteric surfactants & anionic surfactants

Contains:- Bronopol, Perfume

Motor	AirFlo	Suction	Cleaning Range		Class
1000W	49 L/sec	2400mm	26.8m		II
Capacity Dry	Capacity Wet	Solution Tank	Size (mm)	Sound Pressure (LpA) Uncertainty (KpA)	Weight
370: 15 L 380: 15 L 470: 27 L	370: 9 L 380: 9 L 470: 20 L	370: 6 L 380: 6 L 470: 15 L	370: 360x370x510 380: 360x370x510 470: 360x370x710	78.6 dB (A) (Dry) 78.7 dB (A) (Wet) 0.5 dB	370: 11 kg 380: 11 kg 470: 12 kg

Numatic International Warranty

Numatic International Limited warrant to the original purchaser that its products are free of defects in both material or workmanship for the period shown below:-

Homecare and Cleancare Vacuum cleaners.....	2 Years
Rotary Floor Machines.....	2 Years
Twintec Auto Scrubber Dryer.....	1 Year
Vario Ride-On Scrubber Dryer.....	1 Year / 1500 hours
Mopping, Compacts, Combi and Servocare Products.....	1 Year
Individual Accessories and Spare Parts.....	6 Months

Note: This warranty expressly excludes consumable parts such as carbon brushes, floor brushes, mops, batteries etc, that are considered replaceable from time to time during the normal working life of the machine.

Using non Numatic dustbags can be detrimental to both machine performance and life and may invalidate the Warranty.

A. The warranty period commences from the date the goods are purchased.

B. All warranty claims must be processed through the Dealer from whom the equipment was purchased. The Dealer will co-operate with the purchaser throughout the warranty claims procedure and will arrange any necessary repairs using genuine Numatic parts.

C. If the original Dealer is no longer able to fulfil his obligations please contact Numatic International Limited with full details of the claim and proof of purchase so that this may be processed without delay.

D. Any warranty claim can only relate to the specific part that is proven to be at fault and for which a replacement will be supplied but cannot be extended to constitute a claim against the complete machine.

E. Numatic International will supply the Dealer with any warranty parts required, subject to the claim being validated, after return of the faulty items in accordance with Numatic International Limited's General Conditions of Sale.

F. Claims will not be accepted if they are the result of fair wear and tear, misuse or abuse of any kind.

G. No replacement will be given unless the appropriate evidence of the validity of the claim has been provided to the satisfaction of Numatic International Limited.

H. Numatic International Limited reserve the right to charge for any unnecessary work carried out as a result of an invalid claim.

I. No variation to this warranty may be made or implied by any member of Numatic International Limited or its Dealers unless such variation is in writing and authorised by the Company

Numatic

Numatic International Limited. Chard, Somerset, TA20 2GB

Telephone: 01460 68600 Fax: 01460 68458

© Numatic International Limited

UKCA Declaration of Conformity	
Manufacturer:	Numatic International Limited Chard Somerset TA20 2GB www.numatic.co.uk
Product:	GVE, CT, CTT, HWW
Description:	Vacuum Cleaner – Commercial – Spray Extraction, Wet & Dry
<p>We, Numatic hereby declare under our sole responsibility, that the above-mentioned product(s) is/are in conformity with the following directives and standards.</p>	
S.I. 2008: 1597	<p>Supply of Machinery Regulations</p> <p>EN60335-1:2012 + AC:2014 + A11:2014 + A13:2017 + A15:2021</p> <p>EN60335-2-68:2012</p> <p>EN60335-2-69:2012</p> <p>EN62233:2008</p>
S.I. 2016: 1091	<p>EMC Regulations</p> <p>EN55014-1:2017 + A11:2020</p> <p>EN55014-2:1997 + A1:2001 + A2:2008</p> <p>EN61000-3-2:2014</p> <p>EN61000-3-3:2013</p>
S.I. 2012: 3032	<p>RoHS Regulations</p>

Authorised Signatory: Mr. Matthew Coles

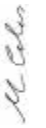
Position: Head of Technology
Chard,
Somerset, TA20 2GB, UK

Signed:  Date: 2nd February 2024

EU, EC, EL, UE, ES:	Declaration of Conformity	Декларация за съответствие	Declaratie de conformitate	Декларација за усогласност
EN	We, Numatic hereby declare under our sole responsibility, that the above-mentioned product(s) is/are in conformity with the following directives and standards.	EN Ние, Numatic С неслухаемо одговорност, дека горенаведениот производствено означен производствено изделие е во согласност со следните директиви и стандарти.	EN Hier, Numatic is verantwoordelijk voor de juistheid van de informatie die ik hierin vermeld. Het is mijn verantwoordelijkheid dat het hierboven beschreven product aan de volgende richtlijnen en normen voldoet.	PT Nós, a Numatic declaramos, sob a nossa inteira responsabilidade, que o produto mencionado está em conformidade com as diretivas e normas a seguir.
CS	My, Numatic prohlašujieme na svou vlnou odpovědnost, že výše uvedený výrobek je v souladu s následujícími směrnici a normami.	CS Mý, Numatic prohlašujieme na svoju vlnou odpoďnosť, že výše uvedený výrobok je v súlade s následujúcimi smernicami a normami.	EL Εγώ, η Numatic δηλώνω με την αποκλειστική μου ευθύνη, ότι το παραπάνω προϊόν συμμορφώνεται με τις ακόλουθες οδηγίες και πρότυπα.	PL My, Numatic Należyem oświadczamy z pełną odpowiedzialnością, że wyżej wymieniony produkt jest zgodny z następującymi dyrektywami i normami.
DE	Wir, Numatic erklären in alleiniger Verantwortung, dass das oben genannte Produkt den folgenden Richtlinien und Normen entspricht.	DE Wir, Numatic erklären in alleiniger Verantwortung, dass das oben genannte Produkt den folgenden Richtlinien und Normen entspricht.	HU Mi, Numatic kijelentjük egyedüli felelősséggel, hogy a fent említett termék megfelel az alábbi irányelveknek és szabványoknak.	RO Noi, Numatic afirmăm cu răspundere deplină că produsul menționat este în conformitate cu următoarele standarde și directive.
DA	Vi, Numatic erklærer hermed under eget ansvar at ovennævnte produkt(er) er i overensstemmelse med følgende direktiver og standarder.	DA Vi, Numatic erklærer hermed under eget ansvar at ovennævnte produkt(er) er i overensstemmelse med følgende direktiver og standarder.	LT Mes, "Numatic" pareiškiu vienatikiškos atsakomybės, kad pirmiau minėtas produktas atitinka šias direktyvas ir standartus.	RU Мы, Ниегчис овам нямаемым моа нмем одарспнелм, да нааегамер нмем нмемчонанн ест ем конформнате деравнмава и стандартана.
ET	Meie, Numatic vastutame selle eest, et ülalnimetatud toote on vastavalt järgmistele direktiividele ja standarditele.	ET Meie, Numatic vastutame selle eest, et ülalnimetatud toote on vastavalt järgmistele direktiividele ja standarditele.	NO Vi, Numatic erklærer hermed under eget ansvar, at det ovennævnte produkt er i samsvar med følgende direktiver og standarder.	SV Vi, Numatic förklarar härmed under eget ansvar att ovan nämnda produkt överensstämmer med följande direktiv och normer.
FI	Me, Numatic vakuutamme omalla vastuulla, että edellä mainittu tuote on yhdenmukainen seuraavien direktiivien ja standardien mukaisesti.	FI Me, Numatic vakuutamme omalla vastuulla, että edellä mainittu tuote on yhdenmukainen seuraavien direktiivien ja standardien mukaisesti.	SK My, Numatic tuhlasujeme s plnou zodpovednosťou, že tu uvedený výrobok je v súlade s nasledujúcimi smernicami a normami.	SL Mi, Numatic izjavljamo s polno odgovornostjo, da je zgoraj omenjeni proizvod skladen s spodaj naštetimi direktivami in standardi.

Manufacturer:	Numatic International Limited Chard Somerset TA20 2GB www.numatic.co.uk
Product:	GVE, CT, CTT, HWW
Description:	Vacuum Cleaner – Commercial – Spray Extraction, Wet & Dry

EU, EC, EL, UE, ES:	Machinery Directive	EN60335-1:2012 + AC:2014 + A11:2014 + A13:2017 + A15:2021
EN	We, Numatic hereby declare under our sole responsibility, that the above-mentioned product(s) is/are in conformity with the following directives and standards.	EN60335-2-69:2012 EN60335-2-68:2012 EN62233:2008
CS	My, Numatic prohlašujieme na svou vlnou odpovědnost, že výše uvedený výrobek je v souladu s následujícími směrnici a normami.	EN55014-1:2017 + A11:2020 EN55014-2:1997 + A1:2001 + A2:2008 EN61000-3-2:2014 EN61000-3-3:2013
DE	Wir, Numatic erklären in alleiniger Verantwortung, dass das oben genannte Produkt den folgenden Richtlinien und Normen entspricht.	
DA	Vi, Numatic erklærer hermed under eget ansvar at ovennævnte produkt(er) er i overensstemmelse med følgende direktiver og standarder.	
ET	Meie, Numatic vastutame selle eest, et ülalnimetatud toote on vastavalt järgmistele direktiividele ja standarditele.	
FI	Me, Numatic vakuutamme omalla vastuulla, että edellä mainittu tuote on yhdenmukainen seuraavien direktiivien ja standardien mukaisesti.	

Authorised Signatory:	Mr. Matthew Coles
Position:	Head of Technology Numatic International Limited Chard, Somerset, TA20 2GB, UK
Signed:	 Date: 2 nd February 2024

Numatic

numatic.com

Numatic International Limited (Head Office)

Chard, Somerset TA20 2GB, UNITED KINGDOM
Tel: 01460 68600 numatic.com

Numatic International GmbH

Fränkische Straße 15-19, 30455 Hannover, DEUTSCHLAND
Tel: +49 (0) 511 984 2160 numatic.de

Numatic International Denmark

Fränkische Straße 15-19, 30455 Hannover, DEUTSCHLAND
Tel: +45 (0) 316 40808 numatic-online.dk

Numatic International S.A.S

13/17 rue du Valengelier, EAE la Tuilerie, 77500 Chelles, FRANCE
Tel: +33 (0) 164 726 161 numatic.fr

Numatic International BV

Vennootsweg 15, 2404 CG, Alphen aan den Rijn, NEDERLAND
Tel: +31 (0) 172 467 999 numatic.nl

Numatic International Schweiz AG.

Sihlbruggstrasse 3A, 6340 Baar, SCHWEIZ
Tel: +41 (0) 41 768 0760 numatic.ch

Numatic International (PTY) Ltd.

Cnr. 16th & Pharmaceutical Road, Randjes Park, Midrand 1685, SOUTH AFRICA
Tel: +27 (0) 861 686 284 numatic.co.za

Numatic International ULDA

Rua Francisco da Silva Duarte, nº79,
4475-269 Santa Maria de Avioso, Castelo da Maia, PORTUGAL
Tel: +351 220 047 700 numatic.pt

NUMATIC INTERNATIONAL SPAIN, S.L.U.

Av. Baix Llobregat, 5-7, Oficina bajos 1 (Parc Negocis Mas Blau II),
08820 El Prat de Llobregat (Barcelona) SPAIN
Tel: +34 93 647 22 22 numatic.es

Numatic International Italy S.R.L

Via Luigi Galvani, 2, Z.I. Talponedo, 33080 Porcia (PN), ITALY
Tel: +39 (0) 434 046 211 numatic.it

Specification subject to change without prior notice
numatic.com © Numatic International Limited