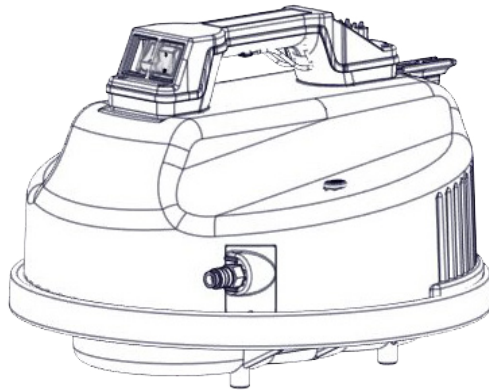
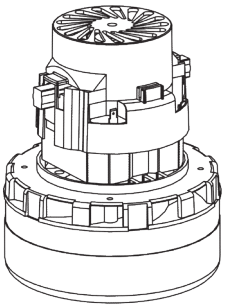


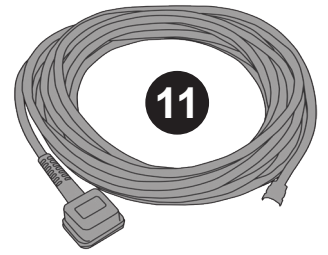
# CT900 CTD900 Exploded Spares

Carpet Extraction Vacuum

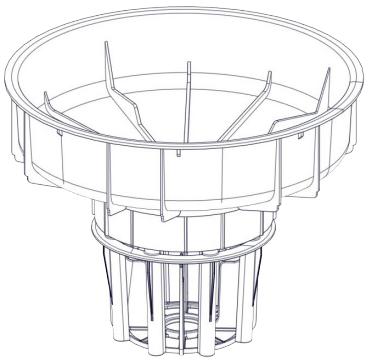
1



11



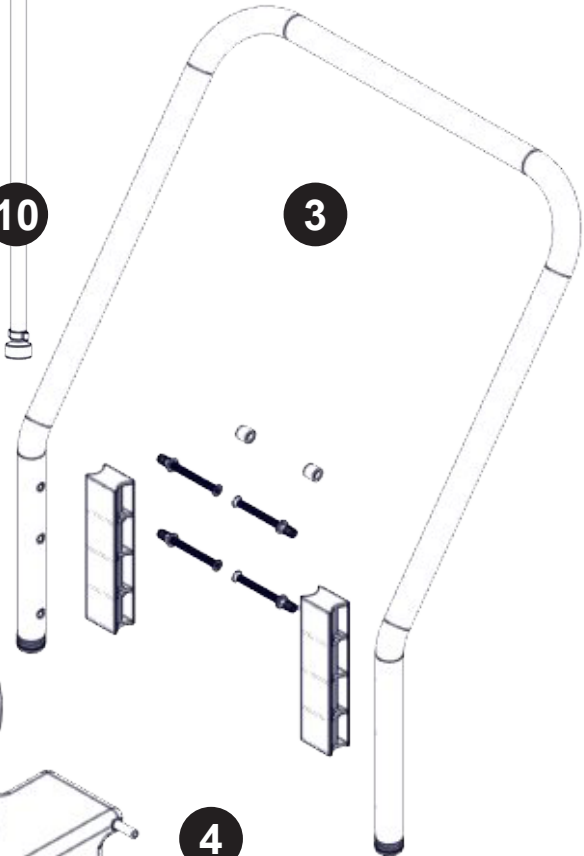
8



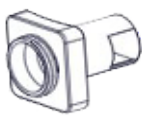
10



3



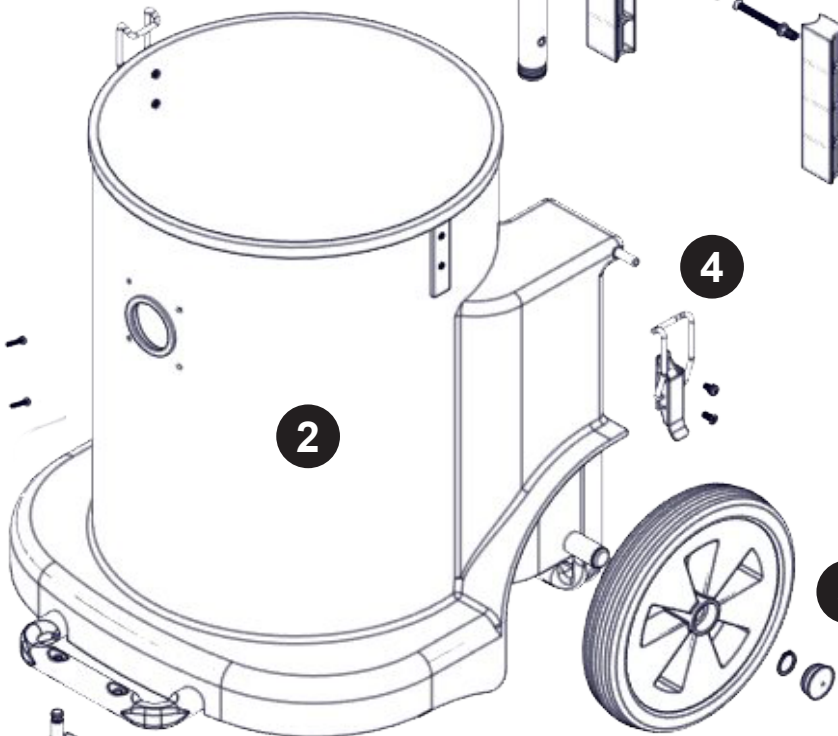
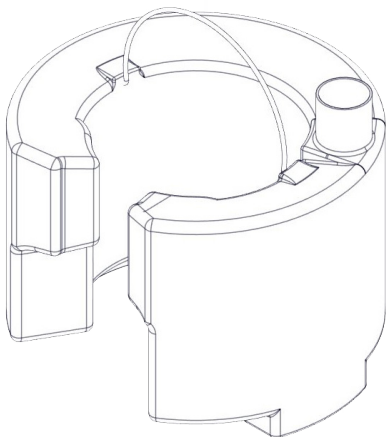
6



4

9

2



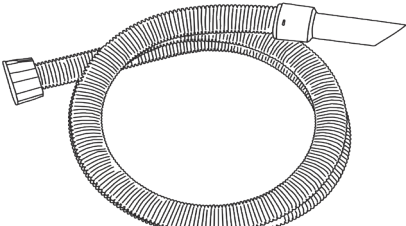
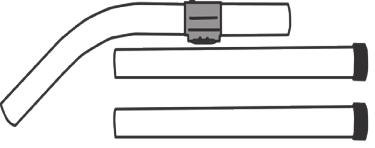
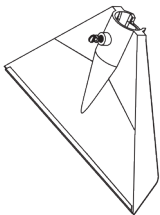
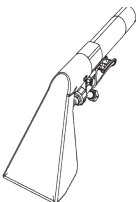
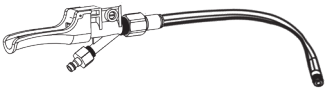
5

7



<b>Num</b>	<b>Description</b>	<b>Num</b>
1	240V 2 STAGE D.I BYPASS MOTOR ASSY (BL21104) (14 INCH WV/CT/NT)	<b>323016</b>
	230V 2 STAGE D.I BYPASS ACUSTEK MOTOR 1200W (BL21104)	<b>205411</b>
	120V 2 STAGE D.I BYPASS ACUSTEK MOTOR (BL21101)	<b>205409</b>
2	CT900 BLUE DRUM ASSEMBLY C/W FLANGE NECK WITH BAYONET	<b>500719</b>
3	900 HANDLE ASSEMBLY (INSERTED + END STOPS)	<b>329169</b>
	LOWER HANDLE ASSY (S/S) 900 SERIES	<b>303134</b>
	M6.70MM LG.POZI-PAN.SCREW.Z/PL.C/SUNK	<b>219422</b>
	HANDLE BLOCK SPACER	<b>206128</b>
4	BLACK TOGGLE FASTENER 30-1665 MSBL	<b>206135</b>
	M5x.10MM LG.POZI-PAN.SCREW.Z/PL.SEM	<b>219047</b>
	M5.12MM LG.POZI-PAN.SCREW.Z/PL.C/SUNK	<b>219330</b>
5	10 INCH WHEEL(BLACK/GREY) 20MM BORE	<b>204028</b>
	BLACK PLASTIC CAP 804029	<b>206131</b>
	CIRCLIP A20	<b>219308</b>
6	FLANGE NECK BAYONET	<b>270161</b>
	WET DRY CONNECTOR (LOOSE NECK)	<b>206493</b>
	NO8.5/8 INCH LG.POZI-PAN.SCREW.STAINLESS STEEL.PLASTITE	<b>219370</b>
7	3 INCH STEM FITTING CASTOR	<b>204060</b>
8	CT575/750 FLOAT ASSY (MANUFACTURING)	<b>502030</b>
9	FLUID CONTAINER 900 HEAD (DRILLED + HANDLE)	<b>325160</b>
10	SOLUTION TUBE AND FILTER ASSY CT/CTD750/900 (500MM) [2]	<b>303135</b>
11	10 METRE X 1MM X 2 CORE YELLOW CABLE (SOCKET WITH UK PLUG)	<b>911549</b>
	10.0MT X 1.5MM X 2 CORE YELLOW CABLE (SOCKET + PLUG) EURO	<b>236144</b>
	MAINS CABLE.YELLOW.10000.2m5.2.INDUSTRIAL 32A PLUG.STRIPPED	<b>911743</b>
	10.0MT X 1.5MM X 2 CORE CABLE (SOCKET + PLUG) SOUTH AFRICA	<b>236149</b>

CT Accessories  
(607144 Kit A41A)

Image Reference	Item Description	Part Number	Item Quantity
	4m CleanTec Extraction Hose	601399	1
	Extraction Bend Tube Lower Extraction Tube Straight Tube	601009 601006 601008	1
	Aluminium Fish Tail Extraction Tool	601423	1
	Upholstery Tool	601225	1
	Trigger + Solution tube	601968	1

Numatic International Limited. Chard, Somerset TA20 2GB  
ENGLAND Tel: 01460 68600 [www.numatic.co.uk](http://www.numatic.co.uk)

Numatic International GmbH. Fränkische Straße 15–19. D-30455 Hannover,  
DEUTSCHLAND Tel: 05 11 98 42 16 0 [www.numatic.de](http://www.numatic.de)

Numatic International SAS. 13 / 17 rue du Valengelier. EAE La Tuilerie – 77500  
CHELLES, FRANCE Tel: 01 64 72 61 61 [www.numatic.fr](http://www.numatic.fr)

Numatic International BV. Vennootsweg 15, 2404 CG, Alphen aan den Rijn,  
NEDERLAND Tel: 0172 467 999 [www.numatic.nl](http://www.numatic.nl)

Numatic International (Pty.) Ltd. 16th & Pharmaceutical Roads, Midrand, Gauteng,  
SOUTH AFRICA 1685 Tel: 0861 686 284 [www.numatic.co.za](http://www.numatic.co.za)

Numatic International Schweiz AG. Sihlbruggstrasse 3A, 6340 Baar.  
SCHWEIZ Tel: 0041 (0) 41 76 80 76 - 0 [www.numatic.ch](http://www.numatic.ch)

Numatic International ULDA. Rua da Boa Viagem, 177. 4470.210 Maia.  
PORTUGAL Tel: +351 220 047 700 [www.numatic.pt](http://www.numatic.pt)

Numatic International SLU. C/ La Forja, 41, 08840 Viladecans. (Barcelona),  
SPAIN Tel: +34 93 647 22 22 [www.numatic.es](http://www.numatic.es)

Numatic International DENMARK. Fränkische Straße 15–19. D-30455 Hannover,  
DEUTSCHLAND Tel: 05 11 98 42 16 0 [www.numatic-online.dk](http://www.numatic-online.dk)