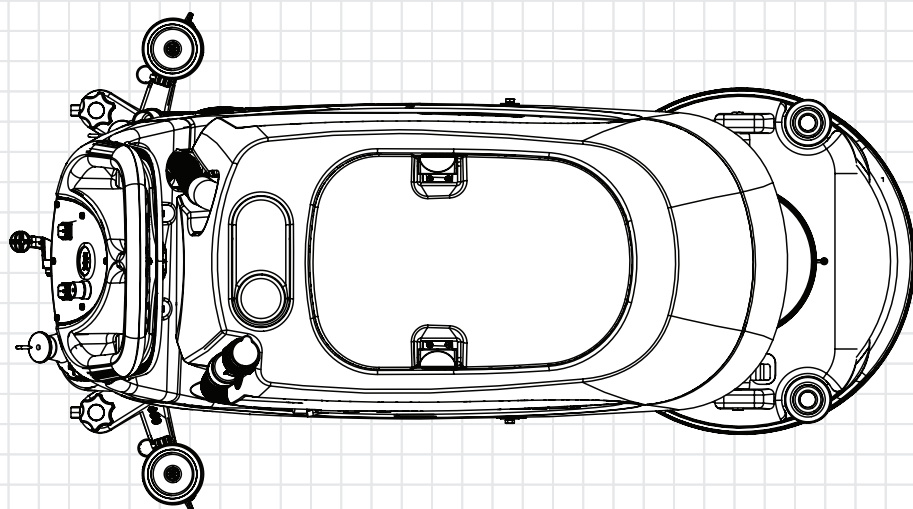
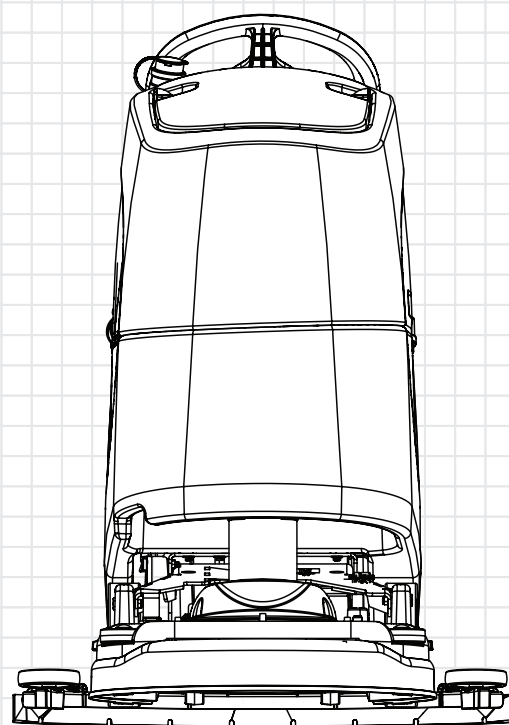
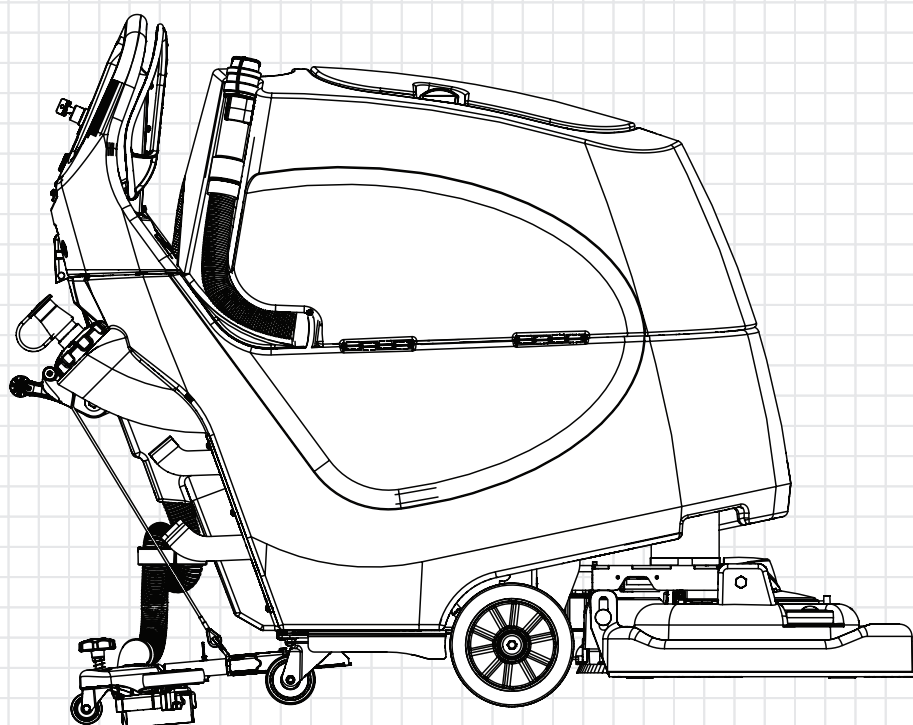


TBL6055



Service Engineer Exploded Drawings



DISCLAIMER:

These drawings are for part order reference only and intended for service engineers use.

The installation of Genuine Numatic spare parts should only be executed by Certified Numatic service engineers who specialised and familiar with all relevant safety regulations.

Numatic International Ltd do not accept responsibility or liability for any loss or damage to property or person if repairs or servicing of products are carried out by non-certified persons.

Specifications and parts are subject to change without notice.

HAFTUNGSAUSSCHLUSS:**DE**

Diese Zeichnungen dienen nur als Referenz für Teilebestellungen und sind nur für den Gebrauch durch Servicetechniker bestimmt.

Die Montage von originalen Numatic-Ersatzteilen darf nur von zertifizierten Numatic-Servicetechnikern ausgeführt werden, die mit allen relevanten Sicherheitsvorschriften vertraut sind.

Numatic International Ltd übernimmt keine Verantwortung oder Haftung für Verluste oder Schäden an Eigentum oder Personen, wenn Reparaturen oder Wartungsarbeiten an Produkten von nicht zertifizierten Personen durchgeführt werden.

Technische Daten und Teile können ohne vorherige Ankündigung geändert werden.

CLAUDE DE NON-RESPONSABILITÉ:**FR**

Ces schémas sont fournis à titre de référence de commande de pièces uniquement et sont destinés aux techniciens de maintenance.

L'installation de pièces de rechange Numatic d'origine doit être effectuée uniquement par des techniciens de maintenance Numatic certifiés spécialisés et familiarisés avec toutes les règles de sécurité applicables.

Numatic International Ltd décline toute responsabilité en cas de perte ou de dommage matériel ou personnel si des réparations ou l'entretien des produits sont effectués par des personnes non certifiées.

Les spécifications et les pièces sont susceptibles d'être modifiées sans préavis.

DISCLAIMER:**NL**

Deze tekeningen zijn uitsluitend bedoeld als referentie voor het bestellen van onderdelen en voor gebruik door servicemonteurs.

De installatie van originele reserveonderdelen van Numatic mag alleen worden uitgevoerd door gecertificeerde servicemonteurs van Numatic die gespecialiseerd zijn en bekend zijn met alle relevante veiligheidsvoorschriften.

Numatic International Ltd aanvaardt geen verantwoordelijkheid of aansprakelijkheid voor verlies of schade aan eigendommen of personen als reparaties of onderhoud aan producten worden uitgevoerd door niet-gecertificeerde personen.

Specificaties en onderdelen kunnen zonder voorafgaande kennisgeving worden gewijzigd.

RENÚNCIA DE RESPONSABILIDADE:**PT**

Estes desenhos servem apenas como referência para a encomenda de peças e destinam-se a ser utilizados pelos técnicos de assistência.

A instalação de peças sobresselentes genuínas da Numatic só deve ser efetuada por técnicos de assistência certificados da Numatic que se especializem e familiarizem com todos os regulamentos de segurança relevantes.

A Numatic International Ltd não aceita qualquer responsabilidade por perdas ou danos materiais ou pessoais se as reparações ou a manutenção dos produtos forem efetuadas por pessoas não certificadas.

As especificações e as peças estão sujeitas a alterações sem aviso prévio.

ESCLUSIONE DI RESPONSABILITÀ:**IT**

Questi disegni sono forniti solo come riferimento per l'ordine dei componenti e sono destinati all'uso da parte dei tecnici dell'assistenza.

L'installazione di ricambi originali Numatic deve essere eseguita esclusivamente da tecnici dell'assistenza certificati Numatic specializzati e a conoscenza di tutte le norme di sicurezza pertinenti.

Numatic International Ltd non si assume alcuna responsabilità per eventuali perdite o danni alla proprietà o alle persone se le riparazioni o la manutenzione dei prodotti vengono eseguite da persone non certificate.

Le specifiche e le parti sono soggette a modifiche senza preavviso.

EXENCIÓN DE RESPONSABILIDAD:**ES**

Estos esquemas solo se muestran como referencia para pedir piezas y para su uso por parte de ingenieros de mantenimiento.

La instalación de recambios originales de Numatic solo deben realizarla los ingenieros de mantenimiento homologados de Numatic que estén especializados y familiarizados con las normativas de seguridad pertinentes.

Numatic International Ltd no acepta la responsabilidad de cualquier pérdida o daño a la propiedad o a las personas si las reparaciones o el mantenimiento de los productos se llevan a cabo por personas sin certificación.

Las especificaciones y piezas están sujetas a cambios sin previo aviso.

ZASTRZEŻENIE:**PL**

Rysunki te służą wyłącznie do celów referencyjnych podczas zamawiania części i są przeznaczone do użytku przez inżynierów serwisowych.

Montaż oryginalnych części zamiennych Numatic powinien być wykonywany wyłącznie przez certyfikowanych serwisantów firmy Numatic, którzy posiadają odpowiednie kwalifikacje i znają wszystkie odpowiednie przepisy bezpieczeństwa.

Firma Numatic International Ltd nie ponosi odpowiedzialności za jakiegokolwiek straty lub szkody majątkowe i osobiste, jeśli naprawy lub serwisowanie produktów są przeprowadzane przez osoby nieposiadające certyfikatu.

Dane techniczne i części mogą zostać zmienione bez powiadomienia.

FRISKRIVNINGSKLAUSUL:**SV**

Dessa ritningar är endast avsedda för referens vid beställning av reservdelar och är avsedda för servicetekniker.

Installation av originalreservdelar från Numatic får endast utföras av certifierade Numatic-servicetekniker som specialiserar sig på och känner till alla relevanta säkerhetsföreskrifter.

Numatic International Ltd påtar sig inget ansvar för förlust eller skada på egendom eller person om reparationer eller service av produkter utförs av icke-certifierade personer.

Specifikationerna och produktens delar kan ändras utan föregående meddelande.

VASTUUVAPAUCLAUSEKE:**FI**

Nämä piirrokset on tarkoitettu ainoastaan osien tilaamisen avuksi ja ainoastaan huoltoinsinöörien käyttöön.

Aitoja Numatic-varaosia saavat asentaa vain sertifioidut Numatic-huoltoinsinöörit, jotka ovat perehtyneet kaikkiin asiaankuuluviin turvamääräyksiin.

Numatic International Ltd ei ole vastuussa mistään omaisuus- tai henkilövahingoista, jos sertifioidut henkilöt ovat korjanneet tai huoltaneet tuotteita.

Teknisiä ominaisuuksia ja osia voidaan muuttaa ilman erillistä ilmoitusta.

ANSVARFRASKRIVELSE:**DA**

Disse tegninger er kun til reference for reservedelsordrer og er beregnet til serviceteknikere.

Montering af originale Numatic-reservedele må kun udføres af certificerede Numatic-serviceteknikere, der er specialiseret i og har kendskab til alle relevante sikkerhedsbestemmelser.

Numatic International Ltd påtager sig intet ansvar for tab eller skade på ejendom eller person, hvis reparationer eller service på produkter foretages af ikke-certificerede personer.

Specifikationer og dele kan ændres uden varsel.

Numatic International Spare Parts

Model No.: TBL6055 EXPLODED VIEW : TOP TANK

9155/10

DRAWING: DRW-39165 ISS:A03
11/10/2022

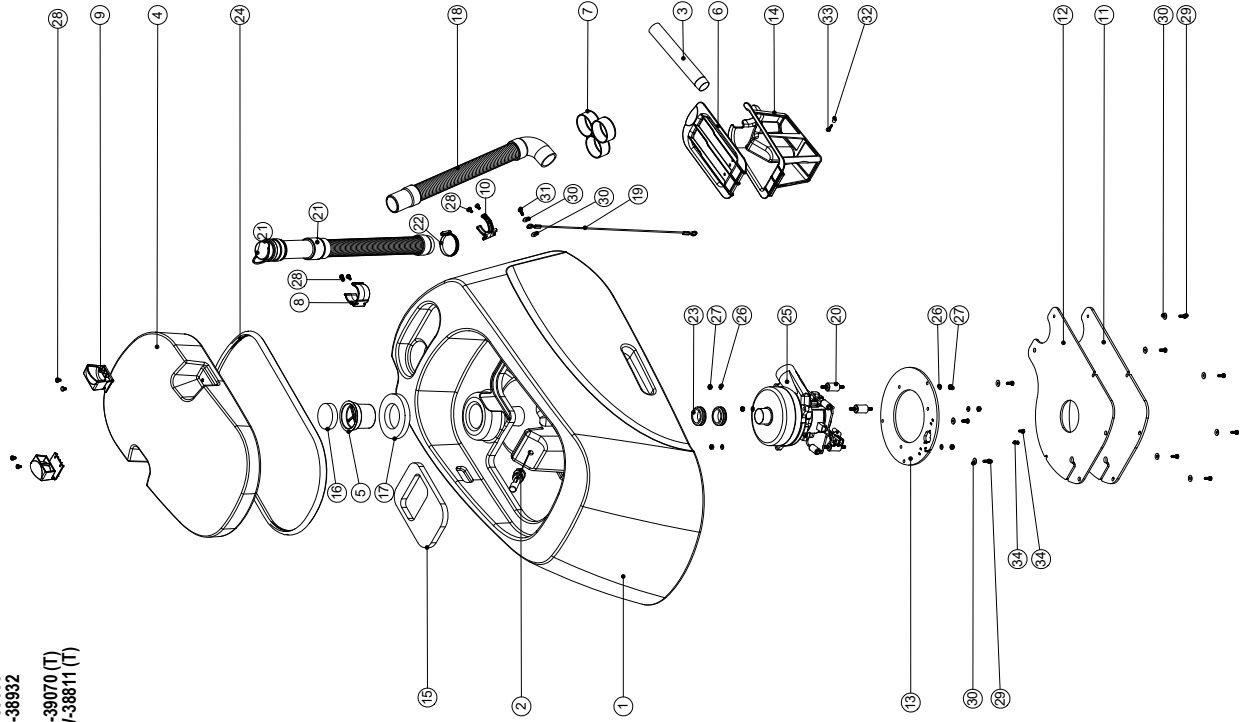
Internal Code:

PRO

NB: FOR WIRING SEE DRAWING:

120V : DRW-39068
230V : DRW-38932

120V : DRW-39070 (T)
230V : DRW-38811 (T)



Numatic International Spare Parts

Model No.: TBL6055 EXPLODED VIEW : TOP TANK

ITEM:	PART No:	Description	Comments	QTY.
1	902296	TTV4555TTB6055 GREY TOP TANK MOULDING C/W FLOAT SWITCH & TUBE		1
2	902234	FLOAT SWITCH (N.C)	903038 SPARE END TIP	
3	304386	PROCESSED ALUMINIUM WELDED TUBE CUT TO LENGTH (210MM)C6		
4	902323	TTV4555 GREY SEPERATOR HOOD MOULDING		1
5	237688	FOAM FILTER BODY		1
6	237773	FILTER BASKET LID		1
7	237718	HOSE GUIDE		1
8	237382	ACETAL HOSE CLIP MOULDING		1
9	902919	CLIP MOULDING (RED)		2
10	237754	35-38MM HOSE CLIP		1
11	902237	VAC MOTOR BOTTOM PLATE (2 STAGE)		1
12	915342	TBL6055 VAC MOTOR BOTTOM PLATE SEAL		1
13	902236	TANGENTIAL VAC MOTOR BRACKET (PP)		1
14	208417	FILTER BASKET		1
15	208950	FLOAT PAD		1
16	N/A	INNER FOAM FILTER/OUTER FOAM FILTER		1
17	208947	INNER FOAM FILTER/OUTER FOAM FILTER		1
18	280021	35MM X 1000MM LONG 3:1 STRETCH HOSE (SHORT & LONG CUFF)		1
	900903	HOSE CLOSURE REPLACEMENT KIT (35MM-38MM STRETCH HOSE)	SPARE PART	
19	N/A	495MM LONG LIFTING LINK WIRE (Item: 208204)		1
20	208534	30MM x 20MM ANTI VIBRATION MOUNT		3
21	901548	35MM X 250MM STRETCH HOSE (3:1) C/W ADJUSTABLE CUFF + CAP		1
22	219819	32MM-50MM STAINLESS STEEL HOSE CLIP		1
23	208144	38MM GROMMET X 6MM PANEL THICKNESS		2
24	391433	TTV4555 SEPARATOR SEALING GASKET CUT TO LENGTH		1
25	915804	24V TANGENTIAL DISCHARGE 2-STAGE VAC MOTOR & PLUG ASSEMBLY + CHOKE		1
26	219870	M6 FORM A WASHER STAINLESS STEEL		6
27	219842	M6 STAINLESS STEEL NYLON INSERT HALF NUT		6
28	291135	M5 X 10MM LONG STAINLESS STEEL POZI PAN SEMS SCREW		8
29	291132	M5 X 16MM LONG STAINLESS STEEL POZI PAN SEMS SCREW		9
30	219844	M5 FORM G STAINLESS STEEL WASHER		11
31	219547	M5 X 16MM LONG POZI PAN STAINLESS STEEL SCREW		1
32	219508	SPIROL SPACER		1
33	299021	Nø8 X 3/4 INCH LONG SELF TAP POZI PAN SCREW		1
34	219569	Nø8 X 1/2 INCH LONG POZI PAN STAINLESS STEEL PLASTITE SCREW		2

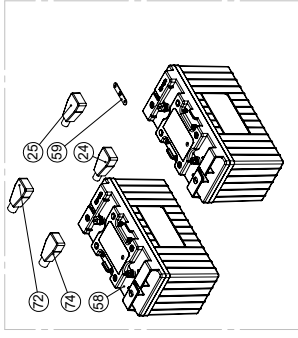
Numatic International Spare Parts

TELEMATICS: LESS BATTERIES - 917239
 1 BATTERY : 916309, 917221, 917239
 2 BATTERY : 916309
 DRW-38314 ISS:A06

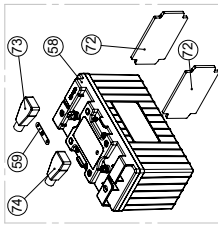
Numatic International Spare Parts

TELEMATICS: LESS BATTERIES - 917239
 1 BATTERY : 916309, 917221, 917239
 2 BATTERY : 916309
 DRW-38314 ISS:A06

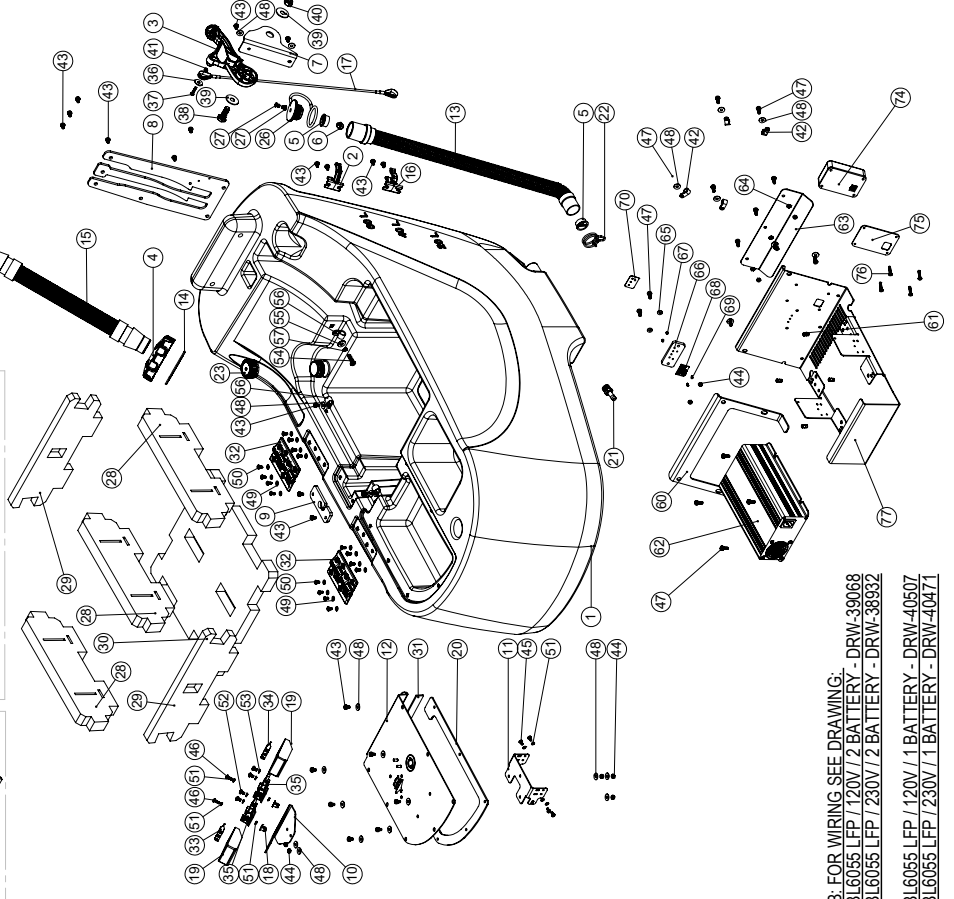
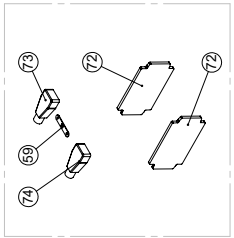
2 BATTERY - 915118



1 BATTERY - 916211



LESS BATTERIES - 917227



NB: FOR WIRING, SEE DRAWING:
 TBL6055 LFP / 120V / 2 BATTERY - DRW-39068
 TBL6055 LFP / 230V / 2 BATTERY - DRW-38592
 TBL6055 LFP / 120V / 1 BATTERY - DRW-40507
 TBL6055 LFP / 230V / 1 BATTERY - DRW-40471

Numatic International Spare Parts

TELEMATICS: TBL6055 EXPLODED VIEW : BOTTOM TANK
 Model No: TBL6055 EXPLODED VIEW : BOTTOM TANK

ITEM No.	DESCRIPTION:	COMMENTS:	QTY.
1	TBL6055 GREY BOTTOM TANK MOULDING		1
2	35-38MM HOSE CLIP		1
3	RED SQUEEGEE LIFT HANDLE		1
4	FILLER CAP WITH FILLER HOSE HOLE		1
5	FLOAT STOP MOULDING		2
6	FLOAT MOULDING		1
7	FLOOR TOOL HANDLE BRACKET ZIPL		1
8	TTV4555 FOOT PEDAL GUIDE PLATE - ZIPL		1
9	RETAINING PLATE		1
10	FUSE BRACKET PAINTED SILVER		1
11	CONTACT BRACKET PAINTED SILVER		1
12	CONTACT BRACKET PAINTED SILVER		1
13	CLAMP HOSE		1
14	FILLER CAP SEALING RING		1
15	208624 420MM LONG BLACK STRETCH HOSE C/W CUFFS		1
16	901916 28mm HOSE CLIP		1
17	208936 LIFTING WIRE TTV4555 / TTB6055		1
18	900986 NYLON GROMMET NUT (PLASTIC INSERT TO SUIT No 8 PLASTITE SCREW)		2
19	208802 MAXI-FUSE HOLDER COVER		2
20	902066 PUMP PLATE GASKET (4555/6055)		1
21	219389 3/8 BSP MALE C/W UNDERCUT & O RING TO 10.5MM HOSETAIL		1
22	902133 SPRING WIRE CLAMP (YDNAC-Y8010356)		1
23	208106 BOTTLE CAP		1
24	906148 BLACK BATTERY TERMINAL COVER (415N08F14)		1
25	906147 RED BATTERY TERMINAL COVER (415N08F02)		1
26	903341 32MM HOSE CAP RED (C/W 8MM HOLE)		2
27	904403 BARBED RIVET BLACK		2
28	168346 T886957 SLOTTED BATTERY TRAY VERSION 2 - WALL (28mm)		2
29	168346 T886957 SLOTTED BATTERY TRAY VERSION 2 - SIDE WALL (18mm)		2
30	916847 T886957 SLOTTED BATTERY TRAY VERSION 2 - BASE (25mm)		1
31	902337 3MM X 1.9MM INSEAL TYPE 3259 (190MM)		1
32	303954 PLASTIC HINGE ASSEMBLY		2
33	221091 20 AMP MAXI FUSE		1
34	230104 30 AMP MAXI FUSE		2
35	230102 FUSE HOLDER RATED AT 60 AMP-S		2
36	291118 M5 STAINLESS STEEL WASHER 19MM OD		1
37	219636 M4 X 20MM LONG STAINLESS STEEL POZI PAN MACHINE SCREW		1
38	915176 M10 X 30MM STAINLESS STEEL HEX SCREW		2
39	914286 M10 X 30 X 1.5 A4 S/S T FENDER WASHER		2
40	219697 M10 STAINLESS STEEL NYLON INSERT NUT		1
41	219697 M4 STAINLESS STEEL NYLON INSERT NUT		1
42	219393 P CLIP		4
43	291135 M5 X 10MM LONG STAINLESS STEEL POZI PAN SEMS SCREW		23
44	219633 M5 STAINLESS STEEL NYLON INSERT NUT		10
45	219637 M4 X 8MM LONG POZI PAN STAINLESS STEEL SCREW		4
46	219589 N6 X 1/2 INCH LONG POZI PAN STAINLESS STEEL PLASTITE SCREW		2
47	291132 M5 X 16MM LONG STAINLESS STEEL POZI PAN SEMS SCREW		17
48	219644 M5 FORM G STAINLESS STEEL WASHER		24
49	219355 M5 FORM A STAINLESS STEEL WASHER		16
50	291004 M5 X 10MM LONG STAINLESS STEEL BUTTON HEAD SCREW		8
51	219643 M5 STAINLESS STEEL WASHER		8
52	219881 M5 SINGLE COIL STAINLESS STEEL WASHER		4
53	219881 M5 SINGLE COIL STAINLESS STEEL WASHER		4
54	502232 M6 X 25MM LONG POZI PAN SCREW STAINLESS STEEL		1
55	219647 M6 FORM G STAINLESS STEEL WASHER		1
56	219465 P-CLIP		3
57	902353 M6 EXTERNAL SHAKEPROOF WASHER STAINLESS STEEL		1
58	911948 NX1K BATTERY (LEPI)	1 BATTERY CONFIGURATION X1	2
59	N/A CANBUS HILO CONNECTOR PCB		1
60	208337 CHARGER PLATE PUNCHED GASKET		1
61	219558 M5 STAINLESS STEEL NUTSERT		4
62	914042 CHARGER 24V LFP		1
63	902257 CHARGER SPLASH SKIRT PAINTED SILVER		1
64	291020 M5 STAINLESS STEEL EXTERNAL SHAKEPROOF LOCK WASHER		3
65	219462 RUBBER WASHER REF. NO. 0380810		2
66	902493 CHARGER LED PCB SPACER (6565/4555)		1
67	291115 M2 X 4.2MM LONG TAPPEX (071M2)		2
68	280002 CHARGER LED DISPLAY PCB		2
69	219978 M2 X 8MM LONG POZI PAN SCREW		2
70	208978 CHARGER LIGHTS OVERLAY		1
71	916202 SINGLE BATTERY FOAM SPACER	1 BATTERY OR LESS BATTERIES CONFIGURATION ONLY X2	-
72	915218 RED BATTERY TERMINAL COVER (415N0V02) (19.05MM DIA)	1 BATTERY OR LESS BATTERIES CONFIGURATION ONLY X1	1
74	915219 BLACK BATTERY TERMINAL COVER (415N0V14) (19.05MM DIA)	1 BATTERY OR LESS BATTERIES CONFIGURATION ONLY X1	1
74	912615 TELEMATICS MODULE ASSEMBLY - GRAPHITE GREY	TELEMATICS CONFIGURATION ONLY	1
75	912151 ADHESIVE PAD - TELEMATICS	TELEMATICS CONFIGURATION ONLY	1
76	219369 M8 X 1 INCH LONG POZI PAN STAINLESS STEEL PLASTITE SCREW	TELEMATICS CONFIGURATION ONLY	4
77	913514 [TELEMATICS] CHARGER PLATE (20A) PAINTED SILVER GREY	TELEMATICS CONFIGURATION ONLY	1
905340	CHARGER PLATE (20A) PAINTED SILVER GREY	NON TELEMATICS ONLY	1

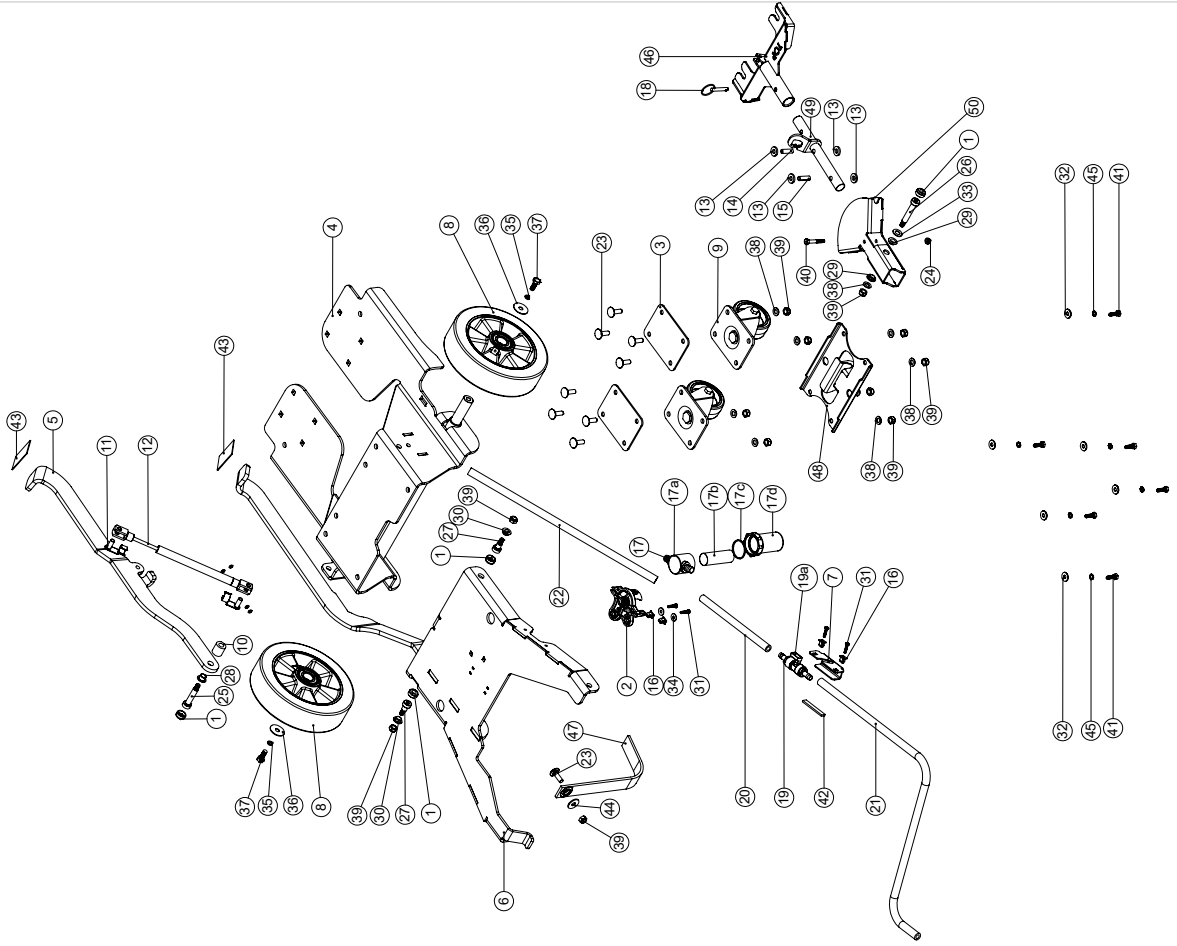
Numatic International Spare Parts

Model No: TGB6055 EXPLODED VIEW : CHASSIS

NB: FOR WIRING SEE DRAWING: N/A

903815

DRAWING: DRW-21593 ISS:A13
10/02/2022



Numatic International Spare Parts

Model No: TGB6055 EXPLODED VIEW : CHASSIS

ITEM:	PART No:	Description	Comments	QTY
1	237632	SHOULDER BOLT COVER		4
2	901006	FILTER MOUNTING BRACKET		1
3	329581	CASTOR ADAPTOR SPACER		2
4	902286	ETB6055 CHASSIS WELD ASSEMBLY PAINTED SILVER		1
5	404131	TTV4555 EXTRA LOAD PEDAL Z/PL		1
6	902268	ETB6055 DECK LIFTING LINK Z/PL		1
7	902262	TAP BRACKET PAINTED SILVER		1
8	204120	WICKE 200 X 50MM ALU WHEEL		2
9	N/A	HEAVY DUTY CASTOR: BLUE TYRE (Item:204116)		2
10	208350	NYLON SPACER ID 10.2MM X OD 20.0MM X LENGTH 21.0MM		1
11	208634	GAS RAM CLEVIS CLIP		2
12	N/A	280N GAS RAM (Item:208623)		1
13	206964	SLIDE NYLON SPACER		4
14	206863	VERTICAL NYLON SPACER		1
15	206954	SPIRO SPACER		1
16	900986	NYLON GROMMET NUT (PLASTIC INSERT TO SUIT No 8 PLASTITE SCREW)		4
17	208888	EXTENDED STRAINER		1
17a	208827	STRAINER BLACK TOP	SPARE PART	1
17b	208889	EXTENDED STRAINER 50 MESH SCREEN	SPARE PART	1
17c	208830	STRAINER GASKET	SPARE PART	1
17d	208890	EXTENDED STRAINER CLEAR BOWL	SPARE PART	1
18	206953	DETENT PINS		1
19	208761	10MM HOSE TAIL TO 10MM HOSE TAIL BALL VALVE ASSEMBLY		1
19a	901544	TAP HANDLE C/W COVER AND M3X6MM SCREW (SPARE ITEM)		1
20	303713	SILICONE TUBE (210MM LONG)	SPARE PART	1
21	391216	SILICON TUBE 8MM I/D X 3.2MM WALL SECTION (CUT 600MM)		1
22	304443	SILICON TUBE 8MM I/D X 3.2MM WALL SECTION (CUT 420MM)		1
23	902010	M8 X 35 COACH BOLT S/S		9
24	219642	M6 STAINLESS STEEL NYLON INSERT NUT		1
25	208355	M8 X 10 X 40MM LONG HEX SOCKET SHOULDER BOLT		1
26	208333	M8 X 10 X 50MM LONG HEX SOCKET SHOULDER BOLT		1
27	208313	M8 X 10 X 12MM LONG HEX SOCKET SHOULDER BOLT		2
28	208331	IGUS BEARING (GFM 101209)		1
29	208312	IGUS BEARING (GFM 101205)		2
30	208330	IGUS BEARING (GFM 101206)		2
31	219568	N08.34 INCH LG POZ-PAN SCREW STAINLESS STEEL PLASTITE		4
32	219647	M6 FORM G STAINLESS STEEL WASHER		6
33	219903	M10 FORM A STAINLESS STEEL WASHER		1
34	219644	M5 FORM G STAINLESS STEEL WASHER		2
35	219898	M8 SINGLE COIL STAINLESS STEEL WASHER		2
36	219877	M8 X 30 STAINLESS STEEL WASHER		2
37	219717	M8 X 20MM LONG HEXAGONAL STAINLESS STEEL BOLT		2
38	219578	M8 FORM A STAINLESS STEEL WASHER		9
39	219639	M8 STAINLESS STEEL NYLON INSERT NUT		12
40	291125	M6 X 40 LONG HEX BOLT STAINLESS STEEL		1
41	219976	M6 X 20MM LONG HEXANGONAL HEAD SET SCREW		6
42	902760	3MM THICK X 9MM WIDE INSEAL (212052 X 60MM LONG)		1
43	903064	FOOT PEDAL PAD (RED)	903063 CUT TO LENGHT	2
44	219716	M8 FORM G STAINLESS STEEL WASHER		1
45	902353	M6 EXTERNAL SHAKEPROOF WASHER STAINLESS STEEL		6
46	304466	FLOOR TOOL BRACKET ASSEMBLY (TT/TTB4045/4055)		1
47	903323	ANTI-STATIC STRAP (CUT TO LENGHT: 320MM LONG)		1
48	904960	FLOOR TOOL LIFTING PIVOT BRACKET WELD ASSY PAINTED SILVER		1
49	905730	TGB6055 FLOOR TOOL PIVOT TUBE ASSEMBLY		1
50	905728	FLOOR TOOL LIFTING PLATE WELD ASSEMBLY (3MM M/S) Z/PL		1
51	291145	M4 SHAKEPROOF WASHER STAINLESS STEEL		4

Numatic International Spare Parts

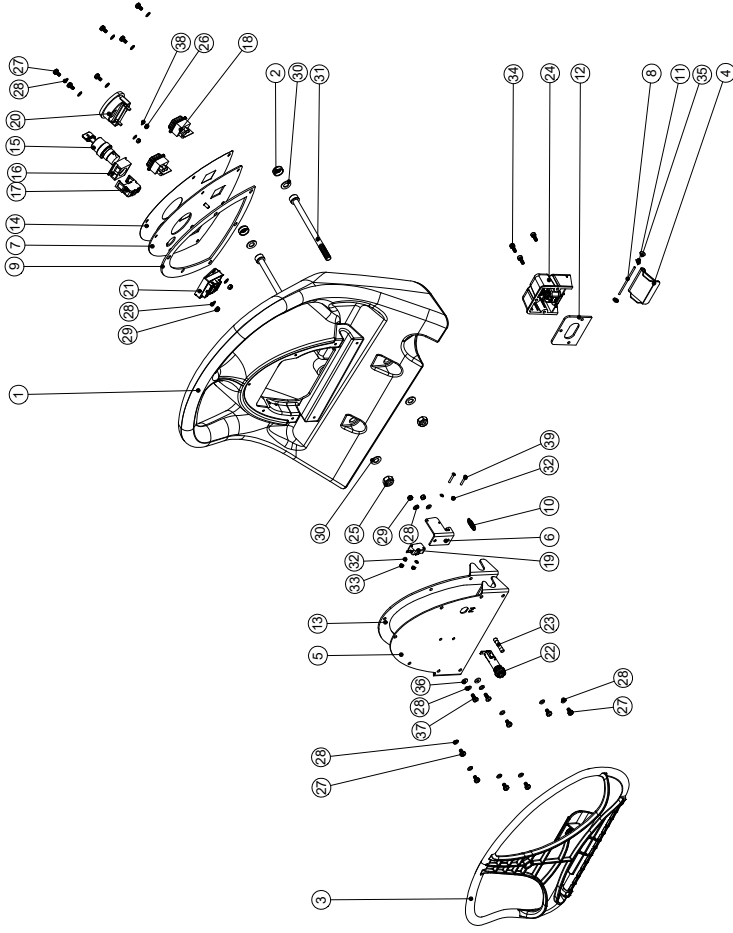
Model No: TBL6055 EXPLODED VIEW: HANDLE

**NB: FOR WIRING SEE DRAWING: 915192
DRW-38832**

Internal Code: 915221

**DRAWING: DRW-38319 ISS:A01
24/03/2022**

PRO



Numatic International Spare Parts

Model No: TBL6055 EXPLODED VIEW: HANDLE

POS.	ITEM NO.	DESCRIPTION	COMMENTS:	QTY.
1	237113	HANDLE MOULDING		1
2	237632	SHOULDER BOLT COVER		2
3	902325	RED HANDLE TRIGGER MOULDING		1
4	227781	FLAP MOULDING		1
5	902263	HANDLE BACK PLATE ETB6055 PAINTED SILVER		1
6	902251	HANDLE MICRO SWITCH BRACKET PAINTED SILVER		1
7	907115	TGB6055 CONTROL PANEL ASSEMBLY (NEW KEY) PAINTED SILVER		1
8	390979	72MM LONG X 3MM DIAMETER STAINLESS STEEL BAR		1
9	208336	CONTROL PANEL PUNCHED GASKET		1
10	208356	TRIGGER SPRING		1
11	219819	TORSION SPRING		1
12	202105	SOCKET COVER SEALING GASKET		1
13	903062	HANDLE BACK PLATE GASKET		1
14	914731	TBL6055 CONTROL PANEL OVERLAY		1
15	907149	KEY SWITCH SELECTOR (020SCA1)		1
16	907150	FIXING ADAPTER (020G)		1
17	907151	TERMINAL BLOCK N.O. (020E10)		1
18	902235	SWITCH DPST RED ILLUMINATED WITH MEMBRANE 24V		2
19	208391	SNAP ACTION SWITCH		1
20	914748	NORD (LFP) BATTERY HOUR METER 24V (MODEL: 1428.306.01 BDI NE306 CAN NUMATIC)		1
21	903031	TERMINAL BLOCK ASSEMBLY		1
22	903032	BULGIN PANEL MOUNT FUSEHOLDER		1
23	903066	FUSE 2.5A (6-3x32)		1
24	904030	240V EMI FILTER WITH SOCKET COVER ASSEMBLY (PROCESSED)		1
25	219897	M10 STAINLESS STEEL NYLON INSERT NUT		2
26	219687	M4 STAINLESS STEEL NYLON INSERT NUT		2
27	291135	M5 X 10MM LONG STAINLESS STEEL POZI PAN SEMS SCREW		13
28	219355	M5 FORM A STAINLESS STEEL WASHER		19
29	219633	M5 STAINLESS STEEL NYLON INSERT NUT		4
30	219903	M10 FORM A STAINLESS STEEL WASHER		4
31	902351	M10 X 1.50MM LONG SOCKET CAP SCREW STAINLESS STEEL		2
32	219501	M3 FORM A STAINLESS STEEL WASHER		4
33	291154	M3 NYLON INSERT NUT STAINLESS STEEL		2
34	291007	M5 X 12MM LONG STAINLESS STEEL SOCKET CAP SCREW		3
35	219832	3MM DIAMETER STARLOCK		2
36	219462	RUBBER WASHER REF NO. 0380810		2
37	219740	M5 X 12MM LONG STAINLESS STEEL POZI PAN SCREW		2
38	219688	M4 FORM A STAINLESS STEEL WASHER		2
39	291155	M3 X 20MM LONG POZI PAN SCREW STAINLESS STEEL		2

Numatic International Spare Parts

750 TWINTEC ALUMINIUM FLOOR TOOL
Model No.: (38MM HOSE, RED TRIM, SERILOR BLADES)

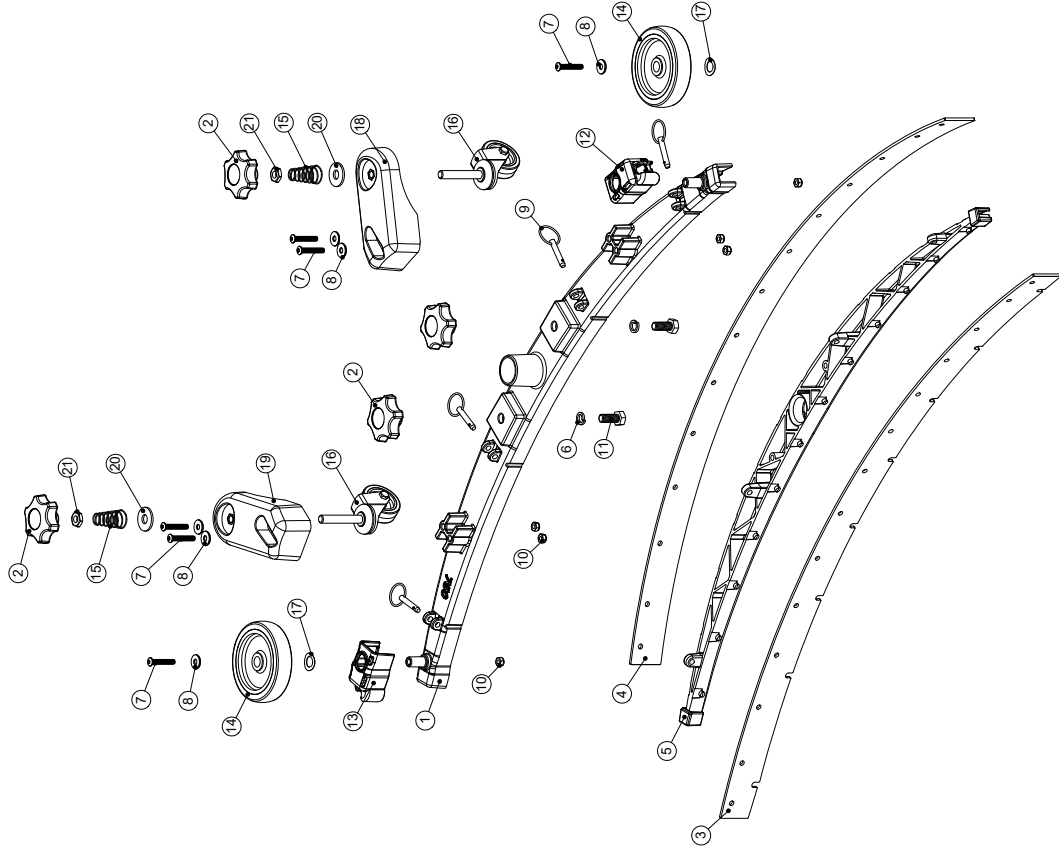
NB: FOR WIRING SEE DRAWING: WD-07??

903853

DRAWING: DRW-23157 ISS:A07
 27/03/2019

Internal Code:

PRO



Numatic International Spare Parts

750 TWINTEC ALUMINIUM FLOOR TOOL (38MM HOSE, RED TRIM, SERILOR BLADES)
Model No.: (750MM SCRUB WIDTH) ALUMINIUM SQUEEGEE CASTING (38MM HOSE FITTING)

ITEM:	PART No:	DESCRIPTION	QTY.
1	208637	(750MM SCRUB WIDTH) ALUMINIUM SQUEEGEE CASTING (38MM HOSE FITTING)	1
2	903281	M10 LOBE KNOB (RED)	4
3	208988	750MM SCRUB WIDTH REPLACEMENT FRONT BLADE (968MM LONG)	1
4	208971	750MM SCRUB WIDTH REPLACEMENT REAR BLADE (1000MM LONG)	1
5	903848	(750MM SCRUB WIDTH) RED BLADE HOLDER MouldING (SLOPING PROFILE) (32MM & 38MM HOSE FITTING)	1
6	219899	M10 SINGLE COIL STAINLESS STEEL WASHER	2
7	219933	M6 X 35MM SOCKET BUTTON HEAD BOLT STAINLESS STEEL	6
8	219647	M6 FORM G STAINLESS STEEL WASHER	6
9	206953	DETENT PINS	4
10	219642	M6 STAINLESS STEEL NYLON INSERT NUT	6
11	219909	M10 X 25MM LONG HEXAGONAL STAINLESS STEEL SCREW	2
12	237322	RIGHT HAND FLOOR TOOL CLIP MouldING	1
13	237323	LEFT HAND FLOOR TOOL CLIP MouldING	1
14	208796	4 INCH WHEEL	2
15	229175	CONICAL SPRING	2
16	907759	50MM DIAMETER GREY TPR TYRED SWIVEL CASTOR C/W M10 X 60 SWAGED STEM.	2
17	219891	13MM WAVEY WASHER	2
18	906860	ADJUSTABLE FLOOR TOOL CASTOR PLASTIC PLATE LEFT	1
19	906859	ADJUSTABLE FLOOR TOOL CASTOR PLASTIC PLATE RIGHT	1
20	291124	M10 PENNY WASHER STAINLESS STEEL	2
21	219951	A4 (STAINLESS STEEL) M10 HEX LOCK NUT (HALF NUT)	2

Numatic International Spare Parts

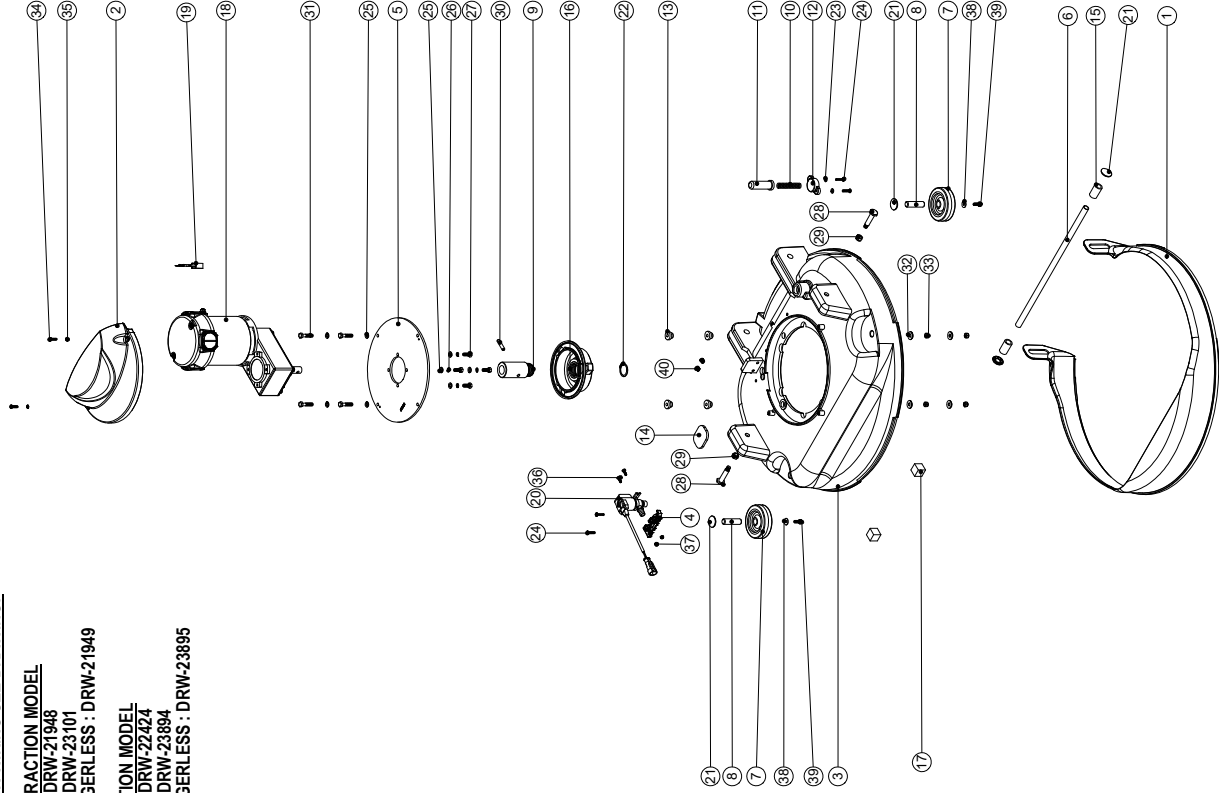
Model No.: TBL6055 EXPLODED VIEW : BRUSH DECK

915624
 DRAWING: DRW-39682 ISS:A01
 14/07/2022

NB: FOR WIRING SEE DRAWING:

NON-TRACTION MODEL
 230V : DRW-21948
 120V : DRW-23101
 CHARGERLESS : DRW-21949

TRACTION MODEL
 230V : DRW-22424
 120V : DRW-23894
 CHARGERLESS : DRW-23895



Numatic International Spare Parts

Model No.: TBL6055 EXPLODED VIEW : BRUSH DECK

Item No.	Description	Comments	QTY.
1	229562 SPLASH SKIRT MouldING		1
2	237380 AMER MOTOR COVER		1
3	304445 6055 BASE MouldING		1
4	902556 SOLENOID MOUNT MouldING		1
5	404166 TTB40454055 AMER MOTOR ADAPTOR PLATE PAINT SILVER GREY		1
6	391439 1/2 INCH DIAMETER X 18G STAINLESS STEEL TUBE (0.375)		1
7	204068 3 INCH GREY WHEEL		2
8	206013 BUFFER WHEEL PIN		2
9	208727 DRIVE SHAFT		1
10	219892 COMPRESSION SPRING		1
11	229128 PLUNGER		1
12	223242 PLUNGER MOUNTING PLATE MouldING		1
13	229285 MOTOR MOUNTING SPACER		4
14	202098 FOOT PEDAL PAD		1
15	208769 NATUARL NYLON SPACER (12.8x18x30)		2
16	230207 DIE CAST CHUCK MACHINED		1
17	902352 FOAM SPACER 20MM		2
18	205245 AMER 100RPM MOTOR	230222 CARBON BRUSHES (SET)	1
19	915212 0.47UF 310V CAPACITOR ASSEMBLY		1
20	902949 TERMINATED SOLENOID CABLE-BLACK.125.0M5.2.24		1
21	204021 12.7MM STAINLESS STEEL HUB CAP		4
22	230048 26MM EXTERNAL CIRCLIP		1
23	219355 M5 FORM A STAINLESS STEEL WASHER		2
24	219568 NO8.34 INCH LG.POZI-PAN-SCREW STAINLESS STEEL PLASTITE		4
25	219870 M6 FORM A WASHER STAINLESS STEEL		8
26	219718 WASHER M6 SPRING STAINLESS STEEL		4
27	219719 M6 X 16MM LONG HEXAGONAL STAINLESS STEEL HEAD BOLT		4
28	206236 PIVOT PIN		2
29	219639 M8 STAINLESS STEEL NYLON INSERT NUT		2
30	281079 6MM X 30MM STAINLESS STEEL ROLL PIN		1
31	281022 M6 X 30MM LONG STAINLESS STEEL HEXAGONAL HEAD BOLT		4
32	219647 M6 FORM G STAINLESS STEEL WASHER		4
33	219642 M6 STAINLESS STEEL NYLON INSERT NUT		4
34	219862 M4 X 16MM LONG POZI PAN STAINLESS STEEL SCREW		2
35	281145 M4 SHAKEPROOF WASHER STAINLESS STEEL		2
36	219890 M4 X 12MM LONG POZI PAN STAINLESS STEEL SCREW		2
37	219887 M4 STAINLESS STEEL NYLON INSERT NUT		2
38	219644 M5 FORM G STAINLESS STEEL WASHER		2
39	281132 M5 X 16MM LONG STAINLESS STEEL POZI PAN SEMS SCREW		2
40	219009 M4 BRASS TAPPEX INSERT		2

**Numatic International Limited (Head Office)**

Chard, Somerset TA20 2GB, UNITED KINGDOM

Tel: 01460 68600 numatic.com

Numatic International GmbH

Fränkische Straße 15-19, 30455 Hannover, DEUTSCHLAND

Tel: +49 (0) 511 984 2160 numatic.de

Numatic International Denmark

Fränkische Straße 15-19, 30455 Hannover, DEUTSCHLAND

Tel: +45 (0) 316 40808 numatic-online.dk

Numatic International S.A.S

13/17 rue du Valengelier, EAE la Tuilerie, 77500 Chelles, FRANCE

Tel: +33 (0) 164 726 161 numatic.fr

Numatic International BV

Vennootsweg 15, 2404 CG, Alphen aan den Rijn, NEDERLAND

Tel: +31 (0) 172 467 999 numatic.nl

Numatic International Schweiz AG.

Sihlbruggstrasse 3A, 6340 Baar, SCHWEIZ

Tel: +41 (0) 41 768 0760 numatic.ch

Numatic International (PTY) Ltd.

Cnr. 16th & Pharmaceutical Road, Randjes Park, Midrand 1685, SOUTH AFRICA

Tel: +27 (0) 861 686 284 numatic.co.za

Numatic International ULDA

Rua Francisco da Silva Duarte, nº79,

4475-269 Santa Maria de Avioso, Castelo da Maia, PORTUGAL

Tel: +351 220 047 700 numatic.pt

Numatic International Spain, S.L.U.

Av. Baix Llobregat, 5-7, Oficina bajos 1 (Parc Negocis Mas Blau II)

08820 El Prat de Llobregat (Barcelona), SPAIN

Tel: +34 93 647 22 22 numatic.es

Numatic International Italy S.R.L

Via Luigi Galvani, 2, Z.I. Talponedo, 33080 Porcia (PN), ITALY

Tel: +39 (0) 434 046 211 numatic.it