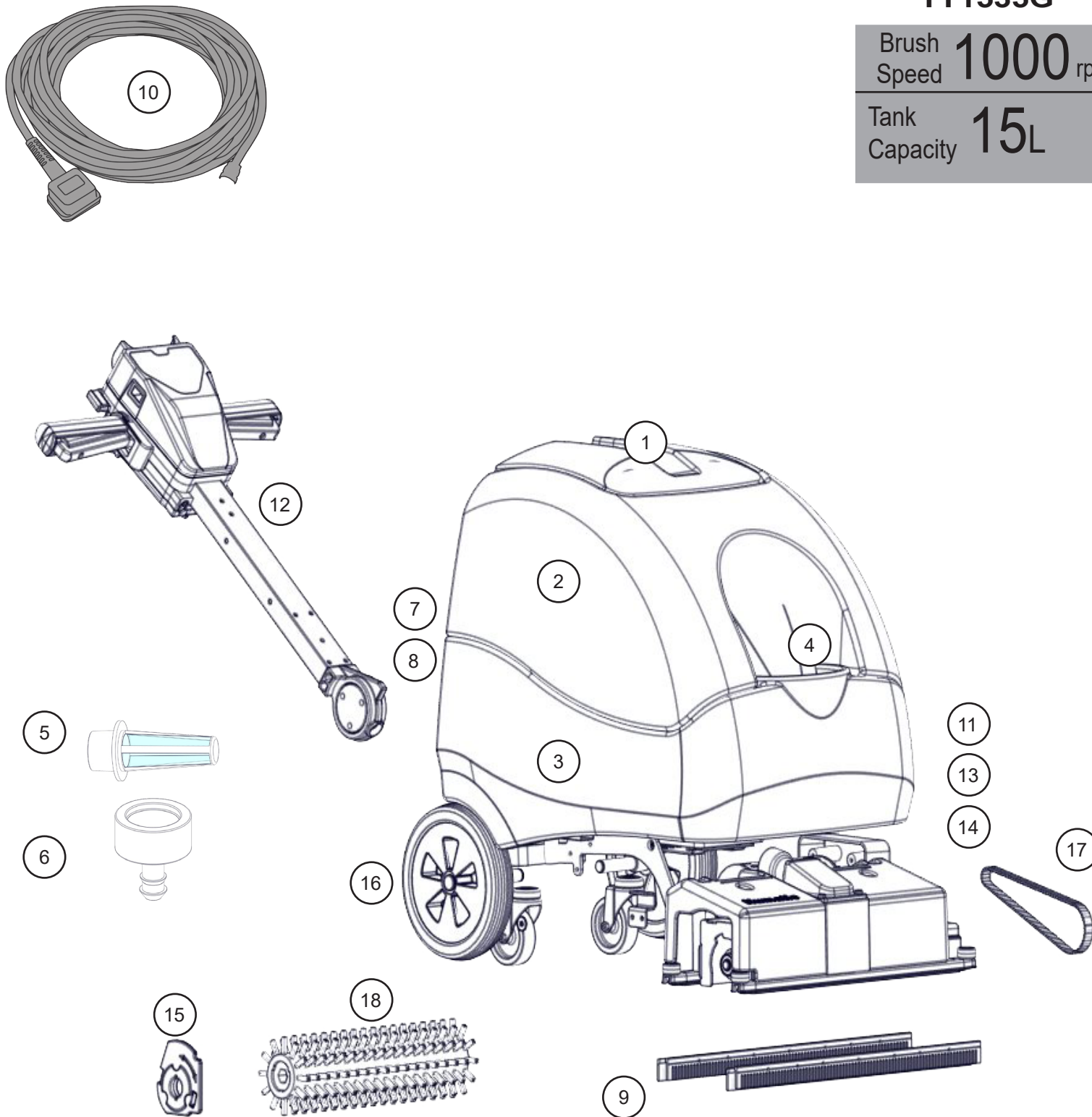


# Exploded Spare Parts TT1535G

# Numatic

## TT1535G

Brush Speed **1000** rpm  
 Tank Capacity **15L**



## Genuine Accessories

Num	Description	Num
1	TTQ1535S SEPERATOR ASSEMBLY / TTQ3035 SEPARATOR ASSEMBLY	577233 / 577598
2	TTQ1535 TOP TANK / TTQ3035 TOP TANK ASSEMBLY	303624 / 577601
3	TTQ1535S BOTTOM TANK ASSEMBLY / TT3450 BLUE BOTTOM TANK ASSEMBLY	577232 / 577253
4	FILTER CAP	229282
5	TT/B 345 BARREL FILTER	206265
6	NVE3 GAUZE FILTER ASSEMBLY	502040
7	TTQ1535S EXTERNAL HOSE ASSEMBLY (460-470MM)	329376
8	DUMP HOSE ASSY / TTB 345 HOSE CLOSURE	213021 / 206058
9	SQUEEGEE ASSEMBLY	329275
10	20.0MT X 1.5MM X 3 CORE CABLE (SOCKET + PLUG) UK	911819
11	PSC INDUCTION MOTOR (370W) (220-240V) (50HZ) (Brush Motor)	205162
12	TTQ.1535.V17.HANDLE ASSEMBLY	577147
13	TTQ1535 VAC POD ASSEMBLY 230V	577017
14	END COVER MOULDING ASSEMBLY	329279
15	DRIVE END ASSEMBLY	329286
16	10 INCH WHEEL(BLACK/GREY) 20MM BORE	204028
17	DRIVE BELT POLYVEE 190	217352
	1535 NYLOSCRUB CYLINDER BRUSH (TTA-110B)	606225

Disclaimer: Many factors beyond Numatic International Ltd control plus end user knowledge and control can affect the use and performance of a Numatic International Ltd product in a particular application.

The user is solely responsible for evaluating Numatic International Ltd products and evaluating if said product is suitable for a particular purpose and user's method of application.

Numatic.com

Numatic International Limited, Chard, Somerset, TA20 2GB  
 Telephone: 01460 68600  
 Fax: 01460 68458

UNITED KINGDOM: [www.numatic.co.uk](http://www.numatic.co.uk)  
 NETHERLANDS: [www.numatic.nl](http://www.numatic.nl)  
 PORTUGAL: [www.numatic.pt](http://www.numatic.pt)

GERMANY: [www.numatic.de](http://www.numatic.de)  
 SWITZERLAND: [www.numatic.ch](http://www.numatic.ch)  
 SPAIN: [www.numatic.es](http://www.numatic.es)

FRANCE: [www.numatic.fr](http://www.numatic.fr)  
 SOUTH AFRICA: [www.numatic.co.za](http://www.numatic.co.za)

Specification subject to change without prior notice  
[www.numatic.co.uk](http://www.numatic.co.uk) © Numatic International Limited

MED-000988 06/22 (A02)