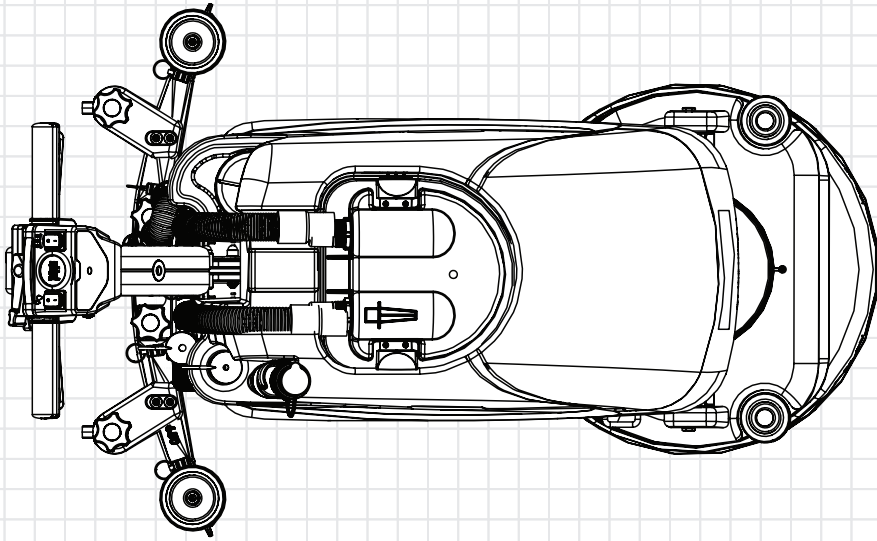
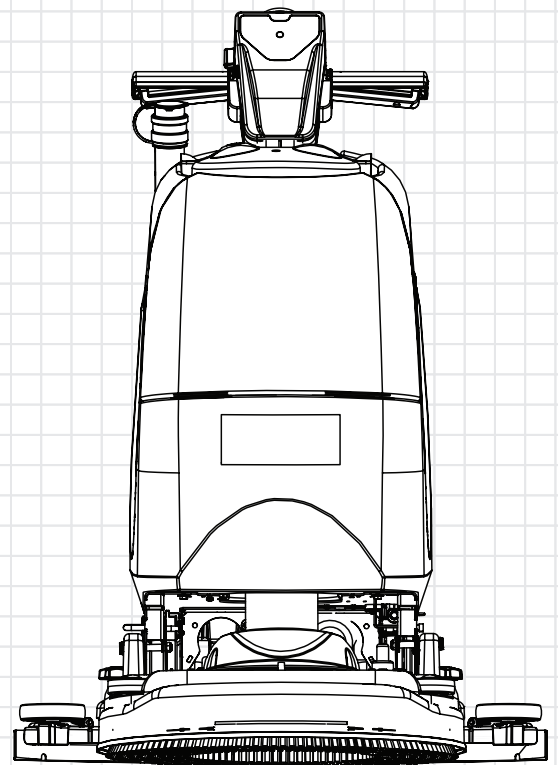
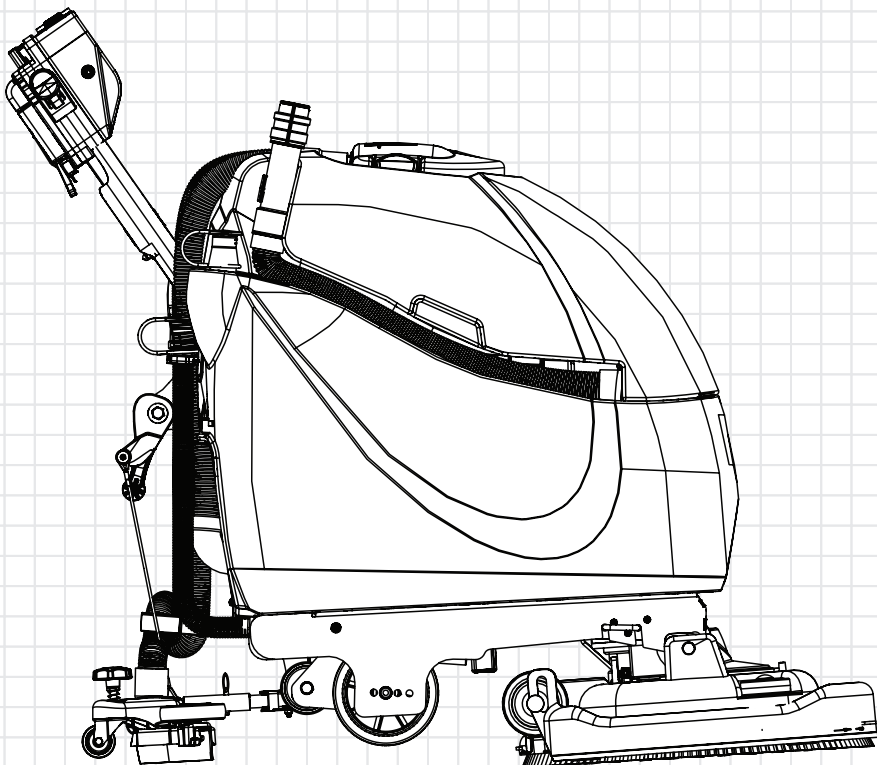


TGB4055 Chargerless



Service Engineer Exploded Drawings



DISCLAIMER:

These drawings are for part order reference only and intended for service engineers use.

The installation of Genuine Numatic spare parts should only be executed by Certified Numatic service engineers who specialised and familiar with all relevant safety regulations.

Numatic International Ltd do not accept responsibility or liability for any loss or damage to property or person if repairs or servicing of products are carried out by non-certified persons.

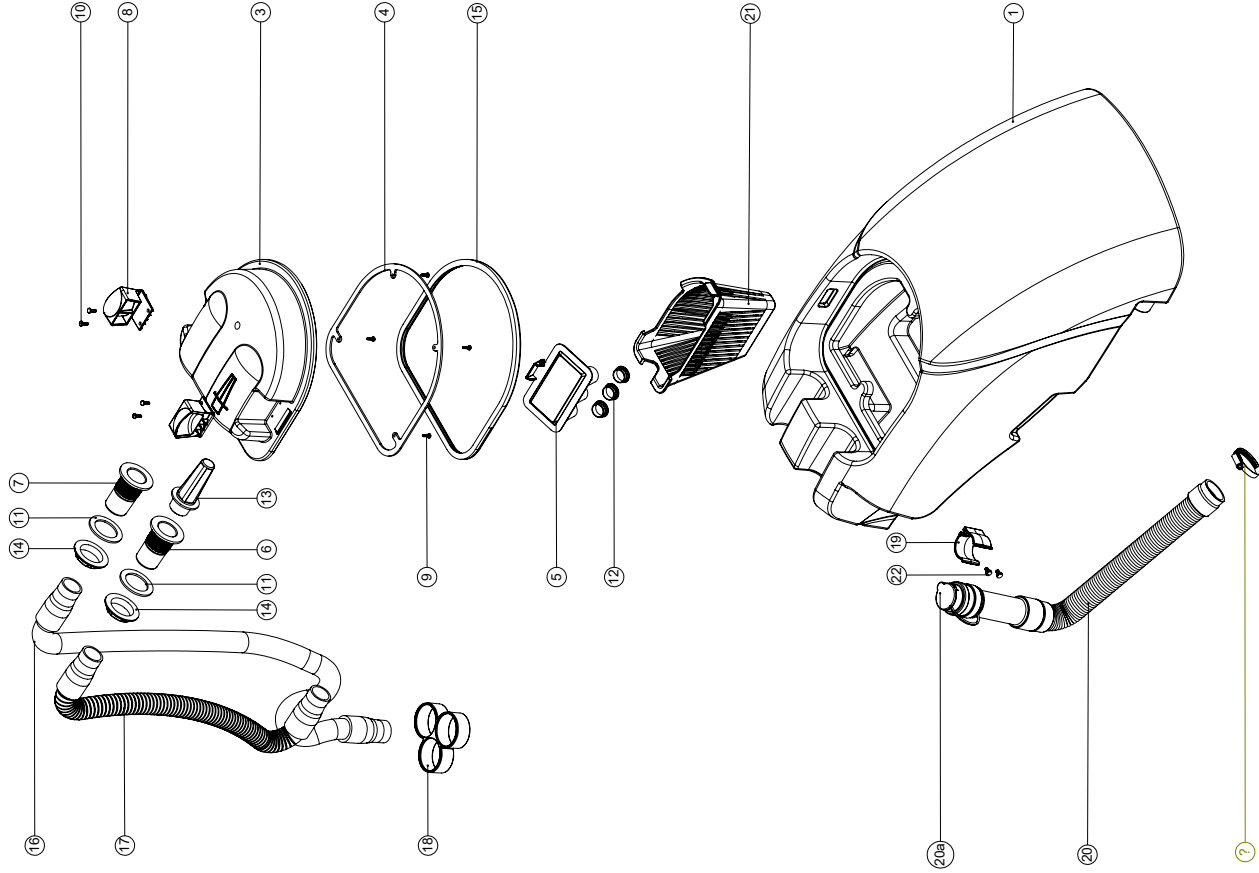
Specifications and parts are subject to change without notice.

Numatic International Spare Parts

Model No: TGB4045/4055 EXPLODED VIEW: TOP TANK

NB: FOR WIRING SEE DRAWING: N/A

908096
DRAWING: DRW-22926 ISS: A10
07/09/2021



Numatic International Spare Parts

Model No: TGB4045/4055 EXPLODED VIEW: TOP TANK

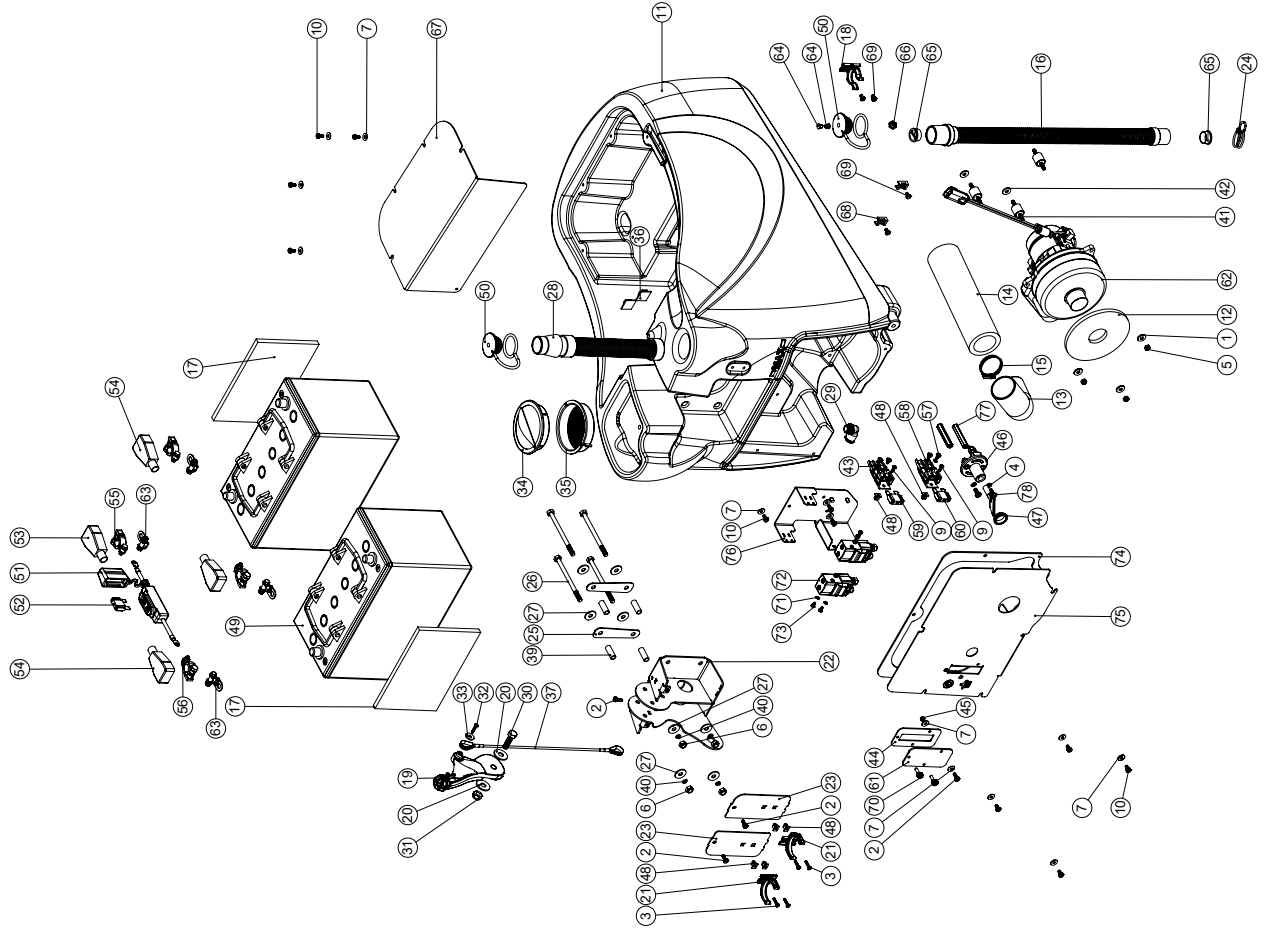
ITEM:	PART No:	DESCRIPTION	COMMENTS:	QTY
1	N/A	TTB-4055 TOP TANK MOULDING (GRAPHITE GREY)		1
2	219919	32MM-50MM STAINLESS STEEL HOSE CLIP		1
3	237381	INTEGRATED CHASSIS SEPARATOR		1
4	392200	FILTER GASKET RING		1
5	237090	SEPARATOR FLOAT MOULDING (MK 2)		1
6	237526	38MM RED DRAIN HOSE CONNECTOR		1
7	237018	38MM DRAIN HOSE CONNECTOR		1
8	902919	CLIP MOULDING (RED)		2
9	219852	N06 X 1/2 LONG POZI PAN STAINLESS STEEL SELF TAP SCREW		4
10	219569	N08 X 1/2 INCH LONG POZI PAN STAINLESS STEEL PLASTITTE SCREW		4
11	219310	RUBBER WASHER		2
12	206315	TUBE END PLUG		3
13	206265	TT/B 3/4S BARREL FILTER		1
14	206116	BLACK NUT		2
15	208591	NEW SEPARATOR GASKET		1
16	N/A	35MM X 690MM LONG 3:1 STRETCH HOSE (SHORT & LONG CUFF)		1
17	N/A	VAC HOSE 650MM X Ø38MM		1
18	237718	HOSE GUIDE		1
19	237382	ACETAL HOSE CLIP MOULDING		1
20	N/A	35MM X 250MM STRETCH HOSE (3:1) CW ADJUSTABLE CUFF + CAP		1
20a	900903	HOSE CLOSURE REPLACEMENT KIT (35MM-38MM STRETCH HOSE)	SPARE ITEM	1
21	906070	MESHLESS FILTER BASKET		1
22	291135	M5 X 10MM LONG STAINLESS STEEL POZI PAN SEMS SCREW		2

Numatic International Spare Parts

Model No: TGB4045/4055 EXPLODED VIEW: BOTTOM TANK (CHARGERLESS)

910875
DRAWING: DRW-23748 ISS A13
11/10/2022

NB: FOR WIRING SEE DRAWINGS:
DRW-24837



Numatic International Spare Parts

Model No: TGB4045/4055 EXPLODED VIEW: BOTTOM TANK (CHARGERLESS)

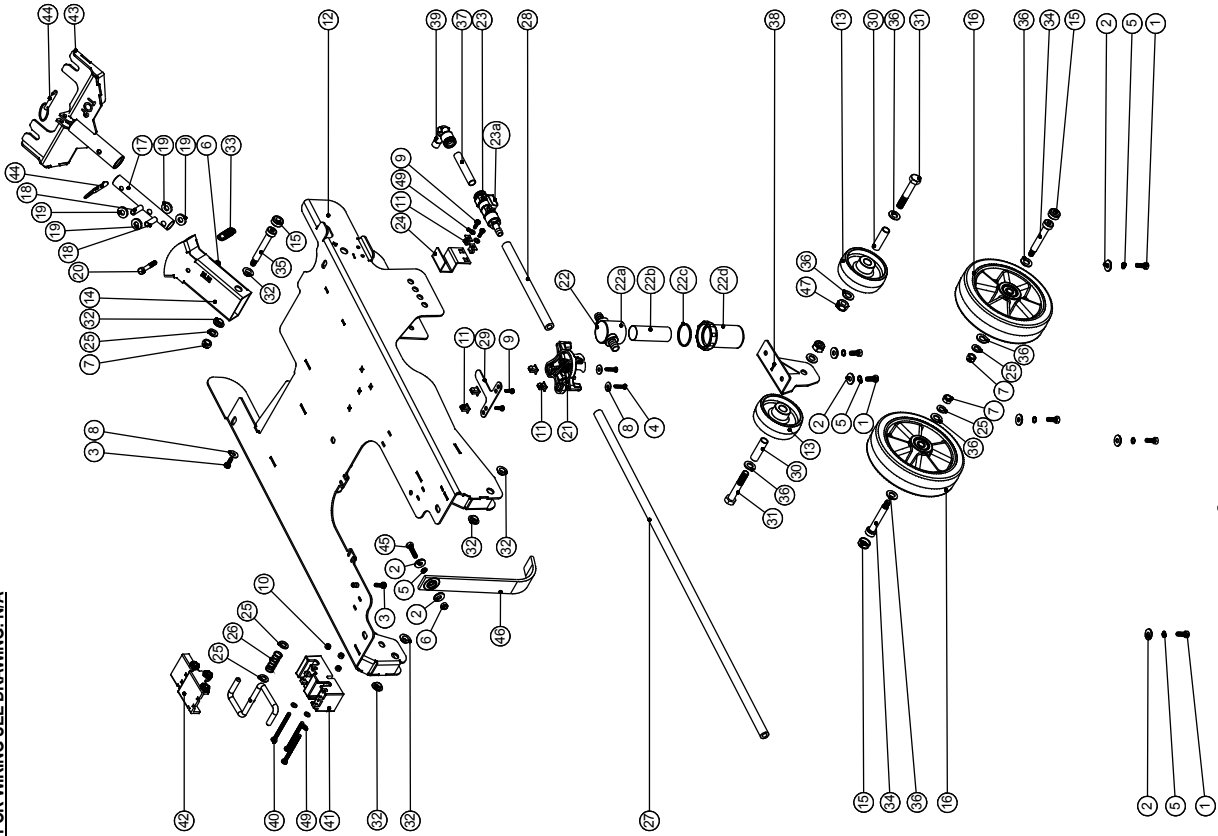
ITEM	PART No:	DESCRIPTION	COMMENTS:	QTY:
1	219637	M6 FORM G STAINLESS STEEL WASHER		3
2	291132	M6 X 16MM LONG STAINLESS STEEL POZI PAN SEMS SCREW		4
3	219668	M6 X 3/4 INCH LG POZI-PAN SCREW STAINLESS STEEL PLASTITE		4
4	902553	M6 EXTERNAL SHAKEPROOF WASHER STAINLESS STEEL		2
5	219642	M6 STAINLESS STEEL NYLON INSERT NUT		3
6	219639	M6 STAINLESS STEEL NYLON INSERT NUT		4
7	219644	M6 FORM G STAINLESS STEEL WASHER		14
8	219687	M4 STAINLESS STEEL NYLON INSERT NUT		1
9	219669	M6 X 1/2 INCH LONG POZI PAN STAINLESS STEEL PLASTITE SCREW		1
10	291131	M6 X 12MM LONG STAINLESS STEEL POZI PAN SEMS SCREW		12
11	909624	TGB4045/56 BOTTOM TANK MOULDING (GRAPHITE)	WITH LOGO	2
12	909625	TGB4045/56 BOTTOM TANK MOULDING (GRAPHITE)	WITHOUT LOGO	1
13	208477	MOTOR PAD		1
14	208571	DIP MOULDED ELBOW		1
15	208306	SILENCER FOAM TUBE		1
16	219629	STAINLESS STEEL HOSE CLAMP (45MM - 60MM)		1
17	213025	DUMP HOSE		1
18	208645	FOAM BATTERY SPACER		2
19	901916	28mm HOSE CLIP		1
20	902324	RED SQUEEGEE LIFT HANDLE		1
21	237754	M10 PENNY WASHER STAINLESS STEEL		2
22	909612	TGB 3045 HANDLE MOUNT WELD ASSEMBLY Z/P/L		2
23	903639	HANDLE MOUNT COVER PAINTED SILVER		2
24	902133	SPRING WIRE CLAMP (YONAC-Y8010366)		1
25	392449	HANDLE MOUNT LINK PLATE PAINT SILVER		2
26	291126	M6 X 120 LONG HEX BOLT STAINLESS STEEL		2
27	219718	M6 FORM G STAINLESS STEEL WASHER		8
28	208660	TTB/T FILLING HOSE		1
29	901538	ELBOW ANGLE CONNECTOR 3/8 PARALLEL THREAD CW ORING TO 12MM PUSH IN		1
30	219695	M10 X 35MM LONG HEXAGONAL STAINLESS STEEL SCREW		1
31	219697	M10 STAINLESS STEEL NYLON INSERT NUT		1
32	219686	M4 X 20MM LONG STAINLESS STEEL POZI PAN MACHINE SCREW		1
33	291118	M6 STAINLESS STEEL WASHER 19MM OD		1
34	903544	FILLER CAP LID (RED)		1
35	903543	CLEAN TANK INLET FILTER (RED)		1
36	220403	CABLE CLIP		2
37	208661	TTB LIFTING WIRE		1
38	219658	M6 STAINLESS STEEL NUTSERT		3
39	305046	30MM PVC HOSE ID 8.0MM X 11.0MM		4
40	219698	M6 SINGLE COIL STAINLESS STEEL WASHER		4
41	902006	AV MOUNT MALE TO MALE M6 X 18 (BODY 62X20 - REF P2004 02D-020)		3
42	219008	M6 FORM G WASHER		3
43	230102	FUSE HOLDER RATED AT 60 AMPS		2
44	903601	FUSE PLATE GASKET		1
45	219633	M6 STAINLESS STEEL NYLON INSERT NUT		1
46	206746	MASTER KEY SWITCH & KEY	206813 SPARE KEY	1
47	902331	GF PVC GROMMET (28MM X 22MM X 2MM)		1
48	900966	NYLON GROMMET NUT (PLASTIC INSERT TO SUIT No 8 PLASTITE SCREW)		6
49	220667	12V TRACTION BLOCK BATTERY		2
50	205112	100 AMP HOUR REPLACEMENT BATTERY (C/W PACKAGING FOR 230138 BATTERY)	80Ah VERSION 100Ah VERSION	2
51	903341	32MM HOSE CAP RED (C/W 8MM HOLE)		2
52	221047	40 AMP MAXI FUSE		1
53	208936	BLACK BATTERY TERMINAL COVER (415NRV/14)		2
54	208935	RED BATTERY TERMINAL COVER (415NRV/02)		2
55	220459	BATTERY TERMINAL CONVERTOR		2
56	220454	POSITIVE BATTERY TERMINAL CONVERTER		2
57	219664	M6 X 8MM LONG POZI-PAN SCREW Z/P/L	80Ah VERSION 80Ah VERSION	4
58	219661	M6 SINGLE COIL STAINLESS STEEL WASHER		4
59	230704	30 AMP MAXI FUSE		1
60	221091	20 AMP MAXI FUSE		1
61	903602	FUSE COVER PLATE		1
62	915495	24V TANGENTIAL DISCHARGE 2-STAGE VAC MOTOR ASSEMBLY		1
63	902666	BATTERY CONNECTOR (M6 - M10)		4
64	904403	BARBED RIVET BLACK		2
65	904708	FLOAT STOP MOULDING		1
66	904709	FLOAT MOULDING		1
67	909664	FRONT COVER PLATE (CHARGERLESS) IWS PAINTED SILVER		2
68	220904	CABLE CLIP PLATFORM		2
69	291135	M6 X 10MM LONG STAINLESS STEEL POZI PAN SEMS SCREW		4
70	904491	M6 X 16MM SLOT KNURLED THUMB SCREW NYLON (WHITE)		2
71	291145	M4 SHAKEPROOF WASHER STAINLESS STEEL		4
72	903736	24V ALBRIGHT CONTACTOR (S160-2009)		2
73	219697	M4 X 8MM LONG POZI PAN STAINLESS STEEL SCREW		4
74	909293	BACK PLATE GASKET (2)		1
75	909292	TGB4045/56 BACK PLATE CW NUTSERTS PAINTED SILVER		1
76	909471	FUSE AND CONTACTORS BRACKET PAINTED SILVER		1
77	909639	60MM HEXAGONAL SPACER (M6 FEMALE TO FEMALE)		2
78	219646	M6 X 16MM LONG POZI PAN STAINLESS STEEL SCREW		2

Numatic International Spare Parts

Model No: TGB4045/4055 EXPLODED VIEW: CHASSIS

NB: FOR WIRING SEE DRAWING: N/A

910871
DRAWING: DRW-22935 ISS:A08
03/07/2019



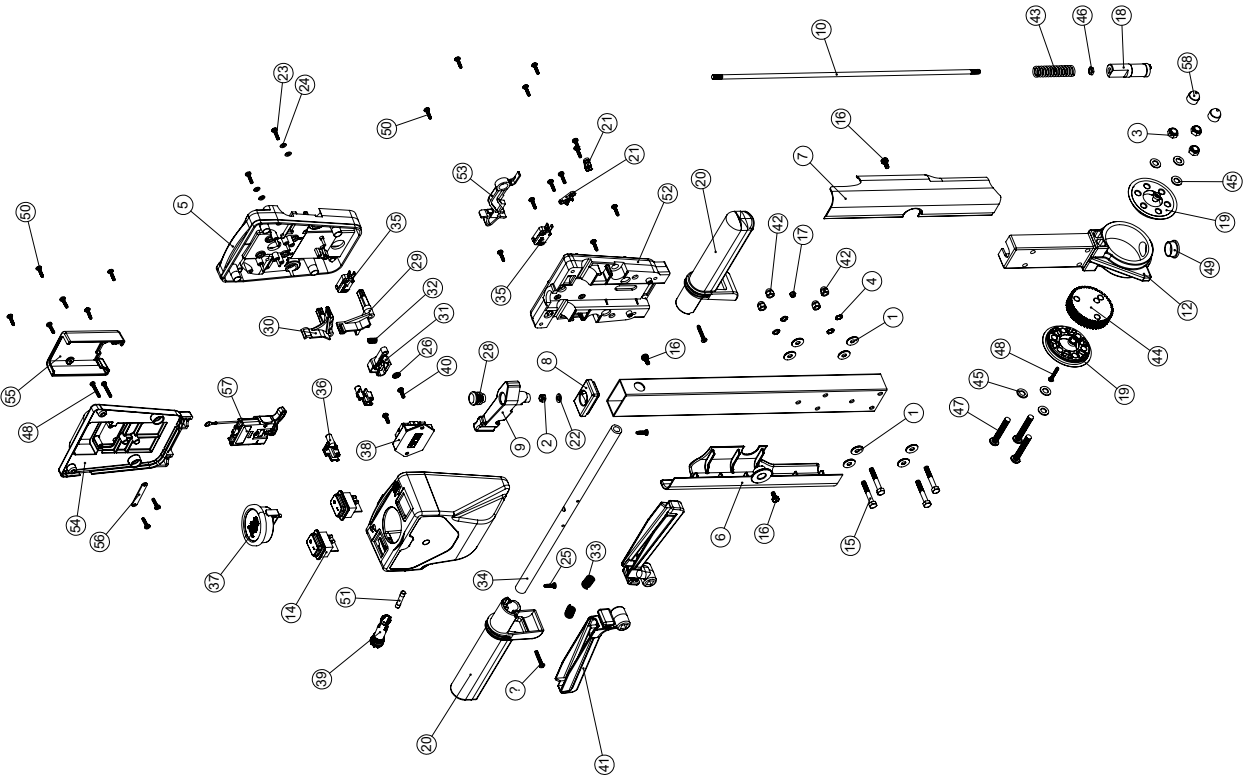
Numatic International Spare Parts

Model No: TGB4045/4055 EXPLODED VIEW: CHASSIS

ITEM:	PART No:	DESCRIPTION	COMMENTS:	QTY
1	219719	M6 X 16MM LONG HEXAGONAL STAINLESS STEEL HEAD BOLT		7
2	219647	M6 FORM G STAINLESS STEEL WASHER		9
3	291132	M6 X 16MM LONG STAINLESS STEEL POZI PAN SEMS SCREW		2
4	219568	NO8/3/4 INCH LG POZI PAN SCREW STAINLESS STEEL PLASTITE		2
5	902353	M6 EXTERNAL SHAKEPROOF WASHER STAINLESS STEEL		8
6	219642	M6 STAINLESS STEEL NYLON INSERT NUT		2
7	219639	M6 STAINLESS STEEL NYLON INSERT NUT		3
8	219644	M5 FORM G STAINLESS STEEL WASHER		3
9	219669	NO8 X 1/2 INCH LONG POZI PAN STAINLESS STEEL PLASTITE SCREW		4
10	219633	M5 STAINLESS STEEL NYLON INSERT NUT		3
11	900986	NYLON GROMMET NUT (PLASTIC INSERT TO SUIT No 8 PLASTITE SCREW)		6
12	903559	TGB4045/4055 CHASSIS WELD ASSY (12SWG MS) PAINT SILVER		1
13	208713	80MM DIAMETER WHITE WHEEL		2
14	304359	TT/TTB/4045/4055 SQUEEGEE MOUNT WELD ASSEMBLY		1
15	237632	SHOULDER BOLT COVER		3
16	NA	160mm WHEEL WITH POLYURETHENE TYRE		2
17	304356	FLOOR TOOL PIVOT TUBE		1
18	208954	SPIRO SPACER		2
19	206964	SLIDE NYLON SPACER		4
20	291125	M6 X 40 LONG HEX BOLT STAINLESS STEEL		1
21	901006	FILTER MOUNTING BRACKET		1
22	208888	EXTENDED STRAINER		1
22a	208827	STRAINER BLACK TOP	SPARE PART	1
22b	208889	EXTENDED STRAINER 90 MESH SCREEN	SPARE PART	1
22c	208830	STRAINER GASKET	SPARE PART	1
22d	208890	EXTENDED STRAINER CLEAR BOWL	SPARE PART	1
23	901542	12MM PUSH FIT TO 10MM HOSE TAIL BALL VALVE ASSEMBLY		1
23a	901544	TAP HANDLE C/W COVER AND M3X8MM SCREW (SPARE ITEM)		1
24	392314	10MM TAP BRACKET		1
25	219578	M8 FORM A STAINLESS STEEL WASHER		5
26	208578	DECK LOCK SPRING		1
27	391453	SILICON TUBE 750MM LONG X 8MM ID X 3.2MM WALL SECTION		1
28	391452	SILICON TUBE 8MM ID X 3.2MM WALL SECTION (CUT 180MM)		1
29	321902	SILENCER CLAMP		1
30	391440	1/2 INCH X 1/8 X 4MM LONG STAINLESS STEEL SPACER TUBE		2
31	219894	M10 X 60MM LONG HEXAGONAL STAINLESS STEEL BOLT		2
32	208312	IGUS BEARING (GFM 101205)		6
33	208619	FLOOR TOOL SPRING		1
34	291057	M8 X 10 X 55MM LONG HEX SOCKET SHOULDER BOLT		2
35	208574	M8 X 10 X 60MM LONG HEX SOCKET SHOULDER BOLT		1
36	219903	M10 FORM A STAINLESS STEEL WASHER		8
37	901553	NYLON TUBE 12MM OD X 10MM ID (65MM)		1
38	903611	TGB TRANSPORT WHEEL BRACKET WELD ASSEMBLY PAINT SILVER		1
39	901545	ELBOW ANGLE CONNECTOR 12MM PUSH IN TO 12MM STEM		1
40	901558	M5 X 60MM STAINLESS STEEL POZI PAN MACHINE SCREW		3
41	901280	LATCH BLOCK BOTTOM MouldING		1
42	901279	LATCH BLOCK TOP MouldING		1
43	304466	FLOOR TOOL BRACKET ASSEMBLY (TT/TTB/4045/4055)		1
44	206953	DETENT PINS		2
45	219925	M6 X 25MM LONG STAINLESS STEEL HEX SCREW		1
46	903683	ANTI-STATIC STRAP (CUT TO LENGTH: 270MM LONG)		1
47	219897	M10 STAINLESS STEEL NYLON INSERT NUT		2
48	904440	DECK LATCH BAR		1
49	219355	M6 FORM A STAINLESS STEEL WASHER		5

Numatic International Spare Parts
 TGB 3045/4045/4055 CHARGERLESS HANDLE ASSEMBLY
Model No: EXPLODED VIEW

NB: FOR WIRING SEE DRAWING: WD-0772



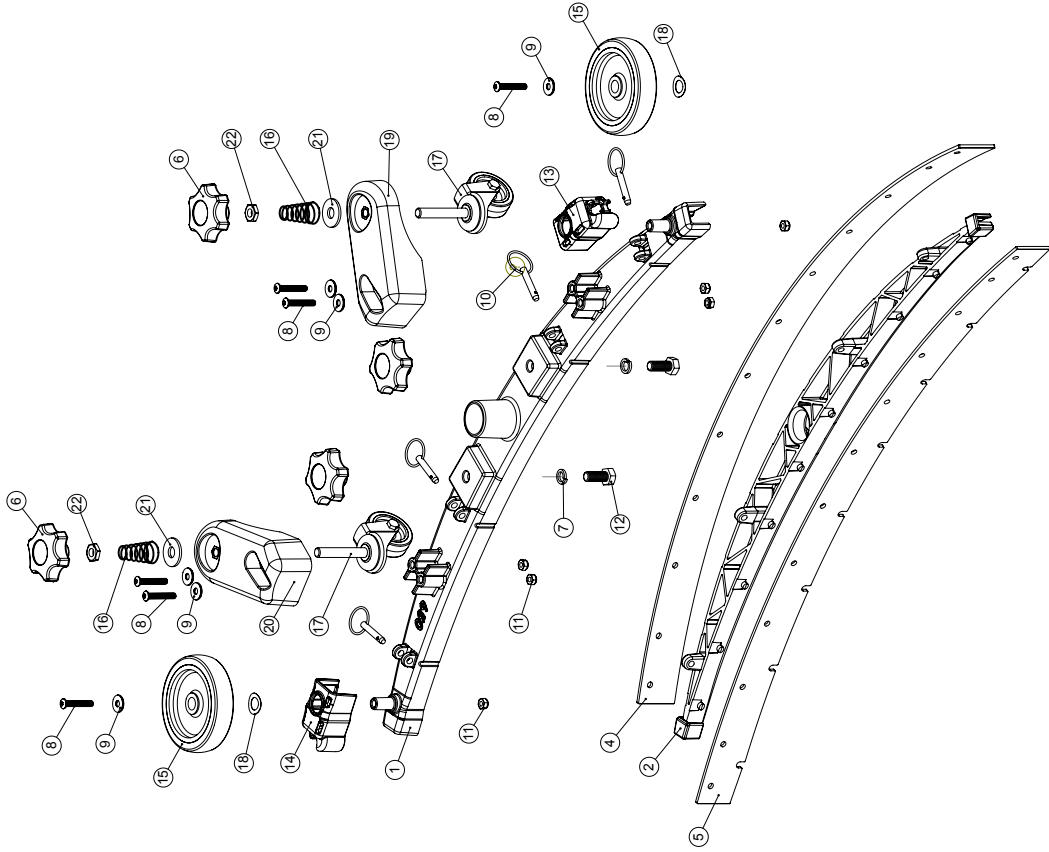
Numatic International Spare Parts
 TGB 3045/4045/4055 CHARGERLESS HANDLE ASSEMBLY EXPLODED VIEW
Model No:

ITEM:	PART No:	DESCRIPTION	COMMENTS:	QTY:
1	219647	M6 FORM G STAINLESS STEEL WASHER		8
2	219642	M6 STAINLESS STEEL NYLON INSERT NUT		1
3	219639	M8 STAINLESS STEEL NYLON INSERT NUT		3
4	902353	M6 EXTERNAL SHAKPROOF WASHER STAINLESS STEEL		4
5	227576	FRONT INNER HALF MOULDING		1
6	237692	HANDLE CABLE COVER L/H	FLAME RETARDANT 120V USE 904907	1
7	237693	HANDLE CABLE COVER R/H	FLAME RETARDANT 120V USE 904908	1
8	903546	HANDLE PLUG MOULDING (RED)		1
9	903545	ADJUSTMENT LEVER MOULDING (RED)		1
10	229461	440MM HANDLE LOCKING ROD		1
11	903603	TGB/TTG 430MM PROCESSED ALL HANDLE PAINT SILVER		1
12	900398	HANDLE CASTING MACHINED (HNS VERSION)		1
13	903556	TGB HANDLE FRONT COVER TFPP		1
14	902235	SWITCH DPST RED ILLUMINATED WITH MEMBRANE 24V		2
15	291125	M6 X 40 LONG HEX BOLT STAINLESS STEEL		4
16	291131	M5 X 12MM LONG STAINLESS STEEL POZI PAN SEMS SCREW		3
17	229009	BLANKING PLUG		1
18	229073	GEAR LOCKING PIN		1
19	900396	ADJUSTMENT GEAR SPACER		2
20	227580	HAND GRIP MOULDING	FLAME RETARDANT 120V USE 237544	2
21	229669	LOLINE HANDLE CABLE CLAMP		2
22	219493	M6 NYLON WASHER		1
23	219914	N06 X 5/8 INCH LONG POZI-PAN PLASTITE STAINLESS STEEL SCREW		10
24	219688	M4 FORM A STAINLESS STEEL WASHER		4
25	219036	N08 X 5/8 INCH LONG POZI PAN SELF TAPPING SCREW		2
26	219805	4MM SPIREXIF		1
27	219369	N08 X 1 INCH LONG POZI PAN STAINLESS STEEL PLASTITE SCREW		2
28	20638V	19MM BLACK TUBE END STOP		1
29	227585	LEFT HAND SWITCH OPERATING LEVER MOULDING		1
30	227586	RIGHT HAND SWITCH OPERATING LEVER MOULDING		1
31	227587	CENTRE SWITCH OPERATING LEVER MOULDING		1
32	219804	SWITCH COMPRESSION SPRING		1
33	219803	TRIGGER COMPRESSION SPRING		2
34	338269	CROSS TUBE		1
35	229483	SNAP ACTION SWITCH		2
36	903558	TGB HANDLE BOSS		2
37	914620	BATTERY HOURS METER NE306		1
38	903766	DMH Terminal Block PCB Assembly		1
39	903032	BULGIN PANEL MOUNT FUSEHOLDER		1
40	219569	N08 X 1/2 INCH LONG POZI PAN STAINLESS STEEL PLASTITE SCREW		2
41	903547	TRIGGER MOULDING (RED)		2
42	219764	M6 STAINLESS STEEL DOME NUT		4
43	229138	SPRING 15.85MM OD 76.5MM FREE LENGTH		1
44	900397	MINI ADJUSTMENT GEAR		1
45	219578	M8 FORM A STAINLESS STEEL WASHER		6
46	219099	M6 HALF NUT		1
47	219922	M8 X 50MM LONG SOCKET BUTTON HEAD STAINLESS STEEL BOLT		3
48	291150	N06 X 1 INCH LONG POZI PAN SCREW S/S		3
49	229099	25MM DIA HOLE PLUG		1
50	219370	N08 X 5/8 INCH LONG PLASTITE STAINLESS STEEL SCREW		12
51	903066	FUSE 2.5A (6.3x32)		1
52	229509	REAR INNER HALF MOULDING (FR)		1
53	227584	INTERLOCK LEVER MOULDING		1
54	903689	TGB CHARGERLESS REAR COVER		1
55	903690	TGB CHARGERLESS PLUG COVER		1
56	903691	CABLE HOLDER PLATE		1
57	323217	LOOM ASSEMBLY - 1 CIRCUIT		1
58	903260	M8 BOLT AND NUT CAP		2

Numatic International Spare Parts
Model No: 650 TWINTEC ALUMINIUM FLOOR TOOL (38MM HOSE, RED TRIM, SERILOR BLADES)

903347
 Drawing: DRW-22621 ISS:A09
 27/03/2018

NB: FOR WIRING SEE DRAWING: N/A



Numatic International Spare Parts

Model No: 650 TWINTEC ALUMINIUM FLOOR TOOL (38MM HOSE, RED TRIM, SERILOR BLADES)

ITEM:	PART No:	Description	Qty
1	208198	(650MM SCRUB WIDTH) ALUMINIUM SQUEEGEE CASTING (38MM HOSE FITTING)	1
2	903345	(650MM SCRUB WIDTH) RED BLADE HOLDER Moulding (SLOPING PROFILE) (32MM & 38MM HOSE FITTING)	1
	900518	650 REPLACEMENT SERILOR GREEN POLYURETHANE BLADES SET	
4	208970	(650MM SCRUB WIDTH) REPLACEMENT (4.0MM / 35-45 SHORE A) REAR LAMINATED SERILOR POLYBLADE (847MM LONG)	1
5	208987	(650MM SCRUB WIDTH) REPLACEMENT (3.2MM / 40 SHORE A) FRONT MONOLAYER SERILOR POLYBLADE (819MM LONG)	1
6	903281	M10 LOBE KNOB (RED)	4
7	219889	M10 SINGLE COIL STAINLESS STEEL WASHER	2
8	219933	M6 X 35MM SOCKET BUTTON HEAD BOLT STAINLESS STEEL	6
9	219647	M6 FORM G STAINLESS STEEL WASHER	6
10	206953	DETENT PINS	4
11	219642	M6 STAINLESS STEEL NYLON INSERT NUT	6
12	219909	M10 X 25MM LONG HEXAGONAL STAINLESS STEEL SCREW	2
13	237322	RIGHT HAND FLOOR TOOL CLIP MOULDING	1
14	237323	LEFT HAND FLOOR TOOL CLIP MOULDING	1
15	208796	4 INCH WHEEL	2
16	229175	CONICAL SPRING	2
17	907759	50MM DIAMETER GREY TPR TYRED SWIVEL CASTOR C/W M10 X 60 SWAGED STEM.	2
18	219891	13MM WAVEY WASHER	2
19	906860	ADJUSTABLE FLOOR TOOL CASTOR PLASTIC PLATE LEFT	1
20	906859	ADJUSTABLE FLOOR TOOL CASTOR PLASTIC PLATE RIGHT	1
21	291124	M10 PENNY WASHER STAINLESS STEEL	2
22	219951	A4 (STAINLESS STEEL) M10 HEX LOCK NUT (HALF NUT)	2

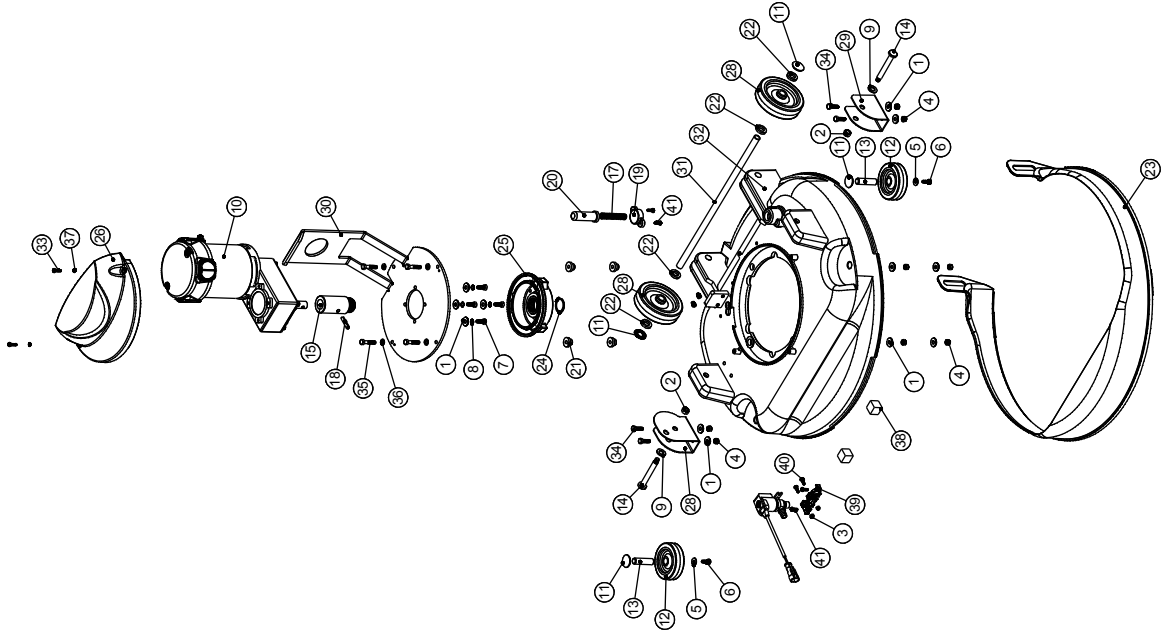
Numatic International Spare Parts

Model No: TGB4055 EXPLODED VIEW: BRUSH DECK

910877
DRAWING: DRW-23008 ISS:A08
03/07/2019

NB: FOR WIRING SEE DRAWINGS:

230V : DRW-22704
120V : DRW-23196



Numatic International Spare Parts

Model No: TGB4055 EXPLODED VIEW: BRUSH DECK

ITEM:	PART No:	DESCRIPTION	COMMENTS:	QTY
1	219647	M6 FORM G STAINLESS STEEL WASHER		12
2	219639	M8 STAINLESS STEEL NYLON INSERT NUT		2
3	219687	M4 STAINLESS STEEL NYLON INSERT NUT		2
4	219642	M6 STAINLESS STEEL NYLON INSERT NUT		8
5	219644	M5 FORM G STAINLESS STEEL WASHER		2
6	291132	M5 X 16MM LONG STAINLESS STEEL POZI PAN SEMS SCREW		2
7	219719	M6 X 16MM LONG HEXAGONAL STAINLESS STEEL HEAD BOLT		4
8	902353	M6 EXTERNAL SHAKEPROOF WASHER STAINLESS STEEL		4
9	219903	M10 FORM A STAINLESS STEEL WASHER		2
10	205245	AMER 100RPM MOTOR		1
11	204021	12.7MM STAINLESS STEEL HUB CAP		4
12	204068	3 INCH GREY WHEEL		2
13	206013	BUFFER WHEEL PIN		2
14	208626	T/T/TB4055 PIVOT PIN		2
15	208727	DRIVE SHAFT		1
16	219008	M4 BRASS TAPPEX INSERT		2
17	219692	COMPRESSION SPRING		1
18	291079	6MM X 30MM STAINLESS STEEL ROLL PIN		1
19	223242	PLUNGER MOUNTING PLATE MouldING		1
20	229128	PLUNGER		1
21	229285	MOTOR MOUNTING SPACER		4
22	229346	SPACER		4
23	229562	SPLASH SKIRT MouldING		1
24	230048	26MM EXTERNAL CIRCLIP		1
25	230207	DIE CAST CHUCK MACHINED		1
26	237380	AMER MOTOR COVER		1
28	329112	100MM WHEEL		2
28	392248	DECK MOUNT BRACKET		1
29	392279	DECK MOUNT RH (650 DECK VERSION)		1
30	392362	MOTOR ADAPTOR PLATE PAINT SILVER GREY		1
31	391439	1/2 INCH DIAMETER X 18G STAINLESS STEEL TUBE (0.375)		1
32	304404	T/TB4055 DECK MouldING DRILLED (NEW DESIGN)		1
33	219662	M4 X 16MM LONG POZI PAN STAINLESS STEEL SCREW		2
34	219976	M6 X 20MM LONG HEXAGONAL HEAD SET SCREW		4
35	291022	M6 X 30MM LONG STAINLESS STEEL HEXAGONAL HEAD BOLT		4
36	219870	M6 FORM A WASHER STAINLESS STEEL		4
37	291145	M4 SHAKEPROOF WASHER STAINLESS STEEL		2
38	902352	FOAM SPACER 20MM		2
39	902556	SOLENOID MOUNT MouldING		1
40	219890	M4 X 12MM LONG POZI PAN STAINLESS STEEL SCREW		2
41	219569	N68 X 1/2 INCH LONG POZI PAN STAINLESS STEEL PLASTITE SCREW		4
42	902949	TERMINATED SOLENOID CABLE BLACK: 1.25.0M5.2.24		1

Numatic International Limited (Head Office)

Chard, Somerset TA20 2GB, UNITED KINGDOM

Tel: 01460 68600 numatic.com

Numatic International GmbH

Fränkische Straße 15-19, 30455 Hannover, DEUTSCHLAND

Tel: +49 (0) 511 984 2160 numatic.de

Numatic International Denmark

Fränkische Straße 15-19, 30455 Hannover, DEUTSCHLAND

Tel: +45 (0) 316 40808 numatic-online.dk

Numatic International S.A.S

13/17 rue du Valengelier, EAE la Tuilerie, 77500 Chelles, FRANCE

Tel: +33 (0) 164 726 161 numatic.fr

Numatic International BV

Vennootsweg 15, 2404 CG, Alphen aan den Rijn, NEDERLAND

Tel: +31 (0) 172 467 999 numatic.nl

Numatic International Schweiz AG.

Sihlbruggstrasse 3A, 6340 Baar, SCHWEIZ

Tel: +41 (0) 41 768 0760 numatic.ch

Numatic International (PTY) Ltd.

Cnr. 16th & Pharmaceutical Road, Randjes Park, Midrand 1685, SOUTH AFRICA

Tel: +27 (0) 861 686 284 numatic.co.za

Numatic International ULDA

Rua Francisco da Silva Duarte, nº79,

4475-269 Santa Maria de Avioso, Castelo da Maia, PORTUGAL

Tel: +351 220 047 700 numatic.pt

Numatic International Spain, S.L.U.

Av. Baix Llobregat, 5-7, Oficina bajos 1 (Parc Negocis Mas Blau II)

08820 El Prat de Llobregat (Barcelona), SPAIN

Tel: +34 93 647 22 22 numatic.es

Numatic International Italy S.R.L

Via Luigi Galvani, 2, Z.I. Talponedo, 33080 Porcia (PN), ITALY

Tel: +39 (0) 434 046 211 numatic.it