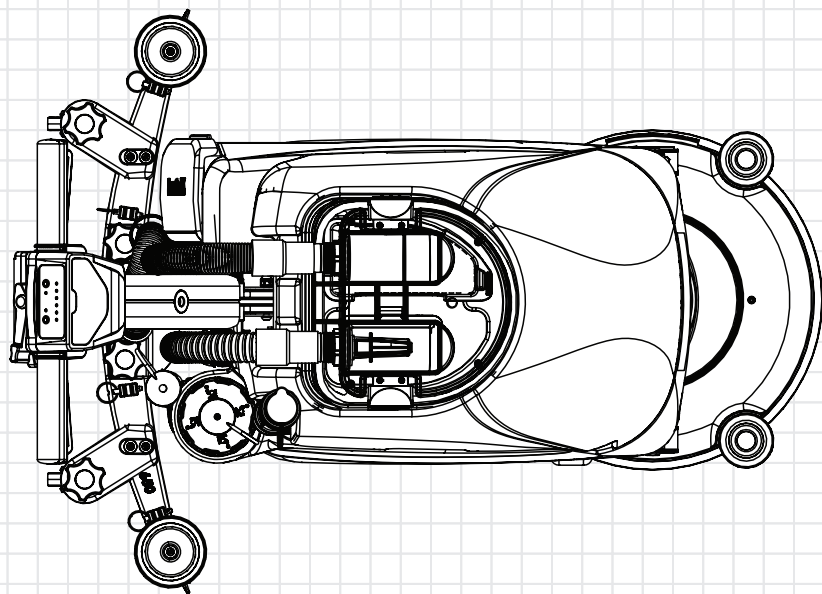
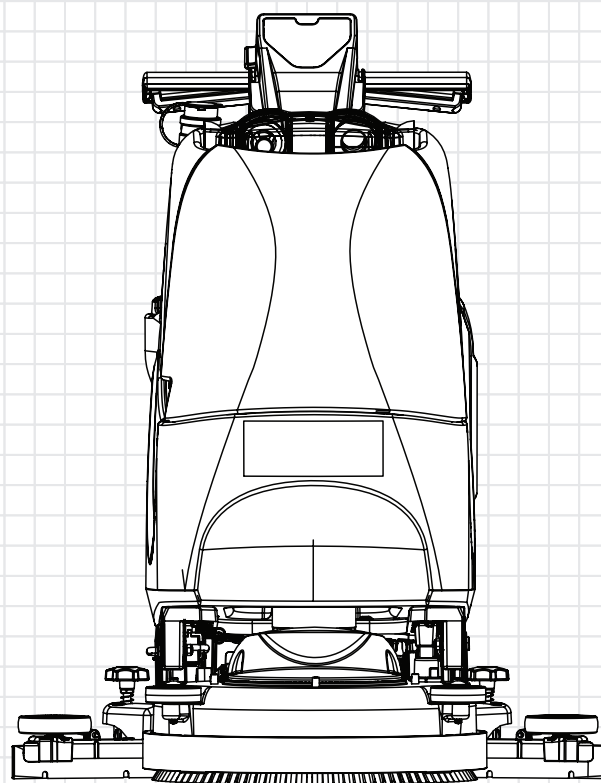
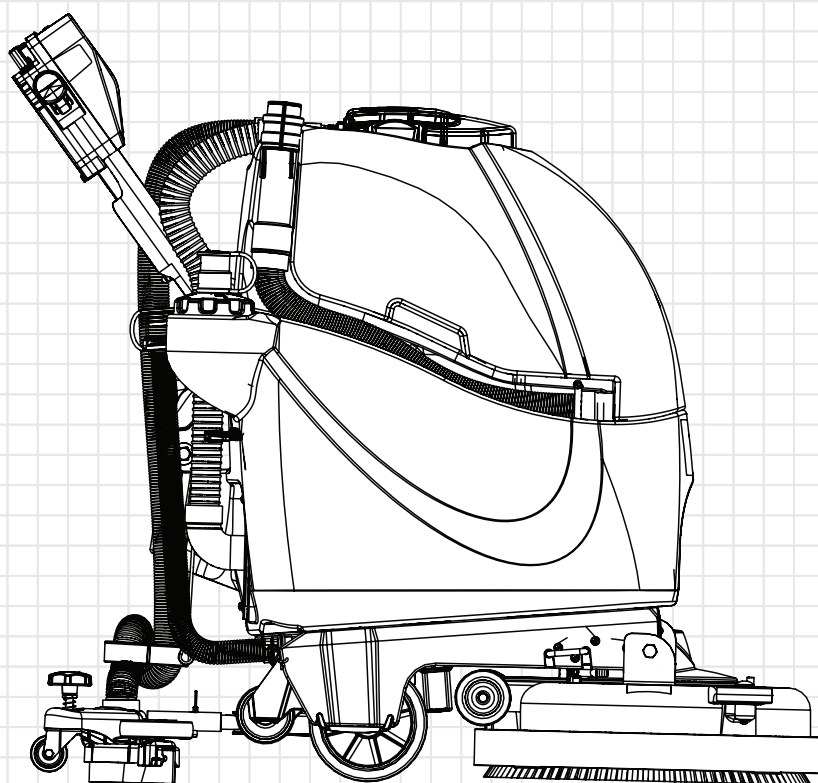


TTB3045NX



Service Engineer Exploded Drawings



DISCLAIMER:

These drawings are for part order reference only and intended for service engineers use.

The installation of Genuine Numatic spare parts should only be executed by Certified Numatic service engineers who specialised and familiar with all relevant safety regulations.

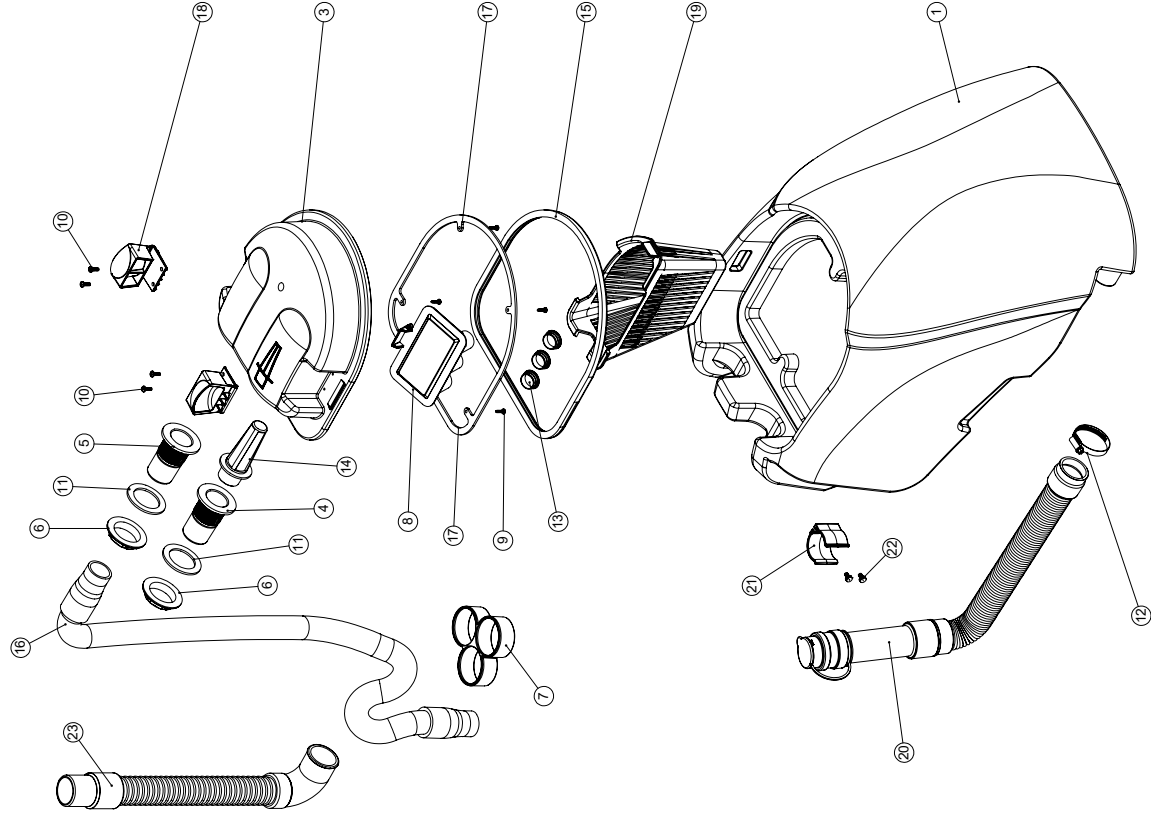
Numatic International Ltd do not accept responsibility or liability for any loss or damage to property or person if repairs or servicing of products are carried out by non-certified persons.

Specifications and parts are subject to change without notice.

Numatic International Spare Parts

Model No: TGB 3045 (& HGB) TOP TANK ASSEMBLY EXPLODED VIEW

903638
 Internal Code: DRAWING: DRW-21692 ISS:A21
 07/09/2021



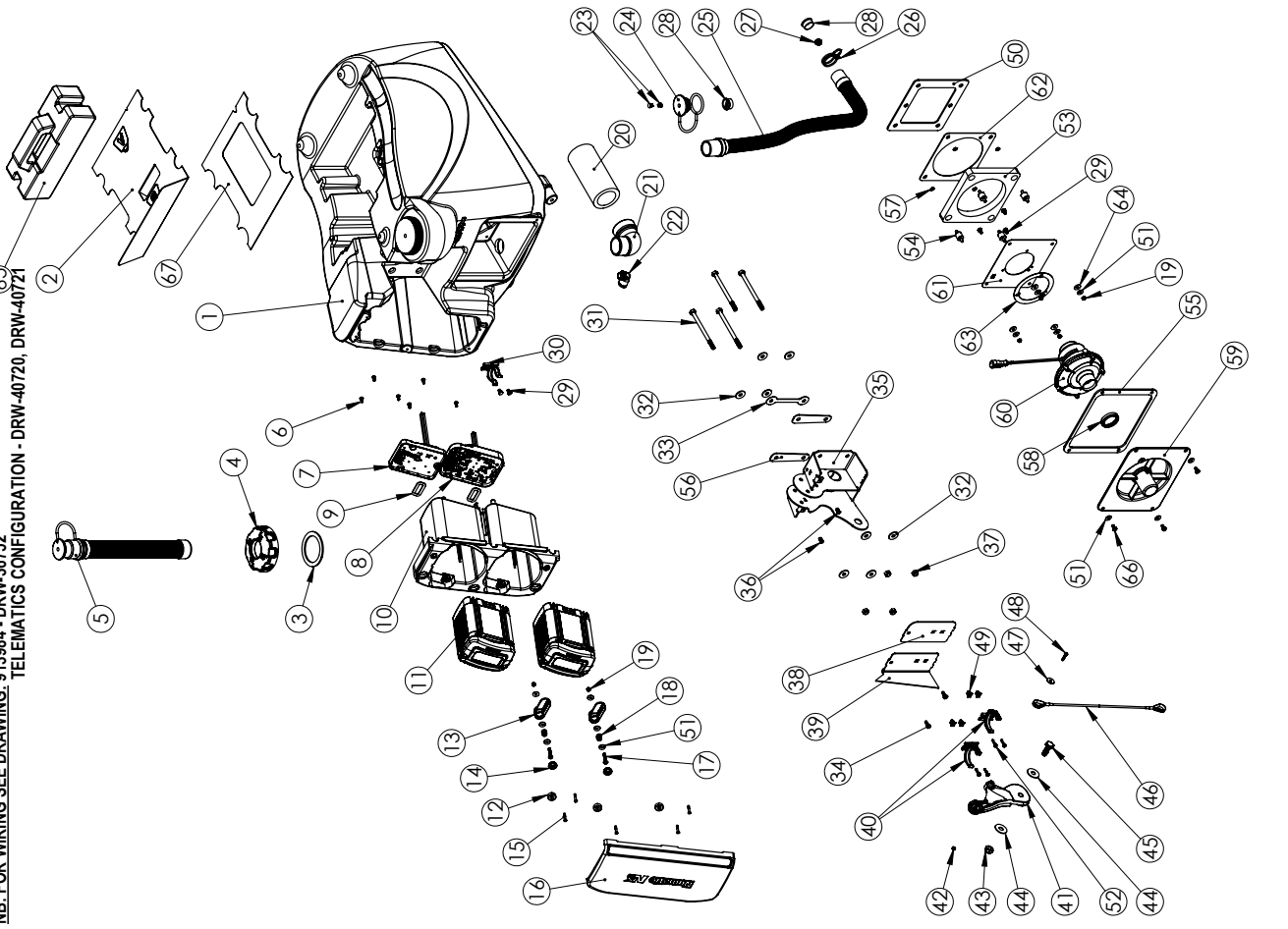
Numatic International Spare Parts

Model No: TGB 3045 (& HGB) TOP TANK ASSEMBLY EXPLODED VIEW

ITEM:	PART No:	Description	Comments	QTY
1	N/A	TGB3045 TOP TANK MOULDING		1
	904727	HGB3045 TOP TANK MOULDING (BLACK)	HGB	
3	237381	INTEGRATED CHASSIS SEPARATOR		1
4	237526	38MM RED DRAIN HOSE CONNECTOR		1
5	237018	38MM DRAIN HOSE CONNECTOR		1
6	206116	BLACK NUT		2
7	237718	HOSE GUIDE		1
8	237090	SEPARATOR FLOAT MOULDING (MK 2)		1
9	219852	N06 X 1/2 LONG POZI PAN STAINLESS STEEL SELF TAP SCREW		4
10	219569	N08 X 1/2 INCH LONG POZI PAN STAINLESS STEEL PLASTITE SCREW		4
11	219310	RUBBER WASHER		2
12	219919	32MM-50MM STAINLESS STEEL HOSE CLIP		1
13	206315	TUBE END PLUG		3
14	206265	TT/B 345 BARREL FILTER		1
15	208591	NEW SEPARATOR GASKET		1
16	N/A	35MM X 690MM LONG 3:1 STRETCH HOSE (SHORT & LONG CUFF)		1
17	392200	FILTER GASKET RING		1
18	902919	CLIP MOULDING (RED)		2
19	906070	MESHLESS FILTER BASKET		1
20	N/A	35MM X 250MM STRETCH HOSE (3:1) C/W ADJUSTABLE CUFF + CAP		1
21	237382	ACETAL HOSE CLIP MOULDING		1
22	291135	M5 X 10MM LONG STAINLESS STEEL POZI PAN SEMS SCREW		2
23	905520	VAC HOSE 580MM X Ø38MM		1

Numatic International Spare Parts
Model No: TTB3045 NX BOTTOM TANK ASSEMBLY EXPLODED DRAWING

NB: FOR WIRING SEE DRAWING: 913984 - DRW-36752
TELEMATICS CONFIGURATION - DRW-40720, DRW-40721



Numatic International Spare Parts
Model No: TTB3045 NX BOTTOM TANK ASSEMBLY EXPLODED DRAWING

ITEM:	ITEM No:	DESCRIPTION	COMMENTS	Default/QTY:
1	N/A	TTB-3045-NX BOTTOM TANK Moulding (GRAPHITE)		1
2	914293	WEIGHTS SPACER (PP)		1
3	208564	FILLER CAP SEALING RING		1
4	237174	FILLER CAP WITH FILLER HOSE HOLE		1
5	903695	28MM X 270MM LONG 3:1 STRETCH HOSE C/W RED CAP & STRAP		1
6	219569	No8 X 1/2 INCH LONG POZI PAN STAINLESS STEEL PLASTITE SCREW	Torque Setting 2.6NM	6
7	913966	NX3045 SECONDARY PCB ASSEMBLY	Wired version	1
8	914653	NX3045 SECONDARY PCB ASSEMBLY	Wired version	1
9	913965	NX3045 MAIN PCB ASSEMBLY		1
10	905074	NX3045 MAIN PCB ASSEMBLY		2
11	913958	GASKET-MODULE-ELECTRONICS		1
12	913686	3045 NX BATTERY COMPARTMENT		2
13	208382	BATTERY 37.8100		2
14	910635	MAGNET(19MM O/D)		2
15	914505	BATTERY RETAINER CAP		2
16	913960	M4 X 25MM LG. POZI CSK 5-ST MC SCREW NYLON PATCH	Torque Setting 1.6NM	5
17	219720	NX 3045 BATTERY COMPARTMENT COVER		1
18	206599	M5 X 30MM LONG STAINLESS STEEL POZI PAN SCREW		2
19	291035	SPRING 10.65MM OD 16.5MM FREE LENGTH		2
20	208956	M5 NYLON INSERT NUT (STAINLESS STEEL)	Torque Setting 2.6NM	6
21	208583	SILENCER FOAM TUBE 150MM		1
22	901539	DIP MOULDED ELBOW (MAINS VERSION)		1
23	904403	ELBOW ANGLE CONNECTOR 3/8 PARALLEL THREAD C/W O-RING TO 12MM PUSH IN		1
24	903341	BARRED RIVET BLACK		2
25	213025	32MM HOSE CAP RED (C/W 8MM HOLE)		1
26	902133	DUMP HOSE		1
27	904109	SPRING WIRE CLAMP (VDNAC-Y8010356)		1
28	904108	FLOAT Moulding		2
29	291135	FLOAT STOP Moulding		2
30	901916	M5 X 10MM LONG STAINLESS STEEL POZI PAN SEMS SCREW	Torque Setting 2.6NM	5
31	291126	28mm HOSE CLIP		1
32	219716	M8 X 120 LONG HEX BOLT STAINLESS STEEL		4
33	904283	M8 FORM G STAINLESS STEEL WASHER		8
34	291132	CABLE RESTRAINT		1
35	903612	M5 X 1.6MM LONG STAINLESS STEEL POZI PAN SEMS SCREW	Torque Setting 2.6NM	2
36	219558	TGB 3045 HANDLE MOUNT WELD ASSEMBLY Z/P L		2
37	219639	M5 STAINLESS STEEL NUISERT		2
38	903539	M6 STAINLESS STEEL NYLON INSERT NUT	Torque Setting 10NM	4
39	913964	HANDLE MOUNT COVER PAINTED SILVER		1
40	237754	3045 NX HANDLE MOUNT LEFT COVER PAINTED SILVER		1
41	902324	35-38MM HOSE CLIP		2
42	219687	RED SQUEEGEE LIFT HANDLE		1
43	219897	M4 STAINLESS STEEL NYLON INSERT NUT		1
44	914266	M10 STAINLESS STEEL NYLON INSERT NUT		1
45	915176	M10 X 30 X 1.5 A4 S/ST FENDER WASHER		2
46	291158	M10 X 30MM STAINLESS STEEL HEX SCREW		1
47	291118	ET SQUEEGEE LIFTING WIRE		1
48	219686	M5 STAINLESS STEEL WASHER 19MM OD		1
49	900986	M4 X 20MM LONG STAINLESS STEEL POZI PAN MACHINE SCREW		1
50	208799	NYLON GROMMET NUT (PLASTIC INSERT TO SUIT NO 8 PLASTITE SCREW)		4
51	219644	TT MOTOR PLATE GASKET		1
52	219568	M5 FORM G STAINLESS STEEL WASHER		14
53	914296	N08.9/4 INCH LG. POZI PAN SCREW STAINLESS STEEL PLASTITE	Torque Setting 2.6NM	4
54	914298	3045NX AV MOUNT VAC MOTOR PLATE GASKET		1
55	902275	WDS 710 ANTI VIBRATION MOUNT (710-15150355A2)		4
56	392449	VAC PLATE GASKET		1
57	291020	HANDLE MOUNT LINK PLATE PAINT SILVER		2
58	915298	M5 STAINLESS STEEL EXTERNAL SHAKEPROOF LOCK WASHER		4
59	907553	VAC PLATE REAR GASKET		1
60	915486	VAC MOTOR PLATE Moulding		1
61	915303	CINDERSON VAC HOUSING -- ASSEMBLY (200W)		1
62	915483	CINDERSON VAC MOTOR MOUNT PLATE (TTB3045NX)		1
63	915302	TTB3045NX CINDERSON VAC MOTOR PLATE (FRONT)		1
64	219497	VAC MOTOR GASKET (TTB3045NX)		1
65	915659	M5 NYLON WASHER		4
66	291131	WEIGHTED PLATE ASSEMBLY TTB3045NX - DIP MOULDED		1
67	915765	M5 X 1.2MM LONG STAINLESS STEEL POZI PAN SEMS SCREW		4
		TTB3045NX BOTTOM TANK SELF ADHESIVE TAPE		1

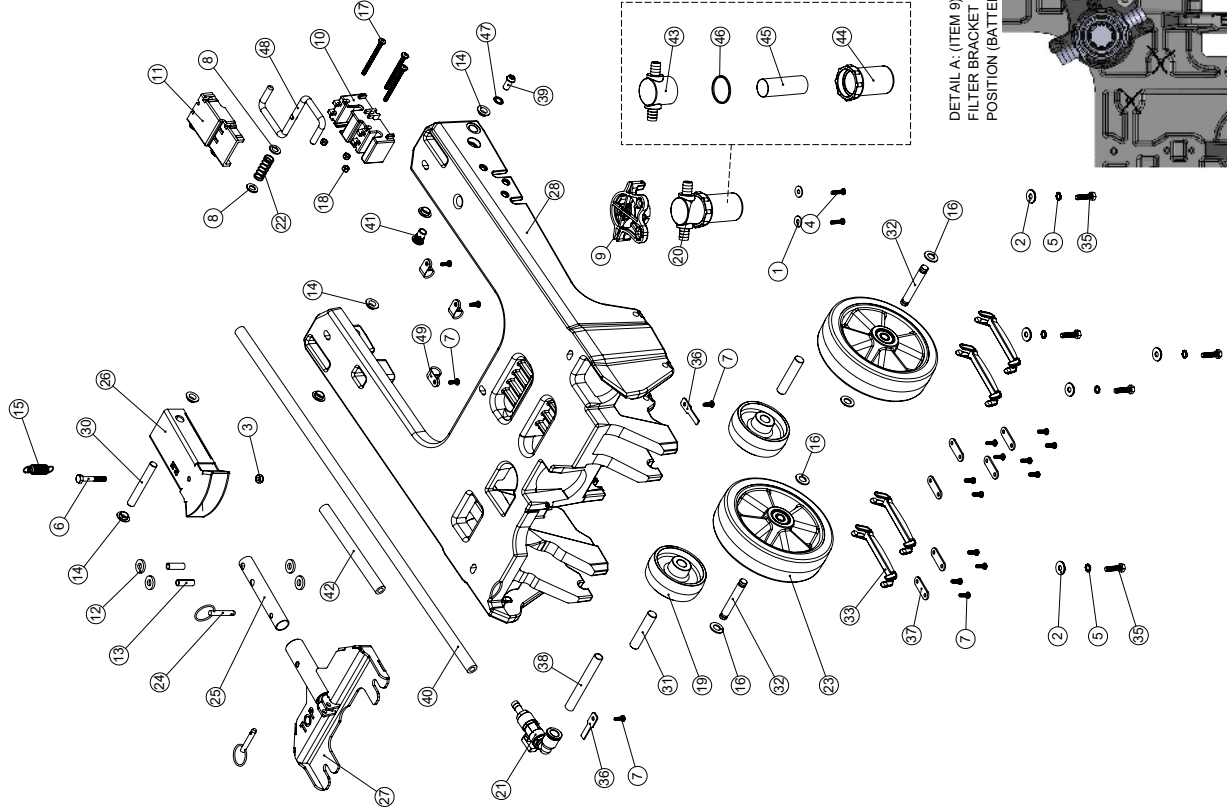
Numatic International Spare Parts

Model No: TGB 3045 (& HGB) CHASSIS ASSEMBLY EXPLODED VIEW

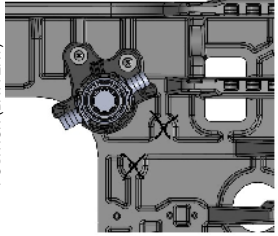
NB: FOR WIRING SEE DRAWING: DRW-22779

903635

DRAWING: DRW-22933 ISSA 15
04/02/2022



DETAIL A: (ITEM 9)
FILTER BRACKET
POSITION (BATTERY)



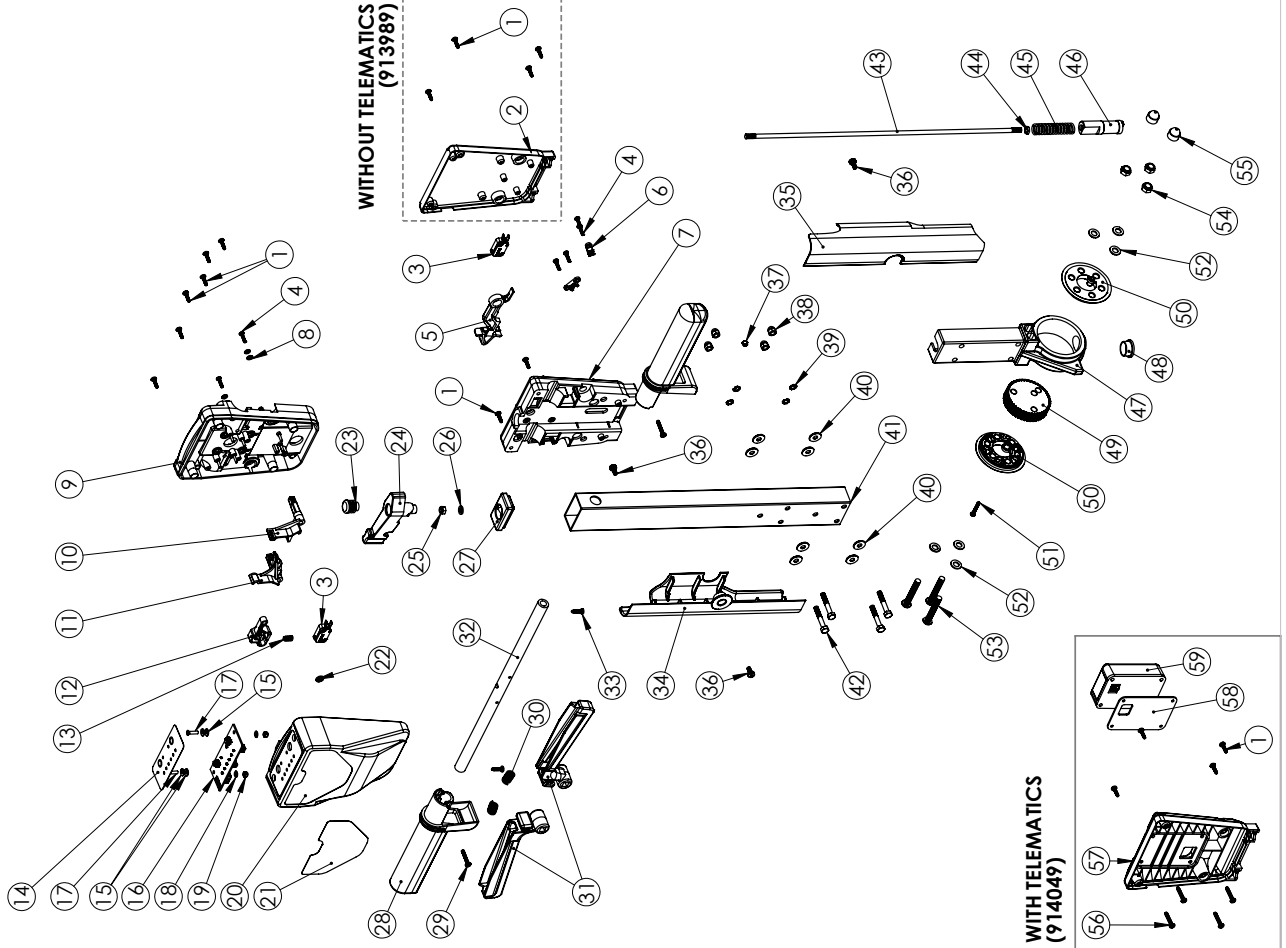
Numatic International Spare Parts

Model No: TGB 3045 (& HGB) CHASSIS ASSEMBLY EXPLODED VIEW

ITEM:	PART No:	DESCRIPTION	COMMENTS:	QTY:
1	219644	M5 FORM G STAINLESS STEEL WASHER		2
2	219647	M6 FORM G STAINLESS STEEL WASHER		5
3	219642	M6 STAINLESS STEEL NYLON INSERT NUT		1
4	219568	NO8.3/4 INCH LG.POZI-PAN SCREW STAINLESS STEEL PLASTITE		2
5	902353	M6 EXTERNAL SHAKEPROOF WASHER STAINLESS STEEL		5
6	291125	M6 X 40 LONG HEX BOLT STAINLESS STEEL		1
7	219569	NO8.1/2 INCH. LG.POZI-PAN SCREW STAINLESS STEEL PLASTITE		17
8	219578	M8 FORM A STAINLESS STEEL WASHER		2
9	901006	FILTER MOUNTING BRACKET	DETAIL A	1
10	901280	LATCH BLOCK BOTTOM MOULDING		1
11	901279	LATCH BLOCK TOP MOULDING		1
12	206964	SLIDE NYLON SPACER		4
13	206954	SPIRO SPACER		2
14	208312	IGUS BEARING (GFM 101205)		6
15	208619	FLOOR TOOL SPRING		1
16	219903	M10 FORM A STAINLESS STEEL WASHER		4
17	901558	M5 X 60MM STAINLESS STEEL POZI PAN MACHINE SCREW		3
18	219633	M5 STAINLESS STEEL NYLON INSERT NUT		3
19	206713	80MM DIAMETER WHITE WHEEL		2
20	208888	EXTENDED STRAINER		1
21	901543	12MM SWIVEL ELBOW PUSH FIT TO 10MM HOSE TAIL BALL VALVE ASSEMBLY		1
22	208578	DECK LOCK SPRING		1
23	208638	160mm WHEEL WITH POLYURETHENE TYRE		2
24	206953	DETENT PINS		2
25	304356	FLOOR TOOL PIVOT TUBE		1
26	304359	TT/TTB4045/4055 SQUEEGEE MOUNT WELD ASSEMBLY		1
27	304466	FLOOR TOOL BRACKET ASSEMBLY (TT/TTB4045/4055)		1
28	903589	T/B PLASTIC CHASSIS	HGB	1
29	904902	HGB PLASTIC CHASSIS (BLACK)		1
30	903575	AXLE BAR ST/ST 10MM DIA. 75MM LONG		1
31	903576	AXLE BAR ST/ST 12.7MM DIA. 60MM LONG		2
32	903577	AXLE BAR ST/ST 10MM DIA. 68MM LONG		2
33	903597	AXLE CLIP		4
34	905060	AXLE CLIP (BLACK)	HGB	1
35	219825	M6 X 25MM LONG STAINLESS STEEL HEX SCREW		5
36	903594	TAP PLATE		2
37	903596	AXLE PLATE		6
38	903573	NYLON TUBE 12MM OD X 10MM ID (96MM +-1.0)		1
39	903566	M8X16MM LONG STAINLESS STEEL SOCKET BUTTON HEAD BOLT		1
40	903580	SILICON TUBE 640MM LONG X 8MM I/D X 14.4MM OD		1
41	903565	M8 STAINLESS STEEL HEADED NUTSERT		1
42	903581	SILICON TUBE 155MM LONG X 8MM I/D X 14.4MM OD		1
43	208827	STRAINER BLACK TOP	PART OF ITEM 20 (208888)	1
44	208890	68MM EXTENDED STRAINER CLEAR BOWL	PART OF ITEM 20 (208888)	1
45	208889	EXTENDED STRAINER 50 MESH SCREEN	PART OF ITEM 20 (208888)	1
46	208890	STRAINER GASKET	PART OF ITEM 20 (208888)	1
47	902520	M8 INTERNAL WASHER SHAKEPROOF STAINLESS STEEL		1
48	904440	DECK LATCH BAR		1
49	219465	P-CLIP		3

913989, 914049
 DRAWING: DRW-36522 ISS:A05
 09/03/2023

Numatic International Spare Parts
Model No: TTB 3045 NX HANDLE ASSEMBLY EXPLODED DRAWING
 NB: FOR WIRING SEE DRAWING: 913989 - DRW-36752
 914049 - DRW-40720, DRW-40721



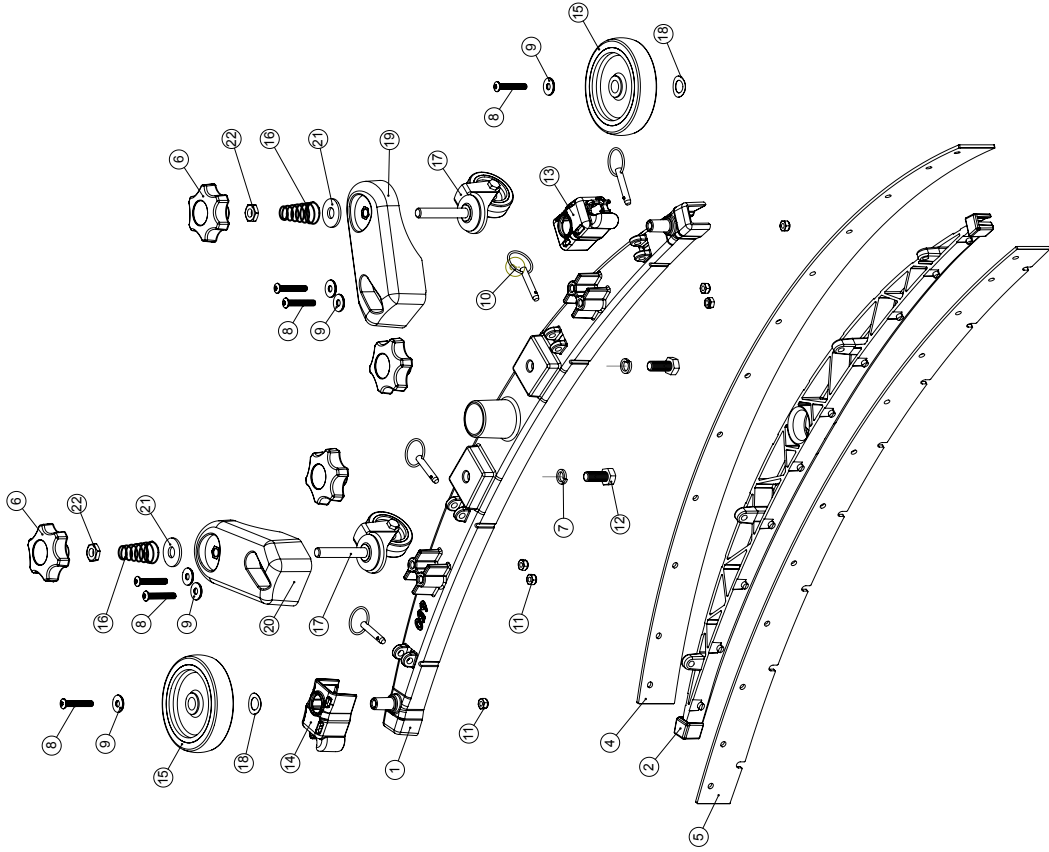
Numatic International Spare Parts
Model No: TTB 3045 NX HANDLE ASSEMBLY EXPLODED DRAWING

ITEM:	PART No.:	DESCRIPTION:	COMMENTS:	QTY.
1	219370	No8 X 5/8 INCH LONG PLASTIEE STAINLESS STEEL SCREW	Torque Setting 2.6NM	12
2	227579	REAR COVER MouldING	STANDARD CONFIGURATION ONLY (913989)	1
3	229483	SNAP ACTION SWITCH		2
4	219107	NO6.5/8 INCH I.G. POZI-PAN SCREW Z/PL PLASTIEE	Torque Setting 1.6NM	6
5	227584	INTERLOCK LEVER MouldING		1
6	229669	LOLINE HANDLE CABLE CLAMP		2
7	237543	REAR INNER HALF MouldING (FR)		1
8	219206	M4 FORM A WASHER		4
9	227576	TALC FILLED FRONT INNER HALF MouldING		1
10	227585	LEFT HAND SWITCH OPERATING LEVER MouldING		1
11	227586	RIGHT HAND SWITCH OPERATING LEVER MouldING		1
12	227587	CENTRE SWITCH OPERATING LEVER MouldING		1
13	219804	SWITCH COMPRESSION SPRING		1
14	911348	TTB 1840 36V CONTROL PANEL OVERLAY		1
15	208521	NYLON WASHER 10.0 OD X 4.1 ID X 1.0MM		4
16	911543	ASSEMBLY: 1840 DISPLAY		1
17	219407	M4 X 1.6MM LONG POZI PAN COUNTERSUNK SCREW		2
18	219688	M4 FORM A STAINLESS STEEL WASHER		2
19	219083	M4 NYLON INSERT NUT	Torque Setting 1.6NM	2
20	911562	TTB 1840 36V FRONT COVER MouldING		1
21	914736	TTB3045NX HANDLE FRONT LABEL	DOC-44472	1
22	219805	4MM SPIREX		1
23	20638V	19MM BLACK TUBE END STOP		1
24	903545	ADJUSTMENT LEVER MouldING (RED)		1
25	219642	M6 STAINLESS STEEL NYLON INSERT HALF NUT	Torque Setting 8NM	1
26	219493	M6 NYLON WASHER		1
27	903546	HANDLE PLUG MouldING (RED)		1
28	227580	HAND GRIP MouldING		2
29	219811	NO8 X 1 INCH LONG POZI-PAN SELF TAP SCREW	Torque Setting 2.6NM	2
30	219803	TRIGGER COMPRESSION SPRING		2
31	903547	TRIGGER MouldING (RED)		2
32	338269	CROSS TUBE		1
33	219036	No8 X 5/8 INCH LONG POZI PAN SELF TAPPING SCREW	Torque Setting 2.6NM	2
34	237692	HANDLE CABLE COVER L/H		1
35	237693	HANDLE CABLE COVER R/H		1
36	291131	M5 X 12MM LONG STAINLESS STEEL POZI PAN SEMS SCREW	Torque Setting 2.6NM	3
37	229009	BLANKING PLUG		1
38	219764	M6 STAINLESS STEEL DOME NUT		1
39	902353	M6 EXTERNAL SHAKEPROOF WASHER STAINLESS STEEL		4
40	219647	M6 FORM G STAINLESS STEEL WASHER		4
41	903603	TGB/ITG-430MM PROCESSED ALL HANDLE PAINT SILVER		8
42	291125	M6 X 40 LONG HEX BOLT STAINLESS STEEL	Torque Setting 8NM	1
43	229461	440MM HANDLE LOCKING ROD		4
44	219099	M6 HALF NUT		1
45	229138	SPRING 15.85MM OD 76.5MM FREE LENGTH		1
46	229073	GEAR LOCKING PIN		1
47	900398	HANDLE CASTING MACHINED (HNS VERSION)		1
48	229099	25MM DIA HOLE PLUG		1
49	900397	MINI ADJUSTMENT GEAR		1
50	900396	ADJUSTMENT GEAR SPACER		1
51	291150	NO6 X 1 INCH LONG POZI-PAN SCREW S/S	Torque Setting 1.6NM	2
52	219578	M8 FORM A STAINLESS STEEL WASHER		1
53	219922	M8 X 50MM LONG SOCKET BUTTON HEAD STAINLESS STEEL BOLT		6
54	219639	M8 STAINLESS STEEL NYLON INSERT NUT		3
55	903260	M8 BOLT AND NUT CAP	Torque Setting 8NM	3
56	219569	No8 X 1/2 INCH LONG POZI PAN STAINLESS STEEL TAPTITE SCREW	Torque Setting 2.6NM TELEMATICS CONFIGURATION ONLY (914049)	4
57	912496	TTB1840 HANDLE REAR COVER - TELEMATICS	TELEMATICS CONFIGURATION ONLY (914049)	1
58	912151	ADHESIVE PAD - TELEMATICS	TELEMATICS CONFIGURATION ONLY (914049)	1
59	911544	TELEMATICS MODULE ASSEMBLY - ANTHRACITE GREY	TELEMATICS CONFIGURATION ONLY (914049)	1

Numatic International Spare Parts
Model No: 650 TWINTEC ALUMINIUM FLOOR TOOL (38MM HOSE, RED TRIM, SERILOR BLADES)

903347
 DRAWING: DRW-22621 ISS:A09
 27/03/2018

NB: FOR WIRING SEE DRAWING: N/A



Numatic International Spare Parts

Model No: 650 TWINTEC ALUMINIUM FLOOR TOOL (38MM HOSE, RED TRIM, SERILOR BLADES)

ITEM:	PART No:	Description	Qty
1	208198	(650MM SCRUB WIDTH) ALUMINIUM SQUEEGEE CASTING (38MM HOSE FITTING)	1
2	903345	(650MM SCRUB WIDTH) RED BLADE HOLDER Moulding (SLOPING PROFILE) (32MM & 38MM HOSE FITTING)	1
	900518	650 REPLACEMENT SERILOR GREEN POLYURETHANE BLADES SET	
4	208970	(650MM SCRUB WIDTH) REPLACEMENT (4.0MM / 35-45 SHORE A) REAR LAMINATED SERILOR POLYBLADE (847MM LONG)	1
5	208987	(650MM SCRUB WIDTH) REPLACEMENT (3.2MM / 40 SHORE A) FRONT MONOLAYER SERILOR POLYBLADE (819MM LONG)	1
6	903281	M10 LOBE KNOB (RED)	4
7	219889	M10 SINGLE COIL STAINLESS STEEL WASHER	2
8	219933	M6 X 35MM SOCKET BUTTON HEAD BOLT STAINLESS STEEL	6
9	219647	M6 FORM G STAINLESS STEEL WASHER	6
10	206953	DETENT PINS	4
11	219642	M6 STAINLESS STEEL NYLON INSERT NUT	6
12	219909	M10 X 25MM LONG HEXAGONAL STAINLESS STEEL SCREW	2
13	237322	RIGHT HAND FLOOR TOOL CLIP Moulding	1
14	237323	LEFT HAND FLOOR TOOL CLIP Moulding	1
15	208796	4 INCH WHEEL	2
16	229175	CONICAL SPRING	2
17	907759	50MM DIAMETER GREY TPR TYRED SWIVEL CASTOR C/W M10 X 60 SWAGED STEM.	2
18	219891	13MM WAVEY WASHER	2
19	906860	ADJUSTABLE FLOOR TOOL CASTOR PLASTIC PLATE LEFT	1
20	906859	ADJUSTABLE FLOOR TOOL CASTOR PLASTIC PLATE RIGHT	1
21	291124	M10 PENNY WASHER STAINLESS STEEL	2
22	219951	A4 (STAINLESS STEEL) M10 HEX LOCK NUT (HALF NUT)	2

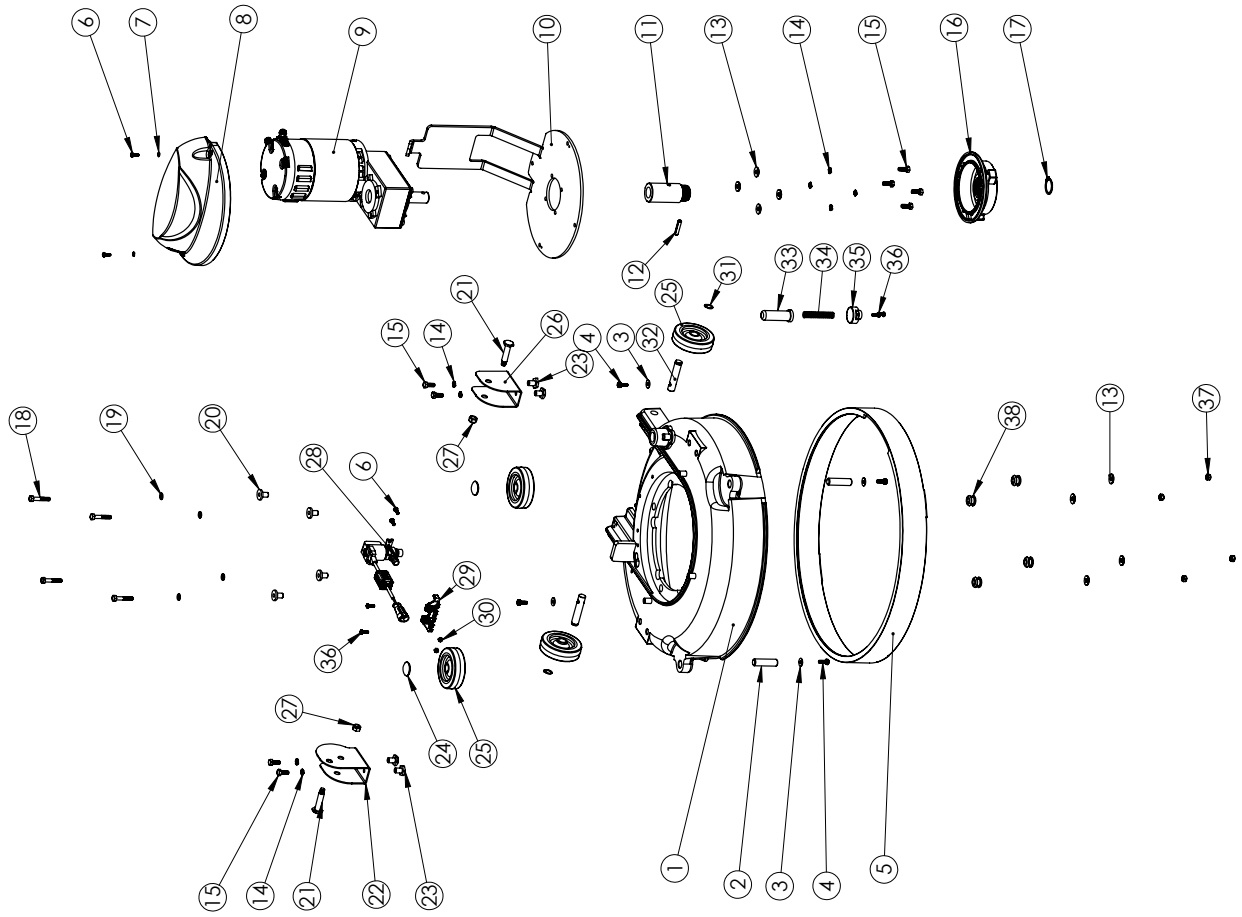
Numatic International Spare Parts

Model No: TTB 3045 NX BRUSH DECK EXPLODED DRAWING

NB: FOR WIRING SEE DRAWING: DRW-36752

913986

DRAWING: DRW-36512 ISS:A03
08/09/2022



Numatic International Spare Parts

Model No: TTB 3045 NX BRUSH DECK EXPLODED DRAWING

ITEM:	PART No:	DESCRIPTION	COMMENTS	QTY.
1	229258	TT 345 GRAPHITE BASE MOULDING		1
2	206013	BUFFER WHEEL PIN		2
3	219644	M5 FORM G STAINLESS STEEL WASHER		4
4	291132	M5 X 16MM LONG STAINLESS STEEL POZI PAN SEMS SCREW	Torque Setting 2.6NM	4
5	229644	450MM DIAMETER SPLASH SKIRT MOULDING		1
6	219890	M4 X 12MM LONG POZI PAN STAINLESS STEEL SCREW	Torque Setting 2.6NM	4
7	291145	M4 SHAKEPROOF WASHER STAINLESS STEEL		2
8	237380	AMER MOTOR COVER		1
9	913100	AMER MOTOR DCM-4222 36V PMDC 16:1		1
10	914306	TTB3045 NX 36V AMER MOTOR ADAPTOR PLATE PAINT SILVER GREY		1
11	208727	DRIVE SHAFT		1
12	291079	6MM X 30MM STAINLESS STEEL ROLL PIN		1
13	219647	M6 FORM G STAINLESS STEEL WASHER		8
14	902353	M6 EXTERNAL SHAKEPROOF WASHER STAINLESS STEEL		8
15	219719	M6 X 16MM LONG HEXAGONAL STAINLESS STEEL HEAD BOLT	Torque Setting 8NM	8
16	230207	DIE CAST CHUCK MACHINED		1
17	230048	26MM EXTERNAL CIRCLIP		1
18	291127	M6 X 35 LONG HEX BOLT STAINLESS STEEL	Torque Setting 8NM	4
19	219870	M6 FORM A WASHER STAINLESS STEEL		4
20	208011	MOTOR MOUNTING SPACER		4
21	206236	PIVOT PIN		2
22	392248	DECK MOUNT BRACKET		1
23	219606	BRACKET SPACER		4
24	204021	12.7MM STAINLESS STEEL HUB CAP		2
25	204068	3 INCH GREY WHEEL		4
26	392249	DECK MOUNT RH		1
27	219639	M8 STAINLESS STEEL NYLON INSERT NUT	Torque Setting 8NM	2
28	915039	SOLENOID CABLE & FERRITE ASSEMBLY		1
29	902556	SOLENOID MOUNT MOULDING		1
30	219687	M4 STAINLESS STEEL NYLON INSERT NUT		2
31	219345	12MM EXTERNAL CIRCLIP		2
32	229382	REAR WHEEL PIN		2
33	229128	PLUNGER MOULDING BLACK		1
34	219394	COMPRESSION SPRING		1
35	223242	PLUNGER MOUNTING PLATE MOULDING		1
36	219569	No8 X 1/2 INCH LONG POZI PAN STAINLESS STEEL PLASTIIE SCREW	Torque Setting 2.6NM	4
37	219642	M6 STAINLESS STEEL NYLON INSERT HALF NUT	Torque Setting 8NM	4
38	229025	STANDARD GROMMET		4


Numatic International Limited (Head Office)

Chard, Somerset TA20 2GB, UNITED KINGDOM

Tel: 01460 68600 numatic.com

Numatic International GmbH

Fränkische Straße 15-19, 30455 Hannover, DEUTSCHLAND

Tel: +49 (0) 511 984 2160 numatic.de

Numatic International Denmark

Fränkische Straße 15-19, 30455 Hannover, DEUTSCHLAND

Tel: +45 (0) 316 40808 numatic-online.dk

Numatic International S.A.S

13/17 rue du Valengelier, EAE la Tuilerie, 77500 Chelles, FRANCE

Tel: +33 (0) 164 726 161 numatic.fr

Numatic International BV

Vennootsweg 15, 2404 CG, Alphen aan den Rijn, NEDERLAND

Tel: +31 (0) 172 467 999 numatic.nl

Numatic International Schweiz AG.

Sihlbruggstrasse 3A, 6340 Baar, SCHWEIZ

Tel: +41 (0) 41 768 0760 numatic.ch

Numatic International (PTY) Ltd.

Cnr. 16th & Pharmaceutical Road, Randjes Park, Midrand 1685, SOUTH AFRICA

Tel: +27 (0) 861 686 284 numatic.co.za

Numatic International ULDA

Rua Francisco da Silva Duarte, nº79,

4475-269 Santa Maria de Avioso, Castelo da Maia, PORTUGAL

Tel: +351 220 047 700 numatic.pt

Numatic International Spain, S.L.U.

Av. Baix Llobregat, 5-7, Oficina bajos 1 (Parc Negocis Mas Blau II)

08820 El Prat de Llobregat (Barcelona), SPAIN

Tel: +34 93 647 22 22 numatic.es

Numatic International Italy S.R.L

Via Luigi Galvani, 2, Z.I. Talponedo, 33080 Porcia (PN), ITALY

Tel: +39 (0) 434 046 211 numatic.it