

## CONVENTIONAL DETECTOR BASES

### NS6 AND NS4 SERIES BASE



| NS Series Bases      | Alarm Current            | ID    |
|----------------------|--------------------------|-------|
| NS6-224 OR NS4-224   | 43mA (70mA @ 33.0V MAX)  | HB-5  |
| NS6-220 OR NS4-220   | 93mA (136mA @ 33.0V MAX) | HB-3  |
| NS6-221 OR NS4-221   | 46mA (77mA @ 33.0V MAX)  | HB-4  |
| NS6-100* OR NS4-100* | 150mA @ 15.0-33.0V MAX   | HB-55 |

\* Requires external current limiting to 150mA maximum

### HSC-(X)R RELAY BASE & HSC- 4R 4 WIRE BASE



| 2 Wire Auxiliary Relay Bases | Alarm Current           | ID    |
|------------------------------|-------------------------|-------|
| HSC-224R                     | 43mA (58mA @ 30.0V MAX) | HB-73 |
| HSC-220R                     | 88mA (98mA @ 26.5V MAX) | HB-72 |
| HSC-221R                     | 49mA (62mA @ 30.0V MAX) | HB-71 |

| 4 Wire Base | Alarm Current           | ID  |
|-------------|-------------------------|-----|
| HSC-4R      | 43mA (58mA @ 30.0V MAX) | N/A |

### HSC-(X) L LATCHING LED BASE



| 2 Wire Latching | Alarm Current                         | ID    |
|-----------------|---------------------------------------|-------|
| HSC-224L        | 35-42mA @ 24V (54mA MAX)              | HB-62 |
| HSC-220L        | 67-80mA @ 24V (88.5mA @ 26.5V DC MAX) | HB-64 |
| HSC-221L        | 37-45mA @ 24V (57mA MAX)              | HB-63 |

The NS6 and NS4 series bases are designed specifically for use with Hochiki's conventional models:

- Photoelectric smoke detectors: SOC-24V, SOC-24VN, SLR-24V, SLV-24, SLV-24N, SLV-24V, SLR-835, SLR-24H
- Photoelectric with heat smoke detector: SLR-835H
- Fixed temperature/rate-of-rise heat detector: DCD-135/190

The NS6 base is an electronics free 6" base featuring a plastic tamper-lock lug. Each base is equipped with a resistor. Please refer to the chart (left) for additional specifications. The NS4 base is a 4" version of the NS6 base.

Models HSC-224R, HSC-220R and the HSC-221R are designed specifically for use with the Hochiki conventional models SOC-24V, SOC-24VN, SLR-24H, SLR-24V, SLV-24, SLV-24N, SLV-24V, SLR-835, SLR-835H, DCD-135/190. The HSC-(X)R series is a 6" base with two sets of Form "C" relay contacts.

Models HSC-224R, HSC-220R and the HSC-221R are also approved for use with Hochiki's previous conventional model DFE 135/190.

The HSC-4R is designed specifically for 24 volt 4 wire applications using Hochiki conventional models SOC-24V, SOC-24VN, SLR-24H, SLR-24V, SLV-24, SLV-24N, SLV-24V, SLR-835, SLR-835H or DCD-135/190. The 6" diameter base is current limited. Relay contact place a direct short circuit across the loop when the detector is actuated.

Model HSC-4R is also approved for use with Hochiki's previous conventional model DFE 135/190.

The HSC-L base series are designed specifically for use with the Hochiki fixed temperature heat detectors (models DFE-135/190).

The HSC-L series is a 6" base featuring a current limiting resistor, latching annunciator output and a latching circuit so the alarm LED will remain lit until the control panel has been reset.

Bases are available in bone or white to match the detector. Bone (off-white) is the standard color for detectors and bases for most applications.

| BASE     | BOX MOUNTING |        |        |
|----------|--------------|--------|--------|
|          | 3" OCT       | 4" OCT | 4" SQR |
| NS4-BASE | YES          | NO     | NO     |
| NS6-BASE | NO           | YES    | YES    |
| HSC-BASE | NO           | YES    | YES    |

### PRODUCT LISTINGS

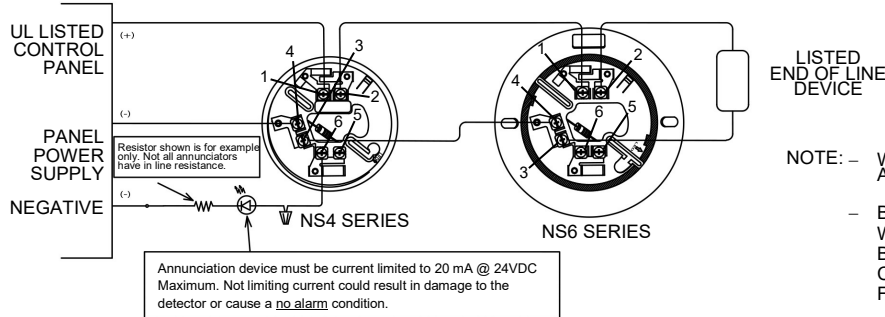
|  |   |   |  |
|--|---|---|--|
|  |  |  | California State<br>Fire Marshal<br>7300-0410-0132 |
|--|---|---|--|

We try to keep our product information up-to-date and accurate. However, we cannot cover all specifications or anticipate all requirements. For additional information contact your local distributor or Hochiki America Corporation.

## CONVENTIONAL DETECTOR BASES

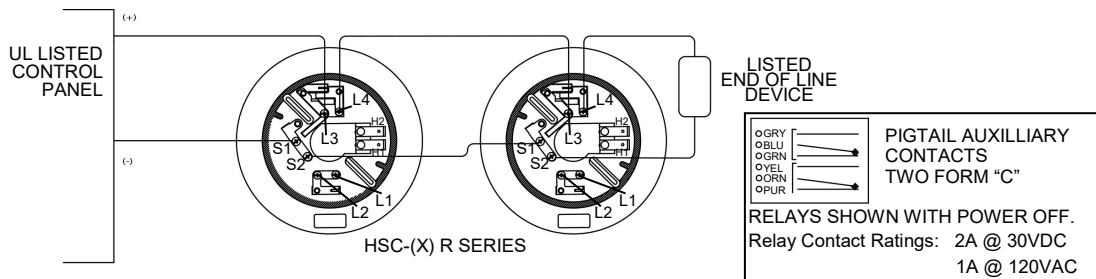
### NS4 AND NS6 SERIES BASE

#### 2-WIRE OPERATION



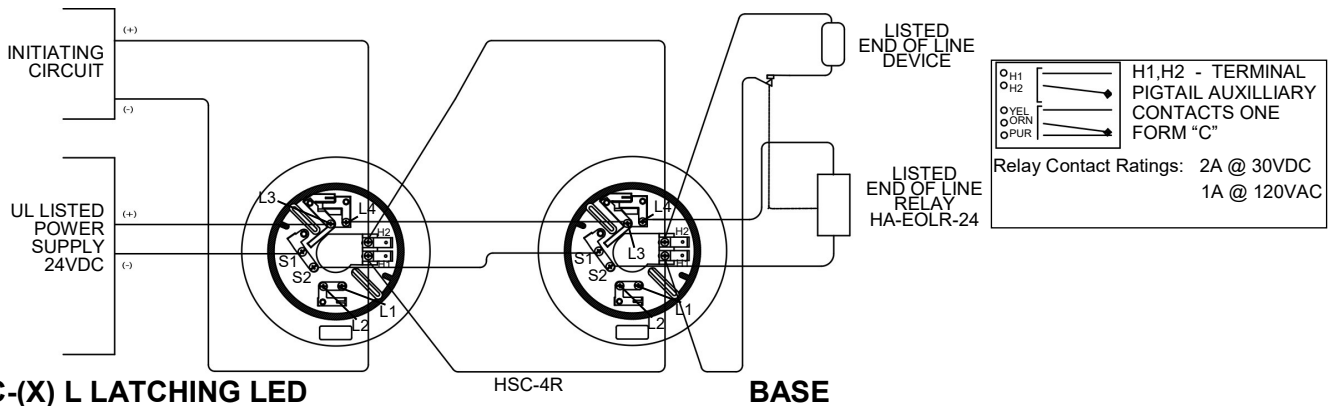
### HSC-(X)R RELAY BASE

#### 2-WIRE OPERATION



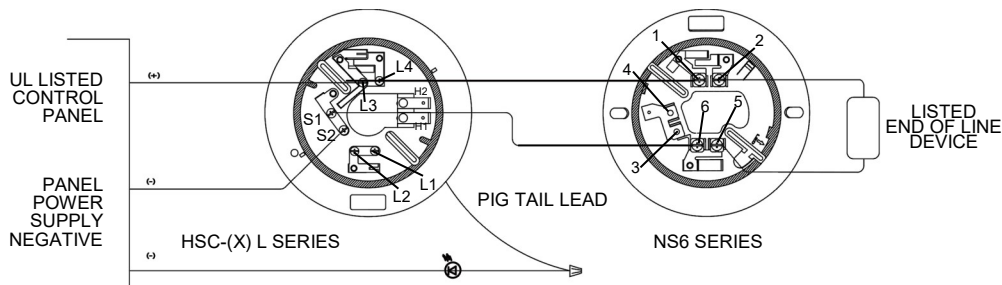
### HSC-4R FOUR WIRE BASE

#### 4-WIRE OPERATION



### HSC-(X) L LATCHING LED

#### 2-WIRE OPERATION



We try to keep our product information up-to-date and accurate. However, we cannot cover all specifications or anticipate all requirements. For additional information contact your local distributor or Hochiki America Corporation.