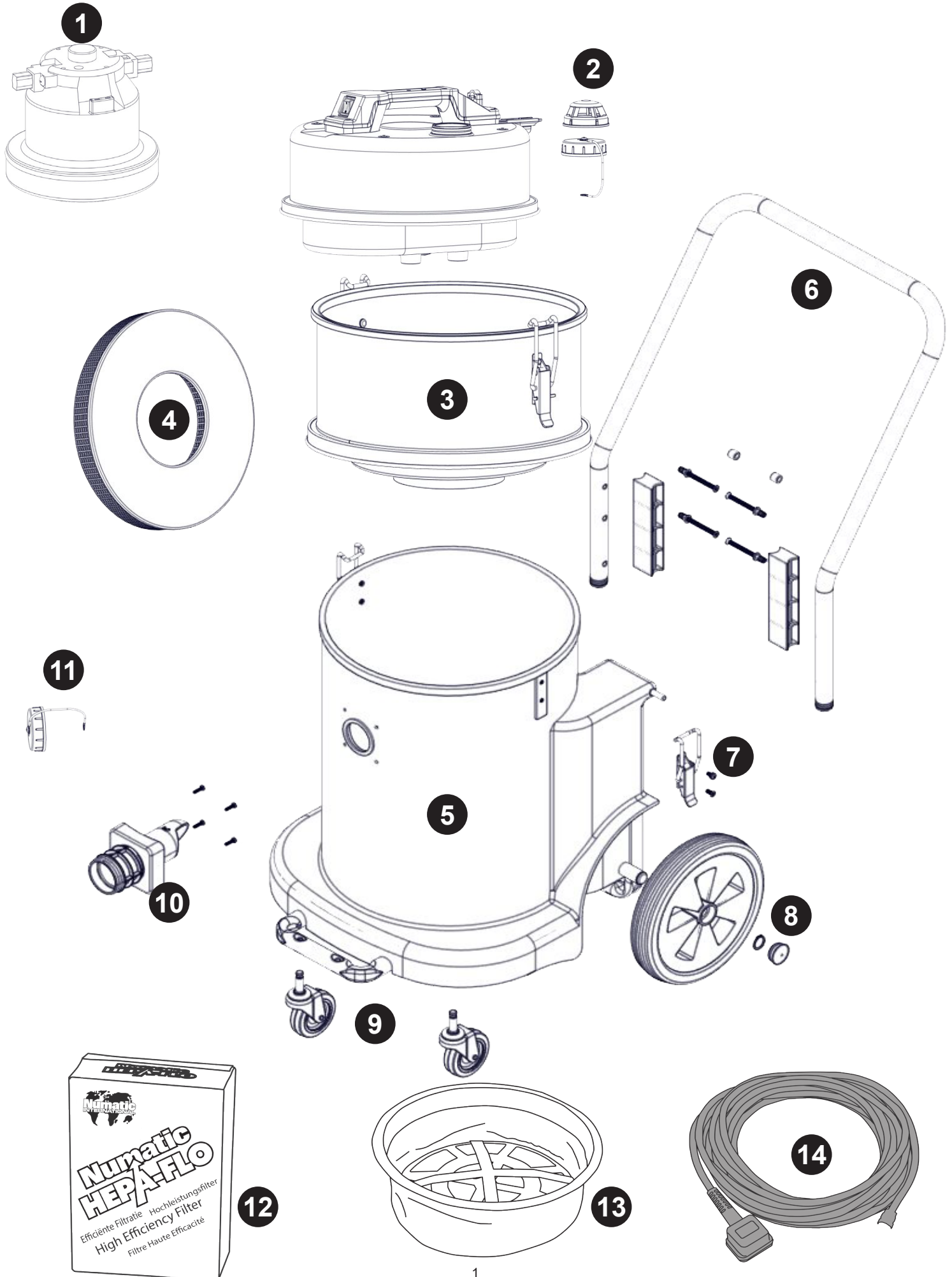


HZ900 / HZD900 Exploded Spares

Hazardous Dust Extraction



| Num | Description | Num |
|------------|---|------------------------|
| 1 | 230V 2 STAGE WITH TCO (DL21104T) MOTOR ASSEMBLY (HZQ 450/750) 3 CORE (UK) | 588442 |
| | 230V 2 STAGE (DL21104) DUPLEX MOTOR ASSY (HZDQ) 3CR (EU) | 323522 |
| | 230V 2 STAGE (DL21104) DUPLEX MOTOR ASSY (HZDQ) 3CR | 323524 |
| | 120V 2 STAGE (DL21101) DUPLEX MOTOR ASSY (HZDQ) | 323512 |
| | 230V 2STAGE +TCO MOTOR ASSY (HML) 3 CORE | 326008 |
| 2 | AIR DIFFUSER FOR BLOWER TYPES (NVM-51) / BLANKING CAP | 604151 / 206363 |
| 3 | HZ4/750 YELLOW INTERCEPTOR ASSEMBLY | 502090 |
| | HML(HZ) DUPLEX INTERCEPTOR ASSEMBLY (YELLOW) [1] | 502141 |
| 4 | H13 FILTER ASSEMBLY (HZ) | 901647 |
| 5 | HZ/HZD900 YELLOW DRUM ASSEMBLY | 500412 |
| 6 | 900 HANDLE ASSEMBLY (INSERTED + END STOPS) | 329169 |
| | LOWER HANDLE ASSY 900 SERIES (MILD STEEL. PAINTED BLACK) | 303908 |
| 7 | BLACK TOGGLE FASTENER 30-1665 MSBL | 206135 |
| | M5x.10MM LG.POZI-PAN.SCREW.Z/PL.SEM | 219047 |
| | M5.12MM LG.POZI-PAN.SCREW.Z/PL.C/SUNK | 219330 |
| 8 | 10 INCH WHEEL(BLACK/GREY) 20MM BORE | 2004028 |
| | CIRCLIP A20 | 219308 |
| 9 | 3 INCH STEM FITTING CASTOR | 204060 |
| 10 | DRUM FLANGE DRILL ALL HZ | 303035 |
| | HOSE FLANGE GASKET | 202027 |
| 11 | 150MM LONG FIXING WIRE | 303037 |
| | BLANKING CAP | 206363 |
| 12 | 10 (NVM-4BH) HEPAFLO FILTER BAGS (MODEL 750/900 TYPE) | 604019 |
| 13 | 14 INCH WHITE FILTER ASSEMBLY | 604116 |
| 14 | 12.5 METRE X 1MM X 3 CORE CABLE (SOCKET WITH UK PLUG) | 220950 |
| | 10.0MT X 1.5MM X 3 CORE CABLE (SOCKET + PLUG) UK | 236011 |
| | 10.0MT X 1.5MM X 3 CORE YELLOW CABLE (SOCKET + PLUG) EURO | 236143 |
| | 12.5MT X 3CORE X 2.5MM CABLE PLUS 32AMP INDUSTRIAL PLUG | 220911 |
| | 15.0MT X 1.5MM X 3 CORE CABLE (SOCKET + PLUG) SOUTH AFRICA | 236081 |

| 902758 | Kit AA20 | | |
|--------|--------------------|--------|-------------------------|
| 601101 | Boflex Hose 2.4m | 602161 | 152mm Rubber Brush |
| 602917 | 280mm Gulper | 601144 | 65mm Soft dusting Brush |
| 629445 | Roll of Bin Bags | 602159 | 38/32mm Adaptor |
| 601142 | 240mm Crevice tool | 601141 | Double Taper Adaptor |

| 607350 | Kit BB20 | | |
|--------|------------------------|--------|-------------------------|
| 602102 | Nuflex Hose 2.4m | 602161 | 152mm Rubber Brush |
| 602917 | 280mm Gulper | 601144 | 65mm Soft dusting Brush |
| 908229 | Roll of Bin Bags | 602159 | 38/32mm Adaptor |
| 602160 | 305mm ABS Crevice tool | 601141 | Double Taper Adaptor |

Numatic International Limited. Chard, Somerset TA20 2GB
ENGLAND Tel: 01460 68600 www.numatic.co.uk

Numatic International GmbH. Fränkische Straße 15–19. D-30455 Hannover,
DEUTSCHLAND Tel: 05 11 98 42 16 0 www.numatic.de

Numatic International SAS. 13 / 17 rue du Valengelier. EAE La Tuilerie – 77500
CHELLES, FRANCE Tel: 01 64 72 61 61 www.numatic.fr

Numatic International BV. Vennootsweg 15, 2404 CG, Alphen aan den Rijn,
NEDERLAND Tel: 0172 467 999 www.numatic.nl

Numatic International (Pty.) Ltd. 16th & Pharmaceutical Roads, Midrand, Gauteng,
SOUTH AFRICA 1685 Tel: 0861 686 284 www.numatic.co.za

Numatic International Schweiz AG. Sihlbruggstrasse 3A, 6340 Baar.
SCHWEIZ Tel: 0041 (0) 41 76 80 76 - 0 www.numatic.ch

Numatic International ULDA. Rua da Boa Viagem, 177. 4470.210 Maia.
PORTUGAL Tel: +351 220 047 700 www.numatic.pt

Numatic International SLU. C/ La Forja, 41, 08840 Viladecans. (Barcelona),
SPAIN Tel: +34 93 647 22 22 www.numatic.es

Numatic International DENMARK. Fränkische Straße 15–19. D-30455 Hannover,
DEUTSCHLAND Tel: 05 11 98 42 16 0 www.numatic-online.dk