



PEX-□H

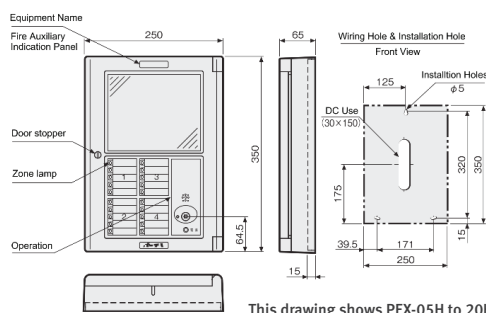
Indication Panel

PEX-10H



*This picture shows PEX-10H

Dimension (mm)



This drawing shows PEX-05H to 20H

Model	Number Of Zone	Number Of Indication Lamp
PEX-05H	5	5
PEX-10H	10	10
PEX-20H	20	20

Application

Indication Panel are dedicated purpose transponders that support fire alarm system status information. Typical use is when the host fire alarm control panel is located away from the area where those responding to a fire situation need status information.

The authorized user can use fireman telephone (SC-PA) to communicate with FCP and allow callers to be connected to each other. Although intended for use in assisting fire responders, these system are also helpful during system setup and maintenance.

Specification

Type	Indication Panel
Model	PEX-□H
Operating Voltage	24Vdc
Operating Temp. Range	0°C to 40°C
Material	Self-Extinguishing Resin Thickness 3mm
Color	Light Gray
Dimension	(W)250 X (H)350 X (D)65 (mm)
Weight	Approx. 2kg
Country of Origin	Japan

HOCHIKI ASIA PACIFIC PTE. LTD.

82 UBI Ave 4 #06-02
Edward Boustead Centre, Singapore 408832
TEL: 65-6841-9728 | FAX: 65-6841-9781
URL : www.hochikiasiapacific.com

07/2022

HEAD OFFICE

10-43 Kamiosaki 2-Chome.
Shinagawa-Ku, Tokyo 141-8660 Japan
TEL: 81-(3)-3444-4116 | FAX: 81-(3)-3444-4167
URL : www.hochiki.co.jp

Specifications subject to change without notice