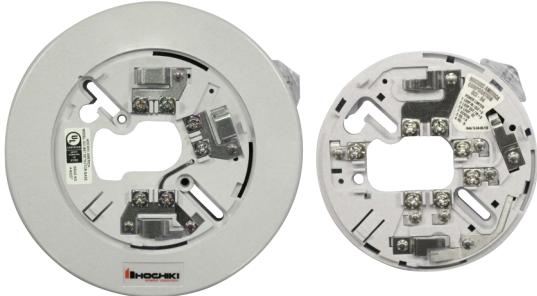


SHORT CIRCUIT ISOLATOR DIGITAL ANALOG SENSOR BASES



SCI-B67 & SCI-B47

STANDARD FEATURES

- UL Listed
- Ability to detect short circuit conditions
- Designed for use with all DCP digital analog sensors
- Available in 4 and 6 inch models
- Built-in LED indication upon short circuit condition
- Contains a security locking tab for tamper protection

SPECIFICATIONS

Operating Voltage	17 - 41 VDC
Current Consumption	Normal: 160uA Active: 10mA
Security Feature	Plastic Tamper-lock
Color & Material	Bone PC / ABS Blend
Dimensions	SCI-B67: 6 inches SCI-B47: 4 inches
Compatible Detectors	AIE-EA, ALG-V, ALK-V, ALN-V, ATG-EA, ATJ-EA, ACA-V, ACC- V, ACD-V, ALO-V

APPLICATIONS

The HOCHIKI America SCI-B47 and the SCI-B67 are short circuit isolation mounting bases containing a simple rugged design with screw terminals for wiring connections. These common mounting bases allows sensor interchange and maintains loop continuity when sensors are removed. A simple anti-tamper head locking system is provided which is enabled by removing a small plastic tab on the back of the sensor. Once locked, the head can only be removed using a small diameter screwdriver.

OPERATION

The SCI-B47 and SCI-B67 are designed specifically for use with the Hochiki NS Digital Analog models AIE-EA, ALG-V, ALK-V, ALN-V, ATG-EA, ATJ-EA, ACA-V, ACC-V, ACD-V and ALO-V.

The SCI-B47 and SCI-B67 common mounting bases allow for complete compatibility for all of the Hochiki Digital Analog sensors. The solder-less screw terminals enable quick and easy wiring connections.

PART NUMBERS

0300-06850	SCI-B47 4" sensor base with Isolator
0300-06860	SCI-B67 6" sensor base with Isolator

PRODUCT LISTINGS



California State
Fire Marshal
7300-0410:0186

Specifications subject to change without notice.

Continued on back.

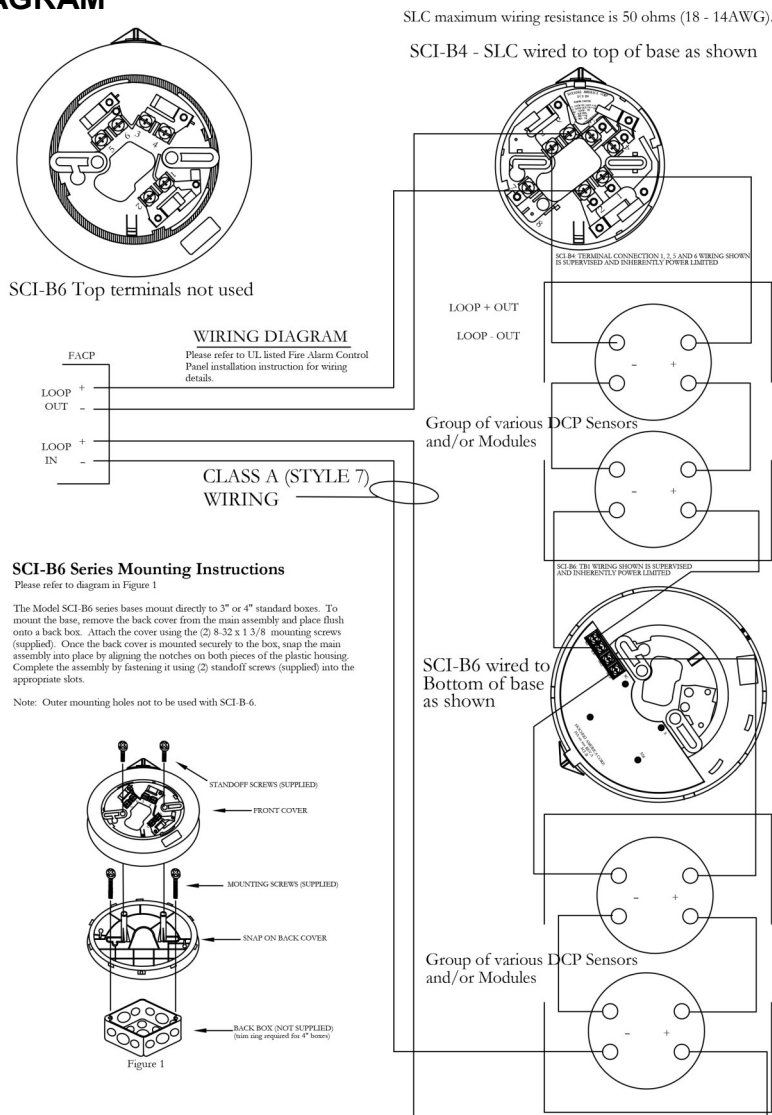
SHORT CIRCUIT ISOLATOR DIGITAL ANALOG SENSOR BASES

ENGINEERING SPECIFICATIONS

This specifications applies to the model SCI-B47/-B47W and SCI-B67/-B67W, which are to be connected to a DCP Signaling Line Circuit (SLC). The SCI-B is a short-circuit isolator combined in a base compatible with the Analog range of sensors. The SCI-B47 and SCI-B67 are to be used with the AIE-EA, ALG-V, ALK-V, ALN-V, ATG-EA, ATJ-EA, ACA-V, ACC-V, ACD-V and ALO-V model sensors only. A remote fire LED facility is provided when a sensor is attached to the base.

The vandal-resistant, security locking feature shall be used in those areas as indicated on the fire plan drawing. The locking feature shall be optional and can be implemented when required.

TYPICAL WIRING DIAGRAM



NOTE: Fire alarm control panel compatibility is required for DCP products.

The SCI-B4 and SCI-B6 are to be used with the:

AIE-EA, ALG-V, ALK-V, ALN-V, ATG-EA, ATJ-EA, ACA-V, ACC-V, ACD-V and ALO-V