

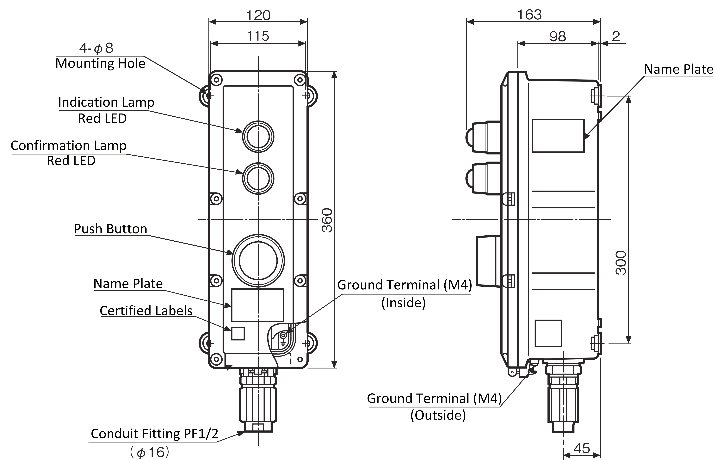


PDC-1

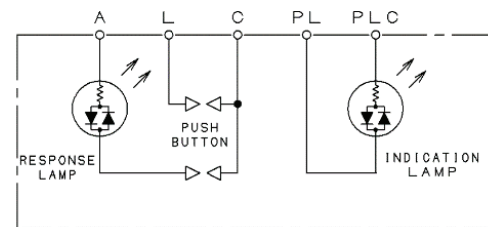
Explosion proof manual call point



Dimension (mm)



Circuit Diagram



Specification

Type	Manual Call Point
Model	PDC-1
Structure Explosion Proof Grade	Explosion Proof Type Exd II BT4
Operating Voltage	500mA @24Vdc
Indication Lamp Voltage	21mA @24V AC/DC
Operating Temp. Range	-20°C to 50°C
Material	Aluminum Cast
Color	Munsell 7.5R3/12 (Medium gloss)
Weight	Approx. 5.8kg
Country of Origin	Japan
Approval	TIIS No. TC17205, JFEII
Ingress Protection Rating	IP65 (IEC60529)

HOCHIKI ASIA PACIFIC PTE. LTD.

82 Ubi Ave 4 #06-02
Edward Boustead Centre, Singapore 408832
TEL: 65-6841-9728 | FAX: 65-6841-9781
URL : www.hochikiasiapacific.com

HEAD OFFICE

10-43 Kamiosaki 2-Chome.
Shinagawa-Ku, Tokyo 141-8660 Japan
TEL: 81-(3)-3444-4116 | FAX: 81-(3)-3444-4167
URL :www.hochiki.co.jp