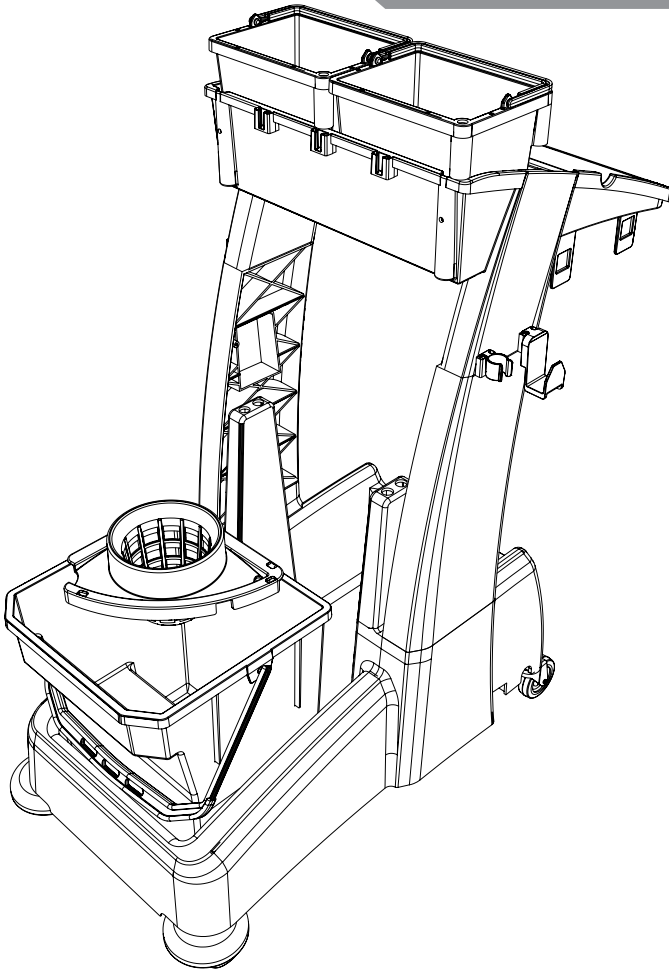


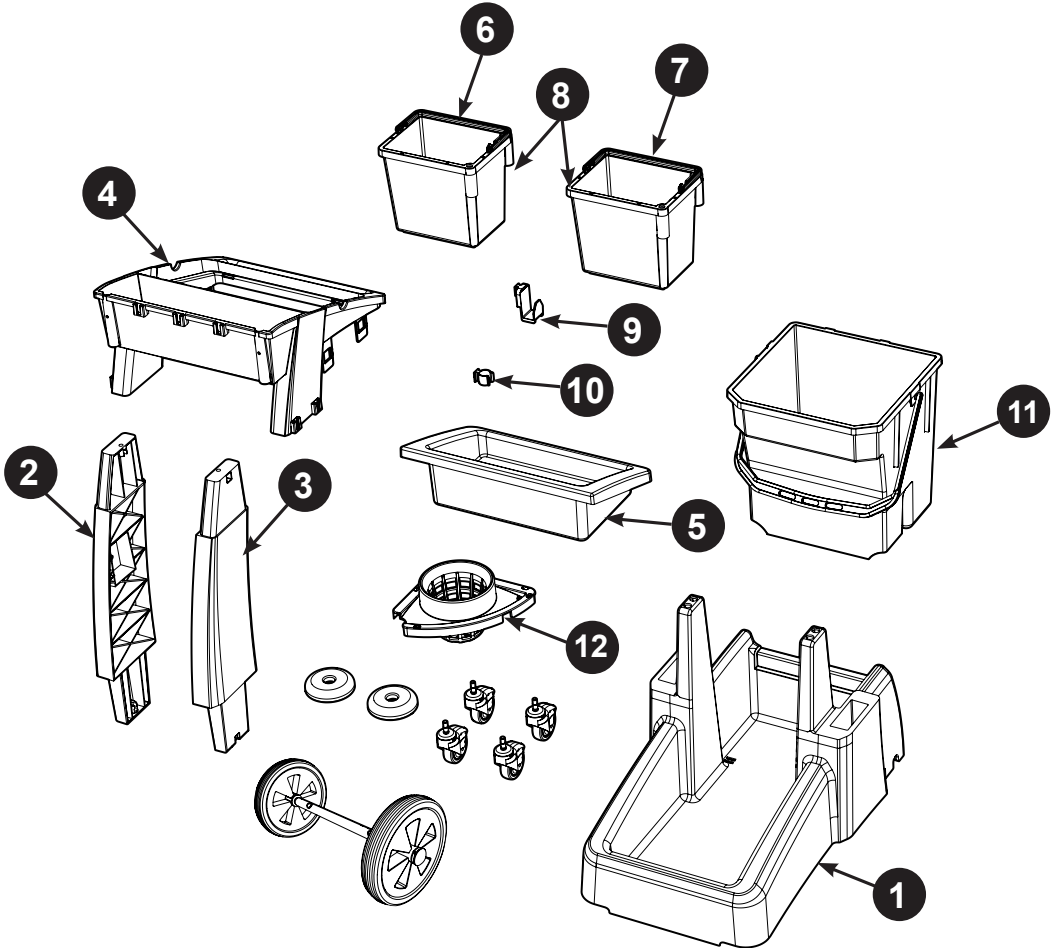
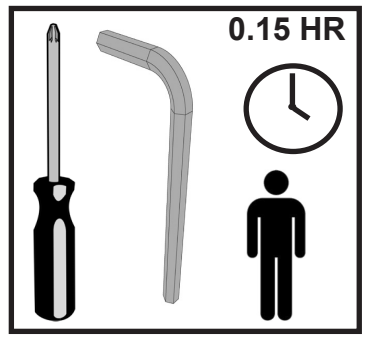
MM-1

Numatic

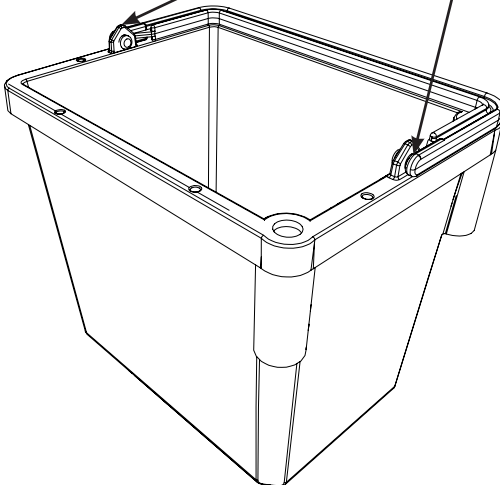
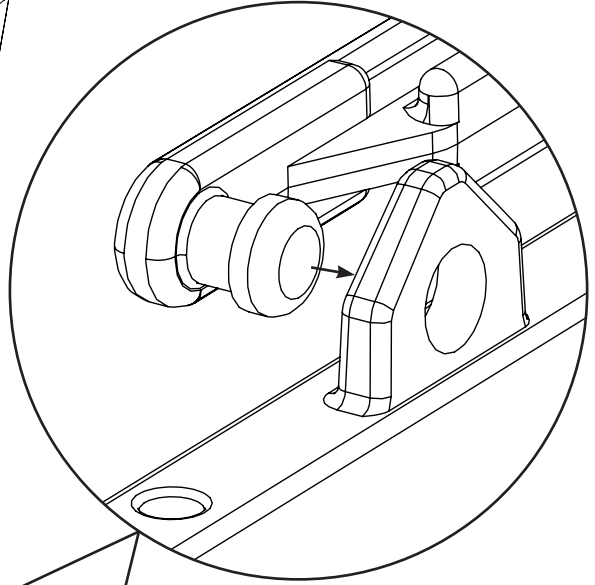
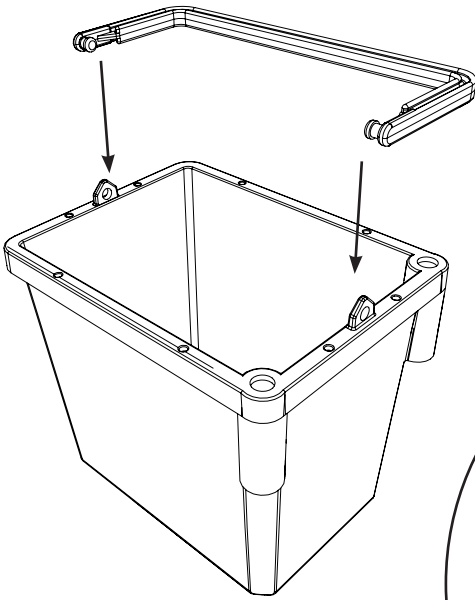
numatic.com



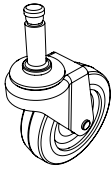
Original Instructions



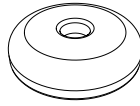
Item	Description	Quantity
1	Reflo Base	1
2	Left Hand Upright	1
3	Right Hand Upright	1
4	Handle Frame	1
5	Top Tray	1
6	Red Handle	1
7	Blue Handle	1
8	5 Litre Bucket	2
9	Versaclean Hook T Slot	1
10	22mm Mid Mop Clamp	1
11	28 Litre Bucket- Blue Handle	1
12	Twistmop Wringer	1
Optional Extra:	Axel and Wheel Assembly	1



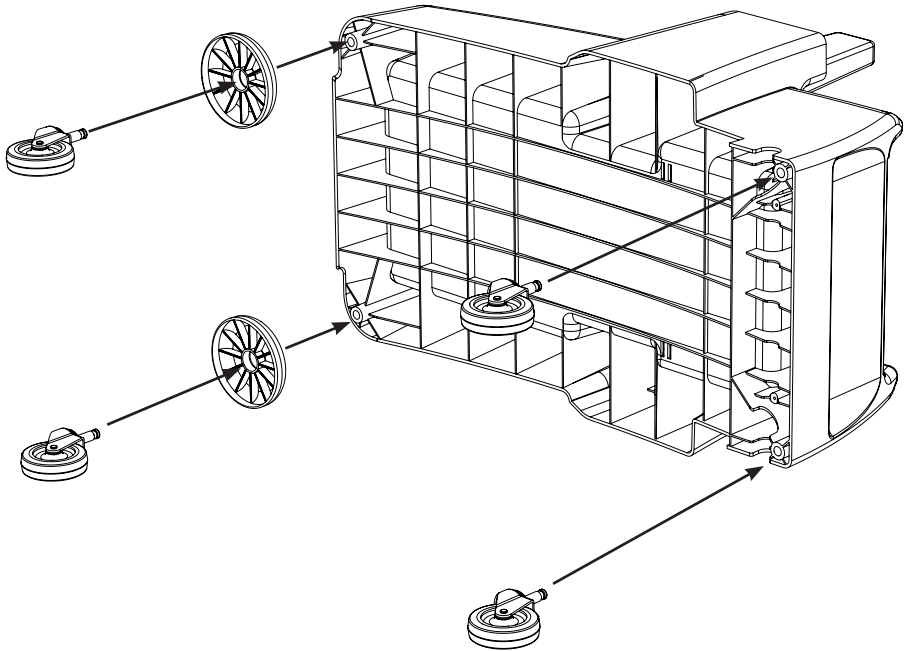
x2



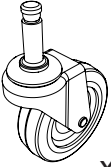
x4



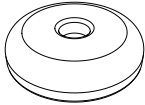
x2



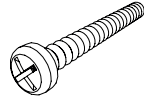
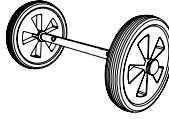
No6 X 1 3/8 Inch Long
Pozi Pan Screw



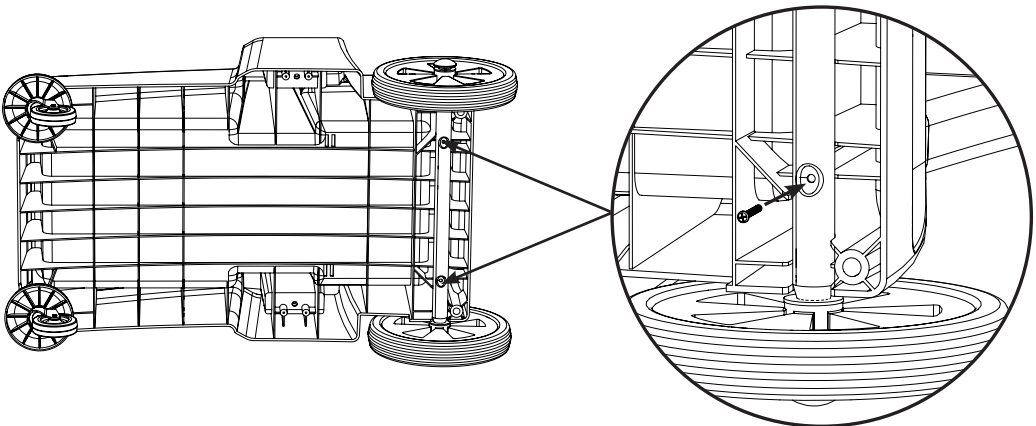
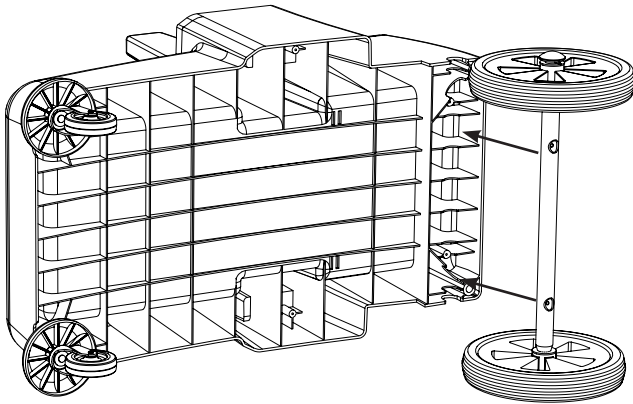
x2

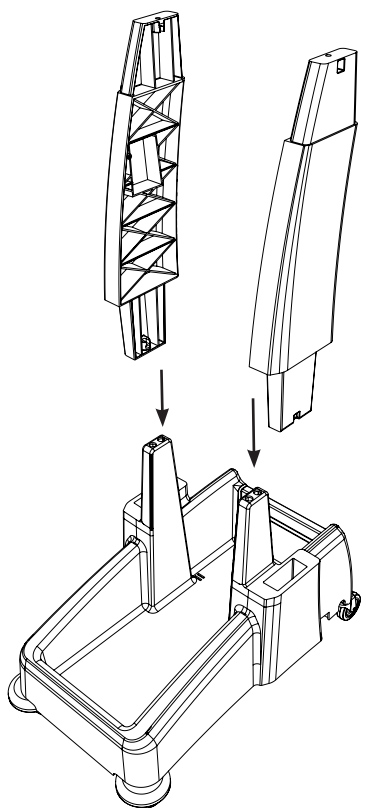


x2

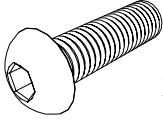


x2

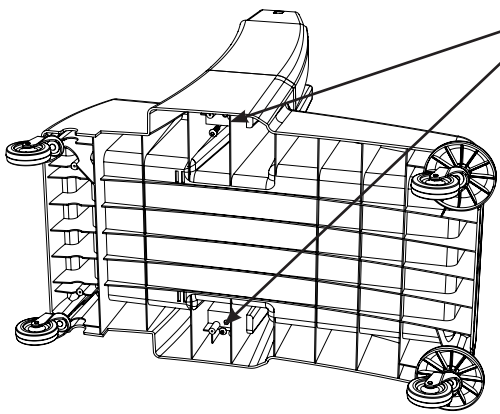
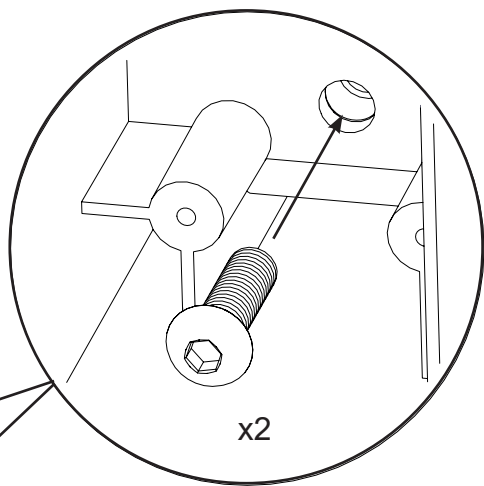


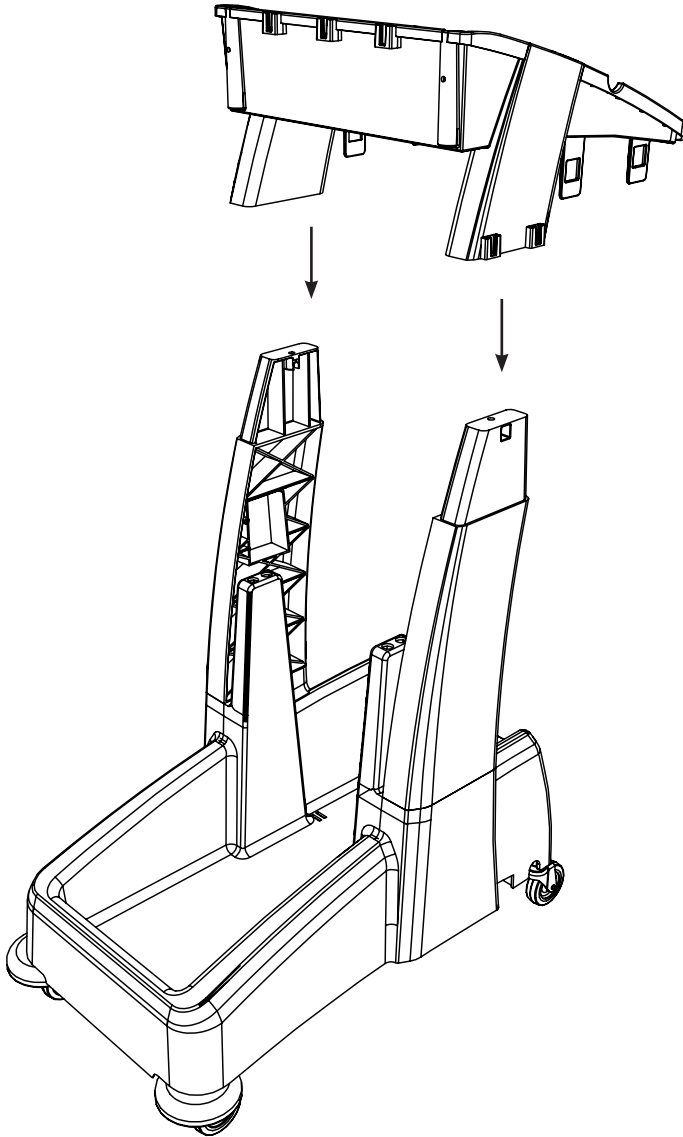


M8 25mm Socket Bolt

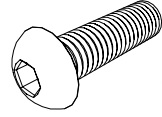


x2

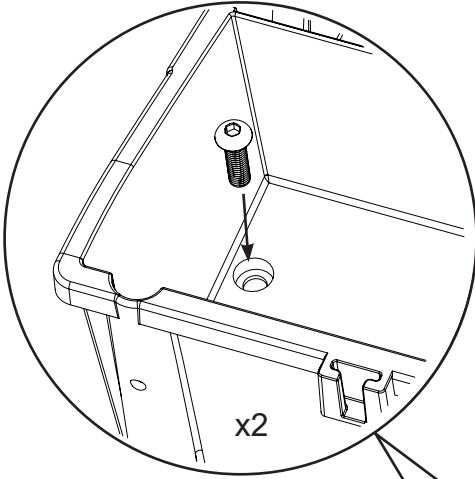




M8 25mm Socket Bolt



x2



x2

