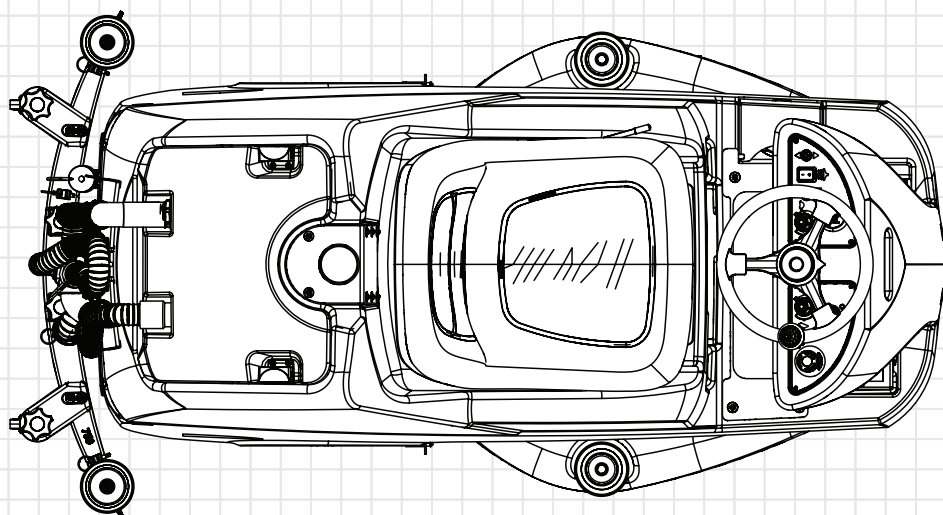
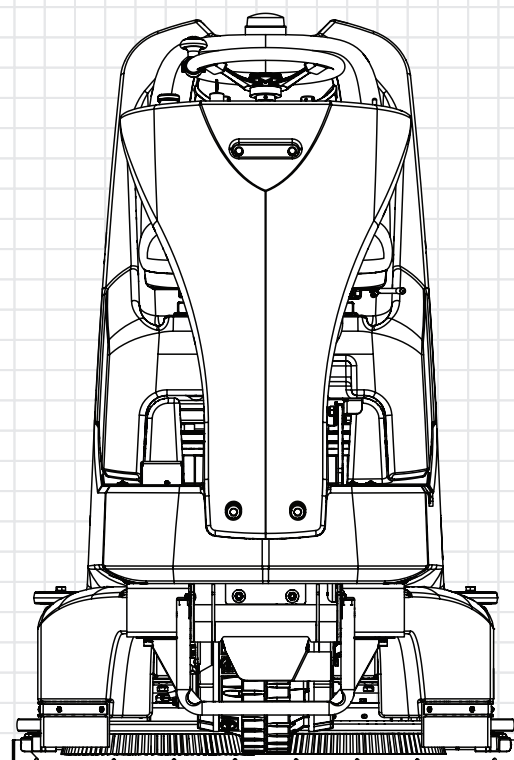
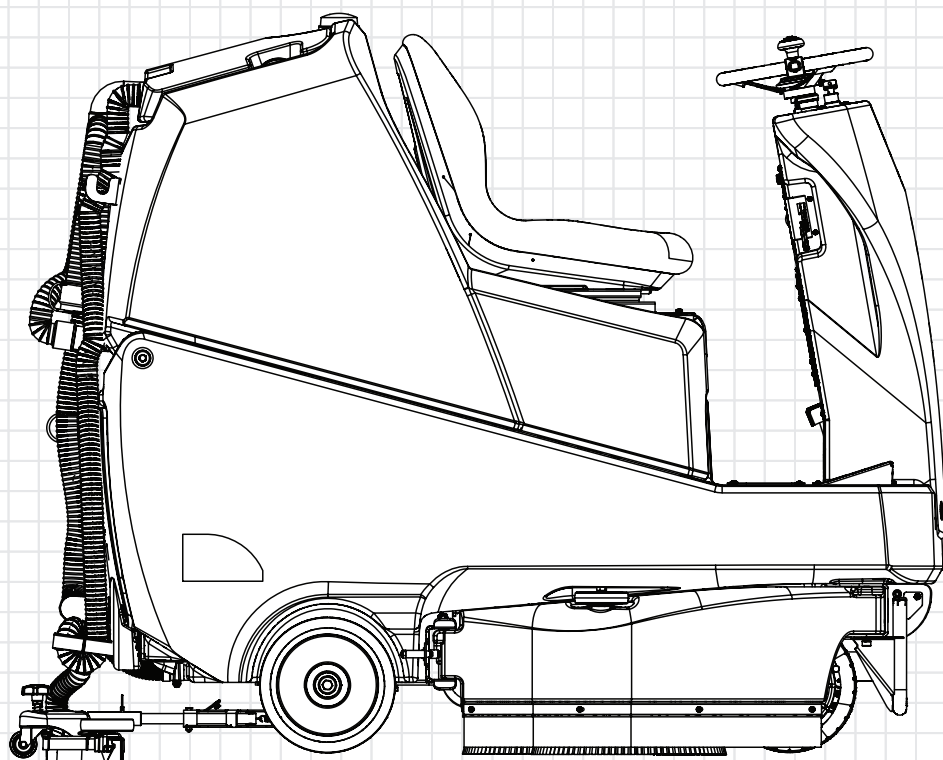


TRL720



Service Engineer Exploded Drawings



DISCLAIMER:

These drawings are for part order reference only and intended for service engineers use.

The installation of Genuine Numatic spare parts should only be executed by Certified Numatic service engineers who specialised and familiar with all relevant safety regulations.

Numatic International Ltd do not accept responsibility or liability for any loss or damage to property or person if repairs or servicing of products are carried out by non-certified persons.

Specifications and parts are subject to change without notice.

HAFTUNGSAUSSCHLUSS:**DE**

Diese Zeichnungen dienen nur als Referenz für Teilebestellungen und sind nur für den Gebrauch durch Servicetechniker bestimmt.

Die Montage von originalen Numatic-Ersatzteilen darf nur von zertifizierten Numatic-Servicetechnikern ausgeführt werden, die mit allen relevanten Sicherheitsvorschriften vertraut sind.

Numatic International Ltd übernimmt keine Verantwortung oder Haftung für Verluste oder Schäden an Eigentum oder Personen, wenn Reparaturen oder Wartungsarbeiten an Produkten von nicht zertifizierten Personen durchgeführt werden.

Technische Daten und Teile können ohne vorherige Ankündigung geändert werden.

CLAUDE DE NON-RESPONSABILITÉ:**FR**

Ces schémas sont fournis à titre de référence de commande de pièces uniquement et sont destinés aux techniciens de maintenance.

L'installation de pièces de rechange Numatic d'origine doit être effectuée uniquement par des techniciens de maintenance Numatic certifiés spécialisés et familiarisés avec toutes les règles de sécurité applicables.

Numatic International Ltd décline toute responsabilité en cas de perte ou de dommage matériel ou personnel si des réparations ou l'entretien des produits sont effectués par des personnes non certifiées.

Les spécifications et les pièces sont susceptibles d'être modifiées sans préavis.

DISCLAIMER:**NL**

Deze tekeningen zijn uitsluitend bedoeld als referentie voor het bestellen van onderdelen en voor gebruik door servicemonteurs.

De installatie van originele reserveonderdelen van Numatic mag alleen worden uitgevoerd door gecertificeerde servicemonteurs van Numatic die gespecialiseerd zijn en bekend zijn met alle relevante veiligheidsvoorschriften.

Numatic International Ltd aanvaardt geen verantwoordelijkheid of aansprakelijkheid voor verlies of schade aan eigendommen of personen als reparaties of onderhoud aan producten worden uitgevoerd door niet-gecertificeerde personen.

Specificaties en onderdelen kunnen zonder voorafgaande kennisgeving worden gewijzigd.

RENÚNCIA DE RESPONSABILIDADE:**PT**

Estes desenhos servem apenas como referência para a encomenda de peças e destinam-se a ser utilizados pelos técnicos de assistência.

A instalação de peças sobresselentes genuínas da Numatic só deve ser efetuada por técnicos de assistência certificados da Numatic que se especializem e familiarizem com todos os regulamentos de segurança relevantes.

A Numatic International Ltd não aceita qualquer responsabilidade por perdas ou danos materiais ou pessoais se as reparações ou a manutenção dos produtos forem efetuadas por pessoas não certificadas.

As especificações e as peças estão sujeitas a alterações sem aviso prévio.

ESCLUSIONE DI RESPONSABILITÀ:**IT**

Questi disegni sono forniti solo come riferimento per l'ordine dei componenti e sono destinati all'uso da parte dei tecnici dell'assistenza.

L'installazione di ricambi originali Numatic deve essere eseguita esclusivamente da tecnici dell'assistenza certificati Numatic specializzati e a conoscenza di tutte le norme di sicurezza pertinenti.

Numatic International Ltd non si assume alcuna responsabilità per eventuali perdite o danni alla proprietà o alle persone se le riparazioni o la manutenzione dei prodotti vengono eseguite da persone non certificate.

Le specifiche e le parti sono soggette a modifiche senza preavviso.

EXENCIÓN DE RESPONSABILIDAD:**ES**

Estos esquemas solo se muestran como referencia para pedir piezas y para su uso por parte de ingenieros de mantenimiento.

La instalación de recambios originales de Numatic solo deben realizarla los ingenieros de mantenimiento homologados de Numatic que estén especializados y familiarizados con las normativas de seguridad pertinentes.

Numatic International Ltd no acepta la responsabilidad de cualquier pérdida o daño a la propiedad o a las personas si las reparaciones o el mantenimiento de los productos se llevan a cabo por personas sin certificación.

Las especificaciones y piezas están sujetas a cambios sin previo aviso.

ZASTRZEŻENIE:**PL**

Rysunki te służą wyłącznie do celów referencyjnych podczas zamawiania części i są przeznaczone do użytku przez inżynierów serwisowych.

Montaż oryginalnych części zamiennych Numatic powinien być wykonywany wyłącznie przez certyfikowanych serwisantów firmy Numatic, którzy posiadają odpowiednie kwalifikacje i znają wszystkie odpowiednie przepisy bezpieczeństwa.

Firma Numatic International Ltd nie ponosi odpowiedzialności za jakiegokolwiek straty lub szkody majątkowe i osobiste, jeśli naprawy lub serwisowanie produktów są przeprowadzane przez osoby nieposiadające certyfikatu.

Dane techniczne i części mogą zostać zmienione bez powiadomienia.

FRISKRIVNINGSKLAUSUL:**SV**

Dessa ritningar är endast avsedda för referens vid beställning av reservdelar och är avsedda för servicetekniker.

Installation av originalreservdelar från Numatic får endast utföras av certifierade Numatic-servicetekniker som specialiserar sig på och känner till alla relevanta säkerhetsföreskrifter.

Numatic International Ltd påtar sig inget ansvar för förlust eller skada på egendom eller person om reparationer eller service av produkter utförs av icke-certifierade personer.

Specifikationerna och produktens delar kan ändras utan föregående meddelande.

VASTUUVAPAUCLAUSEKE:**FI**

Nämä piirrokset on tarkoitettu ainoastaan osien tilaamisen avuksi ja ainoastaan huoltoinsinöörin käyttöön. Aitoja Numatic-varaosia saavat asentaa vain sertifioidut Numatic-huoltoinsinöörit, jotka ovat perehtyneet kaikkiin asiaankuuluviin turvamääräyksiin.

Numatic International Ltd ei ole vastuussa mistään omaisuus- tai henkilövahingoista, jos sertifioidut henkilöt ovat korjanneet tai huoltaneet tuotteita.

Teknisiä ominaisuuksia ja osia voidaan muuttaa ilman erillistä ilmoitusta.

ANSVARFRASKRIVELSE:**DA**

Disse tegninger er kun til reference for reservedelsordrer og er beregnet til serviceteknikere.

Montering af originale Numatic-reservedele må kun udføres af certificerede Numatic-serviceteknikere, der er specialiseret i og har kendskab til alle relevante sikkerhedsbestemmelser.

Numatic International Ltd påtager sig intet ansvar for tab eller skade på ejendom eller person, hvis reparationer eller service på produkter foretages af ikke-certificerede personer.

Specifikationer og dele kan ændres uden varsel.

Numatic International Spare Parts

Model No: TOP TANK ASSEMBLY (TRG)

908971
DRAWING: DRW-28731 ISS:A18
13/10/2023

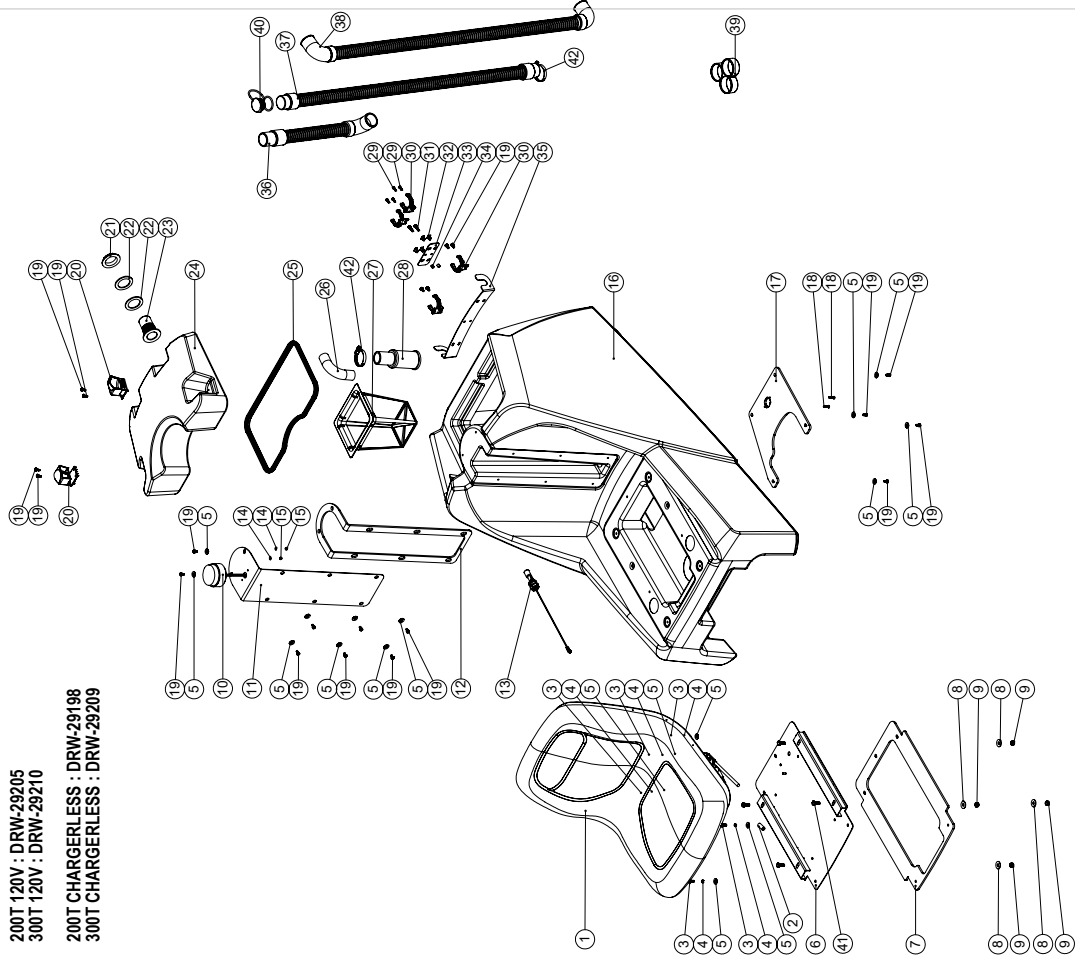
NB: FOR WIRING SEE DRAWING: WD-0???

NB: FOR WIRING SEE DRAWING:

200T 230V : DRW-28869
300T 230V : DRW-29208

200T 120V : DRW-29205
300T 120V : DRW-29210

200T CHARGERLESS : DRW-29198
300T CHARGERLESS : DRW-29209



Numatic International Spare Parts

Model No: TOP TANK ASSEMBLY (TRG)

ITEM:	PART No:	Description	COMMENTS	QTY.
1	910522	MILSCO BACK SEAT XB 180		1
2	908574	RED ROD CAP (30MM)		1
3	219646	M8 X 16MM LONG POZI PAN STAINLESS STEEL SCREW		5
4	291060	WASHER M6 SHAKEPROOF STAINLESS STEEL		5
5	219647	M6 FORM G STAINLESS STEEL WASHER		17
6	908960	TRG SEAT PLATE WELD ASSEMBLY PAINTED SILVER		1
7	908760	SEAT PLATE GASKET		1
8	219716	M8 FORM G STAINLESS STEEL WASHER		4
9	219639	M8 STAINLESS STEEL NYLON INSERT NUT		4
10	208867	FLASHING XENON BEACON X80 SERIES		1
11	908817	BEACON BRACKET & COVER (TRG) M/S		1
12	908117	BEACON BRACKET & COVER GASKET		1
13	902234	FLOAT REED SWITCH ASSEMBLY		1
14	219888	M4 FORM A STAINLESS STEEL WASHER		2
15	219887	M4 STAINLESS STEEL NYLON INSERT NUT		2
16	237337	TOP TANK MOULDING (GRAPHITE)		1
17	908814	TOP TANK CONNECTOR PLATE (TRG) PIP		1
18	219668	N08.3/4 INCH LG. POZI PAN SCREW STAINLESS STEEL PLASTITE		2
19	291131	M5 X 12MM LONG STAINLESS STEEL POZI PAN SEMS SCREW		20
20	902919	CLIP MOULDING (RED)		2
21	206116	BLACK NUT		1
22	219310	RUBBER WASHER		2
23	237526	38MM RED DRAIN HOSE CONNECTOR		1
24	237336	TTV SEPARATOR MOULDING (GRAPHITE)		1
25	391209	1225MM LONG SEALING STRIP		1
26	908398	90° ISO BEND - (BS4825 PT2 LONG)		1
27	908342	TANK FILTER (RED)		1
28	908396	FLOAT BASKET FILTER		1
29	219569	N68 X 1/2 INCH LONG POZI PAN STAINLESS STEEL PLASTITE SCREW		4
30	237754	35-38MM HOSE CLIP		4
31	291133	M5 X 20MM LONG STAINLESS STEEL POZI PAN SEMS SCREW		2
32	900886	NYLON GROMMET NUT (PLASTIC INSERT TO SUIT No 8 PLASTITE SCREW)		4
33	902516	HOSE CLIP BRACKET		1
34	208475	8MM SPACER		2
35	329904	RIDE-ON SQUEEGEE STORAGE BRACKET		1
36	213059	SUCTION HOSE 1450MM X Ø38MM		1
37	908890	DUMP HOSE 1100MM X Ø38MM		1
38	213060	VAC HOSE 1060MM X Ø38MM		1
39	237718	HOSE GUIDE		1
40	900901	RED HOSE CLOSURE (35MM-38MM)		1
41	219717	M8 X 20MM LONG HEXAGONAL STAINLESS STEEL BOLT		4
42	219819	32MM-50MM STAINLESS STEEL HOSE CLIP		2

Numatic International Spare Parts

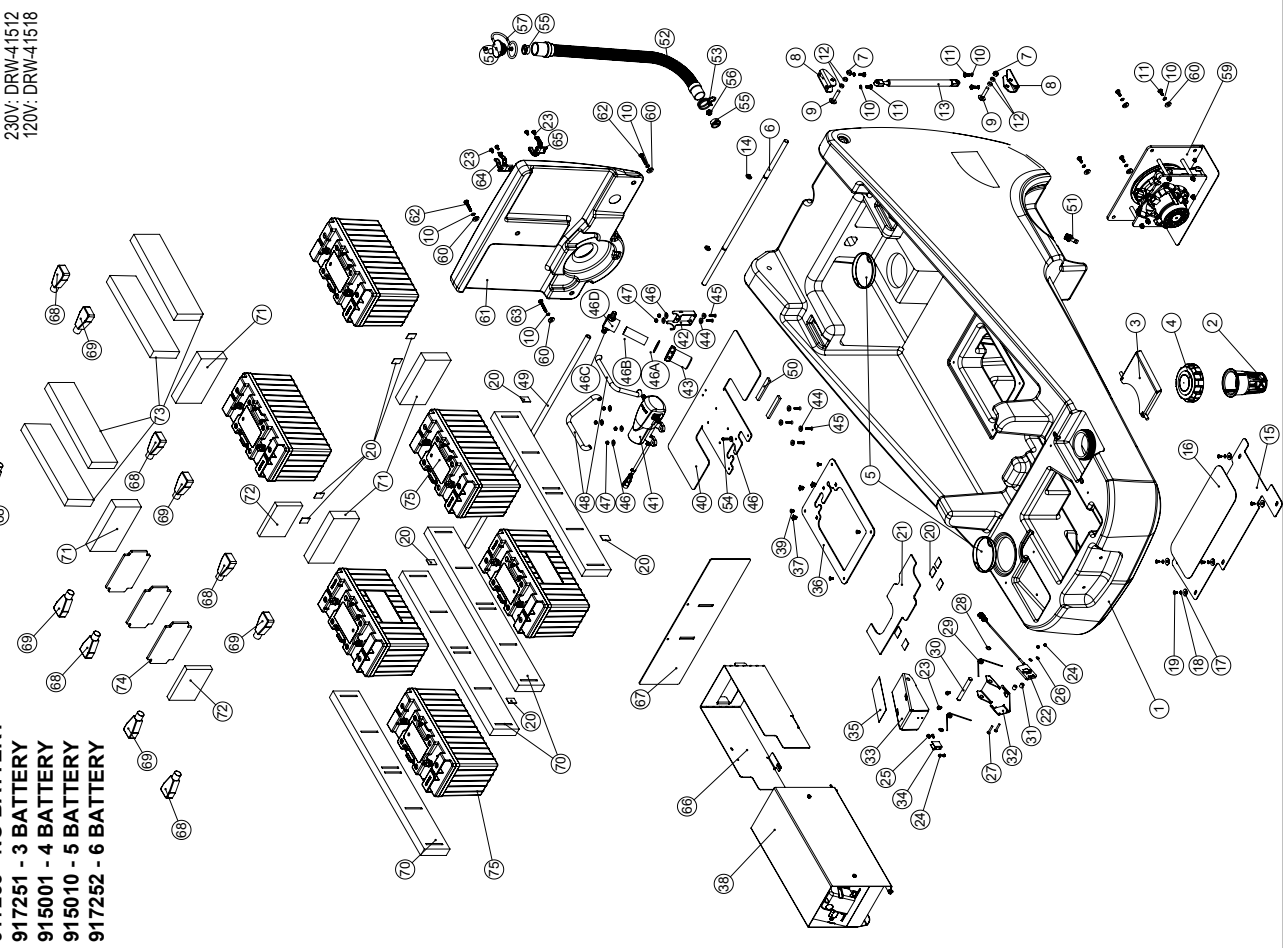
Model No: BOTTOM TANK ASSEMBLY (TRL) EXPLODED DRAWING

917251, 915001, 915010,
917252, 917253
Internal Code: MS5
ISS:A03
DRAWING: DRW-38581

CONFIGURATIONS
917253 - NO BATTERY
917251 - 3 BATTERY
915001 - 4 BATTERY
915010 - 5 BATTERY
917252 - 6 BATTERY

230V: DRW-41512
120V: DRW-41518

NB: FOR WIRING SEE DRAWING:



Numatic International Spare Parts

Model No: BOTTOM TANK ASSEMBLY (TRL) EXPLODED DRAWING

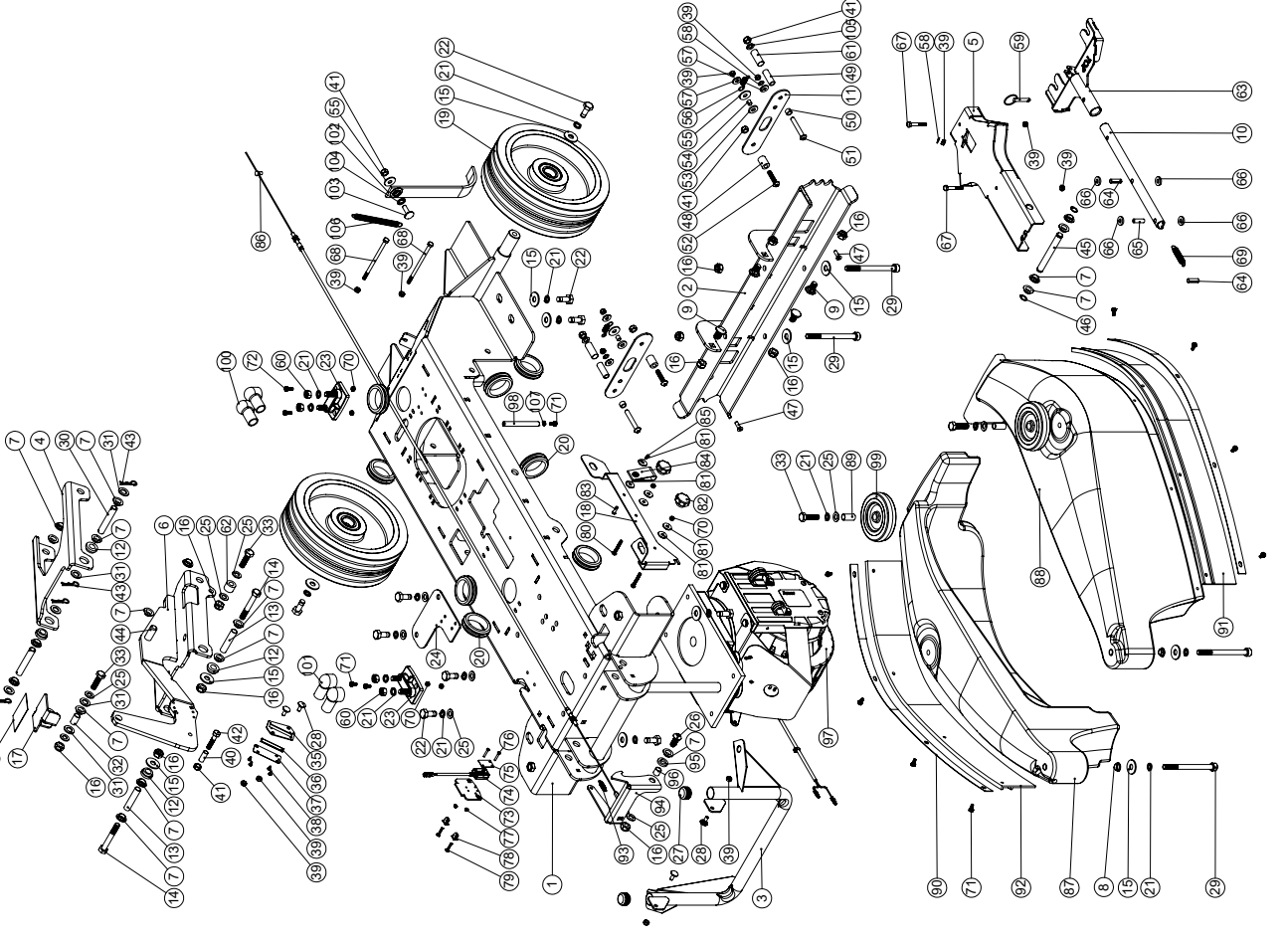
ITEM No.	DESCRIPTION:	QTY. 1	QTY. 2	QTY. 3	QTY. 4	QTY. 5	QTY. 6
1	915168 TRG BOTTOM TANK MouldING	-	-	-	-	-	-
2	908972 TRG BOTTOM TANK MouldING (EP)	-	-	-	-	-	-
3	904197 BOTTOM TANK FILLING FILTER RED	1	1	1	1	1	1
4	908751 FILLER CAP COVER WELD ASSEMBLY	1	1	1	1	1	1
5	904198 RED FILLER CAP	2	2	2	2	2	2
6	219452 100MM DIAMETER HOLE PLUG	1	1	1	1	1	1
7	219639 M8 STAINLESS STEEL NYLON INSERT NUT	2	2	2	2	2	2
8	392455 GAS STRUT BRACKET - CARRIAGE BOLT	2	2	2	2	2	2
9	291120 M8 X 40 CARRIAGE BOLT S/S	11	11	11	11	11	11
10	291060 WASHER M6 SHAKPROOF STAINLESS STEEL	8	8	8	8	8	8
11	291060 WASHER M6 SHAKPROOF STAINLESS STEEL	4	4	4	4	4	4
12	291121 NYLON SPACER I/D 8.2MM X O/D 12MM X 5MM LG	1	1	1	1	1	1
13	208042 GAS STRUT	2	2	2	2	2	2
14	208072 PLASTIC FIXING RING	1	1	1	1	1	1
15	329839 FLOOR PLATE	1	1	1	1	1	1
16	208988 ANTI-SLIP TREAD PAD (SELF ADHESIVE)	1	1	1	1	1	1
17	291118 M5 STAINLESS STEEL WASHER 19MM OD	5	5	5	5	5	5
18	291084 M5 SHAKPROOF WASHER STAINLESS STEEL	5	5	5	5	5	5
19	291004 M5 X 10MM LONG STAINLESS STEEL BUTTION HEAD SCREW	5	5	5	5	5	5
20	280022 19MM X 27MM DOUBLE SIDED PAD	13	13	13	13	13	13
21	392463 TTV 678.3MM POLYPROPYLENE COVER	1	1	1	1	1	1
22	N/A GILL SENSOR ASSEMBLY C/W EDAC 5 WAY PLUG	1	1	1	1	1	1
23	291135 M5 X 10MM LONG STAINLESS STEEL POZI PAN SEMS SCREW	6	6	6	6	6	6
24	219687 M4 X 8MM LONG POZI PAN STAINLESS NUT	4	4	4	4	4	4
25	219687 M4 X 8MM LONG POZI PAN STAINLESS STEEL SCREW	2	2	2	2	2	2
26	219688 M4 FORM A STAINLESS STEEL WASHER	2	2	2	2	2	2
27	291165 M4 X 25MM LONG POZI SCREW STAINLESS STEEL	2	2	2	2	2	2
28	219586 10MM EXTERNAL CIRCLIP	2	2	2	2	2	2
29	208047 TORSION SPRING (LEFT HAND)	1	1	1	1	1	1
30	208046 CIRCLIP BAR	2	2	2	2	2	2
31	219574 NYLON SPACER	1	1	1	1	1	1
32	329841 ACCELERATOR HINGE PLATE	1	1	1	1	1	1
33	329840 ACCELERATOR PEDAL COVER	1	1	1	1	1	1
34	329842 GILL SENSOR ACTIVATOR PLATE - PAINTED SILVER GREY	1	1	1	1	1	1
35	903855 ACCELERATOR GRIP PAD (RED)	1	1	1	1	1	1
36	908822 MID ADAPTOR PLATE (TRG) PP	1	1	1	1	1	1
37	900086 NYLON GROMMET NUT (PLASTIC INSERT TO SUIT No 8 PLASTITE SCREW)	3	3	3	3	3	3
38	915889 230V 20A CHARGER ASSEMBLY (TRL)	1	1	1	1	1	1
39	291008 M5 X 10MM LONG POZI PAN COUNTERSUNK STAINLESS STEEL SCREW	4	4	4	4	4	4
40	908823 WATER PUMP PLATE (TRG) PP	1	1	1	1	1	1
41	909713 WATER PUMP ASSEMBLY	1	1	1	1	1	1
42	304521 FILTER PLATE ASSEMBLY	1	1	1	1	1	1
43	208688 EXTENDED STRAINER	1	1	1	1	1	1
44	219573 SCREW INSULATOR	6	6	6	6	6	6
45	208690 EXTENDED STRAINER CLEAR BOWL	-	-	-	-	-	-
46	208690 EXTENDED STRAINER 50 MESH SCREEN	-	-	-	-	-	-
47	208827 STRAINER BLACK TOP	-	-	-	-	-	-
48	905586 M5 X 20MM LONG POZI PAN COUNTERSUNK SCREW ST/ST	6	6	6	6	6	6
49	219644 M6 FORM G STAINLESS STEEL WASHER	7	7	7	7	7	7
50	397494 SILICON TUBE 8MM I/D X 3.2MM WALL SECTION (CUT 370MM)	6	6	6	6	6	6
51	908857 SILICON TUBE 8MM I/D X 3.2MM WALL SECTION (CUT 850MM)	2	2	2	2	2	2
52	212267 12MM WIDE 6MM THICK INSEAL (60mm)	1	1	1	1	1	1
53	219589 3/8 BSP M/M MALE C/W UNDERCUT & O RING TO 10.5MM HOSETAIL	2	2	2	2	2	2
54	N/A DUMP HOSE	1	1	1	1	1	1
55	902133 SPRING WIRE CLAMP (VDNAC-Y8010356)	1	1	1	1	1	1
56	219588 108.3MM INCH LG POZI-PAN SCREW STAINLESS STEEL PLASTITE	1	1	1	1	1	1
57	904108 FLOAT STOP MouldING	2	2	2	2	2	2
58	904109 FLOAT MouldING	1	1	1	1	1	1
59	904403 BARBED RIVET BLACK	2	2	2	2	2	2
60	908688 VAC MOTOR ASSEMBLY (TRG) 2 STAGE	1	1	1	1	1	1
61	237021 VARIO 3 STAGE BACK DOOR MouldING	7	7	7	7	7	7
62	219643 M6 X 35MM LONG STAINLESS STEEL POZI PAN SCREW	2	2	2	2	2	2
63	219642 M6 X 40MM LONG POZI PAN STAINLESS STEEL SCREW	1	1	1	1	1	1
64	901916 28mm HOSE CLIP	1	1	1	1	1	1
65	237794 35-38MM HOSE CLIP	1	1	1	1	1	1
66	915371 BATTERY SPACER IRL	1	1	1	1	1	1
67	915382 PP BATTERY DIVIDER (TRL)	1	1	1	1	1	1
68	915218 RED BATTERY TERMINAL COVER (4.15NOV02) (19.05MM DIA)	3	3	3	3	3	3
69	915219 BLACK BATTERY TERMINAL COVER (4.15NOV14) (19.05MM DIA)	3	3	3	3	3	3
70	915046 FOAM PAD 640 X 90 X 26	4	4	4	4	4	4
71	915086 FOAM PAD 160 X 90 X 30	2	2	2	2	2	2
72	916431 FOAM PAD 125 X 90 X 15	2	2	2	2	2	2
73	916435 FOAM PAD 260 X 90 X 26	1	1	1	1	1	1
74	916202 Single Battery Foam Spacer	3	3	3	3	3	3
75	911948 N/TK BATTERY (LFPI)	-	-	-	-	-	-
76	N/A CANBUS HI-LO CONNECTOR PCB	-	-	-	-	-	-

▲ ▲ ▲

Numatic International Spare Parts
Model No: CHASSIS ASSEMBLY (TRG) EXPLODED DRAWING

908973
 DRAWING: DRW-28761 ISS:A18
 06/07/2023

NB: FOR WIRING SEE DRAWING: WD-0722



Numatic International Spare Parts
Model No: CHASSIS ASSEMBLY (TRG) EXPLODED DRAWING

ITEM	PART No:	DESCRIPTION	QTY	COMMENTS:
1	908776	CHASSIS WELDED ASSEMBLY (TRG) PAINTED SILVER	1	
2	908758	SIDE POO SLIDE PLATE ASSEMBLY (TRG) ZPL	1	
3	908759	MINI WELD ASSEMBLY (TRG) PAINTED SILVER	1	
4	908757	BRUSH DECK LIFTING PLATE WELDED ASSEMBLY (TRG) ZPL	1	
5	908752	SQUEEGEE LIFTING PLATE WELDED ASSEMBLY (TRG) ZPL	1	
6	908767	BRUSH DECK PEDAL ARM WELD ASSY (TRG) ZPL	1	
7	908803	IGUS BEARING (GFN-1315-06)	18	
8	908804	IGUS BEARING (GFN-1315-06)	18	
9	908840	M10 X 20MM LONG COACH BOLT STAINLESS STEEL	4	
10	908838	PIVOT TUBE WELD ASSEMBLY (TRG)	2	
11	908818	LATCH PLATE (TRG) CW STUD	2	
12	910638	SHOULDER BUSH - Ø12.9MM I/D	2	
13	910638	SHOULDER BUSH - Ø12.9MM I/D	2	
14	904945	M10 X 70MM LONG HEX BOLT STAINLESS STEEL	12	
15	291124	M10 PENNY WASHER STAINLESS STEEL	14	
16	219897	M10 STAINLESS STEEL NYLON INSERT NUT	12	
17	908838	PIVOT TUBE WELD ASSEMBLY (TRG)	2	
18	904916	POWER PLUG BRACKET	1	
19	206839	25MM DIAMETER WHEEL	2	
20	908826	15MM GROMMET X 6MM PANEL THICKNESS	6	
21	219849	M10 STAINLESS STEEL NYLON INSERT NUT	6	
22	219849	M10 STAINLESS STEEL NYLON INSERT NUT	6	
23	908111	POWERBAR DUAL BUSBAR - TWO 2.8" X 1.8"	2	
24	908778	JUNCTION PLATE PAINTED SILVER	1	
25	219903	M10 FORM A STAINLESS STEEL WASHER	13	
26	219903	M10 FORM A STAINLESS STEEL WASHER	13	
27	206837	25.4MM TUBE END STOP	4	
28	291103	M8 X 18 COACH BOLT SIS	4	
29	908840	M10 X 120 SOCKET CAP SCREW STAINLESS STEEL	4	
30	908840	M10 X 120 SOCKET CAP SCREW STAINLESS STEEL	4	
31	219814	PLASTIC WASHER (TRG)	2	
32	908811	12.7MM DIAMETER X 185 X 20MM LONG STAINLESS STEEL TUBE	2	
33	219856	M10 X 55MM LONG HEXAGONAL STAINLESS STEEL SCREW	5	
34	908948	FOOT PEDAL GRIP PAD (Ø65MM)	1	
35	908948	FOOT PEDAL GRIP PAD (Ø65MM)	1	
36	906860	MAGNET (50 X 10 X 1.5mm)	1	
37	906860	MAGNET COVER (ØRG)	1	
38	208955	SNAP BLACK RIVET (REF SR-3095B)	1	
39	208955	SNAP BLACK RIVET (REF SR-3095B)	1	
40	591151	LEVER PIVOT SPACER (SIS 10MM O.D. 18MM I/D X 24MM LONG)	13	
41	219839	M8 STAINLESS STEEL NYLON INSERT NUT	6	
42	291112	M8 X 40 LONG HEX BOLT STAINLESS STEEL	6	
43	591172	SHOULDER WASHERS (Ø90 I/O SIS)	4	
44	206865	PIVOT AXLE (Ø6.35MM LONG X Ø8MM I/D X 3.2MM WALL SECTION)	1	
45	206865	PIVOT AXLE (Ø6.35MM LONG X Ø8MM I/D X 3.2MM WALL SECTION)	1	
46	905551	12MM EXTERNAL CIRCUIT SWITCH	2	
47	908272	M8 X 20MM LONG COUNTERSUNK SOCKET SCREW STAINLESS STEEL	2	
48	908272	M8 X 20MM LONG COUNTERSUNK SOCKET SCREW STAINLESS STEEL	2	
49	908814	NYLON SPACER (Ø 8.2MM X O.D. 12MM X 7.5MM LG)	2	
50	908814	NYLON SPACER (Ø 8.2MM X O.D. 12MM X 7.5MM LG)	2	
51	908814	M8 X 55MM LG SOCKET BUTTON HEAD BOLT STAINLESS STEEL	2	
52	908852	M8 X 55MM LONG SOCKET BOLT STAINLESS STEEL	2	
53	908852	M8 X 55MM LONG SOCKET BOLT STAINLESS STEEL	2	
54	208475	8MM SPACER	3	
55	219716	M8 FORM G STAINLESS STEEL WASHER	3	
56	208079	EXTENSION SPRING	2	
57	219550	M6 FORM B STAINLESS STEEL WASHER	3	
58	219550	M6 FORM B STAINLESS STEEL WASHER	3	
59	208953	DEF TENT PINS	4	
60	908891	3/8" - 16 NUT STAINLESS STEEL	4	
61	908891	3/8" - 16 NUT STAINLESS STEEL	4	
62	908891	3/8" - 16 NUT STAINLESS STEEL	4	
63	908891	3/8" - 16 NUT STAINLESS STEEL	4	
64	208954	SPIRO SPACER	2	
65	208954	SPIRO SPACER	2	
66	208954	SPIRO SPACER	2	
67	291125	M8 X 40 LONG HEX BOLT STAINLESS STEEL	2	
68	905559	M8 X 11MM LONG HEXAGONAL HEAD BOLT ST/ST	2	
69	208955	RETURN SPRING	2	
70	219133	M8 X 24MM LONG STAINLESS STEEL NYLON INSERT NUT	1	
71	219133	M8 X 24MM LONG STAINLESS STEEL NYLON INSERT NUT	1	
72	291132	M8 X 18MM LONG STAINLESS STEEL POZI PAN SEMS SCREW	1	
73	908791	REED SWITCH PLATE (SPEED CONTROL SIS)	2	
74	904501	REED SWITCH ASSEMBLY	1	
75	291155	M8 X 20MM LONG POZI PAN SCREW STAINLESS STEEL	2	
76	291155	M8 X 20MM LONG POZI PAN SCREW STAINLESS STEEL	2	
77	291154	M8 NYLON INSERT NUT STAINLESS STEEL	2	
78	908998	NYLON GROMMET NUT (PLASTIC INSERT TO SUIT NO. 8 PLASTIC SCREW)	2	
79	219863	M8 X 33MM LONG POZI PAN STAINLESS STEEL SCREW	2	
80	219863	M8 X 33MM LONG POZI PAN STAINLESS STEEL SCREW	2	
81	291118	M8 STAINLESS STEEL WASHER (Ø8MM O.D)	6	
82	208456	ITB 1640 SOLESOLE KNOB	2	
83	904972	CLEVIS PIN (SIS Ø8)	1	
84	904972	CLEVIS PIN (SIS Ø8)	1	
85	904928	MINI ROLL UP ZINC PLATED	1	
86	291098	CRO 80655 SQ. LIFT CABLE	1	
87	N/A	RIGHT HAND SIDE POOL MOULDING	1	
88	391224	1 1/2 INCH DIA X 185 SIS TUBE (Ø 0.076)	2	
89	329843	VARIO SPLASH SKIRT FIXING STRIP	2	
90	208947	SPLASH SKIRT	1	
91	208947	SPLASH SKIRT	1	
92	208946	SPRING WASHER	1	
93	208946	SPRING WASHER	1	
94	208949	BRUSH DECK FOOT PEDAL LATCH	1	
95	229346	SPACER	1	
96	303810	12.7MM DIAMETER X 185 X 12.5MM LONG STAINLESS STEEL TUBE	1	
97	208949	BRUSH DECK FOOT PEDAL LATCH	1	
98	208804	87MM LONG ALUMINUM WASHER	1	
99	329187	100MM WHEEL (MODIFIED)	2	
100	208862	BLACK PVC TERMINAL CAP	2	
101	208862	BLACK PVC TERMINAL CAP	2	
102	908983	RED PVC TIE STRAP (OUT TO LENGTH: 270MM LONG)	2	
103	902010	M8 X 25 COACH BOLT SIS	1	
104	291092	M10 INTERNAL LOCK WASHER STAINLESS STEEL	1	
105	219876	M8 FORM A STAINLESS STEEL WASHER	2	
106	219876	M8 FORM A STAINLESS STEEL WASHER	2	
107	291020	M6 STAINLESS STEEL EXTERNAL SHAKEPROOF LOCK WASHER	1	

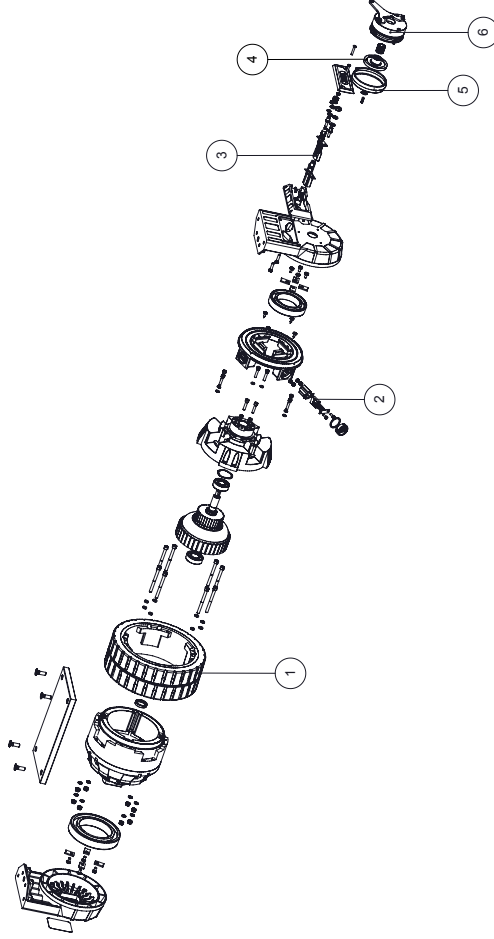
SEE DRW 28741

Numatic International Spare Parts

Model No: TTV678 & TRO650 Motor Wheel & Brake Assembly

NB: FOR WIRING SEE DRAWING: WD-0359, DRW-15631, DRW-13416, DRW-14741

234604
DRAWING: EXP-1032 ISS:A03
28/03/2014



Numatic International Spare Parts

Model No: TTV678 & TRO650 Motor Wheel & Brake Assembly

POS:	ITEM NO:	DESCRIPTION:	COMMENTS:
1	208145	WHEEL	
2	208146	ARMATURE BRUSH	
3	208147	MOTOR BRUSH	
4	208148	FRICION DISC	
5	208149	RUBBER GASKET	
6	321506	MODIFIED ELECTRONICALLY RELEASED BRAKE C/W PINION & SCREWS	

Numatic International Spare Parts

Model No: TTV678 & TRO650 MOTOR WHEEL GEARBOX ASSEMBLY

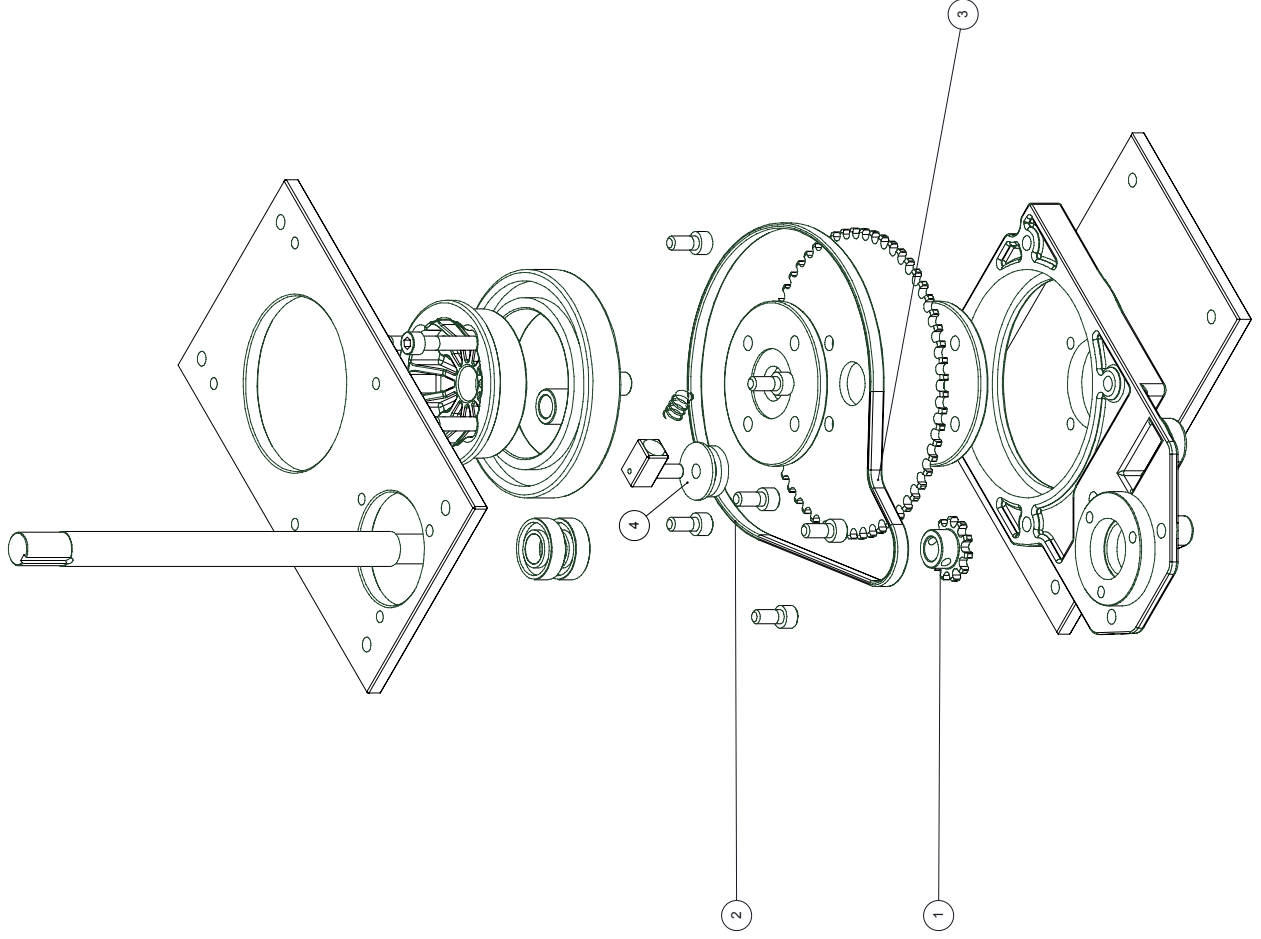
NB: FOR WIRING SEE DRAWING: WD-0359, DRW- 15631, DRW-13416, DRW-14741

234605

DRAWING: EXP-1033

PRO

ISS:A05



Numatic International Spare Parts

Model No: TTV678 & TRO650 MOTOR WHEEL GEARBOX ASSEMBLY EXPLODED DRAWING (EXP-1033)

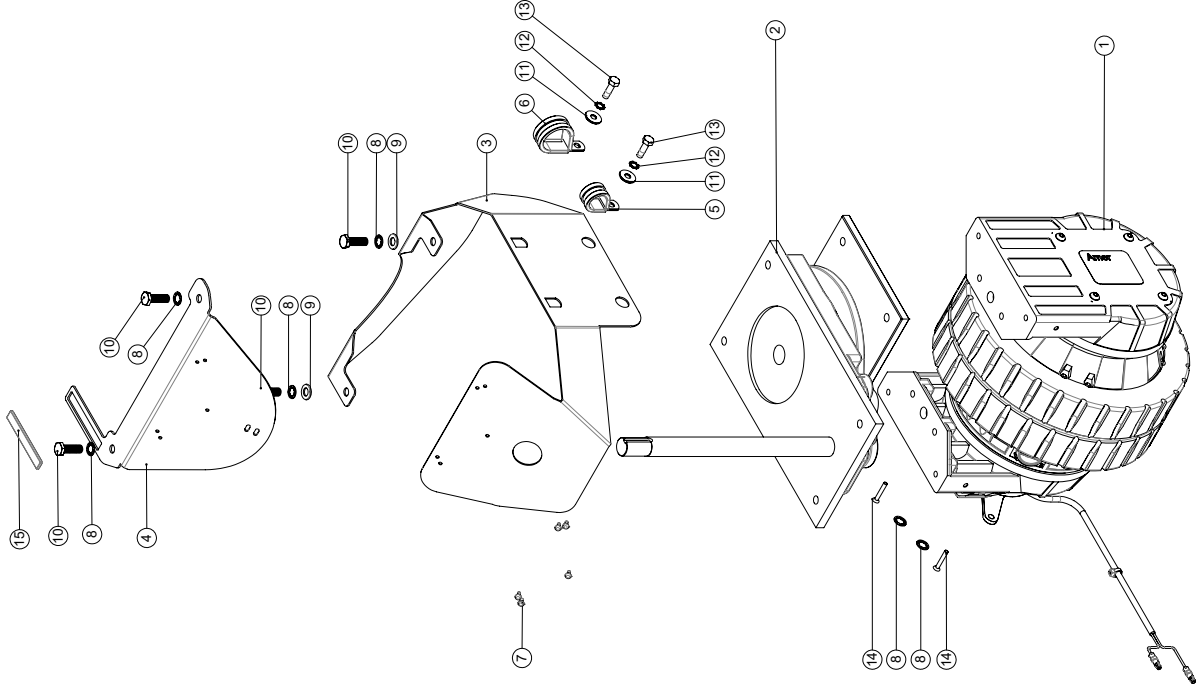
POS:	ITEM NO:	DESCRIPTION:	COMMENTS:
1	208151	PINION	
2	208152	STEERING CHAIN	
3	208153	STEERING CHAIN MASTER LINK	
4	901617	WHEEL TENSIONER	AVAILABLE SEPERATELY

Numatic International Spare Parts

Model No: DRIVE WHEEL ASSEMBLY (TRG) EXPLODED DRAWING

908970
 Internal Code: DRAWING: DRW-28741 ISS:A08
 06/07/2023

NB: FOR WIRING SEE DRAWING: N/A



Numatic International Spare Parts

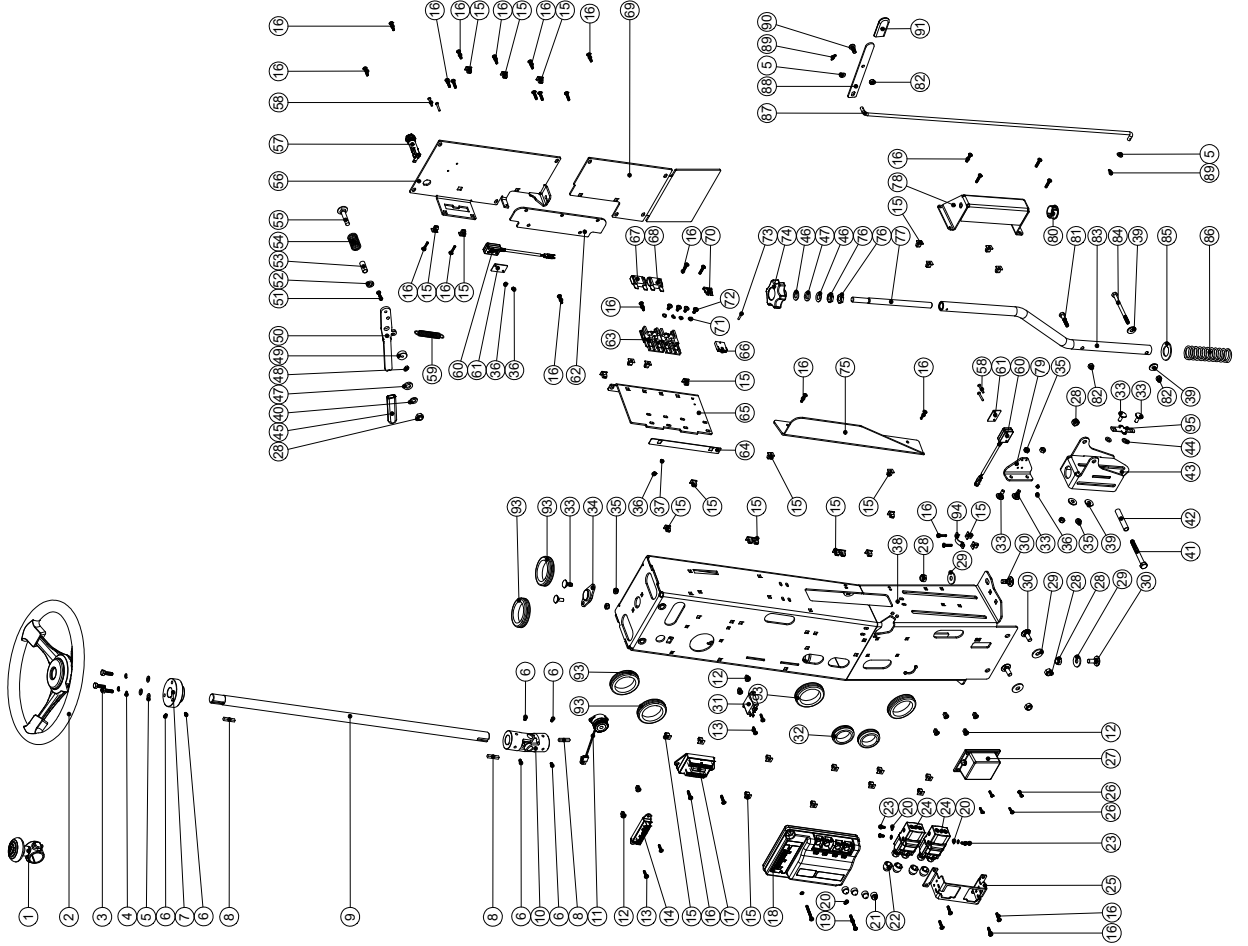
Model No: DRIVE WHEEL ASSEMBLY (TRG) EXPLODED DRAWING

ITEM:	PART No:	DESCRIPTION	COMMENTS:	QTY
1	904964	MOTOR WHEEL & MODIFIED BRAKE LEAD ASSEMBLY (MK2)		1
2	206928	STEERING SYSTEM		1
3	904917	DRIVE WHEEL MUD FLAP		1
4	908792	DRIVE WHEEL CABLE HOLDER (TRG) SIS		1
5	904920	P-CLIP (21) STAINLESS STEEL		1
6	904921	P-CLIP P34 STAINLESS STEEL		1
7	208963	SNAP BLACK RIVET (REF SR-3055B)		5
8	902520	M8 INTERNAL WASHER SHAKEPROOF STAINLESS STEEL		6
9	219578	M8 FORM A STAINLESS STEEL WASHER		2
10	906763	M8 X 25MM LG HEX HEAD SCREW STN STEEL C/W THREADLOCK (LOW HEAD)		4
11	219647	M6 FORM G STAINLESS STEEL WASHER		2
12	902353	M6 EXTERNAL SHAKEPROOF WASHER STAINLESS STEEL		2
13	291144	M6 X 20MM LG HEX HEAD SCREW STAINLESS STEEL C/W THREADLOCK		2
14	904946	M4 X 25MM LG. POZI CSK SCREW (STAINLESS STEEL)		2
15	908115	75 X 10 X 3MM THICK N42 NEDDYMIUM MAGNET (F75103-2)		1

Numatic International Spare Parts

Model No: STEERING COLUMN ASSEMBLY (TRG) EXPLODED DRAWING

908989
 Internal Code: MS5
 DRAWING: DRW-28750 ISS:A14
 02/08/2023



Numatic International Spare Parts

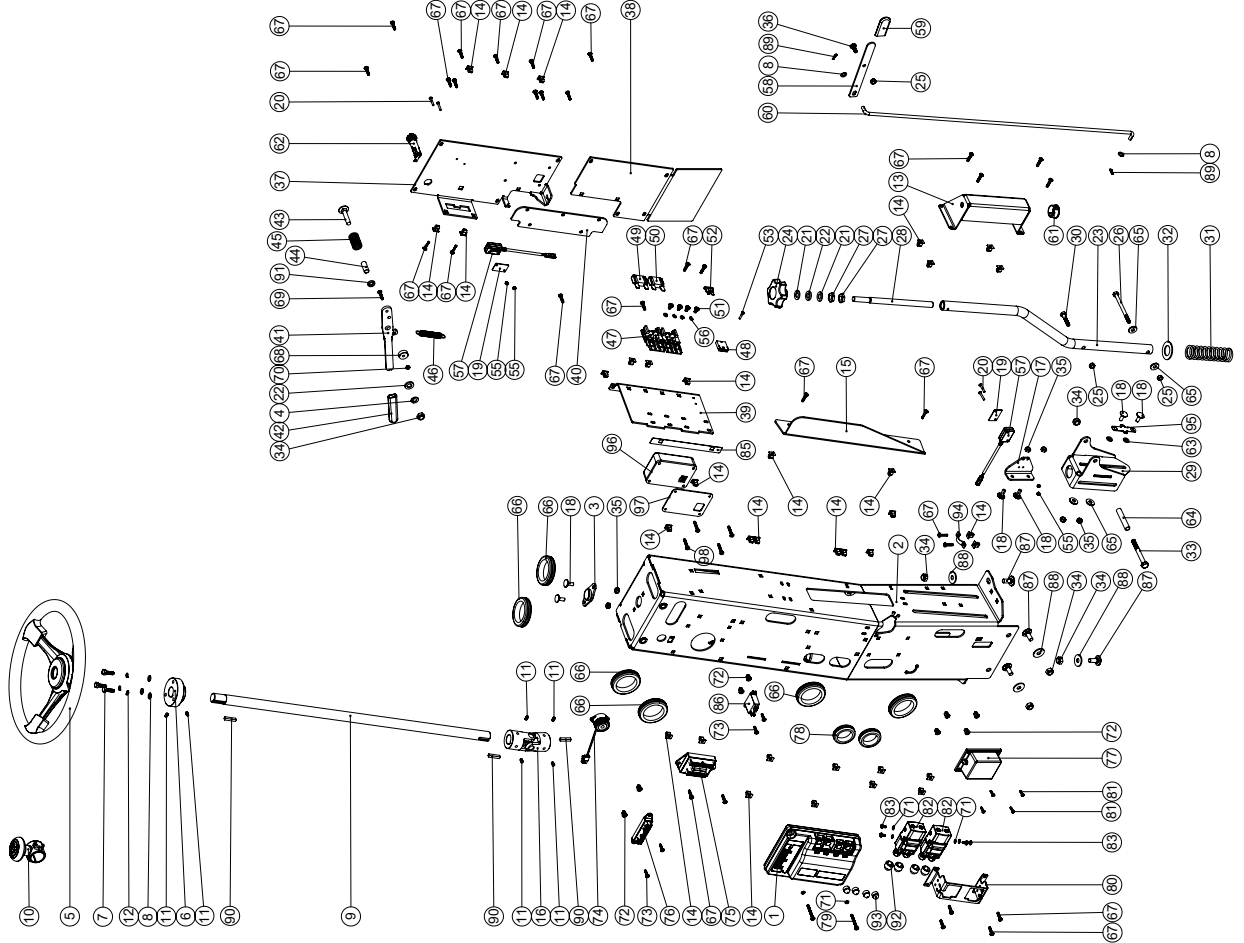
Model No: STEERING COLUMN ASSEMBLY (TRG) EXPLODED DRAWING

ITEM	PART No:	DESCRIPTION	COMMENTS	QTY.
1	208104	STEERING WHEEL KNOB		1
2	206961	30MM STEERING WHEEL C/W CENTRE CAP		1
3	219976	M6 X 20MM LONG HEXAGONAL HEAD SET SCREW		3
4	219549	M6 SINGLE COIL WASHER		3
5	219560	M6 FORM A STAINLESS STEEL WASHER		5
6	219561	M6 FORM A STAINLESS STEEL WASHER		5
7	208660	RIDE ON STEERING WHEEL ADAPTOR		1
8	905374	UNIVERSAL JOINT KEY		3
9	206940	STEERING SHAFT	SPARES PART	1
10	N/A	UNIVERSAL JOINT		1
11	906671	24V DC BUZZER C/W CONNECTOR		1
12	906789	NYLON GROMMET NUT PLASTIC INSERT TO SUIT NO.6 PLASTIC SCREW		8
13	219974	NO8 X 58 INCH LONG POZI-PAN PLASTIC INSERT TO SUIT NO.8 PLASTIC SCREW		4
14	906672	NYLON GROMMET NUT PLASTIC INSERT TO SUIT NO.8 PLASTIC SCREW		4
15	906688	NYLON GROMMET NUT PLASTIC INSERT TO SUIT NO.8 PLASTIC SCREW		37
16	219568	NO8 3/4 INCH LG. POZI-PAN SCREW STAINLESS STEEL PLASTIC		33
17	904179	TERMINAL BLOCK ASSEMBLY		1
18	908113	PROGRAMMED I140 24V DC MOTOR CONTROLLER (TRG)		2
19	219825	NO8 X 1 1/2 INCH LONG POZI PAN STAINLESS STEEL PLASTIC SCREW		1
20	281145	M4 SHAKEPROOF WASHER STAINLESS STEEL		6
21	907916	M6 BOLT AND NUT CAP		4
22	906673	M6 X 20MM LONG POZI PAN STAINLESS STEEL SCREW		4
23	219697	M6 X 20MM LONG POZI PAN STAINLESS STEEL SCREW		4
24	903736	24V ALBRIGHT CONTACTOR (SU602009)		2
25	908753	CONTACTOR BRACKET (TRG) M/S PAINTED SILVER		2
26	291053	3.5 X 12MM POZI PAN PLASTIC SCREW S/S		4
27	905341	MEMO PWM POWER CONTROL 10A M171		1
28	219716	M6 FORM G STAINLESS STEEL NYLON INSERT NUT		6
29	219716	M6 FORM G STAINLESS STEEL NYLON INSERT NUT		4
30	902770	24V RELAY (SPDT NON-LATCHING SURFACE MOUNT)		1
31	208028	GROMMET (32MM ID)		1
32	208028	GROMMET (32MM ID)		2
33	291103	M6 X 16 COACH BOLT S/S		6
34	208110	IGUS (R) 2 BOLT PLAIN BEARING 20MM I/D		1
35	219642	M6 STAINLESS STEEL NYLON INSERT NUT		6
36	281154	M3 NYLON INSERT NUT STAINLESS STEEL		5
37	904219	M3 STAINLESS STEEL EXTERNAL SHAKEPROOF WASHER		1
38	219642	M6 NYLON INSERT NUT STAINLESS STEEL (TRG) M/S PAINTED SILVER		1
39	219642	M6 NYLON INSERT NUT STAINLESS STEEL		4
40	219576	M6 FORM A STAINLESS STEEL WASHER		1
41	902517	M6 X 70MM LONG HEX BOLT STAINLESS STEEL		1
42	391190	54MM LONG X 10MM DIAMETER STAINLESS STEEL TUBE		1
43	908772	BRUSH PRESSURE ADJUSTMENT SLIDE (TRG) S/S		1
44	219493	M6 NYLON WASHER		2
45	903970	LEVER HANDLE Moulding RED WASHER		1
46	219642	M6 NYLON INSERT NUT STAINLESS STEEL		1
47	219864	NYLON WASHER (18MM O/D X 10.4MM I/D X 3MM THICK)		2
48	219867	M4 STAINLESS STEEL NYLON INSERT NUT		1
49	208382	MAGNET (18MM O/D)		1
50	908815	FLOOR TOOL LIFTING HANDLE (TRG) S/S		1
51	219686	M4 X 20MM LONG STAINLESS STEEL POZI PAN MACHINE SCREW		1
52	906640	CARRIAGE BOLT SPACER		1
53	391191	LEVER PIVOT SPACER (S/S 10MM O/D 8MM I/D X 24MM LONG)		1
54	219686	M4 X 20MM LONG STAINLESS STEEL POZI PAN MACHINE SCREW		1
55	291120	M6 X 40 BRASS BOLT S/S		1
56	908605	LEVER PIVOT SELECTOR PLATE (TRG) Z/PL		1
57	903032	BULGIN PANEL MOUNT FUSEHOLDER		1
58	291155	M3 X 20MM LONG POZI PAN SCREW STAINLESS STEEL		4
59	206777	EXTENSION SPRING 65.3MM LONG		2
60	904501	REED SWITCH ASSEMBLY		2
61	906917	REED SWITCH WASHER PLATE (TRG)		2
62	219686	M4 X 20MM LONG STAINLESS STEEL POZI PAN MACHINE SCREW		2
63	291102	FUSE HOLDER RATED AT 80 AMPS		2
64	908747	SYMBOL BACKPLATE RED P/P		1
65	908779	FUSE HOLDER PLATE (TRG) M/S PAINTED SILVER		1
66	906564	ATO FUSE HOLDER (FKH SERIES)		1
67	221091	20 AMP MAXI FUSE		1
68	230104	31 AMP MAXI FUSE		1
69	905570	4 AMP FUSE		1
70	905570	4 AMP FUSE		1
71	219861	M6 SINGLE COIL STAINLESS STEEL WASHER		4
72	219864	M3 X 16MM LONG POZI PAN SCREW Z/PL		4
73	902065	M3 X 16MM LONG POZI PAN SCREW STAINLESS STEEL		1
74	903261	M10 LOBE KNOB (RED)		1
75	329888	STEERING COLUMN SPLASH GAUARD		1
76	219951	ALUMINUM STEEL WITH HEX LOCK NUT (HALF NUT)		2
77	219951	ALUMINUM STEEL WITH HEX LOCK NUT (HALF NUT)		2
78	329863	BRUSH PRESSURE ADJUSTMENT BRACKET P-3		1
79	908780	REED SWITCH BRACKET (TRG) PAINTED SILVER		1
80	206021	19MM (3/4 INCH) SNAP BUSHING		1
81	291022	M6 X 30MM LONG STAINLESS STEEL HEXAGONAL HEAD BOLT		1
82	219683	M6 NYLON STAINLESS STEEL FULL NUT		3
83	908524	BRUSH PRESSURE ADJUSTMENT TUBE WELD ASSY (TRG) S/S		1
84	219915	M6 X 60MM LONG STAINLESS STEEL HEXAGONAL HEAD BOLT		1
85	208016	MANUAL BRUSH DECK ADJUSTMENT SPRING		1
86	391195	PEDAL LATCH RELEASE ROD		1
87	329850	RELEASE HANDLE		1
88	904923	MINI R-CLIP ZINC PLATED		2
89	219646	M6 X 16MM LONG POZI PAN STAINLESS STEEL SCREW		1
90	904191	50MM LONG DIP MOULDED HANDLE COVER (RED)		1
91	220007	BLACK CABLE TIE		17
92	906603	CABLE CLAMP P/P		9
93	906603	CABLE CLAMP P/P		9
94	906603	CABLE CLAMP P/P		9
95	906601	CABLE CLAMP P/P RED		1

Numatic International Spare Parts

Model No: STEERING COLUMN ASSEMBLY (720 TELEMATICS)

917356
 DRAWING: DRW-41833 ISS:A02
 MS5
 02/08/2023



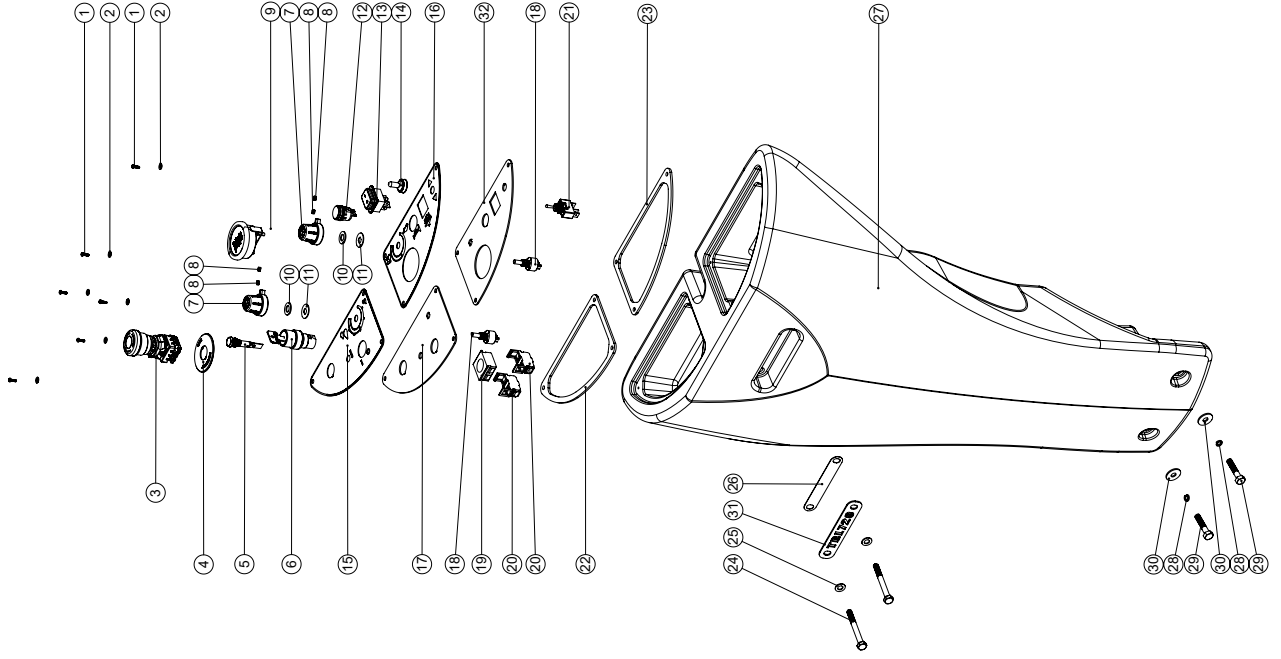
Numatic International Spare Parts

Model No: STEERING COLUMN ASSEMBLY (720 TELEMATICS)

ITEM	PART No.	DESCRIPTION	COMMENTS	QTY.
1	908113	PROGRAMMED 1140 24V DC MOTOR CONTROLLER (TRG)		1
2	908763	STEERING COLUMN WELD ASSEMBLY (TRG)MS PAINTED SILVER		1
3	208110	IGUS IRI 2 BOLT PLAIN BEARING 20MM ID		1
4	208110	IGUS IRI 2 BOLT PLAIN BEARING 20MM ID		1
5	208983	30MM STEERING WHEEL C/W CENTRE CAP		1
6	208980	RIDE-ON STEERING WHEEL ADAPTOR		1
7	219876	M6 X 20MM LONG HEXAGONAL HEAD SET SCREW		3
8	208950	M6 FORM B STAINLESS STEEL WASHER		5
9	208940	STEERING SHAFT (KNOR)		1
10	219784	M6 X 16MM LONG BLACK OXIDISED GRUB SCREW		1
11	219784	M6 X 16MM LONG BLACK OXIDISED GRUB SCREW		1
12	219548	M6 SINGLE COIL WASHER		6
13	329863	BRUSH PRESSURE ADJUSTMENT BRACKET		3
14	900986	NYLON GROMMET NUT PLASTIC INSERT TO SUIT NO 8 PLASTITITE SCREW)		1
15	329888	STEERING COLUMN SPLASH GAUARD		1
16	908780	REED SWITCH BRACKET (TRG) PAINTED SILVER		1
17	908780	REED SWITCH BRACKET (TRG) PAINTED SILVER		1
18	291103	M6 X 16 COACH BOLT S/S		6
19	908617	REED SWITCH WASHER PLATE		2
20	291155	M3 X 20MM LONG POZI PAN SCREW STAINLESS STEEL		4
21	219903	M10 FORM A STAINLESS STEEL WASHER X 3MM THICK		2
22	908824	BRUSH PRESSURE ADJUSTMENT TUBE WELD ASSY (TRG) S/S		2
23	908824	BRUSH PRESSURE ADJUSTMENT TUBE WELD ASSY (TRG) S/S		2
24	903281	M10 LOBE KNOB (RED)		1
25	219983	M6 NYLOC STAINLESS STEEL FULL NUT		3
26	219915	M6 X 80MM LONG STAINLESS STEEL HEXAGONAL HEAD BOLT		1
27	219951	A4 STAINLESS STEEL M10 HEX LOCK NUT (HALF NUT)		2
28	908775	BRUSH PRESSURE ADJUSTMENT SLIDE (TRG) S/S		1
29	908775	BRUSH PRESSURE ADJUSTMENT SLIDE (TRG) S/S		1
30	291022	M6 X 30MM LONG STAINLESS STEEL HEXAGONAL HEAD BOLT		1
31	208016	MANUAL BRUSH DECK ADJUSTMENT SPRING		1
32	291162	M20 FORM B STAINLESS STEEL WASHER		1
33	902517	M8 X 70MM LONG HEX BOLT STAINLESS STEEL		1
34	219843	M6 STAINLESS STEEL NYLON INSERT NUT		6
35	219843	M6 STAINLESS STEEL NYLON INSERT NUT		6
36	219846	M6 X 16MM LONG POZI PAN STAINLESS STEEL SCREW		0
37	916083	LEVER PIVOT/SELECTOR PLATE (TVL850) (MS) - TELEMATICS		1
38	908777	STEERING COLUMN COVER (TRG) MS PAINTED SILVER		1
39	908779	FUSE HOLDER PLATE (TRG)MS PAINTED SILVER		1
40	908815	FLOOR TOOL LIFTING HANDLE (TRG) S/S		1
41	908815	FLOOR TOOL LIFTING HANDLE (TRG) S/S		1
42	903870	LEVER HANDLE Moulding RED		1
43	291120	M8 X 40 CARRIAGE BOLT S/S		1
44	391191	LEVER PIVOT SPACER (S/S) 10MM O/D 8MM I/D X 24MM LONG)		1
45	219592	COMPRESSION SPRING		1
46	208102	FUSE HOLDER (TRG)MS PAINTED SILVER		1
47	208102	FUSE HOLDER (TRG)MS PAINTED SILVER		1
48	908584	A10 FUSE HOLDER (FKH SERIES)		2
49	221091	20 AMP MAXI FUSE		1
50	220104	30 AMP MAXI FUSE		1
51	219894	M5 X 8MM LONG POZI-PAN SCREW Z/P		4
52	902065	M3 X 16MM LONG POZI PAN SCREW STAINLESS STEEL		1
53	902065	M3 X 16MM LONG POZI PAN SCREW STAINLESS STEEL		1
54	904219	M3 STAINLESS STEEL EXTERNAL SHAKEPROOF WASHER		1
55	291154	M3 NYLON INSERT NUT STAINLESS STEEL		5
56	219861	M5 SINGLE COIL STAINLESS STEEL WASHER		2
57	904501	REED SWITCH ASSEMBLY		1
58	904191	5MM LONG DIP MOULDED HANDLE COVER (RED)		1
59	904191	5MM LONG DIP MOULDED HANDLE COVER (RED)		1
60	391196	PEDAL LATCH RELEASE ROD		1
61	208021	19MM (3/4 INCH) SNAP BUSHING		1
62	903032	BULGIN PANEL MOUNT FUSEHOLDER		1
63	219493	M6 NYLON WASHER		2
64	219493	M6 NYLON WASHER		2
65	219497	M6 FORM G STAINLESS STEEL WASHER		4
66	220235	FLOAT GROMMET		6
67	219568	N08.3/4 INCH LG POZI-PAN SCREW STAINLESS STEEL PLASTITE		33
68	208382	MAGNET (19MM O/D)		1
69	219696	M4 X 20MM LONG STAINLESS STEEL POZI PAN MACHINE SCREW		1
70	219696	M4 X 20MM LONG STAINLESS STEEL POZI PAN MACHINE SCREW		1
71	291145	M4 SHAKEPROOF WASHER STAINLESS STEEL		8
72	908769	NYLON GROMMET NUT PLASTIC INSERT TO SUIT NO 6 PLASTITITE SCREW)		6
73	219914	N06 X 5/8 INCH LONG POZI-PAN PLASTITITE STAINLESS STEEL SCREW		4
74	906874	24V DC BUZZER C/W CONNECTOR		1
75	904178	Terminal Block Assembly		1
76	208909	POTTED TERMINAL BLOCK ASSEMBLY		1
77	208909	POTTED TERMINAL BLOCK ASSEMBLY		1
78	208903	GROMMET (32MM I/D)		2
79	219825	N08 X 1 1/2 INCH LONG POZI PAN STAINLESS STEEL PLASTITITE SCREW		2
80	908753	CONTACTOR BRACKET (TRG) MS PAINTED SILVER		1
81	291053	3.5 X 12MM POZI PAN PLASTITITE SCREW S/S		4
82	903736	24V ALBRIGHT CONTACTOR (SUD0-2009)		2
83	208007	BLACK CABLE TIE		17
84	208007	BLACK CABLE TIE		17
85	908747	SYMBOL BACKPLATE RED PIP		1
86	902270	24V RELAY (SPOT NON-LATCHING SURFACE MOUNT)		1
87	291104	M8 X 20 COACH BOLT S/S		4
88	219716	M8 FORM G STAINLESS STEEL WASHER		4
89	903973	UNIVERSAL LONG KEY		2
90	906840	CARRIAGE BOLT SPACER		3
91	906840	CARRIAGE BOLT SPACER		3
92	903260	M8 BOLT AND NUT CAP		4
93	907916	M6 BOLT AND NUT CAP		4
94	909603	CABLE CLAMP PP		1
95	902601	CABLE CLAMP BRASS		1
96	902601	CABLE CLAMP BRASS		1
97	912155	ADHESIVE PAD - TELEMATICS		1
98	219368	N08 X 1 INCH LONG POZI PAN STAINLESS STEEL PLASTITITE SCREW		4

Numatic International Spare Parts
TRL720 FRONT MOULDING ASSEMBLY (TRL)
Model No: EXPLODED DRAWING

914999
 DRAWING: DRW-38578 ISSA02
 MS5
 06/07/2023



Numatic International Spare Parts
Model No: TRL720 FRONT MOULDING ASSEMBLY (TRL) EXPLODED DRAWING

ITEM:	PART No:	DESCRIPTION	COMMENTS	QTY.
1	902534	M3 X 10MM LONG POZI PAN SCREW STAINLESS STEEL		6
2	219688	M4 FORM A STAINLESS STEEL WASHER		6
3	904087	EMERGENCY STOP (XW1E-BV412MFR)		1
4	904086	EMERGENCY STOP NAME PLATE (HWAV-27-Y)		1
5	907298	24V LED GREEN INDICATOR (H0275OSSG6)		1
6	907149	KEY SWITCH SELECTOR (020SCA1)	SPARE KEY - 907208	1
7	903485	SPEED ADJUSTMENT KNOB (RED)		2
8	219744	M4 X 6MM LONG BLACKODISED GRUB SCREW		4
9	914748	NORD (LFP) BATTERY HOUR METER 24V (MODEL: 1428.306.01 BDI NE306 CAN NUMATIC)	O-RING INCLUDED	1
10	219903	M10 FORM A STAINLESS STEEL WASHER		2
11	904094	SPEED CONTROL GASKET		2
12	908658	SEALED PUSHBUTTON SWITCH SINGLE POLE		1
13	902235	SWITCH DPST RED ILLUMINATED WITH MEMBRANE 24V		1
14	206785	SWITCH COVER C/W NUT		1
15	914819	TRL CONTROL PANEL OVERLAY (RIGHT)		1
16	914818	TRL CONTROL PANEL OVERLAY (LEFT)		1
17	908763	RIGHT CONTROL PANEL (TRG) M/S PAINTED SILVER		1
18	270316	POTENTIOMETER TYPE P-30 22K OHMS 20% 3W (WITH PANEL SEAL) (ROUND SHAFT WITH FLAT / NO SLOT IN SHAFT END)		2
19	907150	FIXING ADAPTER (020G)		1
20	907151	TERMINAL BLOCK N.O. (020E10)		2
21	206786	SWITCH		1
22	208097	KEY PANEL GASKET		1
23	208096	PCB GASKET		1
24	291123	M8 X 75 LONG HEX HEAD BOLT STAINLESS STEEL		2
25	219578	M8 FORM A STAINLESS STEEL WASHER		2
26	908745	NAME PLATE SPACER RED PIP		1
27	908786	STEERING COLUMN MOULDING (TRG) PROCESSED		1
28	219898	M8 SINGLE COIL STAINLESS STEEL WASHER		2
29	291112	M8 X 40 LONG HEX BOLT STAINLESS STEEL		2
30	219716	M8 FORM G STAINLESS STEEL WASHER		2
31	915337	TRL720 / VARIO NUMATIC FRONT PLATE S/S		1
32	908765	LEFT CONTROL PANEL (TRG) M/S PAINTED SILVER		1

Numatic International Spare Parts

750 TWINTEC ALUMINIUM FLOOR TOOL
Model No.: (38MM HOSE, RED TRIM, SERILOR BLADES)

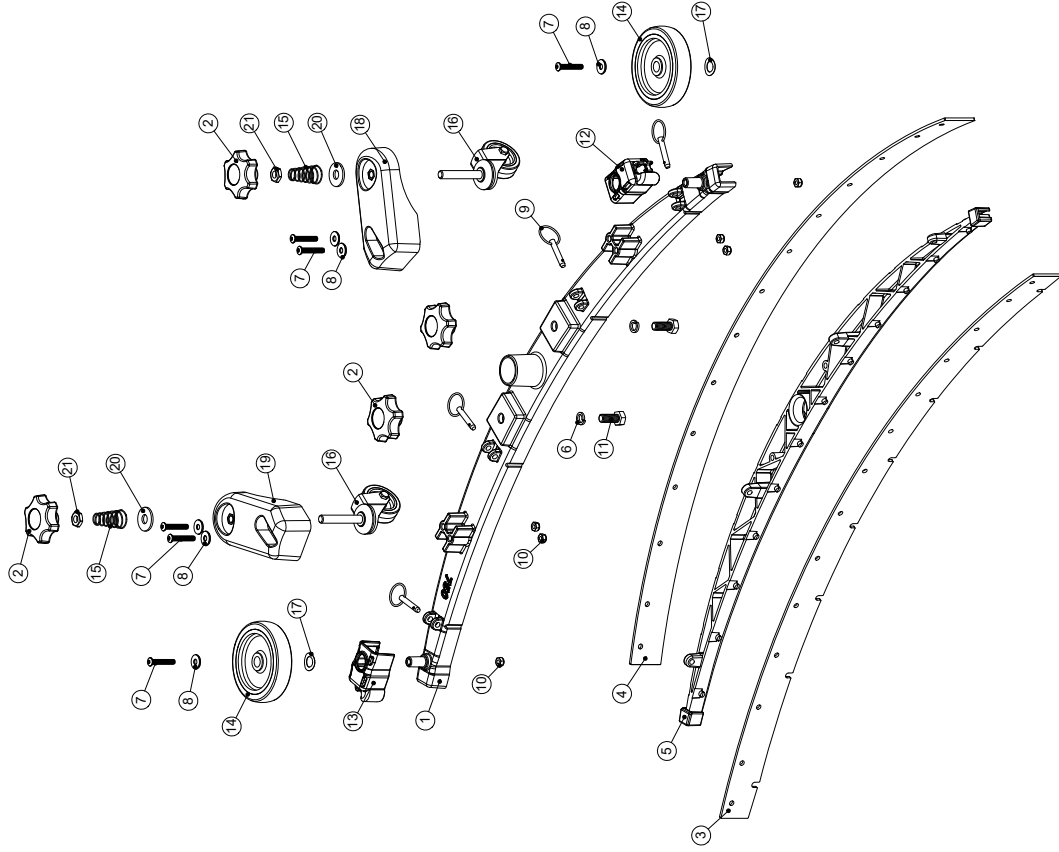
NB: FOR WIRING SEE DRAWING: WD-07??

903853

DRAWING: DRW-23157 ISS:A07
 27/03/2019

Internal Code:

PRO



Numatic International Spare Parts

750 TWINTEC ALUMINIUM FLOOR TOOL (38MM HOSE, RED TRIM, SERILOR BLADES)
Model No.: (750MM SCRUB WIDTH) ALUMINIUM SQUEEGEE CASTING (38MM HOSE FITTING)

ITEM:	PART No:	DESCRIPTION	QTY.
1	208637	(750MM SCRUB WIDTH) ALUMINIUM SQUEEGEE CASTING (38MM HOSE FITTING)	1
2	903281	M10 LOBE KNOB (RED)	4
3	208988	750MM SCRUB WIDTH REPLACEMENT FRONT BLADE (968MM LONG)	1
4	208971	750MM SCRUB WIDTH REPLACEMENT REAR BLADE (1000MM LONG)	1
5	903848	(750MM SCRUB WIDTH) RED BLADE HOLDER Moulding (SLOPING PROFILE) (32MM & 38MM HOSE FITTING)	1
6	219899	M10 SINGLE COIL STAINLESS STEEL WASHER	2
7	219933	M6 X 35MM SOCKET BUTTON HEAD BOLT STAINLESS STEEL	6
8	219647	M6 FORM G STAINLESS STEEL WASHER	6
9	206953	DETENT PINS	4
10	219642	M6 STAINLESS STEEL NYLON INSERT NUT	6
11	219909	M10 X 25MM LONG HEXAGONAL STAINLESS STEEL SCREW	2
12	237322	RIGHT HAND FLOOR TOOL CLIP Moulding	1
13	237323	LEFT HAND FLOOR TOOL CLIP Moulding	1
14	208796	4 INCH WHEEL	2
15	229175	CONICAL SPRING	2
16	907759	50MM DIAMETER GREY TPR TYRED SWIVEL CASTOR C/W M10 X 60 SWAGED STEM.	2
17	219891	13MM WAVEY WASHER	2
18	906860	ADJUSTABLE FLOOR TOOL CASTOR PLASTIC PLATE LEFT	1
19	906859	ADJUSTABLE FLOOR TOOL CASTOR PLASTIC PLATE RIGHT	1
20	291124	M10 PENNY WASHER STAINLESS STEEL	2
21	219951	A4 (STAINLESS STEEL) M10 HEX LOCK NUT (HALF NUT)	2

Numatic International Spare Parts

Model No: 720 BRUSH DECK ASSEMBLY (TRG) EXPLODED DRAWING

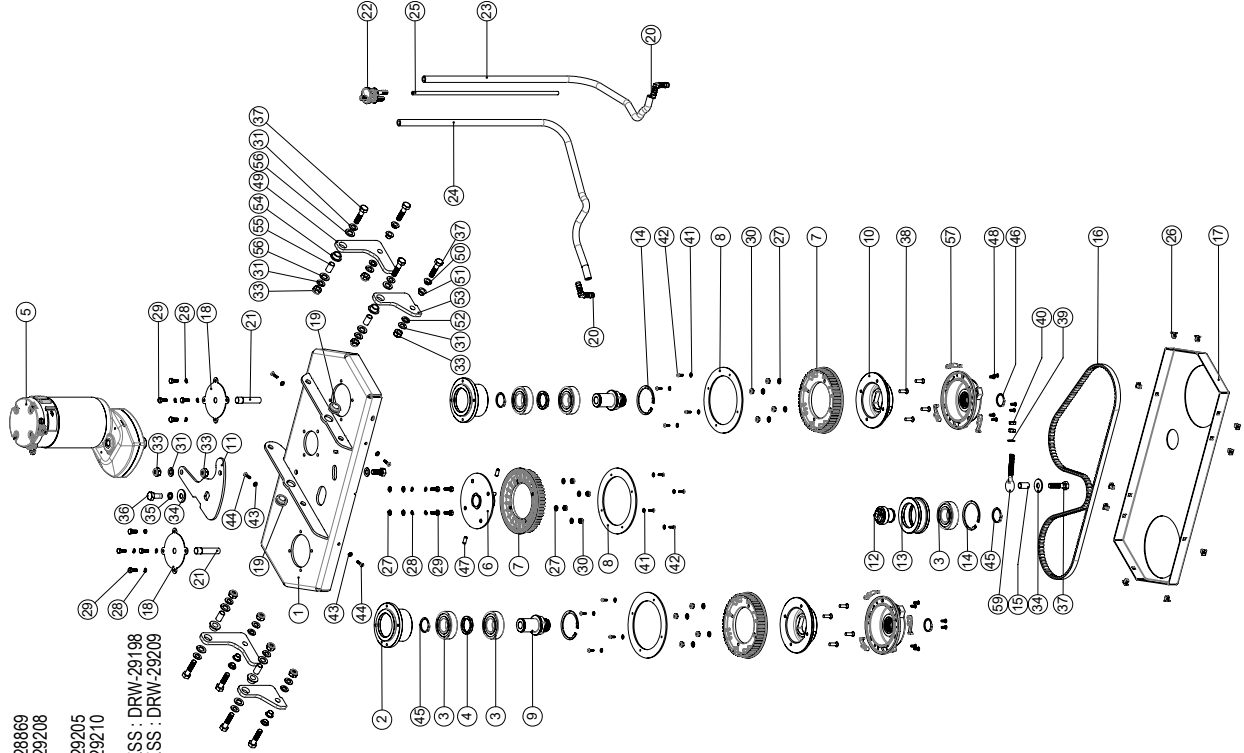
908969
 Internal Code: DRAWING: DRW-28759 ISS:A13
 10/09/2021

NB: FOR WIRING SEE DRAWING:

200T 230V : DRW-28869
 300T 230V : DRW-29208

200T 120V : DRW-29205
 300T 120V : DRW-29210

200T CHARGERLESS : DRW-29198
 300T CHARGERLESS : DRW-29209



Numatic International Spare Parts

Model No: 720 BRUSH DECK ASSEMBLY (TRG) EXPLODED DRAWING

ITEM:	PART No:	DESCRIPTION	COMMENTS:	QTY
1	903617	TWIN BRUSH DECK WELD ASSY ZINC PLATED		1
2	903420	BEARING HOUSING		2
3	206878	BEARING I/D30MM O/D62MM		5
4	903439	SPACER O/D 40MM X I/D 30MM X 5MM		2
5	205192	M/RP6 IP20 AMER MOTOR		1
6	904836	BRUSH MOTOR PULLEY PLATE WELD ASSY ZINC PLATED		1
7	237680	LARGE PULLEY 56TH		3
8	903423	PULLEY FLANGE PLATE		3
9	903421	BRUSH PULLEY SHAFT		2
10	903440	PULLEY MOUNTING ADAPTER		2
11	903619	TENSIONER PIVOT PLATE ZINC PLATED		1
12	903419	TENSIONER SHAFT		1
13	903424	IDLER		1
14	230200	62MM INTERNAL CIRCLIP		3
15	903429	1/2 INCH DIA X 18G S/S TUBE (0.022)		1
16	903438	BELT (GATES GT4 - 1440 - 8MGT - 12)		1
17	903428	TWIN BRUSH DECK - MAIN PLATE COVER		1
18	903432	TWIN BRUSH WATER FEED PLATE		2
19	208143	20MM GROMMET X 6MM PANEL THICKNESS		2
20	903641	10MM HOSE/TAIL ELBOW		2
21	903446	MOTOR SHAFT INSERT		2
22	903445	FLOW DIVIDER ASSY		1
23	391216	SILICON TUBE 8MM I/D X 3.2MM WALL SECTION (CUT 600MM)		1
24	391216	SILICON TUBE 8MM I/D X 3.2MM WALL SECTION (CUT 600MM)		1
25	903463	VENT TUBE		1
26	900986	NYLON GROMMET NUT (PLASTIC INSERT TO SUIT No 8 PLASTITE SCREW)		10
27	219870	M6 FORM A WASHER STAINLESS STEEL		16
28	219718	WASHER M6 SPRING STAINLESS STEEL		12
29	219719	M6 X 16MM LONG HEXAGONAL STAINLESS STEEL HEAD BOLT		12
30	219642	M6 STAINLESS STEEL NYLON INSERT NUT		12
31	219903	M10 FORM A STAINLESS STEEL WASHER		14
32	219909	M10 X 25MM LONG HEXAGONAL STAINLESS STEEL SCREW		1
33	219897	M10 STAINLESS STEEL NYLON INSERT NUT		10
34	291124	M10 PENNY WASHER STAINLESS STEEL		2
35	219899	M10 SINGLE COIL STAINLESS STEEL WASHER		1
36	291141	M10 X 25MM LG HEX HEAD SCREW STAINLESS STEEL CW THREADLOCK		1
37	906868	M10 X 40MM LONG HEX BOLT STAINLESS STEEL		9
38	903441	M6 X 20MM LONG STAINLESS STEEL COUNTERSUNK POZI SCREW		8
39	219578	M8 FORM A STAINLESS STEEL WASHER		1
40	219079	M8 PLAIN NUT		2
41	219688	M4 FORM A STAINLESS STEEL WASHER		12
42	291061	N06 X 1/2 INCH LONG POZI PAN PLASTITE SCREW (STAINLESS STEEL)		12
43	219355	M5 FORM A STAINLESS STEEL WASHER		4
44	219568	N08.34 INCH LG POZI-PAN SCREW STAINLESS STEEL PLASTITE		4
45	903435	30MM EXTERNAL CIRCLIP		3
46	230048	26MM EXTERNAL CIRCLIP		2
47	291139	6MM X 16MM STAINLESS STEEL ROLL PIN		2
48	219683	N06 X 3/8 INCH LONG POZI PAN BLACK COUNTERSUNK PLASTITE SCREW		12
49	908800	REAR LINK ZIPL		2
50	208330	IGUS BEARING (GFM 101206)		4
51	208331	IGUS BEARING (GFM 101209)		4
52	291163	NYLON WASHER 18MM O/D X 10.5MM I/D X 2MM		4
53	908802	FRONT LINK ZIPL		2
54	908830	SHOULDERED BUSH - Ø12.9MM I/D x Ø18MM O/D x 2.0MM FLANGE		4
55	303811	12.7MM DIAMETER X 18G X 20MM LONG STAINLESS STEEL TUBE		4
56	219911	PLASTIC WASHER		8
57	237730	SPRING CLIP		6
58	230285	MODIFIED CHUCK (CRO)		2
59	914423	M8 X 70mm Eye Bolt Zinc Plated		1

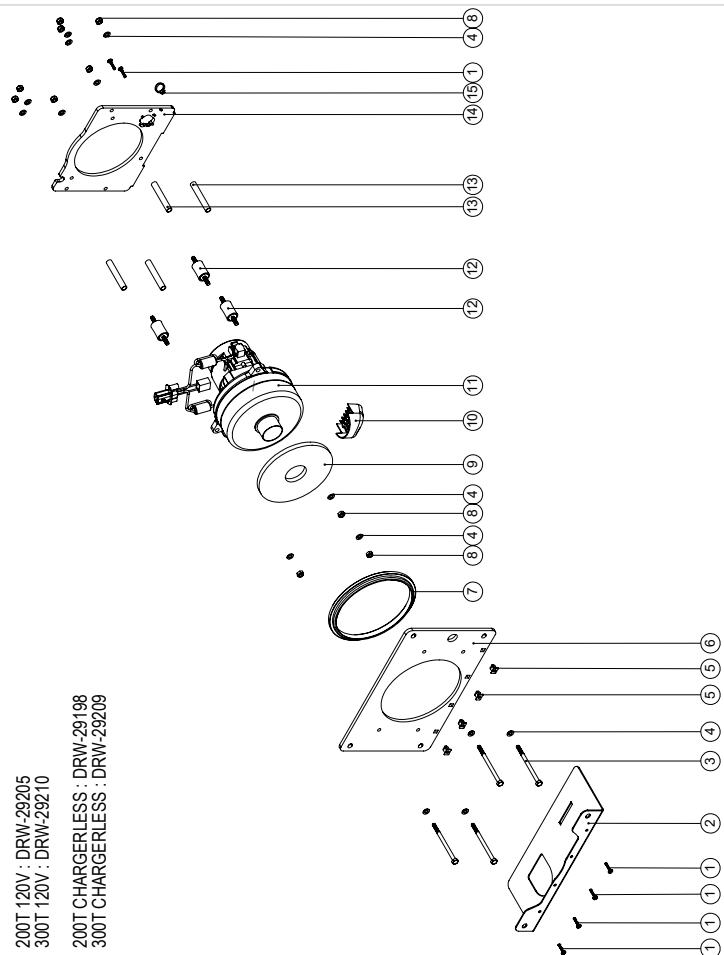
Numatic International Spare Parts
VAC MOTOR ASSEMBLY (TRG) 2
Model No: STAGE EXPLODED DRAWING

NB: FOR WIRING SEE DRAWING.

- 200T 230V : DRW-28869
- 300T 230V : DRW-29208
- 200T 120V : DRW-29205
- 300T 120V : DRW-29210

- 200T CHARGERLESS : DRW-29198
- 300T CHARGERLESS : DRW-29209

908658
 DRAWING: DRW-28717 ISS:A12
 11/10/2022



Numatic International Spare Parts
VAC MOTOR ASSEMBLY (TRG) 2 STAGE EXPLODED DRAWING

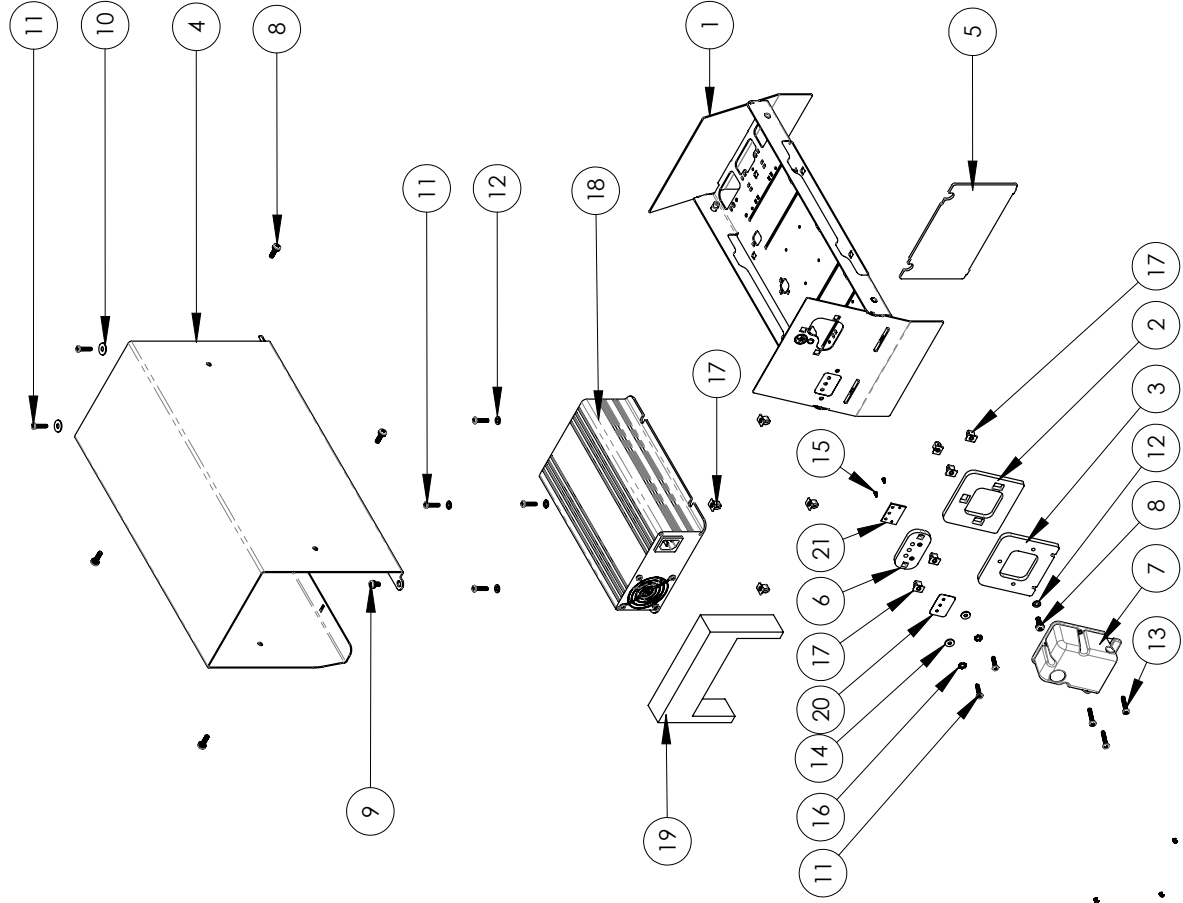
ITEM:	PART No:	Description	QTY.
1	219568	NO8.3/4 INCH LG. POZI-PAN SCREW, STAINLESS STEEL PLASTITE	6
2	908742	VAC MOTOR BOTTOM PLATE (TRG)	1
3	291021	M6 X 90MM LONG STAINLESS STEEL HEXAGONAL HEAD BOLT	4
4	219870	M6 FORM A WASHER STAINLESS STEEL	14
5	900986	NYLON GROMMET NUT (PLASTIC INSERT TO SUIT No 8 PLASTITE SCREW)	4
6	908740	VAC MOTOR REAR PLATE (TRG) PP	1
7	237032	>TPE< 3 STAGE MOTOR GASKET	1
8	219642	M6 STAINLESS STEEL NYLON INSERT NUT	10
9	208477	MOTOR PAD	1
10	237218	TTB 1840 VAC DIFFUSER	1
11	915804	24V TANGENTIAL DISCHARGE 2-STAGE VAC MOTOR & PLUG ASSEMBLY + CHOKE	1
12	208334	30MM x 20MM ANTI VIBRATION MOUNT	3
13	391442	10MM O/D X 1MM WALL THICKNESS S/STEEL TUBE CUT TO LENGTH (0.065)	4
14	908744	VAC MOTOR MIDDLE PLATE (TRG) PP	1
15	220007	BLACK CABLE TIE	1

Numatic International Spare Parts

Model No: 230V 20A CHARGER ASSEMBLY (TRL) EXPLODED DRAWING

915369
 DRAWING: DRW-39204 ISS:A02
 Internal Code: 17/07/2023

NB: FOR WIRING SEE DRAWING:



Numatic International Spare Parts

Model No: 230V 20A CHARGER ASSEMBLY (TRL) EXPLODED DRAWING

Pos.	Item_No	DESCRIPTION	QTY.
1	908733	CHARGER TRAY WELD ASSEMBLY (TRG) PAINTED SILVER	1
2	904505	IEC SOCKET SPACER PP	1
3	904504	IEC SOCKET SECONDARY SPACER PP	1
4	908731	CHARGER COVER (TRG) PAINTED SILVER	1
5	908734	CHARGER AIR DEFLECTOR (TRG) PP	1
6	908735	CHARGER LED PCB SPACER C/W INSERTS (TRG) PP	1
7	904032	240V EMI FILTER WITH SOCKET COVER ASSEMBLY C/W FLAP	1
8	291132	M5 X 16MM LONG STAINLESS STEEL POZI PAN SEMS SCREW	5
9	291135	M5 X 10MM LONG STAINLESS STEEL POZI PAN SEMS SCREW	1
10	219644	M5 FORM G STAINLESS STEEL WASHER	2
11	219568	NO8 3/4 INCH LG. POZI-PAN.SCREW.STAINLESS STEEL.PLASTITE	8
12	219355	M5 FORM A STAINLESS STEEL WASHER	5
13	219369	NO8 X 1 INCH LONG POZI PAN STAINLESS STEEL PLASTITE SCREW	3
14	219462	RUBBER WASHER REF NO. 0380810	2
15	905565	M2 X 6MM LONG POZI PAN SCREW ST/ST	2
16	291020	M5 STAINLESS STEEL EXTERNAL SHAKEPROOF LOCK WASHER	2
17	900986	NYLON GROMMET NUT (PLASTIC INSERT TO SUIT NO 8 PLASTITE SCREW)	9
18	914042	CHARGER. 24V.LFP	1
19	904576	AIR SEPARATOR (20A CHARGER)	1
20	208978	CHARGER LIGHTS OVERLAY	1
21	280002	CHARGER LED DISPLAY PCB	1

**Numatic International Limited (Head Office)**

Chard, Somerset TA20 2GB, UNITED KINGDOM

Tel: 01460 68600 numatic.com

Numatic International GmbH

Fränkische Straße 15-19, 30455 Hannover, DEUTSCHLAND

Tel: +49 (0) 511 984 2160 numatic.de

Numatic International Denmark

Fränkische Straße 15-19, 30455 Hannover, DEUTSCHLAND

Tel: +45 (0) 316 40808 numatic-online.dk

Numatic International S.A.S

13/17 rue du Valengelier, EAE la Tuilerie, 77500 Chelles, FRANCE

Tel: +33 (0) 164 726 161 numatic.fr

Numatic International BV

Vennootsweg 15, 2404 CG, Alphen aan den Rijn, NEDERLAND

Tel: +31 (0) 172 467 999 numatic.nl

Numatic International Schweiz AG.

Sihlbruggstrasse 3A, 6340 Baar, SCHWEIZ

Tel: +41 (0) 41 768 0760 numatic.ch

Numatic International (PTY) Ltd.

Cnr. 16th & Pharmaceutical Road, Randjes Park, Midrand 1685, SOUTH AFRICA

Tel: +27 (0) 861 686 284 numatic.co.za

Numatic International ULDA

Rua Francisco da Silva Duarte, nº79,

4475-269 Santa Maria de Avioso, Castelo da Maia, PORTUGAL

Tel: +351 220 047 700 numatic.pt

Numatic International Spain, S.L.U.

Av. Baix Llobregat, 5-7, Oficina bajos 1 (Parc Negocis Mas Blau II)

08820 El Prat de Llobregat (Barcelona), SPAIN

Tel: +34 93 647 22 22 numatic.es

Numatic International Italy S.R.L

Via Luigi Galvani, 2, Z.I. Talponedo, 33080 Porcia (PN), ITALY

Tel: +39 (0) 434 046 211 numatic.it