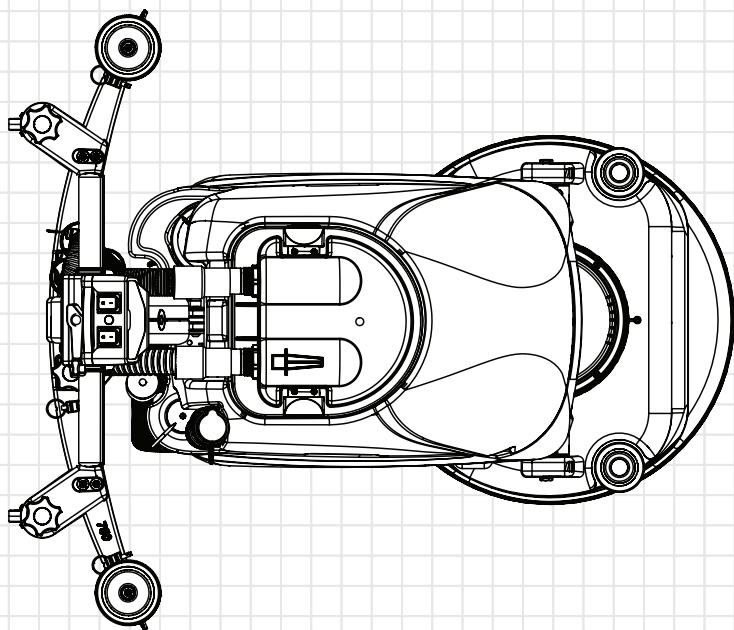
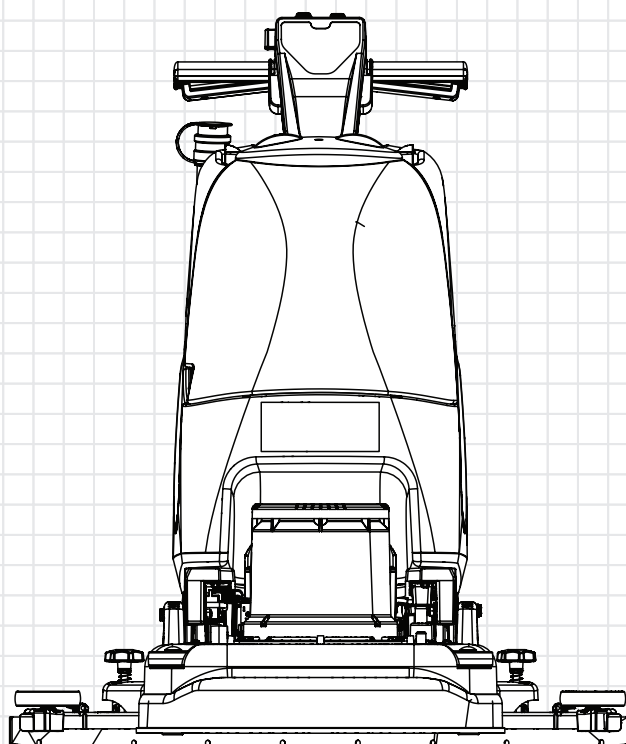
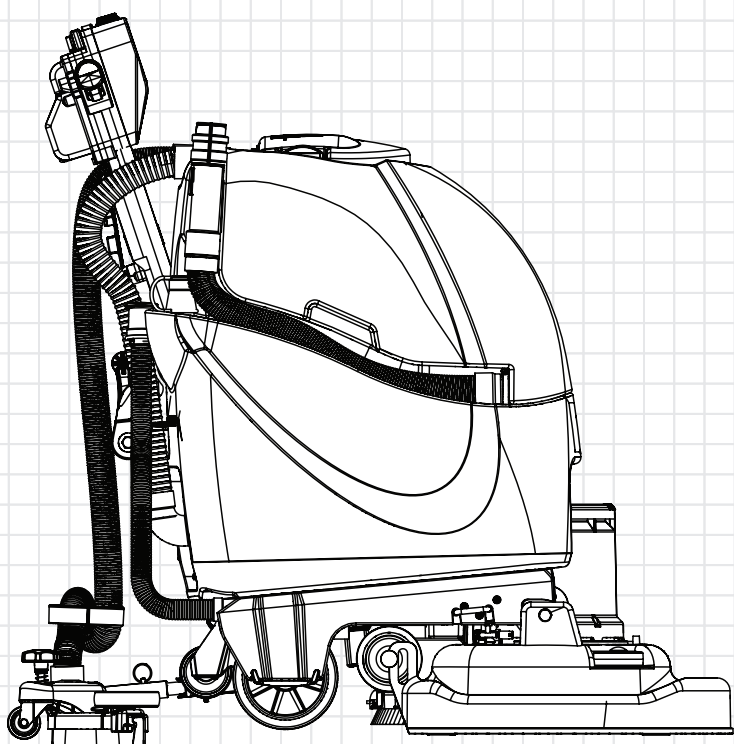


TT4055G



Service Engineer Exploded Drawings



DISCLAIMER:

These drawings are for part order reference only and intended for service engineers use.

The installation of Genuine Numatic spare parts should only be executed by Certified Numatic service engineers who specialised and familiar with all relevant safety regulations.

Numatic International Ltd do not accept responsibility or liability for any loss or damage to property or person if repairs or servicing of products are carried out by non-certified persons.

Specifications and parts are subject to change without notice.

HAFTUNGSAUSSCHLUSS:**DE**

Diese Zeichnungen dienen nur als Referenz für Teilebestellungen und sind nur für den Gebrauch durch Servicetechniker bestimmt.

Die Montage von originalen Numatic-Ersatzteilen darf nur von zertifizierten Numatic-Servicetechnikern ausgeführt werden, die mit allen relevanten Sicherheitsvorschriften vertraut sind.

Numatic International Ltd übernimmt keine Verantwortung oder Haftung für Verluste oder Schäden an Eigentum oder Personen, wenn Reparaturen oder Wartungsarbeiten an Produkten von nicht zertifizierten Personen durchgeführt werden.

Technische Daten und Teile können ohne vorherige Ankündigung geändert werden.

CLAUDE DE NON-RESPONSABILITÉ:**FR**

Ces schémas sont fournis à titre de référence de commande de pièces uniquement et sont destinés aux techniciens de maintenance.

L'installation de pièces de rechange Numatic d'origine doit être effectuée uniquement par des techniciens de maintenance Numatic certifiés spécialisés et familiarisés avec toutes les règles de sécurité applicables.

Numatic International Ltd décline toute responsabilité en cas de perte ou de dommage matériel ou personnel si des réparations ou l'entretien des produits sont effectués par des personnes non certifiées.

Les spécifications et les pièces sont susceptibles d'être modifiées sans préavis.

DISCLAIMER:**NL**

Deze tekeningen zijn uitsluitend bedoeld als referentie voor het bestellen van onderdelen en voor gebruik door servicemonteurs.

De installatie van originele reserveonderdelen van Numatic mag alleen worden uitgevoerd door gecertificeerde servicemonteurs van Numatic die gespecialiseerd zijn en bekend zijn met alle relevante veiligheidsvoorschriften.

Numatic International Ltd aanvaardt geen verantwoordelijkheid of aansprakelijkheid voor verlies of schade aan eigendommen of personen als reparaties of onderhoud aan producten worden uitgevoerd door niet-gecertificeerde personen.

Specificaties en onderdelen kunnen zonder voorafgaande kennisgeving worden gewijzigd.

RENÚNCIA DE RESPONSABILIDADE:**PT**

Estes desenhos servem apenas como referência para a encomenda de peças e destinam-se a ser utilizados pelos técnicos de assistência.

A instalação de peças sobresselentes genuínas da Numatic só deve ser efetuada por técnicos de assistência certificados da Numatic que se especializem e familiarizem com todos os regulamentos de segurança relevantes.

A Numatic International Ltd não aceita qualquer responsabilidade por perdas ou danos materiais ou pessoais se as reparações ou a manutenção dos produtos forem efetuadas por pessoas não certificadas.

As especificações e as peças estão sujeitas a alterações sem aviso prévio.

ESCLUSIONE DI RESPONSABILITÀ:**IT**

Questi disegni sono forniti solo come riferimento per l'ordine dei componenti e sono destinati all'uso da parte dei tecnici dell'assistenza.

L'installazione di ricambi originali Numatic deve essere eseguita esclusivamente da tecnici dell'assistenza certificati Numatic specializzati e a conoscenza di tutte le norme di sicurezza pertinenti.

Numatic International Ltd non si assume alcuna responsabilità per eventuali perdite o danni alla proprietà o alle persone se le riparazioni o la manutenzione dei prodotti vengono eseguite da persone non certificate.

Le specifiche e le parti sono soggette a modifiche senza preavviso.

EXENCIÓN DE RESPONSABILIDAD:**ES**

Estos esquemas solo se muestran como referencia para pedir piezas y para su uso por parte de ingenieros de mantenimiento.

La instalación de recambios originales de Numatic solo deben realizarla los ingenieros de mantenimiento homologados de Numatic que estén especializados y familiarizados con las normativas de seguridad pertinentes.

Numatic International Ltd no acepta la responsabilidad de cualquier pérdida o daño a la propiedad o a las personas si las reparaciones o el mantenimiento de los productos se llevan a cabo por personas sin certificación.

Las especificaciones y piezas están sujetas a cambios sin previo aviso.

ZASTRZEŻENIE:**PL**

Rysunki te służą wyłącznie do celów referencyjnych podczas zamawiania części i są przeznaczone do użytku przez inżynierów serwisowych.

Montaż oryginalnych części zamiennych Numatic powinien być wykonywany wyłącznie przez certyfikowanych serwisantów firmy Numatic, którzy posiadają odpowiednie kwalifikacje i znają wszystkie odpowiednie przepisy bezpieczeństwa.

Firma Numatic International Ltd nie ponosi odpowiedzialności za jakiegokolwiek straty lub szkody majątkowe i osobiste, jeśli naprawy lub serwisowanie produktów są przeprowadzane przez osoby nieposiadające certyfikatu.

Dane techniczne i części mogą zostać zmienione bez powiadomienia.

FRISKRIVNINGSKLAUSUL:**SV**

Dessa ritningar är endast avsedda för referens vid beställning av reservdelar och är avsedda för servicetekniker.

Installation av originalreservdelar från Numatic får endast utföras av certifierade Numatic-servicetekniker som specialiserar sig på och känner till alla relevanta säkerhetsföreskrifter.

Numatic International Ltd påtar sig inget ansvar för förlust eller skada på egendom eller person om reparationer eller service av produkter utförs av icke-certifierade personer.

Specifikationerna och produktens delar kan ändras utan föregående meddelande.

VASTUUVAPAUCLAUSEKE:**FI**

Nämä piirrokset on tarkoitettu ainoastaan osien tilaamisen avuksi ja ainoastaan huoltoinsinöörien käyttöön. Aitoja Numatic-varaosia saavat asentaa vain sertifioidut Numatic-huoltoinsinöörit, jotka ovat perehtyneet kaikkiin asiaankuuluviin turvamääräyksiin.

Numatic International Ltd ei ole vastuussa mistään omaisuus- tai henkilövahingoista, jos sertifioidut henkilöt ovat korjanneet tai huoltaneet tuotteita.

Teknisiä ominaisuuksia ja osia voidaan muuttaa ilman erillistä ilmoitusta.

ANSVARFRASKRIVELSE:**DA**

Disse tegninger er kun til reference for reservedelsordrer og er beregnet til serviceteknikere.

Montering af originale Numatic-reservedele må kun udføres af certificerede Numatic-serviceteknikere, der er specialiseret i og har kendskab til alle relevante sikkerhedsbestemmelser.

Numatic International Ltd påtager sig intet ansvar for tab eller skade på ejendom eller person, hvis reparationer eller service på produkter foretages af ikke-certificerede personer.

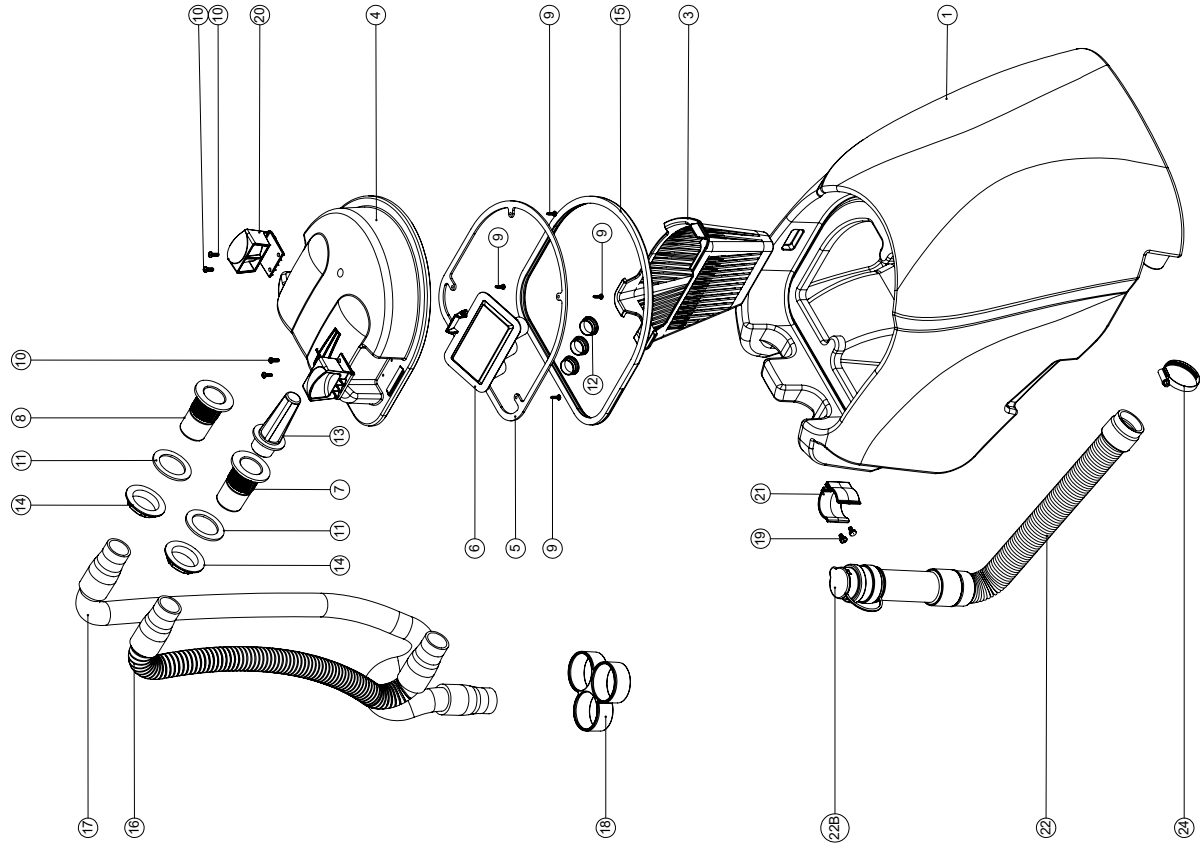
Specifikationer og dele kan ændres uden varsel.

Numatic International Spare Parts

Model No: TT4045 (TT1117) & TT4055 (TT1120) TOP TANK ASSEMBLY

244498

Internal Code: DRAWING: DRW-16795 ISS A14
13/09/2021



Numatic International Spare Parts

Model No: TT4045 (TT1117) & TT4055 (TT1120) TOP TANK ASSEMBLY

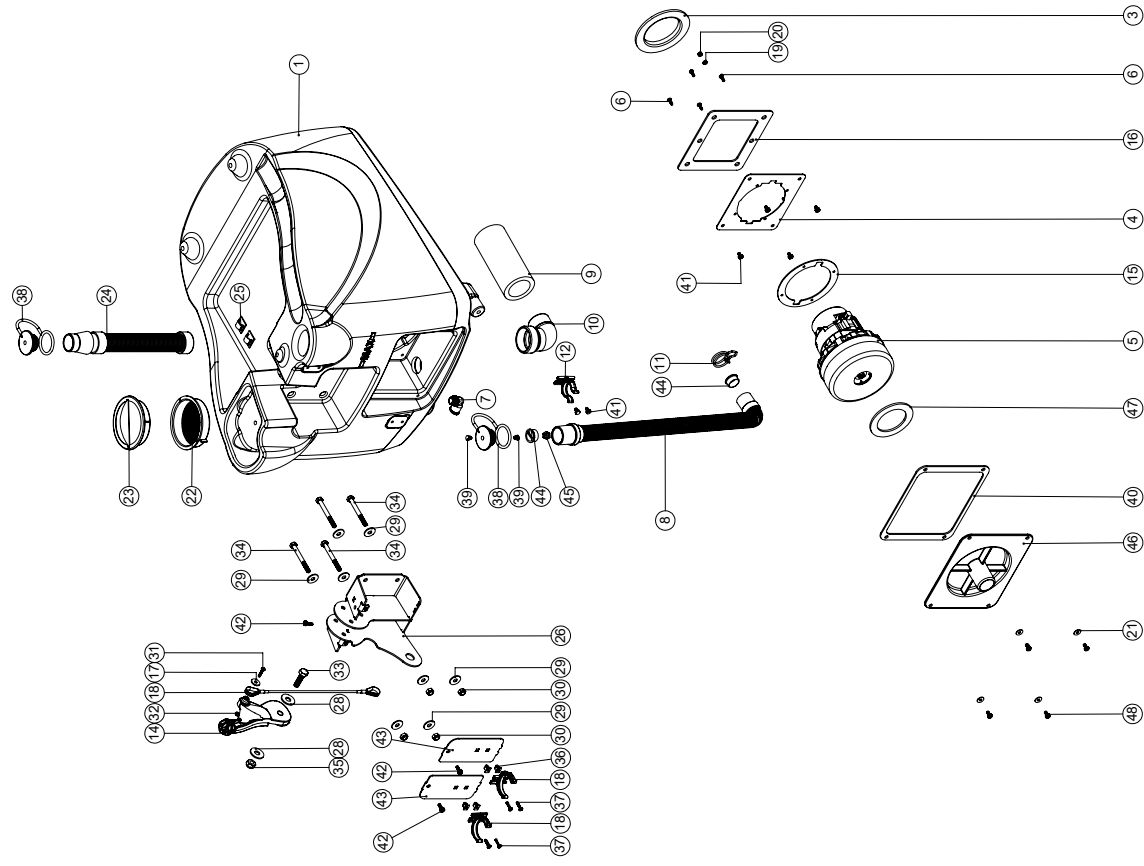
| ITEM: | PART No: | DESCRIPTION | COMMENTS | QTY. |
|-------|----------|---|------------|------|
| | 901780 | TT-4055 TOP TANK MOULDING (GRAPHITE) | | 1 |
| | 237656 | TT-4055 TOP TANK MOULDING (BLUE) | | 1 |
| | 237731 | TT-4055 TOP TANK MOULDING (RED) | | 1 |
| 1 | 237733 | TT-4055 TOP TANK MOULDING (LIGHT YELLOW) | | 1 |
| | 237735 | TT-4055 TOP TANK MOULDING (GREEN) | | 1 |
| | 907514 | HT4045 TOP TANK MOULDING (BLACK) | | 1 |
| 3 | 906070 | MESHLESS FILTER BASKET | | 1 |
| 4 | 237381 | INTEGRATED CHASSIS SEPARATOR | | 1 |
| 5 | 392200 | FILTER GASKET RING | | 1 |
| 6 | 237090 | SEPARATOR FLOAT MOULDING (MK 2) | | 1 |
| 7 | 237526 | 38MM RED DRAIN HOSE CONNECTOR | | 1 |
| 8 | 237018 | 38MM DRAIN HOSE CONNECTOR | | 1 |
| 9 | 219852 | N06 X 1/2 LONG POZI PAN STAINLESS STEEL SELF TAP SCREW | | 4 |
| 10 | 219569 | N08 X 1/2 INCH LONG POZI PAN STAINLESS STEEL PLASTITITE SCREW | | 4 |
| 11 | 219310 | RUBBER WASHER | | 2 |
| 12 | 206315 | TUBE END PLUG | | 3 |
| 13 | 206285 | TT/B 345 BARREL FILTER | | 1 |
| 14 | 206116 | BLACK NUT | | 2 |
| 15 | 208591 | NEW SEPARATOR GASKET | | 1 |
| 16 | N/A | VAC HOSE 650MM X Ø38MM | | 1 |
| 17 | N/A | 35MM X 690MM LONG 3:1 STRETCH HOSE (SHORT & LONG CUFF) | | 1 |
| 18 | 237718 | HOSE GUIDE | | 1 |
| 19 | 291135 | M5 X 10MM LONG STAINLESS STEEL POZI PAN SEMS SCREW | | 2 |
| 20 | 902919 | CLIP MOULDING (RED) | | 2 |
| | 229494 | CLIP MOULDING (GREY) | | 2 |
| 21 | 237382 | ACETAL HOSE CLIP MOULDING | | 1 |
| 22 | 901548 | 35MM X 250MM STRETCH HOSE (3:1) C/W ADJUSTABLE CUFF + CAP | | 1 |
| 22B | 900903 | HOSE CLOSURE REPLACEMENT KIT (35MM-38MM STRETCH HOSE) | SPARE PART | 1 |
| 24 | 219919 | 32MM-50MM STAINLESS STEEL HOSE CLIP | | 1 |

Numatic International Spare Parts

TT4045 (TT1117) & TTB4055 (TT1120) BOTTOM TANK / VAC MOTOR ASSEMBLY

NB: FOR WIRING SEE DRAWING: DRW-18548, DRW-17307, DRW-17309, DRW-18468
NOTE: HT MODELS USE HFV STYLE MOTOR, 230V/50Hz DRW-21894, 115V/50Hz DRW-21891

24497
DRAWING: DRW-16829 ISS:A22
06/06/2018



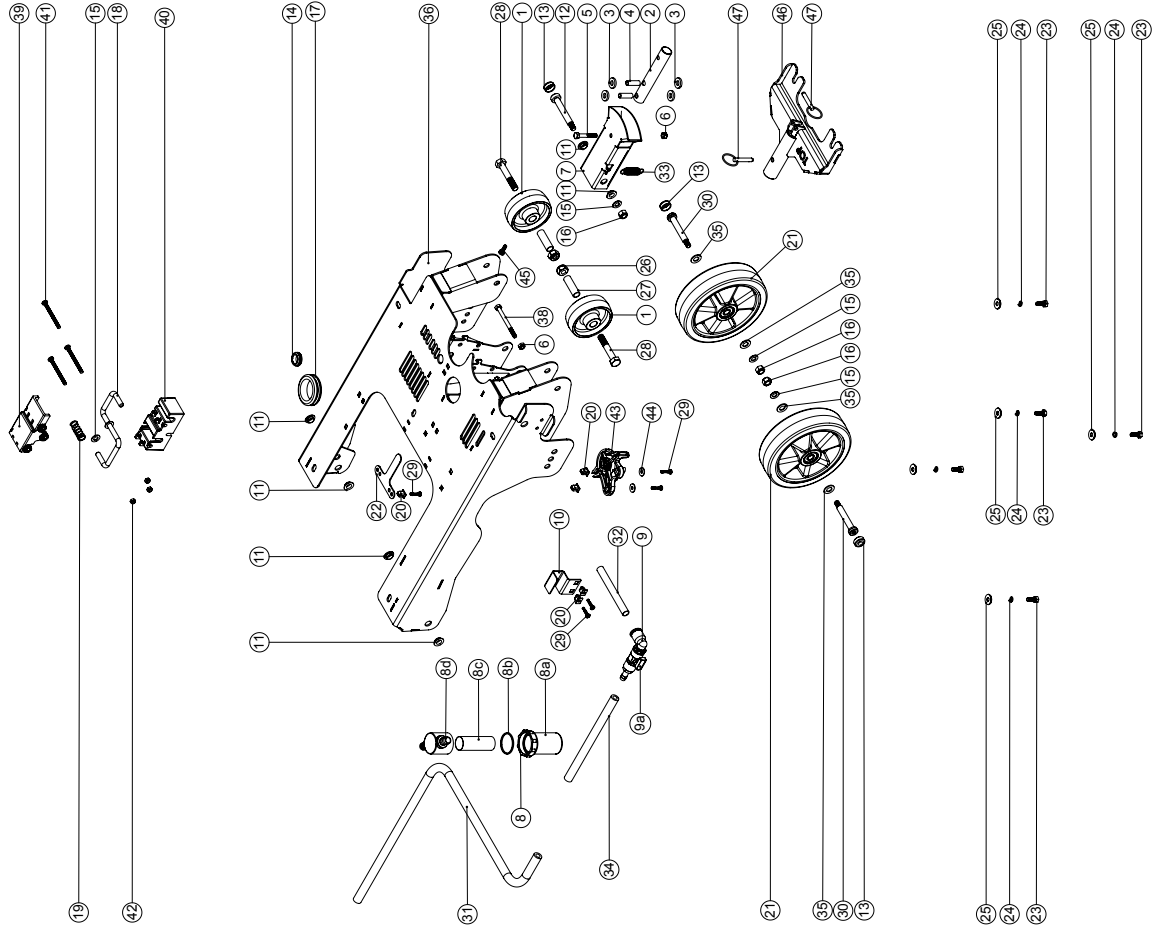
Numatic International Spare Parts

TT4045 (TT1117) & TTB4055 (TT1120) BOTTOM TANK / VAC MOTOR ASSEMBLY

| ITEM: | PART No: | Description | Comments: | QTY. |
|-------|----------|---|---|------|
| 1 | 237657 | TT-4055 BOTTOM TANK MOULDING (GRAPHITE) | | 1 |
| | 237689 | TT-4055 BOTTOM TANK MOULDING (GRAPHITE) EP | | 1 |
| | 907515 | HT4045 BOTTOM TANK MOULDING (RED) | | 1 |
| 3 | 202008 | MOTOR CAP GASKET | | 1 |
| 4 | 304417 | MAINS MOTOR MOUNT WELD ASSEMBLY | | 1 |
| 5 | 205443 | 230V 2 STAGE D.I BYPASS ACUSTEK MOTOR (BLZ1104T) (MARKED 230V) TCO | | 1 |
| | 321935 | 120V VAC MOTOR ASSEMBLY C/W 170MM LONG MOTOR LEAD | 110V/60Hz & 120V/60Hz NACE 5A OVERLOAD, OLDER BLUE MACHINES | 1 |
| | 905736 | 120V 800W VAC MOTOR ASSEMBLY C/W 170MM LONG MOTOR LEAD | 120V/80Hz, 800W VAC, NACE, 15A OVERLOAD, GREY MACHINES | 1 |
| 6 | 219569 | N68 X 1/2 INCH LONG POZI PAN STAINLESS STEEL PLASTITE SCREW | | 4 |
| 7 | 901539 | ELBOW ANGLE CONNECTOR 3/8" PARALLEL THREAD C/W O-RING TO 12MM PUSH IN | | 1 |
| 8 | 213025 | DUMP HOSE | | 1 |
| 9 | 206956 | SILENCER FOAM TUBE 150MM | | 1 |
| 10 | 206583 | DIP MOULDED ELBOW (MAINS VERSION) | | 1 |
| 11 | 902133 | SPRING WIRE CLAMP (YDNAC-Y8010356) | | 1 |
| 12 | 901916 | 28mm HOSE CLIP | | 1 |
| 18 | 237754 | 35-38MM HOSE CLIP | | 2 |
| 14 | 237681 | SQUEEGEE LIFT HANDLE | | 1 |
| | 902324 | RED SQUEEGEE LIFT HANDLE | | 1 |
| 15 | 208801 | TT MOTOR GASKET | | 1 |
| 16 | 208799 | TT MOTOR PLATE GASKET | | 1 |
| 17 | 291118 | M5 STAINLESS STEEL WASHER 19MM OD | | 1 |
| 18 | 208962 | TT LIFTING WIRE | | 1 |
| 19 | 219721 | M5 STAINLESS STEEL FULL NUT | | 1 |
| 20 | 219633 | M5 STAINLESS STEEL NYLON INSERT NUT | | 1 |
| 21 | 219644 | M5 FORM G STAINLESS STEEL WASHER | | 4 |
| 22 | 207128 | CLEAN TANK INLET FILTER | | 1 |
| | 903543 | CLEAN TANK INLET FILTER (RED) | | 1 |
| 23 | 237268 | FILLER CAP LID | | 1 |
| | 903544 | FILLER CAP LID (RED) | | 1 |
| 24 | 206960 | TT/BTT FILLING HOSE | | 1 |
| 25 | 220403 | CABLE CLIP | | 2 |
| 26 | 404216 | HANDLE MOUNT WELD ASSEMBLY - Z/PL | | 1 |
| 27 | 219558 | M5 STAINLESS STEEL NUTSERT | | 3 |
| 28 | 291124 | M10 PENNY WASHER STAINLESS STEEL | | 2 |
| 29 | 219716 | M8 FORM G STAINLESS STEEL WASHER | | 8 |
| 30 | 219639 | M8 STAINLESS STEEL NYLON INSERT NUT | | 4 |
| 31 | 219686 | M4 X 20MM LONG STAINLESS STEEL POZI PAN MACHINE SCREW | | 1 |
| 32 | 219687 | M4 STAINLESS STEEL NYLON INSERT NUT | | 1 |
| 33 | 219695 | M10 X 35MM LONG HEXAGONAL STAINLESS STEEL SCREW | | 1 |
| 34 | 291123 | M8 X 75 LONG HEX HEAD BOLT STAINLESS STEEL | | 4 |
| 35 | 219687 | M10 STAINLESS STEEL NYLON INSERT NUT | | 1 |
| 36 | 900886 | NYLON GROMMET NUT (PLASTIC INSERT TO SUIT No 8 PLASTITE SCREW) | | 4 |
| 37 | 219568 | N08.34 INCH LG.POZI-PAN.SCREW,STAINLESS STEEL,PLASTITE | | 4 |
| 38 | 903341 | 32MM HOSE CAP RED (C/W 8MM HOLE) | | 2 |
| 39 | 904403 | BARBED RIVET BLACK | | 2 |
| 40 | 902275 | VAC PLATE GASKET | | 1 |
| 41 | 291135 | M5 X 10MM LONG STAINLESS STEEL POZI PAN SEMS SCREW | | 6 |
| 42 | 291132 | M5 X 16MM LONG STAINLESS STEEL POZI PAN SEMS SCREW | | 3 |
| 43 | 903539 | HANDLE MOUNT COVER PAINTED SILVER | | 2 |
| 44 | 904108 | FLOAT STOP MOULDING | | 2 |
| 45 | 904109 | FLOAT MOULDING | | 1 |
| 46 | 907553 | VAC MOTOR PLATE MOULDING | | 1 |
| 47 | 907507 | 4MM THICK SEALING RING | | 1 |
| 48 | 291131 | M5 X 12MM LONG STAINLESS STEEL POZI PAN SEMS SCREW | | 4 |

Numatic International Spare Parts
Model No: TT4045 (TT1117) & TT4055 (TT1120) & TTB3045 CHASSIS ASSEMBLY

Internal Code: 244496
 DRAWING: DRW-18813 ISSA10
 28/06/2016



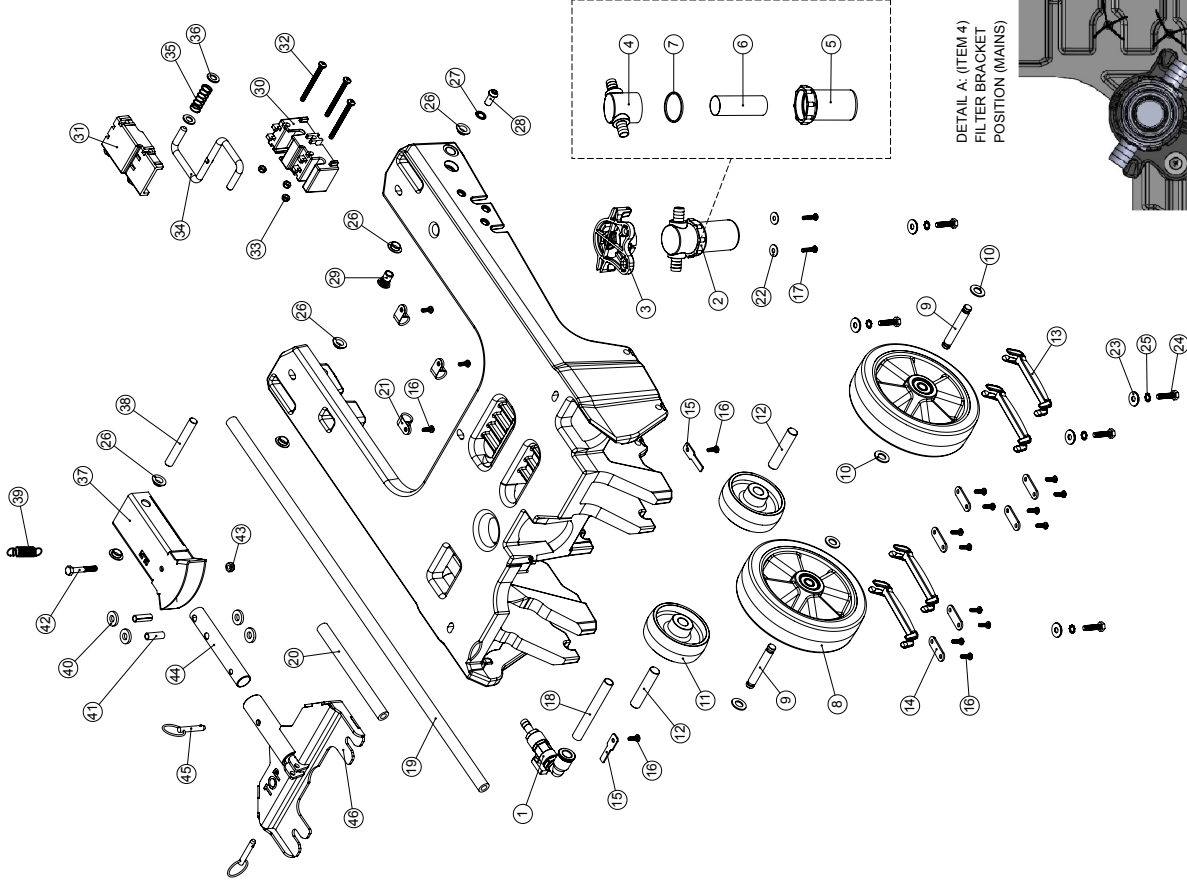
Numatic International Spare Parts
Model No: TT4045 (TT1117) & TT4055 (TT1120) & TTB3045 CHASSIS ASSEMBLY

| ITEM: | PART No: | Description | Comments: | QTY. |
|-------|----------|--|-------------------------|------|
| 1 | 206713 | 80MM DIAMETER WHITE WHEEL | | 2 |
| 2 | 304356 | FLOOR TOOL PIVOT TUBE | | 1 |
| 3 | 206984 | SLIDE NYLON SPACER | | 4 |
| 4 | 206954 | SPIRO SPACER | | 2 |
| 5 | 291125 | M6 X 40 LONG HEX BOLT STAINLESS STEEL | | 1 |
| 6 | 219642 | M6 STAINLESS STEEL NYLON INSERT NUT | | 2 |
| 7 | 304359 | TT/TTB/4045/4055 SQUEEGEE MOUNT WELD ASSEMBLY | | 1 |
| 8 | 208888 | EXTENDED STRAINER | | 1 |
| 8a | 208890 | EXTENDED STRAINER CLEAR BOWL | SPARE ITEM | 1 |
| 8b | 208850 | STRAINER GASKET | SPARE ITEM | 1 |
| 8c | 208889 | EXTENDED STRAINER 50 MESH SCREEN | SPARE ITEM | 1 |
| 8d | 208827 | STRAINER BLACK TOP | SPARE ITEM | 1 |
| 9 | 901543 | 12MM SWIVEL ELBOW PUSH FIT TO 10MM HOSE TAIL BALL VALVE ASSEMBLY | | 1 |
| 9a | 901544 | TAP HANDLE CW COVER AND M3X6MM SCREW (SPARE ITEM) | | 1 |
| 10 | 392314 | 10MM TAP BRACKET | | 1 |
| 11 | 208312 | IGUS BEARING (GFM 101205) | | 6 |
| 12 | 208574 | M8 X 10 X 60 SHOULDER BOLT | | 1 |
| 13 | 237632 | SHOULDER BOLT COVER | | 3 |
| 14 | 219631 | 19MM GROMMET | | 1 |
| 15 | 219578 | M8 FORM A STAINLESS STEEL WASHER | | 4 |
| 16 | 219639 | M8 STAINLESS STEEL NYLON INSERT NUT | | 3 |
| 17 | 208771 | TPR OPEN GROMMET | TT-4045/55 ONLY (MAINS) | 1 |
| 18 | 304358 | DECK LOCK BAR WELD ASSEMBLY | | 1 |
| 19 | 208578 | DECK LOCK SPRING | | 1 |
| 20 | 900986 | NYLON GROMMET NUT (PLASTIC INSERT TO SUIT No 8 PLASTITE SCREW) | | 5 |
| 21 | 208658 | 160mm WHEEL WITH POLYURETHENE TYRE | | 2 |
| 22 | 321902 | SILENCER CLAMP | TT-4045/55 ONLY (MAINS) | 1 |
| 23 | 219719 | M6 X 16MM LONG HEXAGONAL STAINLESS STEEL HEAD BOLT | | 5 |
| 24 | 219718 | WASHER,M6 SPRING,STAINLESS STEEL | | 5 |
| 25 | 219647 | M6 FORM G STAINLESS STEEL WASHER | | 5 |
| 26 | 219897 | M10 STAINLESS STEEL NYLON INSERT NUT | | 2 |
| 27 | 391440 | 1/2 INCH X 18G X 41MM LONG STAINLESS STEEL SPACER TUBE | | 2 |
| 28 | 219894 | M10 X 60MM LONG HEXAGONAL STAINLESS STEEL BOLT | | 2 |
| 29 | 219568 | N08.3/4 INCH LG POZI-PAN SCREW STAINLESS STEEL PLASTITE | | 5 |
| 30 | 291057 | M8 X 10 X 55MM LONG HEX SOCKET SHOULDER BOLT | | 2 |
| 31 | 391216 | SILICON TUBE 8MM I/D X 3.2MM WALL SECTION (CUT 600MM) | | 1 |
| 32 | 901555 | NYLON TUBE 12MM OD X 10MM ID (110MM) | | 1 |
| 33 | 208619 | FLOOR TOOL SPRING | | 1 |
| 34 | 391215 | SILICON TUBE 200MM LONG X 8MM I/D X 3.2MM WALL SECTION | | 1 |
| 35 | 219903 | M10 FORM A STAINLESS STEEL WASHER | | 4 |
| 36 | 900213 | TT/4045/4055 CHASSIS WELD ASSY (12SWG S/S) (2014 MODEL) | | 1 |
| 37 | 219568 | M5 STAINLESS STEEL NUT/SET | | 1 |
| 38 | 291167 | M6 X 70MM LONG HEX HEAD BOLT STAINLESS STEEL | | 1 |
| 39 | 901279 | LATCH BLOCK TOP MOULDING | | 1 |
| 40 | 901280 | LATCH BLOCK BOTTOM MOULDING | | 1 |
| 41 | 901558 | M5 X 60MM STAINLESS STEEL POZI PAN MACHINE SCREW | | 3 |
| 42 | 219633 | M5 STAINLESS STEEL NYLON INSERT NUT | | 3 |
| 43 | 901006 | FILTER MOUNTING BRACKET | | 1 |
| 44 | 219644 | M5 FORM G STAINLESS STEEL WASHER | | 2 |
| 45 | 291132 | M5 X 16MM LONG STAINLESS STEEL POZI PAN SEMS SCREW | | 1 |
| 46 | 304466 | FLOOR TOOL BRACKET ASSEMBLY (TT/TTB/4045/4055) | | 1 |
| 47 | 206953 | DETENT PINS | | 2 |

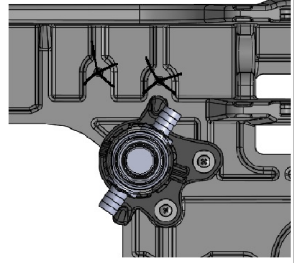
Numatic International Spare Parts

Model No: TT4045G & TT4055G CHASSIS ASSEMBLY EXPLODED VIEW

Internal Code: 904402
 Drawing No: DRW-23621 ISS:A05



DETAIL A: (ITEM 4)
 FILTER BRACKET
 POSITION (MAINS)



Numatic International Spare Parts

Model No: TT4045G & TT4055G CHASSIS ASSEMBLY EXPLODED VIEW

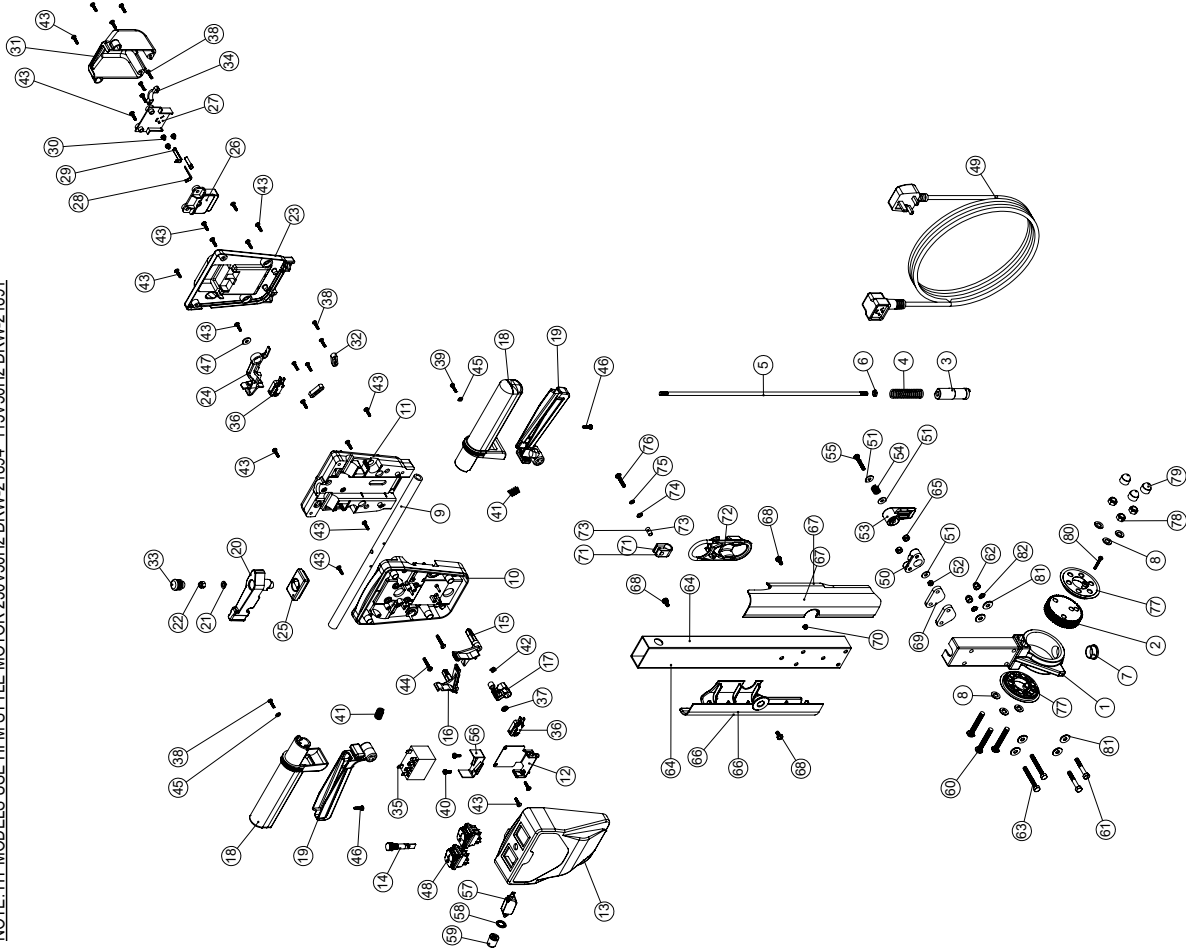
| ITEM: | PART No: | DESCRIPTION | COMMENTS: | QTY |
|-------|----------|--|-------------------------|-----|
| | 904902 | PLASTIC CHASSIS (BLACK) | | |
| 1 | 901543 | 12MM SWIVEL ELBOW PUSH FIT TO 10MM HOSE TAIL BALL VALVE ASSEMBLY | | 1 |
| 2 | 208888 | EXTENDED STRAINER | | 1 |
| 3 | 901006 | FILTER MOUNTING BRACKET | DETAIL A | 1 |
| 4 | 208827 | STRAINER BLACK TOP | PART OF ITEM 3 (208888) | 1 |
| 5 | 208890 | 68MM EXTENDED STRAINER CLEAR BOWL | PART OF ITEM 3 (208888) | 1 |
| 6 | 208889 | EXTENDED STRAINER 50 MESH SCREEN | PART OF ITEM 3 (208888) | 1 |
| 7 | 208830 | STRAINER GASKET | PART OF ITEM 3 (208888) | 1 |
| 8 | 208638 | 160mm WHEEL WITH POLYURETHENE TYRE | | 2 |
| 9 | 903577 | AXLE BAR ST/ST 10MM DIA. 68MM LONG | | 2 |
| 10 | 219603 | M10 FORM A STAINLESS STEEL WASHER | | 4 |
| 11 | 206713 | 60MM DIAMETER WHITE WHEEL | | 2 |
| 12 | 903576 | AXLE BAR ST/ST 12.7MM DIA. 60MM LONG | | 2 |
| 13 | 903597 | AXLE CLIP | | 4 |
| 14 | 903596 | AXLE PLATE | | 6 |
| 15 | 903594 | TAP PLATE | | 2 |
| 16 | 219569 | N08.1/2 INCH LG.POZI-PAN SCREW STAINLESS STEEL PLASTITE | | 17 |
| 17 | 219568 | N08.3/4 INCH LG.POZI-PAN SCREW STAINLESS STEEL PLASTITE | | 2 |
| 18 | 903573 | NYLON TUBE 12MM OD X 10MM ID (96MM +-1.0) | | 1 |
| 19 | 903580 | SILICON TUBE 640MM LONG X 8MM ID X 14.4MM OD | | 1 |
| 20 | 903581 | SILICON TUBE 155MM LONG X 8MM ID X 14.4MM OD | | 1 |
| 21 | 219465 | P-CLIP | | 3 |
| 22 | 219644 | M6 FORM G STAINLESS STEEL WASHER | | 2 |
| 23 | 219647 | M6 FORM G STAINLESS STEEL WASHER | | 5 |
| 24 | 219625 | M6 x 25MM LONG STAINLESS STEEL HEX SCREW | | 5 |
| 25 | 902353 | M6 EXTERNAL SHAKEPROOF WASHER STAINLESS STEEL | | 5 |
| 26 | 206812 | IGUS BEARING (GFM 101205) | | 6 |
| 27 | 902520 | M8 INTERNAL WASHER SHAKEPROOF STAINLESS STEEL | | 1 |
| 28 | 903566 | M8X16MM LONG STAINLESS STEEL SOCKET BUTTON HEAD BOLT | | 1 |
| 29 | 903565 | M8 STAINLESS STEEL HEADED NUTSERT | | 1 |
| 30 | 901280 | LATCH BLOCK BOTTOM MouldING | | 1 |
| 31 | 901279 | LATCH BLOCK TOP MouldING | | 1 |
| 32 | 901558 | M6 X 60MM STAINLESS STEEL POZI PAN MACHINE SCREW | | 3 |
| 33 | 219633 | M6 STAINLESS STEEL NYLON INSERT NUT | | 3 |
| 34 | 904440 | DECK LATCH BAR | | 1 |
| 35 | 208578 | DECK LOCK SPRING | | 1 |
| 36 | 219578 | M8 FORM A STAINLESS STEEL WASHER | | 2 |
| 37 | 304359 | TT/TTB4045/4055 SQUEEGEE MOUNT WELD ASSEMBLY | | 1 |
| 38 | 903575 | AXLE BAR ST/ST 10MM DIA. 75MM LONG | | 1 |
| 39 | 206819 | FLOOR TOOL SPRING | | 1 |
| 40 | 206964 | SLIDE NYLON SPACER | | 4 |
| 41 | 206954 | SPIRO SPACER | | 2 |
| 42 | 291125 | M6 X 40 LONG HEX BOLT STAINLESS STEEL | | 1 |
| 43 | 219642 | M6 STAINLESS STEEL NYLON INSERT NUT | | 1 |
| 44 | 304356 | FLOOR TOOL PIVOT TUBE | | 1 |
| 45 | 206953 | DETENT PINS | | 2 |
| 46 | 304466 | FLOOR TOOL BRACKET ASSEMBLY (TT/TTB4045/4055) | | 1 |
| 47 | 903589 | TT/B PLASTIC CHASSIS | | 1 |

Numatic International Spare Parts

Model No: TT4045 (TT1117) & TT4055 (TT1120) HANDLE ASSEMBLY EXPLODED

244495
DRAWING: DRW-16831 ISS:A24
01/03/2022

NB: FOR WIRING SEE DRAWING: DRW-18548, DRW-17307, DRW-17309, DRW-18468
NOTE: HT MODELS USE HFM STYLE MOTOR 230V/50HZ DRW-21894, 115V/50HZ DRW-21891



Numatic International Spare Parts

Model No: TT4045 (TT1117) & TT4055 (TT1120) HANDLE ASSEMBLY EXPLODED

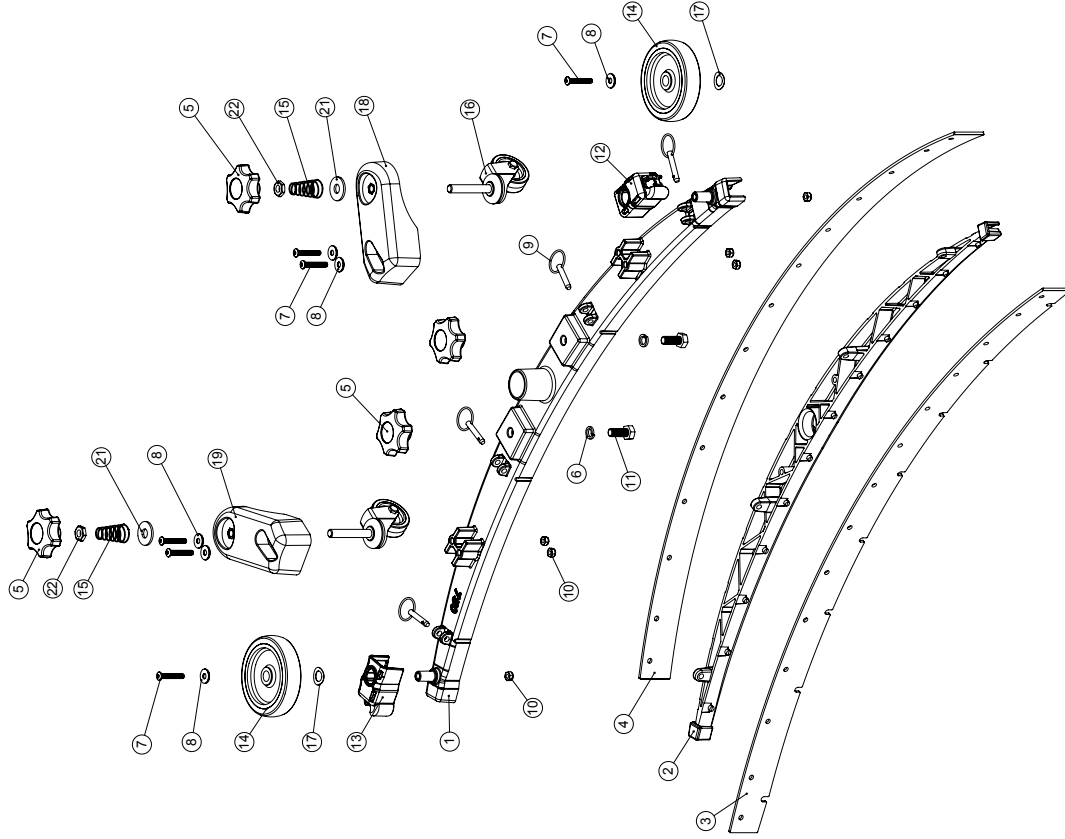
| ITEM: | PART No: | DESCRIPTION | COMMENTS: |
|-------|----------|---------------------------------------|----------------------|
| 1 | 900398 | HANDLE CASTING MACHINED (HNS VERSION) | |
| 2 | 900397 | MINI ADJUSTMENT GEAR | |
| 3 | 224073 | GEAR SOCKLING PIN | |
| 4 | 224461 | 440MM HANDLE LOCKING ROD | |
| 5 | 224461 | 440MM HANDLE LOCKING ROD | |
| 6 | 215039 | M8 FORM A STAINLESS STEEL WASHER | |
| 7 | 229099 | 25MM DIA HOLE PLUG | |
| 8 | 218578 | M8 FORM A STAINLESS STEEL WASHER | |
| 9 | 227576 | M8 HALF NUT | |
| 10 | 225208 | FRONT INNER HALF MOLDING | FOR HT MODELS 237542 |
| 11 | 225209 | FRONT INNER HALF MOLDING (FR) | CSA SPEC |
| 12 | 225210 | FRONT INNER HALF MOLDING (FR) | FOR HT MODELS 237543 |
| 13 | 229748 | MODIFIED FRONT MOUNTING BRACKET (FR) | CSA SPEC |
| 14 | 229748 | FRONT COVER MOLDING (MAINS & BATTERY) | |
| 15 | 229750 | FRONT COVER MOLDING (C/B HOLE) | |
| 16 | 229751 | FRONT COVER MOLDING (C/B HOLE) | |
| 17 | 229752 | FRONT COVER MOLDING (C/B HOLE) | |
| 18 | 229753 | FRONT COVER MOLDING (C/B HOLE) | |
| 19 | 229754 | FRONT COVER MOLDING (C/B HOLE) | |
| 20 | 229755 | FRONT COVER MOLDING (C/B HOLE) | |
| 21 | 229756 | FRONT COVER MOLDING (C/B HOLE) | |
| 22 | 229757 | FRONT COVER MOLDING (C/B HOLE) | |
| 23 | 229758 | FRONT COVER MOLDING (C/B HOLE) | |
| 24 | 229759 | FRONT COVER MOLDING (C/B HOLE) | |
| 25 | 229760 | FRONT COVER MOLDING (C/B HOLE) | |
| 26 | 229761 | FRONT COVER MOLDING (C/B HOLE) | |
| 27 | 229762 | FRONT COVER MOLDING (C/B HOLE) | |
| 28 | 229763 | FRONT COVER MOLDING (C/B HOLE) | |
| 29 | 229764 | FRONT COVER MOLDING (C/B HOLE) | |
| 30 | 229765 | FRONT COVER MOLDING (C/B HOLE) | |
| 31 | 229766 | FRONT COVER MOLDING (C/B HOLE) | |
| 32 | 229767 | FRONT COVER MOLDING (C/B HOLE) | |
| 33 | 229768 | FRONT COVER MOLDING (C/B HOLE) | |
| 34 | 229769 | FRONT COVER MOLDING (C/B HOLE) | |
| 35 | 229770 | FRONT COVER MOLDING (C/B HOLE) | |
| 36 | 229771 | FRONT COVER MOLDING (C/B HOLE) | |
| 37 | 229772 | FRONT COVER MOLDING (C/B HOLE) | |
| 38 | 229773 | FRONT COVER MOLDING (C/B HOLE) | |
| 39 | 229774 | FRONT COVER MOLDING (C/B HOLE) | |
| 40 | 229775 | FRONT COVER MOLDING (C/B HOLE) | |
| 41 | 229776 | FRONT COVER MOLDING (C/B HOLE) | |
| 42 | 229777 | FRONT COVER MOLDING (C/B HOLE) | |
| 43 | 229778 | FRONT COVER MOLDING (C/B HOLE) | |
| 44 | 229779 | FRONT COVER MOLDING (C/B HOLE) | |
| 45 | 229780 | FRONT COVER MOLDING (C/B HOLE) | |
| 46 | 229781 | FRONT COVER MOLDING (C/B HOLE) | |
| 47 | 229782 | FRONT COVER MOLDING (C/B HOLE) | |
| 48 | 229783 | FRONT COVER MOLDING (C/B HOLE) | |
| 49 | 229784 | FRONT COVER MOLDING (C/B HOLE) | |
| 50 | 229785 | FRONT COVER MOLDING (C/B HOLE) | |
| 51 | 229786 | FRONT COVER MOLDING (C/B HOLE) | |
| 52 | 229787 | FRONT COVER MOLDING (C/B HOLE) | |
| 53 | 229788 | FRONT COVER MOLDING (C/B HOLE) | |
| 54 | 229789 | FRONT COVER MOLDING (C/B HOLE) | |
| 55 | 229790 | FRONT COVER MOLDING (C/B HOLE) | |
| 56 | 229791 | FRONT COVER MOLDING (C/B HOLE) | |
| 57 | 229792 | FRONT COVER MOLDING (C/B HOLE) | |
| 58 | 229793 | FRONT COVER MOLDING (C/B HOLE) | |
| 59 | 229794 | FRONT COVER MOLDING (C/B HOLE) | |
| 60 | 229795 | FRONT COVER MOLDING (C/B HOLE) | |
| 61 | 229796 | FRONT COVER MOLDING (C/B HOLE) | |
| 62 | 229797 | FRONT COVER MOLDING (C/B HOLE) | |
| 63 | 229798 | FRONT COVER MOLDING (C/B HOLE) | |
| 64 | 229799 | FRONT COVER MOLDING (C/B HOLE) | |
| 65 | 229800 | FRONT COVER MOLDING (C/B HOLE) | |
| 66 | 229801 | FRONT COVER MOLDING (C/B HOLE) | |
| 67 | 229802 | FRONT COVER MOLDING (C/B HOLE) | |
| 68 | 229803 | FRONT COVER MOLDING (C/B HOLE) | |
| 69 | 229804 | FRONT COVER MOLDING (C/B HOLE) | |
| 70 | 229805 | FRONT COVER MOLDING (C/B HOLE) | |
| 71 | 229806 | FRONT COVER MOLDING (C/B HOLE) | |
| 72 | 229807 | FRONT COVER MOLDING (C/B HOLE) | |
| 73 | 229808 | FRONT COVER MOLDING (C/B HOLE) | |
| 74 | 229809 | FRONT COVER MOLDING (C/B HOLE) | |
| 75 | 229810 | FRONT COVER MOLDING (C/B HOLE) | |
| 76 | 229811 | FRONT COVER MOLDING (C/B HOLE) | |
| 77 | 229812 | FRONT COVER MOLDING (C/B HOLE) | |
| 78 | 229813 | FRONT COVER MOLDING (C/B HOLE) | |
| 79 | 229814 | FRONT COVER MOLDING (C/B HOLE) | |
| 80 | 229815 | FRONT COVER MOLDING (C/B HOLE) | |
| 81 | 229816 | FRONT COVER MOLDING (C/B HOLE) | |
| 82 | 229817 | FRONT COVER MOLDING (C/B HOLE) | |

Numatic International Spare Parts

Model No: 750 TWINTEC ALUMINIUM FLOOR TOOL (38MM HOSE)

606257 577947 599441 900480
 DRAWING: DRW-18076 ISS:A10
 08/08/2019

NB: FOR WIRING SEE DRAWING: N/A



Numatic International Spare Parts

Model No: 750 TWINTEC ALUMINIUM FLOOR TOOL (38MM HOSE)

| ITEM: | PART No: | DESCRIPTION | QTY. |
|-------|-----------|--|------|
| 1 | 208637 | (750MM SCRUB WIDTH) ALUMINIUM SQUEEGEE CASTING (38MM HOSE FITTING) | 1 |
| 2 | 237624 | (750MM SCRUB WIDTH) BLADE HOLDER MouldING (SLOPING PROFILE) (32MM & 38MM HOSE FITTING) | 1 |
| 3 | SEE TABLE | 750MM SCRUB WIDTH REPLACEMENT FRONT BLADE (968MM LONG) | 1 |
| 4 | SEE TABLE | 750MM SCRUB WIDTH REPLACEMENT REAR BLADE (1000MM LONG) | 1 |
| 5 | 903281 | M10 LOBE KNOB (RED) | 4 |
| 6 | 219899 | M10 SINGLE COIL STAINLESS STEEL WASHER | 2 |
| 7 | 219933 | M6 X 35MM SOCKET BUTTON HEAD BOLT STAINLESS STEEL | 6 |
| 8 | 219647 | M6 FORM G STAINLESS STEEL WASHER | 6 |
| 9 | 208953 | DETENT PINS | 4 |
| 10 | 219642 | M6 STAINLESS STEEL NYLON INSERT NUT | 6 |
| 11 | 219909 | M10 X 25MM LONG HEXAGONAL STAINLESS STEEL SCREW | 2 |
| 12 | 237322 | RIGHT HAND FLOOR TOOL CLIP MouldING | 1 |
| 13 | 237323 | LEFT HAND FLOOR TOOL CLIP MouldING | 1 |
| 14 | 208796 | 4 INCH WHEEL | 2 |
| 15 | 229175 | CONICAL SPRING | 2 |
| 16 | 907759 | 50MM DIAMETER GREY TPR TYRED SWIVEL CASTOR C/W M10 X 60 SWAGED STEM. | 2 |
| 17 | 219891 | 13MM WAVEY WASHER | 2 |
| 18 | 908860 | ADJUSTABLE FLOOR TOOL CASTOR PLASTIC PLATE LEFT | 1 |
| 19 | 908859 | ADJUSTABLE FLOOR TOOL CASTOR PLASTIC PLATE RIGHT | 1 |
| 20 | 219903 | M10 FORM A STAINLESS STEEL WASHER | 2 |
| 21 | 291124 | M10 PENNY WASHER STAINLESS STEEL | 2 |
| 22 | 219951 | A4 (STAINLESS STEEL) M10 HEX LOCK NUT (HALF NUT) | 2 |

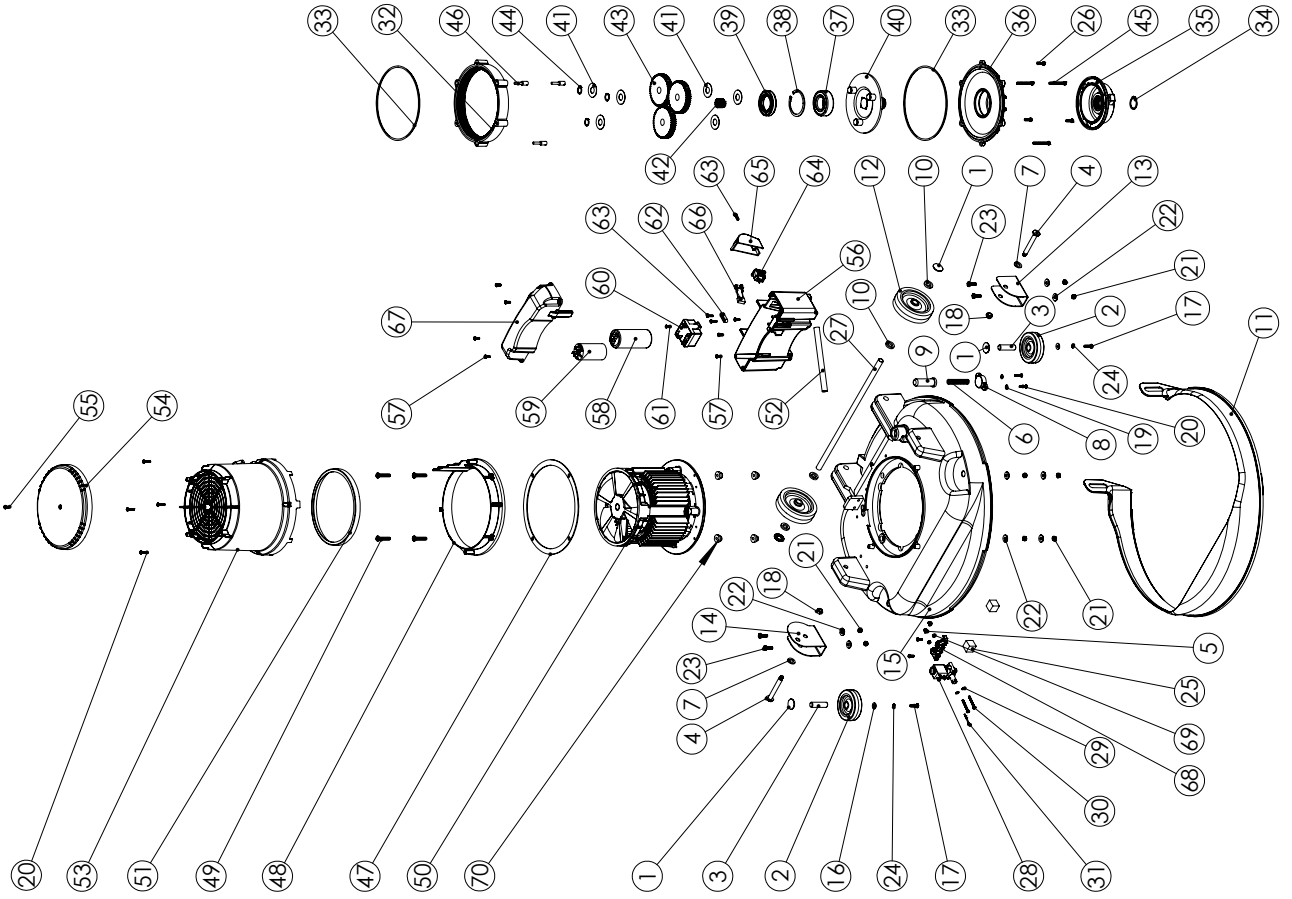
| BLADE | FRONT | REAR |
|---|--------|--------|
| POLYURETHANE 43 SHORE A | 208641 | 208642 |
| POLYURETHANE 50 SHORE A | 208643 | 208644 |
| LINATEX NATURAL RUBBER 40 SHORE A | 208639 | 208640 |
| SERILOR® CLEAN POLYURETHANE FRONT: 40 SHORE A / REAR: 35-45-35 SHORE A | 208968 | 208971 |

Numatic International Spare Parts

Model No: TT4055 HURRICANE MOTOR 550MM DECK ASSEMBLY 230V 50Hz

WD NOTE: FOR WIRING DIAGRAM DETAILS SEE DRAWING DRW-39881 (PART No.915724)

916900
DRAWING: DRW-41414 ISS-A03
07/06/2024



Numatic International Spare Parts

Model No: TT4055 HURRICANE MOTOR 550MM DECK ASSEMBLY 230V 50Hz

| ITEM: PART No: | Description | QTY. |
|----------------|---|------|
| 1 | 204021 12.7MM STAINLESS STEEL HUB CAP | 4 |
| 2 | 204068 3 INCH GREY WHEEL | 2 |
| 3 | 206013 BUFFER WHEEL PIN | 2 |
| 4 | 208626 TIT/TTB4055 PIVOT PIN | 2 |
| 5 | 219009 IM4 BRASS TAPPEX INSERT | 2 |
| 6 | 219892 COMPRESSION SPRING | 1 |
| 7 | 219903 IM10 FORM A STAINLESS STEEL WASHER | 2 |
| 8 | 223242 PLUNGER MOUNTING PLATE Moulding | 1 |
| 9 | 229128 PLUNGER Moulding BLACK | 1 |
| 10 | 229546 SPACER | 4 |
| 11 | 229562 SPLASH SKIRT Moulding | 1 |
| 12 | 329187 100MM WHEEL (MODIFIED) | 2 |
| 13 | 392279 DECK MOUNT RH (550 DECK VERSION) | 1 |
| 14 | 392248 DECK MOUNT BRACKET | 1 |
| 15 | 304404 TTB4055 DECK Moulding DRILLED (NEW DESIGN) | 1 |
| 16 | 219644 IM5 FORM G STAINLESS STEEL WASHER | 2 |
| 17 | 219571 IM5 X 20MM LONG POZI PAN STAINLESS STEEL SCREW | 2 |
| 18 | 219639 IM8 STAINLESS STEEL NYLON INSERT NUT | 2 |
| 19 | 219355 IM5 FORM A STAINLESS STEEL WASHER | 2 |
| 20 | 219668 IM08.34 INCH LG POZI-PAN SCREW STAINLESS STEEL PLASTITTE | 6 |
| 21 | 219642 IM6 STAINLESS STEEL NYLON INSERT HALF NUT | 8 |
| 22 | 219647 IM6 FORM G STAINLESS STEEL WASHER | 8 |
| 23 | 219701 IM6 X 20MM LONG POZI PAN STAINLESS STEEL SCREW | 4 |
| 24 | 219016 IM5 SHAKEPROOF WASHER | 2 |
| 25 | 902552 FOAM SPACER 20MM | 2 |
| 26 | 219904 IM5 X16MM LONG HEXAGONAL STAINLESS STEEL BOLT | 3 |
| 27 | 391439 1/2 INCH DIAMETER X 18G STAINLESS STEEL TUBE (0.375) | 1 |
| 28 | 220348 SOLENOID VALVE 240V 50/60HZ | 1 |
| 29 | 219688 IM4 FORM A STAINLESS STEEL WASHER | 2 |
| 30 | 219703 IM4 X 35MM LONG STAINLESS STEEL POZI PAN SCREW | 2 |
| 31 | 219251 REPLACEMENT MPM CONNECTOR IM3 SCREW | 1 |
| 32 | 214115 GEAR BOX MID SECTION | 2 |
| 33 | 230001 60 Degree Oil V Seal | 1 |
| 34 | 230048 28MM EXTERNAL CIRCLIP | 1 |
| 35 | 230207 DIE CAST CHUCK MACHINED | 1 |
| 36 | 230208 DIE CAST BOTTOM PLATE ASSY | 1 |
| 37 | 230094 62MM O.D X 30MM I.D X 20MM BEARING (WITH SEALS) | 1 |
| 38 | 230200 62MM INTERNAL CIRCLIP | 1 |
| 39 | 230158 VITON OIL SEAL (BROWN) | 1 |
| 40 | 230291 PLANET CARRIER & PIN ASSEMBLY (50HZ STANDARD SPEED) | 1 |
| 41 | 230215 95MM X 15 I.D ALUMINIUM WASHER | 6 |
| 42 | 230027 12 TOOTH PINION GEAR (STANDARD SPEED) | 1 |
| 43 | 230013 48 TOOTH SPUR GEAR (STANDARD SPEED 50/60HZ) | 3 |
| 44 | 230015 15MM EXTERNAL CIRCLIP | 3 |
| 45 | 219706 IM5 X 45MM LONG STAINLESS STEEL HEXAGONAL BOLT | 3 |
| 46 | 208207 GEARBOX FASTENER WITH SLOT | 3 |
| 47 | 906405 HFM MOTOR SPLASH GUARD | 1 |
| 48 | 237495 BOTTOM SECTION Moulding (GRAPHITE) | 1 |
| 49 | 219643 IM6 X 35MM LONG STAINLESS STEEL POZI PAN SCREW | 1 |
| 50 | 908022 FIR R60 INDUCTION MOTOR 2100/1500W 230V 50Hz | 1 |
| 51 | 237412 HFM TOP MOTOR GASKET | 1 |
| 52 | 330086 MOTOR WIRE SLEEVE | 1 |
| 53 | 330180 HFM MID SECTION Moulding PRINTED (1500W) (GRAPHITE) | 1 |
| 54 | 237503 HFM LID Moulding (HFM) | 1 |
| 55 | 219471 IM4 X 12MM LONG POZI PAN SEMS SCREW | 1 |
| 56 | 917270 TT CAPACITOR BOX BOTTOM Moulding C/W 2 INSERTS (GRAPHITE) | 1 |
| 57 | 219669 IM8 X 1/2 INCH LONG POZI PAN STAINLESS STEEL PLASTITTE SCREW | 9 |
| 58 | 205098 MOTOR START CAPACITOR 450-516uF | 1 |
| 59 | 208927 MOTOR RUN CAPACITOR 25 MFD 450V | 1 |
| 60 | 208922 110/120V VOLTAGE RELAY | 1 |
| 61 | 291061 IM6 X 1/2 INCH LONG POZI PAN PLASTITTE SCREW (STAINLESS STEEL) | 1 |
| 62 | 227008 BLACK CABLE CLAMP | 1 |
| 63 | 219814 IM6 X 5/8 INCH LONG POZI-PAN PLASTITTE STAINLESS STEEL SCREW | 3 |
| 64 | 220584 RENDAR CLIP IN PLUG | 1 |
| 65 | 229213 PLUG COVER | 1 |
| 66 | 230158 SUPPRESSOR ASSEMBLY | 1 |
| 67 | 917285 CAPACITOR BOX UPPER (GRAPHITE) | 1 |
| 68 | 902556 SOLENOID MOUNT Moulding | 1 |
| 69 | 219687 IM4 STAINLESS STEEL NYLON INSERT NUT | 1 |
| 70 | 229285 MOTOR MOUNTING SPACER | 4 |

Numatic International Limited (Head Office)

Chard, Somerset TA20 2GB, UNITED KINGDOM

Tel: 01460 68600 numatic.com

Numatic International GmbH

Fränkische Straße 15-19, 30455 Hannover, DEUTSCHLAND

Tel: +49 (0) 511 984 2160 numatic.de

Numatic International Denmark

Fränkische Straße 15-19, 30455 Hannover, DEUTSCHLAND

Tel: +45 (0) 316 40808 numatic-online.dk

Numatic International S.A.S

13/17 rue du Valengelier, EAE la Tuilerie, 77500 Chelles, FRANCE

Tel: +33 (0) 164 726 161 numatic.fr

Numatic International BV

Vennootsweg 15, 2404 CG, Alphen aan den Rijn, NEDERLAND

Tel: +31 (0) 172 467 999 numatic.nl

Numatic International Schweiz AG.

Sihlbruggstrasse 3A, 6340 Baar, SCHWEIZ

Tel: +41 (0) 41 768 0760 numatic.ch

Numatic International (PTY) Ltd.

Cnr. 16th & Pharmaceutical Road, Randjes Park, Midrand 1685, SOUTH AFRICA

Tel: +27 (0) 861 686 284 numatic.co.za

Numatic International ULDA

Rua Francisco da Silva Duarte, nº79,

4475-269 Santa Maria de Avioso, Castelo da Maia, PORTUGAL

Tel: +351 220 047 700 numatic.pt

Numatic International Spain, S.L.U.

Av. Baix Llobregat, 5-7, Oficina bajos 1 (Parc Negocis Mas Blau II)

08820 El Prat de Llobregat (Barcelona), SPAIN

Tel: +34 93 647 22 22 numatic.es

Numatic International Italy S.R.L

Via Luigi Galvani, 2, Z.I. Talponedo, 33080 Porcia (PN), ITALY

Tel: +39 (0) 434 046 211 numatic.it