

■ Quick reference table for combination of manual call point (Flat type)

Product model	Manual call point		PPH Flat set	PPH Mounting adapter	PPH Mounting adapter packing	PPH Outdoor surface box	Surface box	PPH Rainproof cover	PPH Protective cover	PPE Protective cover	
	Type										
Mounting method	P-1 type	PPH-1	YYI-PPH-A	YYI-PPH-B	YYI-PPH-D	YYI-PPH-C	PPE-B	YYF-E	GD-PPH	GD-PPE	
		PPH-1W									
		P-2 type	PPH-2								
			PPH-2W								
Flat mounting (Fire hydrant)		○	○					▲ For outdoor ※ Attach to the back of the flat set			
Front-side mounting (Wall surface)		○		○		▲ For outdoor	△ For indoor				
Front-side mounting ① (Fire hydrant) (New installation) (Front mounting)		○						▲ For outdoor * Attach to the back of the door	Use depending on the necessity		
Front-side mounting ② (Fire hydrant) (Renewal) (Front mounting)		○		○	▲ For outdoor			▲ For outdoor * Attach to the back of the door	Use depending on the necessity		
Surface mounting ③ (Wall surface) (Renewal) (Front mounting)		○		○	▲ For outdoor				Use depending on the necessity		

■ The fire alarm position is securely recognized in all directions day and night with soft light.

The indicator lamp is visible from all directions, while the protruding of flat mounting is designed as only 1 mm (front-side mounting: 17 mm).

■ Flat mounting (view from approximately 15° against from the wall)

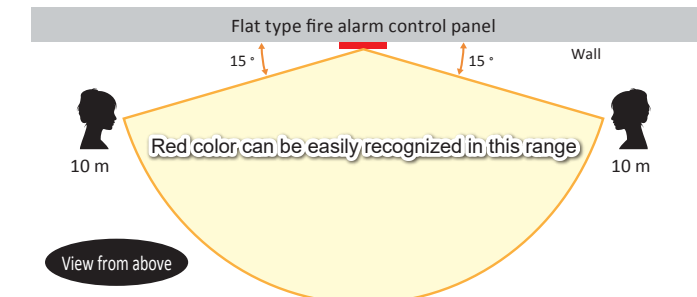


Check! ■ Compliant with Fire Service Act Enforced Regulations Article 24, Item 1, Paragraph 8-2, No. 2

\*This is Japanese Regulation.

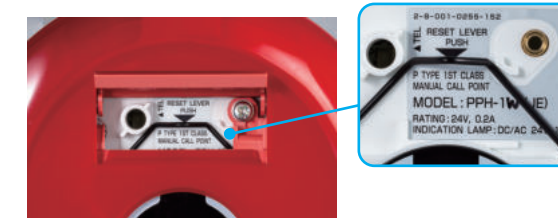
"The indicator lamp should be in red light, and should be easily recognized from the angle of 15° and 10 m distance."

■ Front-side mounting (view from approximately 15° against from the wall)



■ Other features

Product information can be confirmed by opening the device nameplate.



■ P-1 type manual call point (Flat type) product lineup

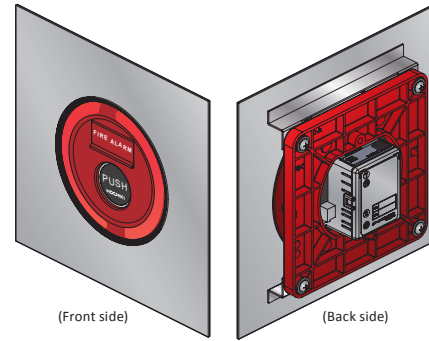
Selection can be made according to the installation environment such as indoor and outdoor types.

Product model		PPH-1 (JE)	PPH-1W (JE)	PPH-2 (JE)	PPH-2W (JE)
Manual call point	Type	P-1 type manual call point (polar)		P-2 type manual call point	
	Operating voltage	Indoor type 24V 0.2A	Outdoor type 24V 0.2A	Indoor type 24V 0.2A	Outdoor type 24V 0.2A
	External dimensions	φ121 mm (including indicator lamp)			
	Polarity	Polar		-	
Indicator lamp	Rated voltage	DC / AC24V			
	Current consumption	15mA			
Compatible with fire alarm control type	P-1 type fire alarm control panel (RPR, RPS, RPQ, RPV series, etc.) * 1		P-2 type fire alarm control panel (RPP-EDW)		
Accessories	Installation manual, Sems screw M4 × 12 (2 pieces)				
Weight	195 g				
Material	Self-extinguishing resin				
Color	Red				
Operating temperature range	-10 to 50 °C	-20 to 70 °C	-10 to 50 °C	-20 to 70 °C	

\* 1: Please contact us if any other fire alarm control panel is connected.

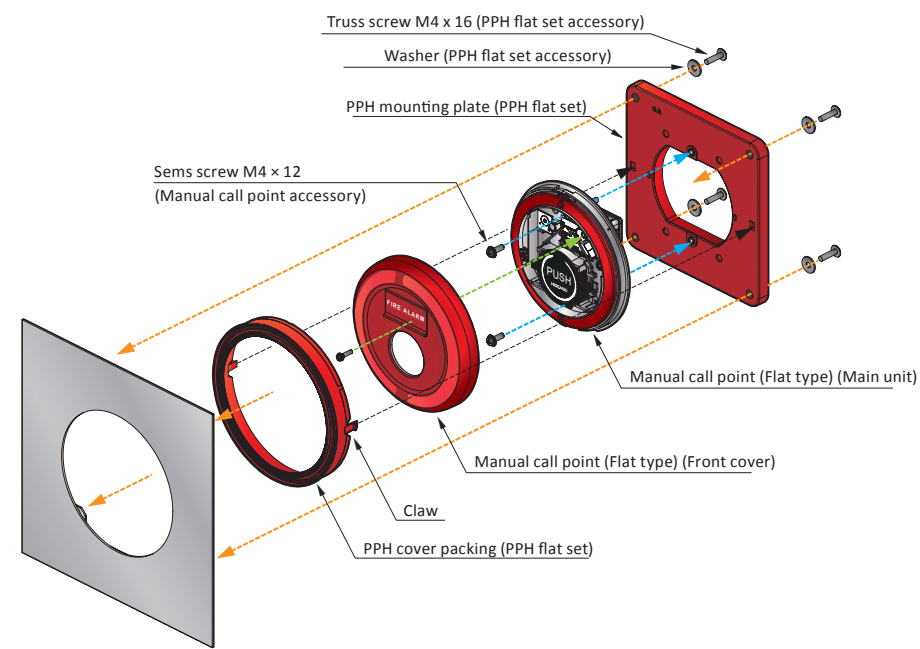
## Manual call point (Flat type) mounting

Mounting image



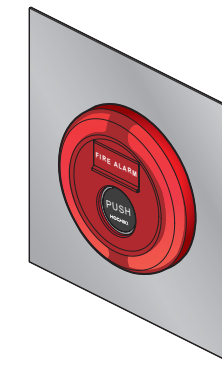
### Mounting method

- 1 Fix the manual call point on the mounting plate with the M4 sems screw attached.
- 2 Mount the PPH cover packing by attaching the PPH cover packing claws to the PPH mounting plate.



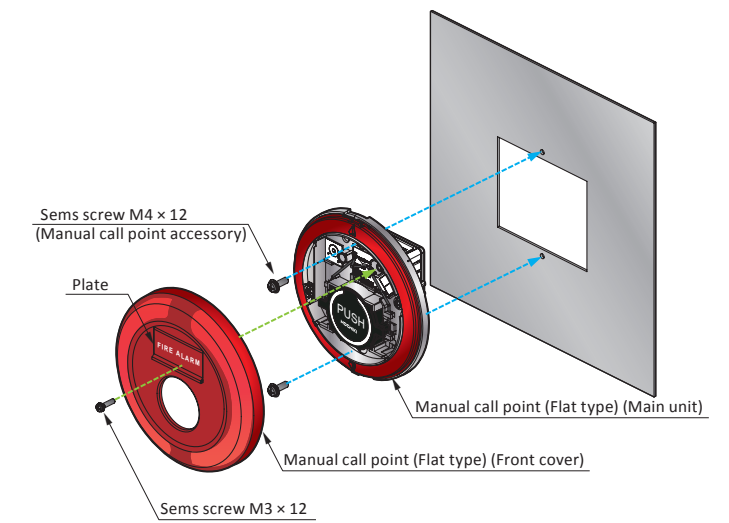
## Front-side mounting ①

Mounting image



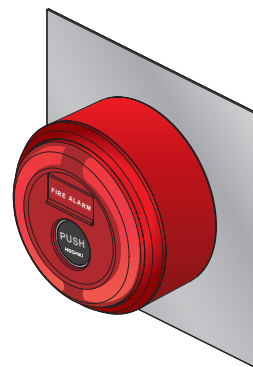
### Mounting method

- 1 Open the plate, remove the M3 sems screw, and turn the front cover counterclockwise to remove it from the parts board.
- 2 Fix the manual call point (Flat type) to the fire hydrant with the M4 sems screw attached.
- 3 Attach the front cover in the reverse order of 1.



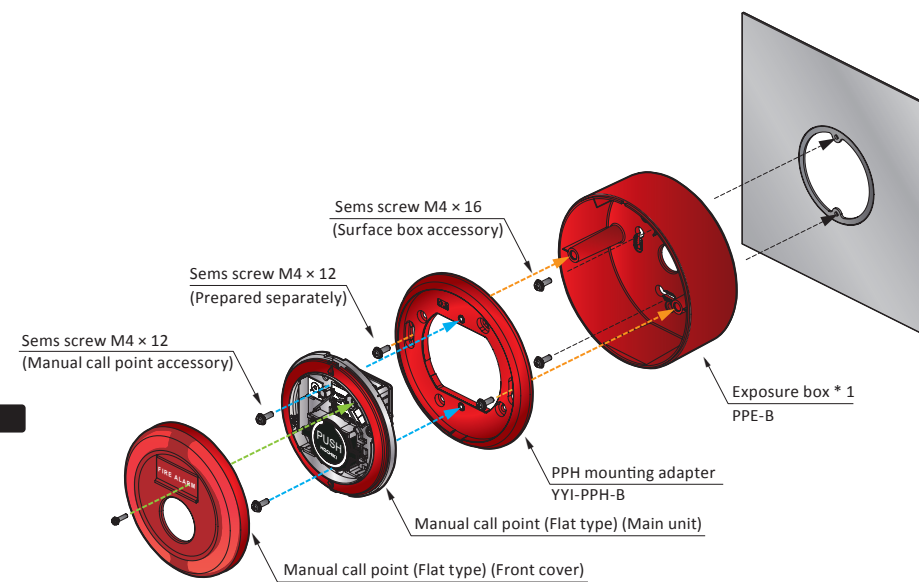
## Surface mounting (Indoor type)

Mounting image



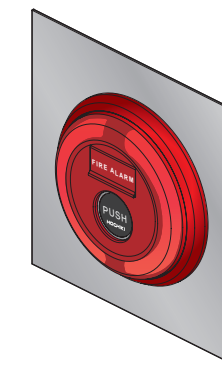
### Mounting method

- 1 Fix the surface box to the outlet box with the M4 sems screw supplied with the surface box.
- 2 Fix the PPH mounting adapter to the surface box with the M4 sems screws.
- 3 Mount the manual call point (Flat type) to the mounting adapter.



## Front-side mounting (When renewal) ②③

Mounting image



### Mounting method

- 1 Fix the mounting adapter to the fire hydrant or outlet box with M4 sems screw.
- 2 Open the plate, remove the M3 sems screw, and turn the front cover counterclockwise to remove it from the parts board.
- 3 Fix the manual call point to a fire hydrant with the M4 sems screw attached.
- 4 Attach the front cover in the reverse order of 2.

