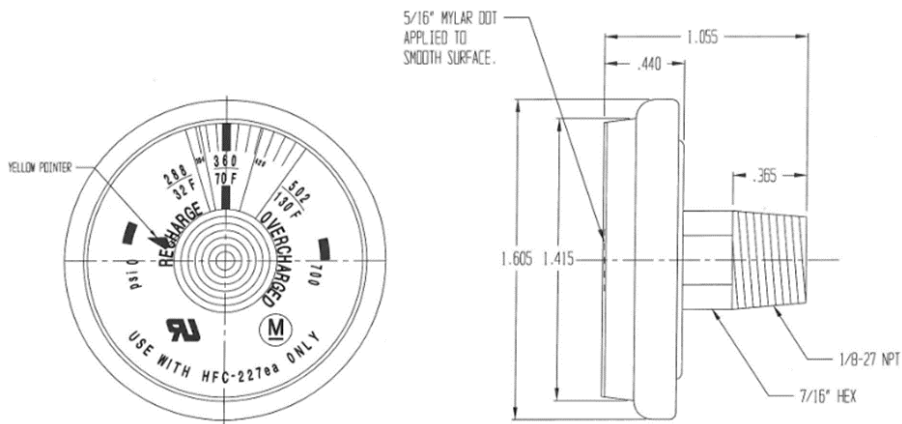


Pressure Gauge

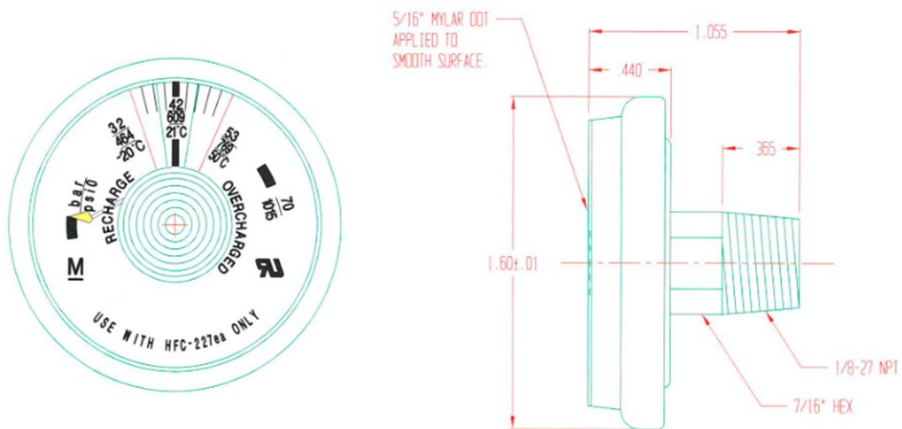
SG-227EA Fire Extinguishing System

Specification

General Description	Indicator for pressure of cylinder
4VcZMReZ_?`Z	EX28621
>ReVGRJA	Stainless Steel/Polycarbonate



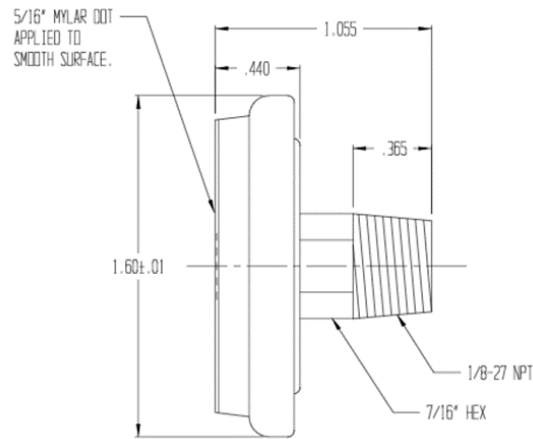
25 Bar Pressure Gauge



42 Bar Pressure Gauge

Pressure Gauge

SG-227EA Fire Extinguishing System



50 Bar Pressure Gauge

Part Number	SG170-PG-25B-HFC	SG170-PG-42B-HFC	SG170-PG-50B-HFC
Type	Spring Tube Manometer	Spring Tube Manometer	Spring Tube Manometer
Pressure	25 Bar	42 Bar	50 Bar
Temperature Range	-10 °C to 60 °C	-10 °C to 60 °C	-10 °C to 60 °C
Connection to Valve	1/8" NPT	1/8" NPT	1/8" NPT