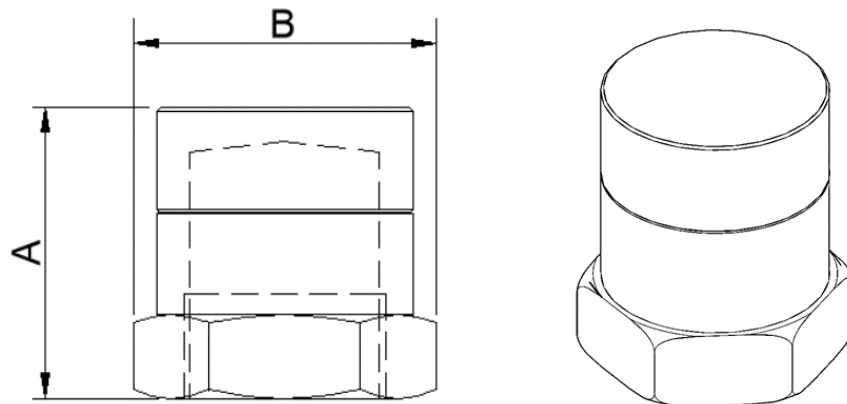


Discharge Nozzle

SG-227EA Fire Extinguishing System



Specification

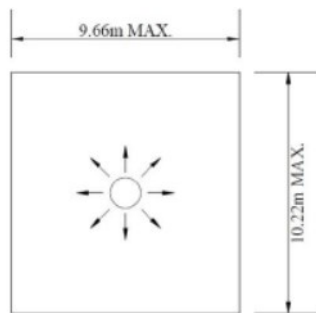
General Description	7 c\$! d VRdV" VRXV_ei8 Y" JvV'
4VceZMReZ _ ?` Z	EX28621
> ReVcZrjA	3dRddA

Part No.	Material	Sizes (inches)	A (mm)	B (mm)	Allowable Orifice Size (mm)
SG075-BR-015-UL	Brass	1/2"	45	31.75	2.2 – 4.9
SG075-BR-020-UL		3/4"	45	38.10	3.4 – 6.6
SG075-BR-025-UL		1"	56	44.45	4.3 – 8.4
SG075-BR-032-UL		1-1/4"	65	50.80	5.6 – 11.0
SG075-BR-040-UL		1-1/2"	70	63.50	6.5 – 12.9
SG075-BR-050-UL		2"	88	76.20	8.4 – 16.6

Discharge Nozzle

SG-227EA Fire Extinguishing System

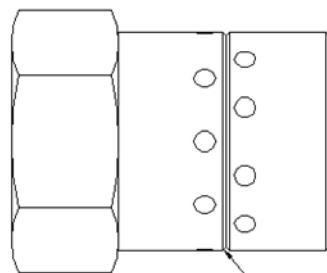
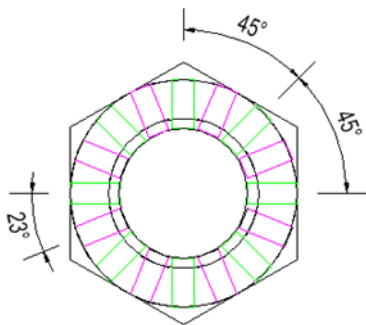
Technical Details



360 Discharge Pattern
Nozzle Area Coverage

- Maximum area coverage is 98.7m²
- Maximum nozzle height coverage is 4.87m
- Maximum distance between nozzles should not exceed 10.22m
- 300mm minimum void height

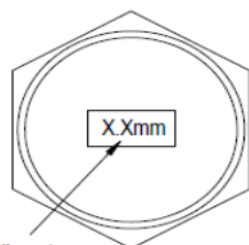
Drilling Details



360° Discharge pattern.
Drill 8 holes at 45° angle on each groove with the bottom holes angled at 23° off the top set.
Total orifice holes is 16, size to be determined by computer calculations.

0.5 MM GROOVE LINE MARKING AS CENTER POINT REFERENCE TO DRILL ORIFICE HOLE

Marking Details



Orifice diameter engraved at the base of the nozzle